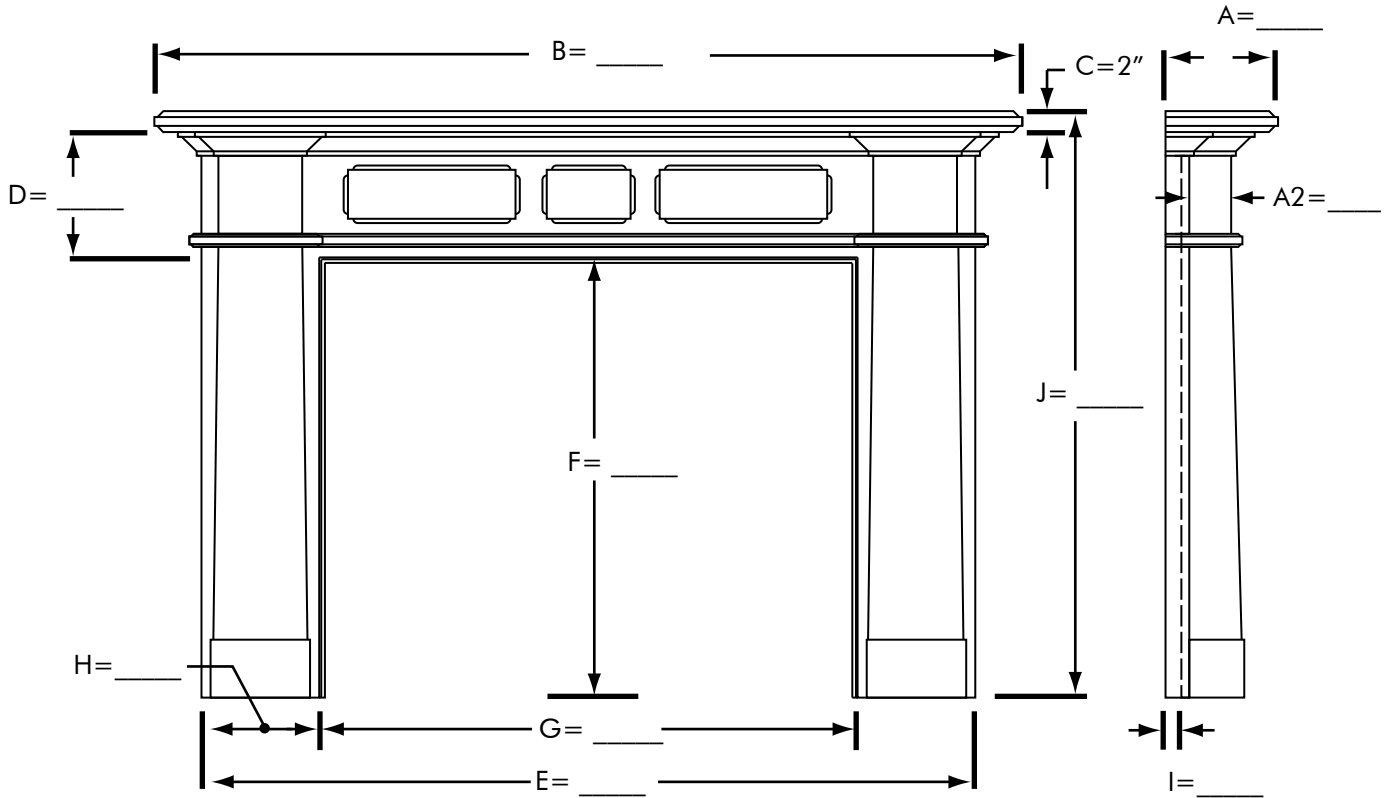


Craftsman Mantel

- Paint grade
- Red oak
- White Oak
- Maple
- Cherry
- Mahogany
- _____

****Purchaser is required to check the measurements below for compliance with local code requirements. McCoy Millwork is not responsible for verifying code specifications.****

Name _____
 Phone: _____
 PO# _____
 Order # _____



Please fill in all dimensions for a Craftsman Mantel:

A = I + A2 plus at least 4½", 6" is much better.
 A2= Depth of box leg, measured outside at the top of leg (min. 1-1/2")
 B=E plus at least 6-1/2". 7" is better.
 C=2"
 D=at least 11", 12" or more is better.
 E=G+2(H)
 F & G measurements do not include opening trim.
 H=Leg dimension, about 11", 10" minimum.
 I is ALWAYS an interior, mantel cavity dimension.
 This is the depth of the masonry to be covered.
 Min. 3/4" for French Cleat.

Extras & Options

- Extra deep opening trim _____
- Top shelf (A) more than 12" _____
- Top shelf (A) more than 18" _____
- Top shelf (A) more than 24" _____
- Height (J) more than 60" _____
- No MDF _____
- Osmo clear coat _____

NO RETURNS ON SPECIAL ORDER MANTELS

Please examine this order. Any changes must be made in writing. A signature below indicates the above information will be processed accordingly.

X _____

Mantel	+
Delivery	+
Add ons	+
Deposit	-
Total	

ALL PAINT GRADE MANTELS MAY BE PARTIALLY MADE WITH MDF.
 FINISH AND INSTALLATION ON JOB SITE BY PURCHASER
 NO CANCELATIONS - NO RETURNS

McCoy Millwork
 Ph: 503-236-0995 Fax: 503-236-2360
 www.mccoymillwork.com