



# Section A - Crowns & Picture Rails



## McCOY MILLWORK

Custom Shop Services

For custom profiles pricing is determined by the chosen species of wood and quantity. Provide the following:

1. A sample or scale drawing of the profile.
2. Amount of moulding needed in Lineal Feet.
3. Preferred species of wood.
4. Preferred final finish (paint or stain).

Send us your information via email or come in for a quote. You can expect to hear from us regarding pricing in 2 days.

Manufacturing time varies: 2 days-2 weeks.

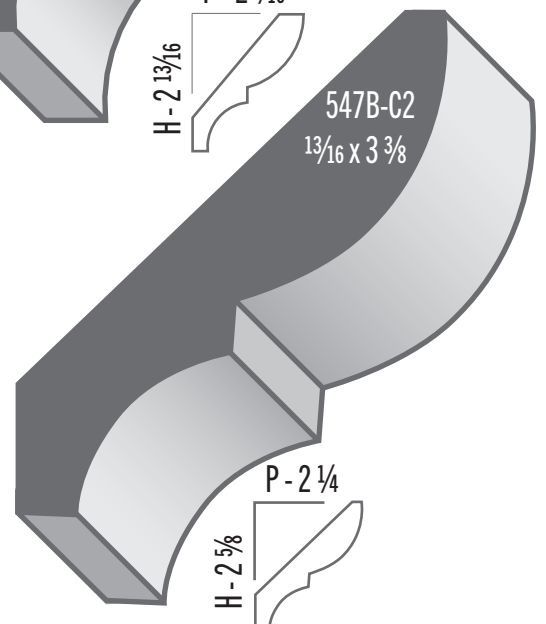
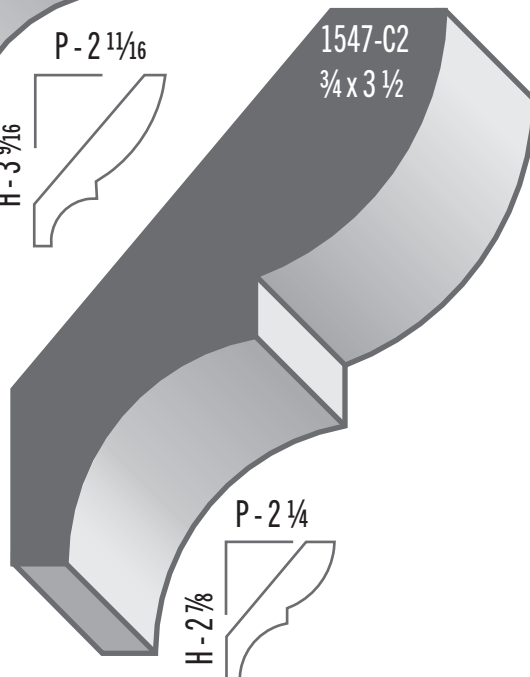
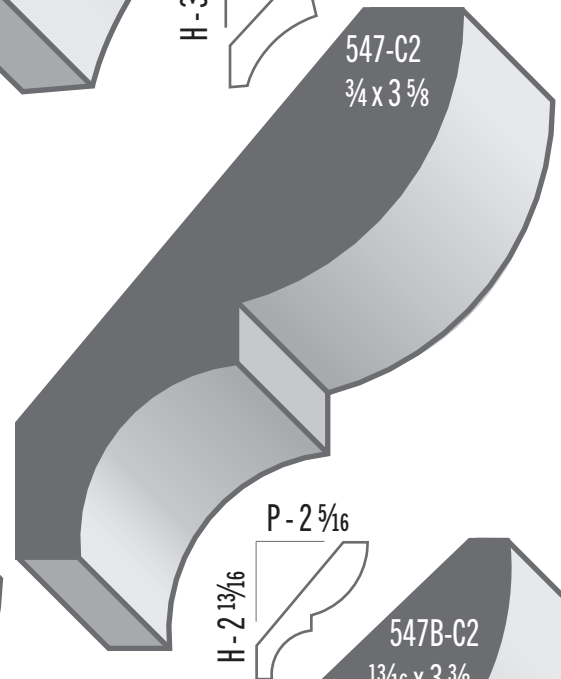
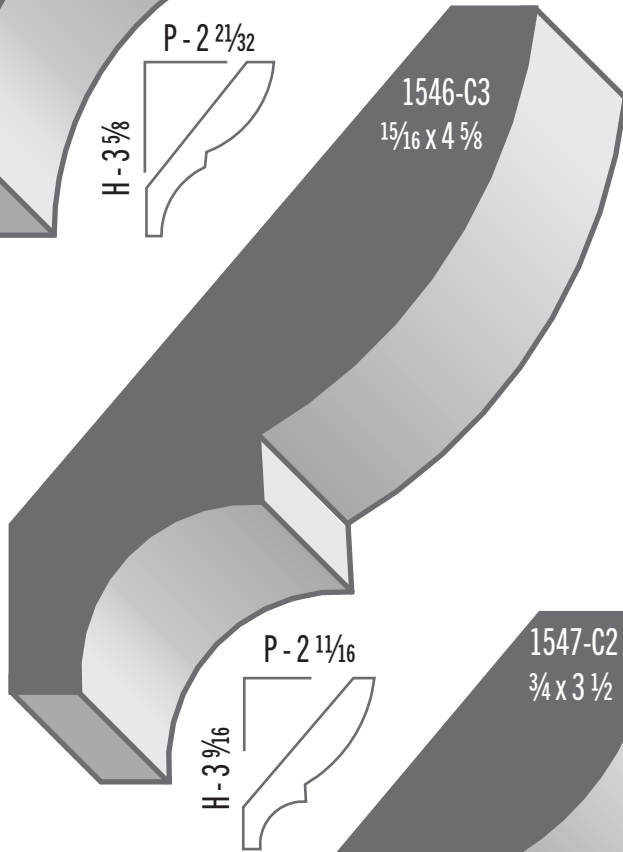
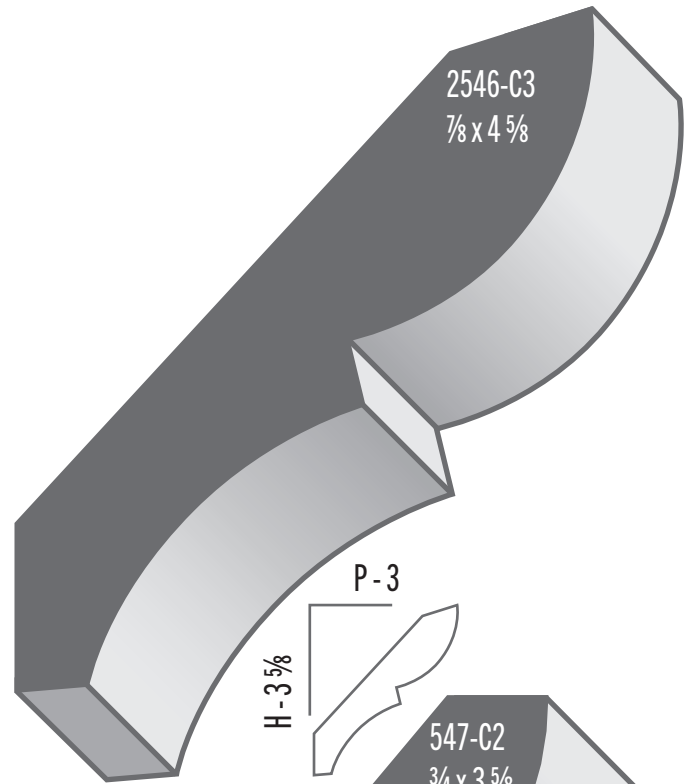
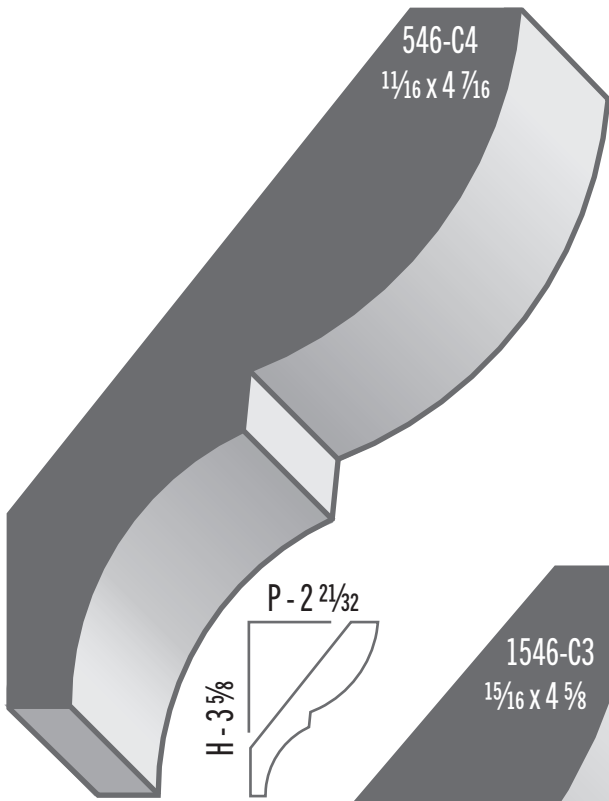
Profile #	Pg #	Profile #	Pg #	Profile #	Pg #	Profile #	Pg #
040 C4 Crown	24	510-C2 Cove	27	558-C4 Cove Crown	31	643-C2 Crown	14
043-C4 Crown	9	511B-C2 Crown	8	570B-C4 Crown	7	643-C3 Crown	13
132-R2 Picture Rail	36	511-C2 Cove	27	570-C4 Crown	6	644-C2 Crown	20
303-C1* Cove	32	511C-C2 Crown	8	571-C4 Crown	10	645-C3 Crown	14
304-C1 Cove	32	511D-C2 Crown	8	572-C4 Crown	10	646-C4 Crown	9
305-C2* Cove	32	511E-C2 Crown	8	573-C4 Crown	7	647-C4 Crown	28
306-C2* Cove	32	514-C2 Crown	8	574-C4 Crown	6	648-C3 Crown	26
307-C2 Cove	31	515-C2* Crown	8	575-C4 Crown	6	649-C4 Crown	28
308A-C2 Cove	31	519-C2 Crown	8	576-C4 Crown	14	650B-C4 Crown	25
308-C2 Cove	32	521-C3 Crown	7	577-C3 Crown	14	650-C4* Crown	26
309-C1 Crown	5	523-M1* Shingle	8	577-C4 Crown	10	651-C4 Crown	25
309-C2 Bed Mould	5	526-C2 Crown	5	608-C2 Crown	13	652-C2 Shaker Crown	34
310-C1 Bed Mould	5	532-C1 Crown	34	612-C2 Crown	21	652-C4 Crown	25
313-C3* Crown	11	537-C2 Bed Moulding	14	612-C4 Crown	28	653-C4 Cove	33
315b-C2 Crown	12	538-C2 Crown	14	613-C2 Crown	26	654-C4 Crown	25
315-C2* Crown	23	539-C2 Crown	24	614-C2 Crown	24	655-C2 Cove	33
316-C1 Crown	8	540-C2 Cove	27	615-C1 Crown	21	656-C2 Cove	33
317-C2 Crown	23	540-C4 Crown	19	615-C2 Crown	21	657-C2 Crown	26
318-C2 Bed Mould	5	541-C4* Cove/Crown	27	616-C4 Crown	24	658-C3 Cove Crown	26
319-C2 Crown	12	542B-C4 Crown	22	617-C2 Crown	21	712-C3* Crown	17
321-C2 Bed Mould	5	542-C3 Crown	22	618-C2 Crown	21	713-C3 Crown	17
350B-C1 Crown	13	544-C3 Crown	18	619-C3 Crown	20	713-C4 Crown	17
350-C1* Crown	13	544-C4 Crown	18	629-C3 Crown	15	716-C4 Crown	15
353-R2 Cove Crown	33	545-C3 Crown	14	631-C2 Crown	17	717-C4 Crown	18
354-C2* Crown	13	546-C2 Crown	23	632B-C2 Crown	20	718-C3 Crown	20
355-C2 Crown	12	546-C4 Bed Moulding	4	632-C2 Crown	21	719-C4 Crown	18
370B-C2 Crown	18	547B-C2 Bed Moulding	4	633-C4 Crown	16	933-M2 Crown	12
370-C2 Crown	23	547-C2 Bed Mould	4	634-C3 Crown	15	1000-R2 Picture Rail	37
505-R2* Picture Rail	36	548-C2 Crown	23	635-C2 Crown	21	1001-R2 Picture Rail	36
506B-C2 Crown	34	549-C2 Crown	23	636-C2 Crown	21	1002-R2 Picture Rail	35
506-C2* Shaker Cove	34	550-C4* Cove	30	638B-C3 Crown	16	1003 R2 Picture Rail	36
506C-C2 Shaker Cove	34	551-C2 Crown	23	638-C3 Crown	16	1004-R2 Picture Rail	36
506D-C2 Crown	34	552-C4 Cove	29	639-C3 Crown	11	1006B-R1 Picture Rail	37
507-C2 Crown	34	553-C4 Cove	30	640-C2 Crown	28	1006-R1 Picture Rail	37
508-C3* Shaker Cove	34	554-C4 cove	29	641-C2 Crown	26	1007-R1 Picture Rail	37
509-C2 Cove	33	556-C4 Cove	30	642-C2 Crown	24	1008-R1 Picture Rail	37

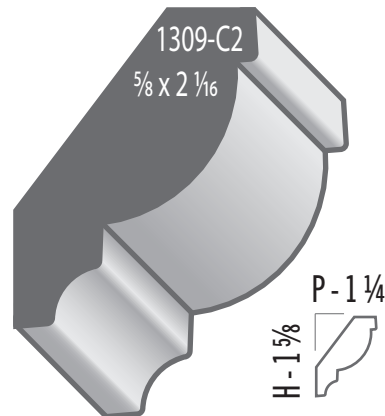
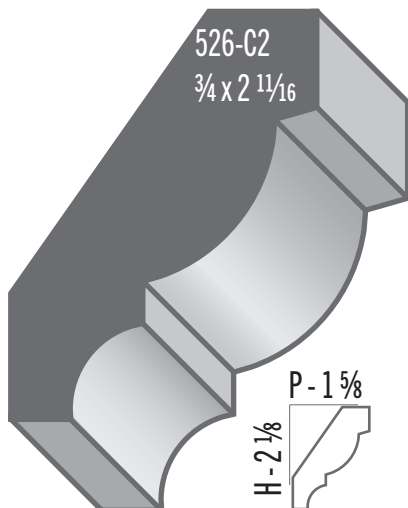
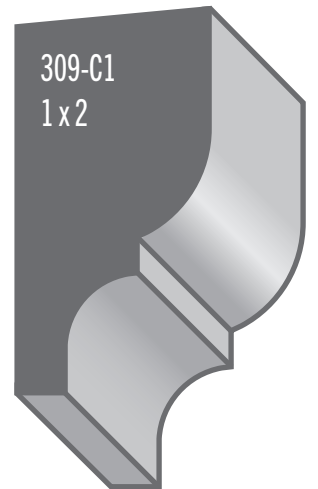
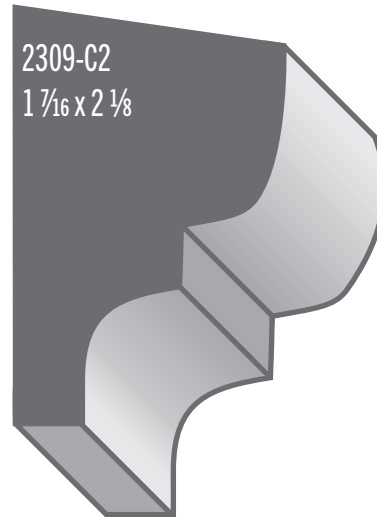
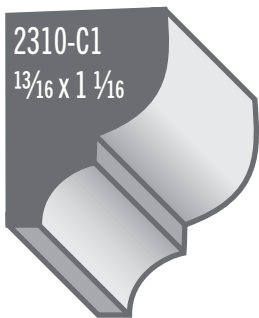
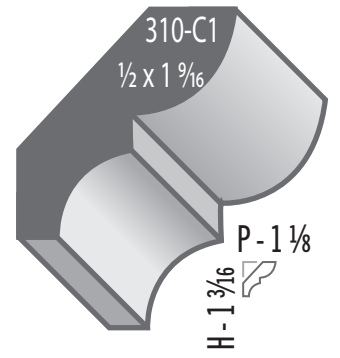
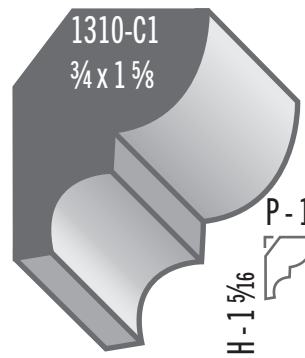
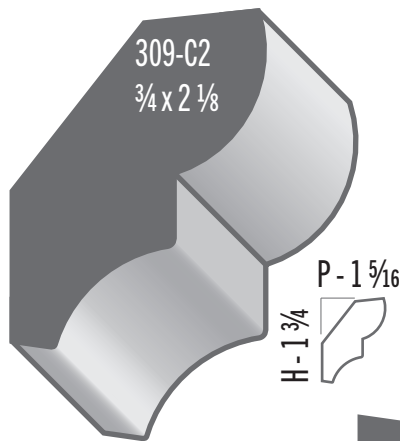
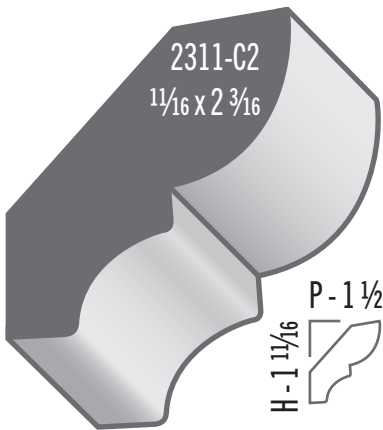
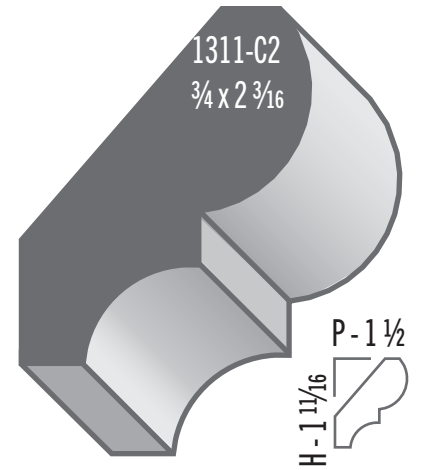
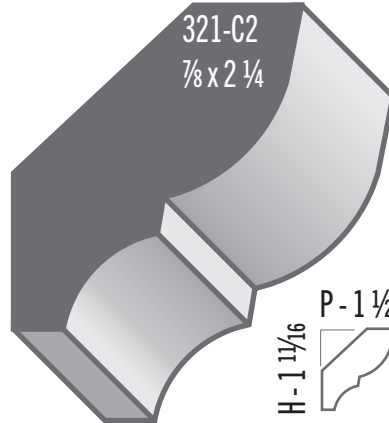
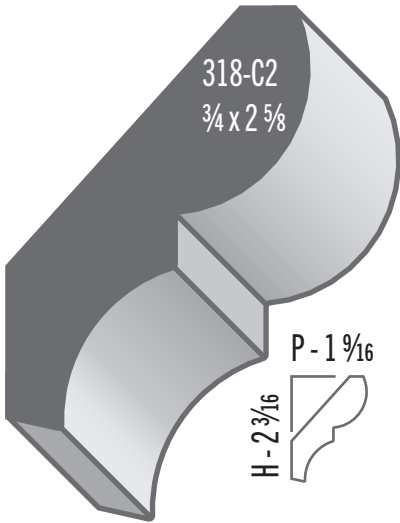


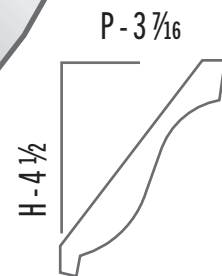
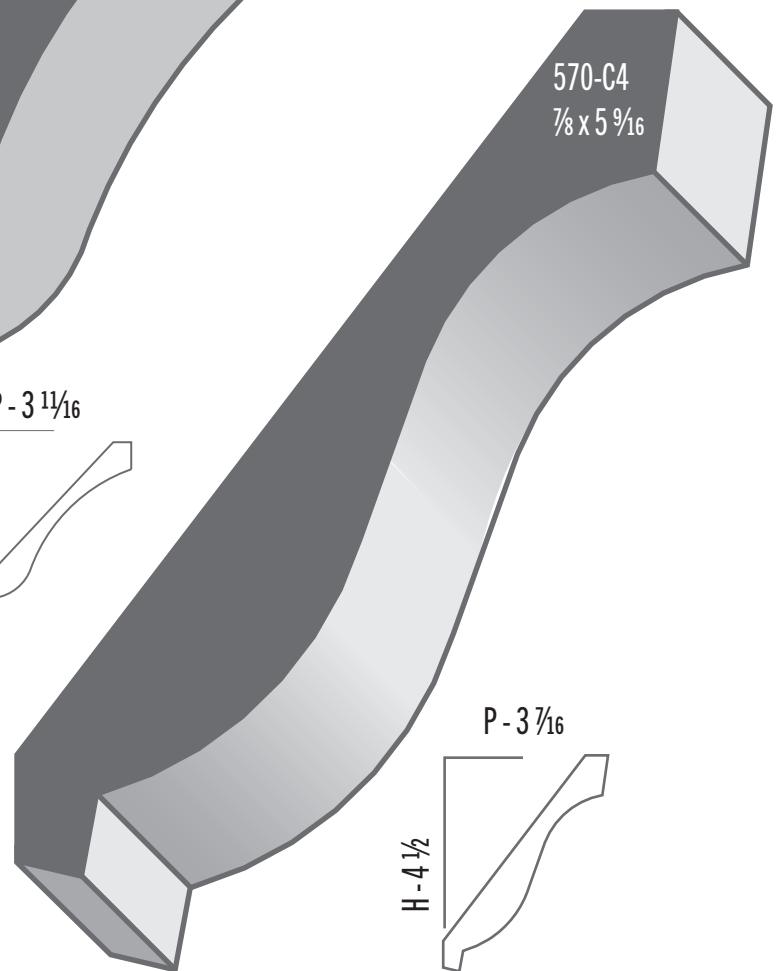
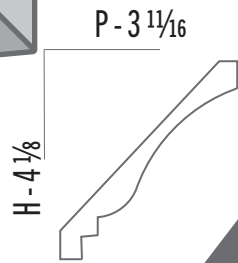
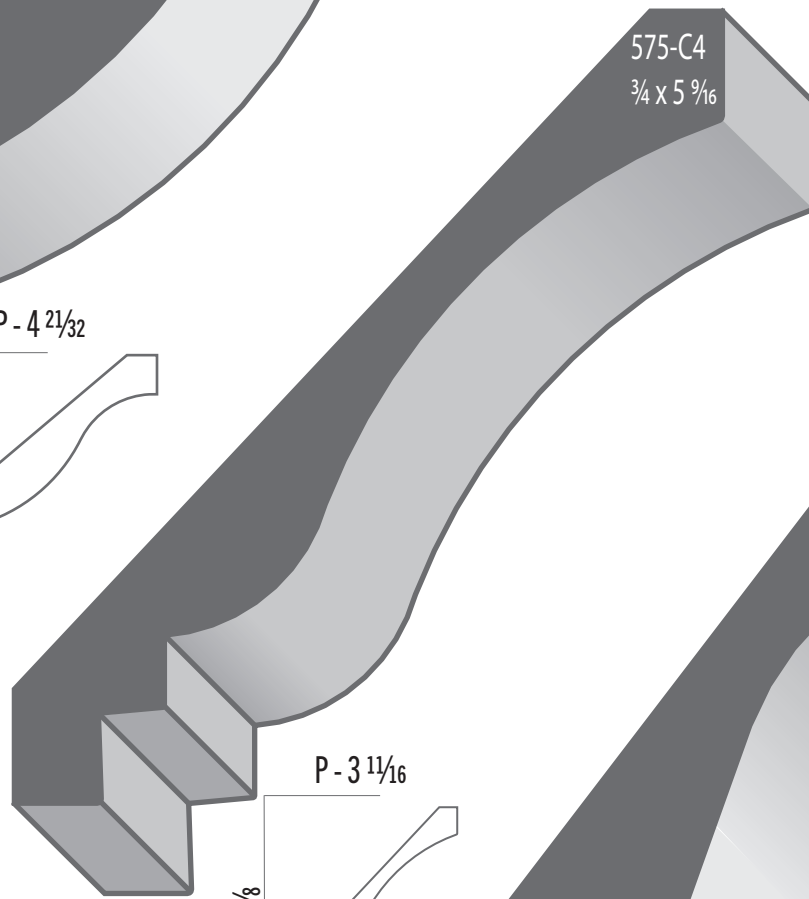
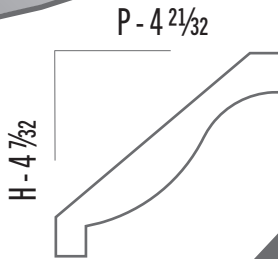
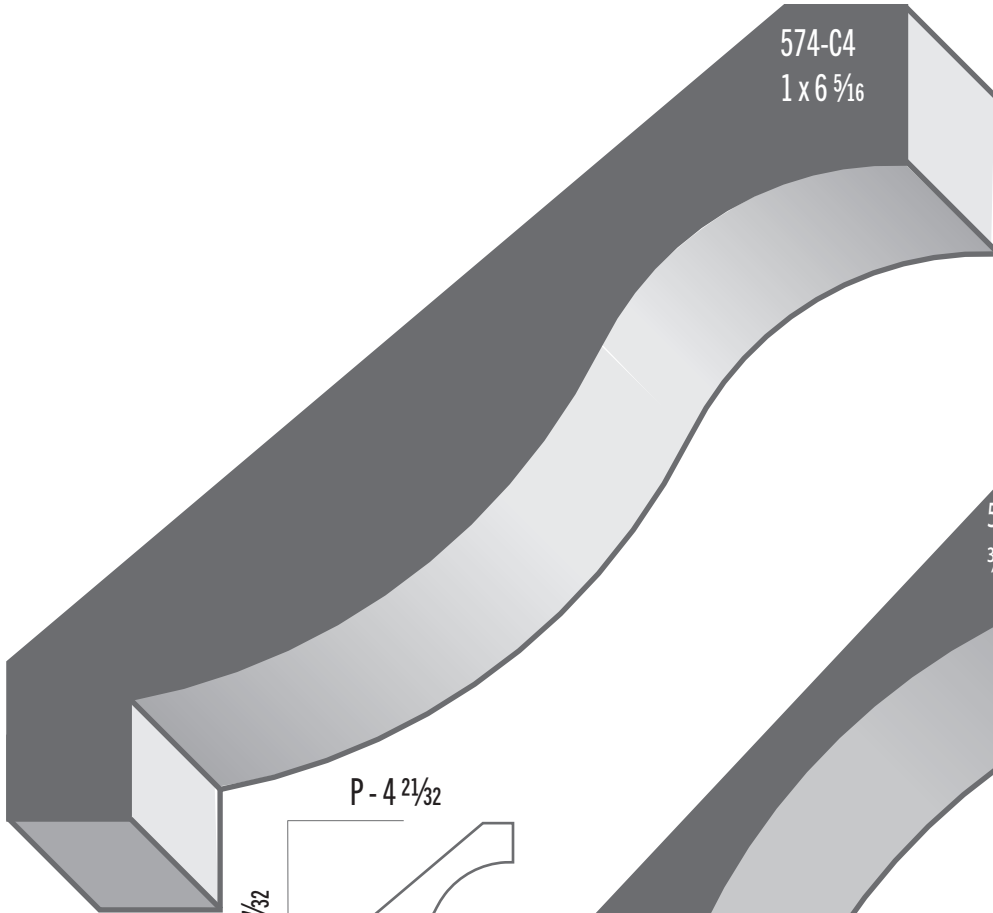
Profile #	Pg #	Profile #	Pg #	Profile #	Pg #	Profile #	Pg #
1009-R1	Picture Rail	37	1508-C3	Shaker Cove	34		
1010-R1*	Picture Rail	37	1510B-C2	Picture Rail	35		
1011-R1	Picture Rail	37	1511B-C2	Crown/Corbel	27		
1012-R2*	Picture Rail	35	1516-P1	Picture Rail	37		
1013-R2*	Picture Rail	35	1517-P1	Shingle	8		
1014B-R1	Picture Rail	36	1546-C3	Bed Mould	4		
1014-R1	Picture Rail	36	1547-C2	Bed Mould	4		
1015-R2	Picture Rail	36	1548-C3	Crown	23		
1017-R2	Picture Rail	35	1549-C4	Crown	22		
1018-R2	Picture Rail	35	1550-C3	Cove Crown	31		
1019-R1	Picture Rail	37	1608-C2	Crown	13		
1020-R2	Picture Rail	35	1609-C2	Crown	13		
1040-R2	Picture Rail	36	1610-C2	Crown	12		
1041-R2	Picture Rail	36	1611-C2	Crown	24		
1043-R2	Picture Rail	35	1611-C3	Crown	24		
1044-R2	Picture Rail	35	1612-C2	Cove	33		
1045-R2	Picture Rail	35	1613-C2	Cove/ Crown	27		
1046-R2	Picture Rail	36	1638-C3	Crown	16		
1047-R2	Picture Rail	35	1639-C4	Crown	10		
1048-R2	Picture Rail	35	1640-C2	Crown	17		
1049-R2	Picture Rail	36	1641-C2	Crown	17		
1053-R2	Picture Rail	35	1704-R2	Picture Rail	36		
1144-R2	Picture Rail	35	1712-C3	Crown	20		
1191-R2	Picture Rail	36	1713-C4	Crown	16		
1192-R2	Picture Rail	36	1714-C3	Crown	19		
1301-C2	Cove Crown	32	1716-C3	Crown	19		
1302-C1	Cove	32	2019-R1	Picture Rail	37		
1304-C1	Cove	32	2303-C1	Cove	32		
1305-C2	cove	32	2309-C2	Bed Mould	5		
1306-C2	Cove	32	2310-C1	Bed Mould	5		
1307-C2	Cove	31	2311-C2	Bed Mould	5		
1308-C3	Cove	31	2312-C2	Crown	12		
1309-C2	Crown	5	2314-C4	Crown	11		
1310-C1	Crown	5	2350-C4	Crown	22		
1311-C2	Bed Mould	5	2513-C2	Crown	7		
1312-C2	Crown	12	2521-C3	Crown	7		
1313-C2	Crown	12	2545-C2	Crown	15		
1314-C4	Crown	11	2546-C3	Crown	4		
1315-C2	Crown	12	2551-C2	Crown	23		
1316-C3	Crown	11	2552-C1	Shaker Crown	34		
1317-C3	Crown	11	2609-C2	Crown	13		
1319-C2	Cove	27	2655-C2	Cove	33		
1350-C1	Crown	22	2713-C4	Crown	15		
1351-C1	Crown	13	2714-C4	Crown	19		
1352B-C2	Crown	15					
1352-C2	Crown	13					
1353-C3	Cove	33					

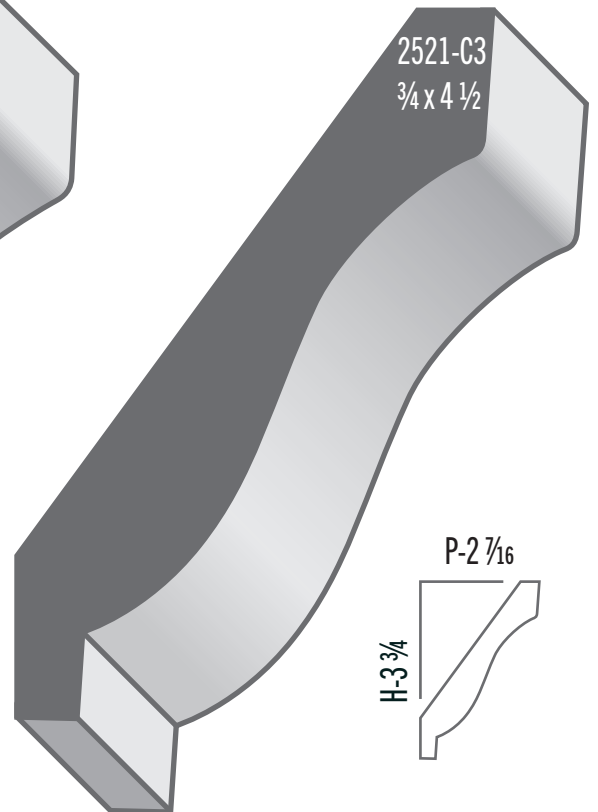
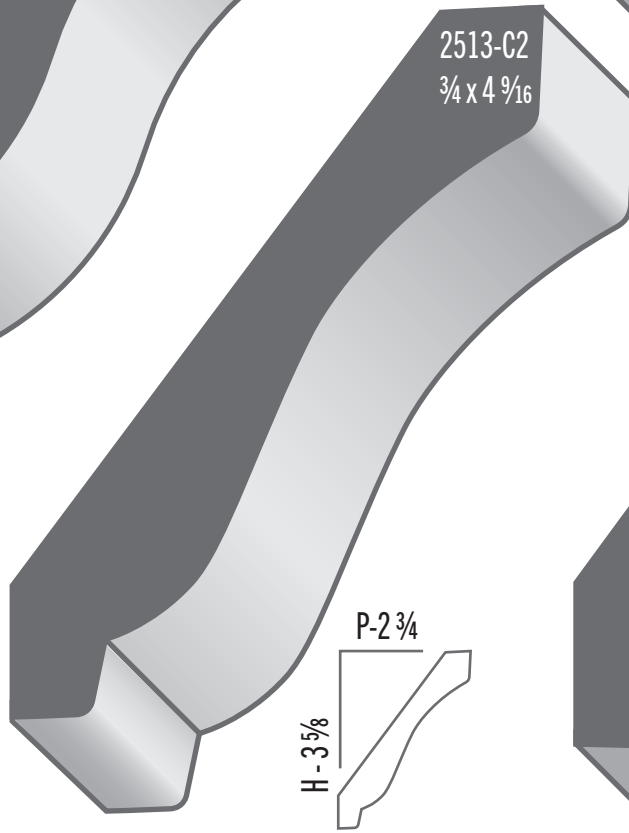
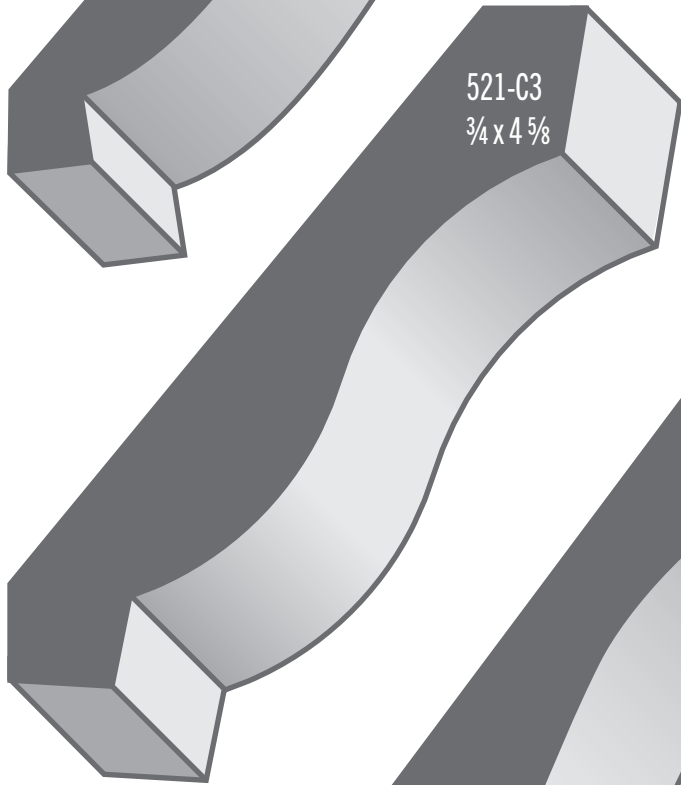
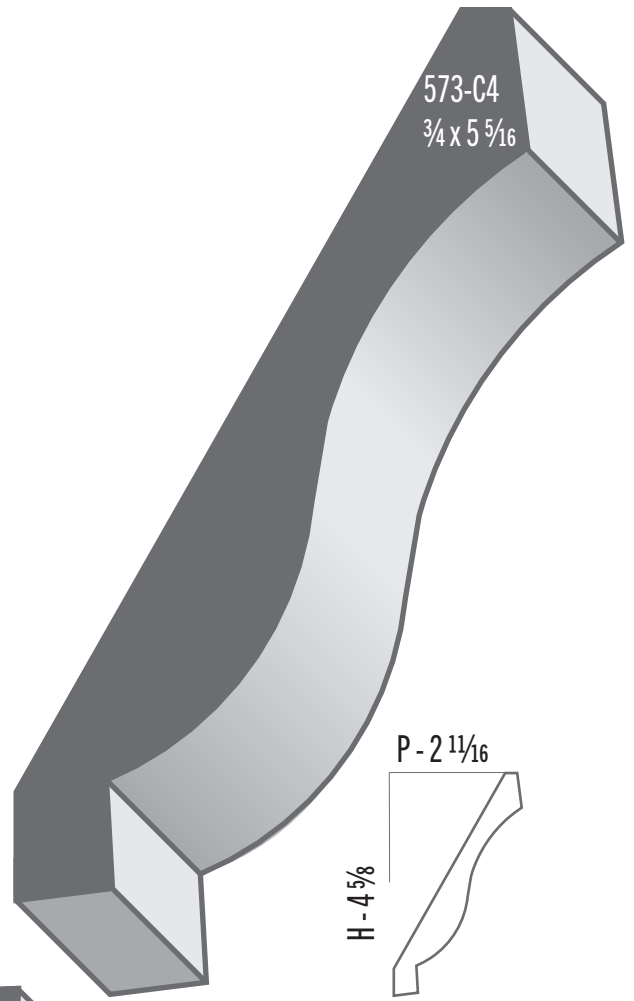
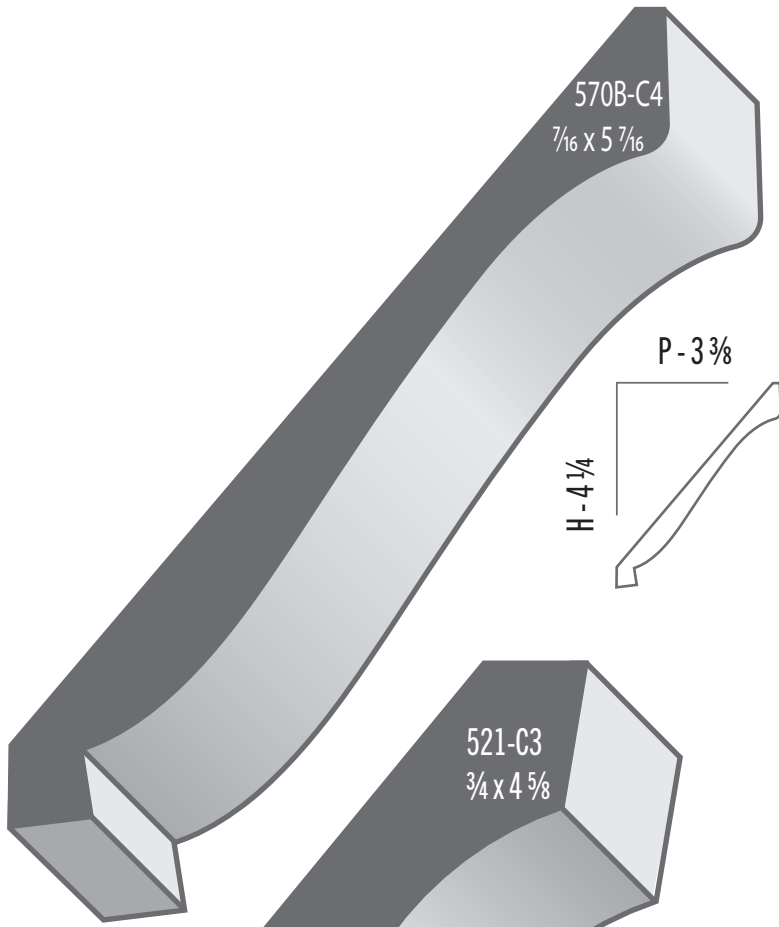
**S**

SNW-1010 Picture Rail 37







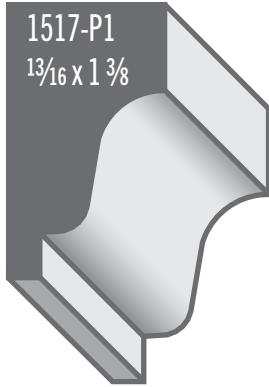




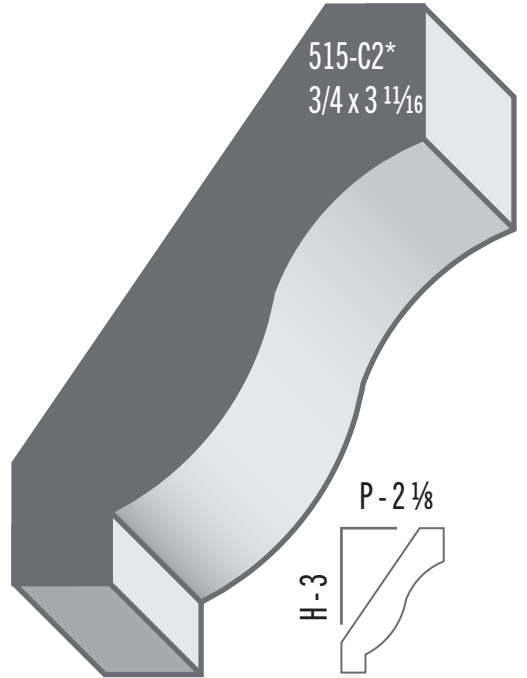
523-M1\*  
3/4 x 2 this  
may also  
be made  
extened;  
ask the  
shop



1517-P1  
1 3/16 x 1 3/8



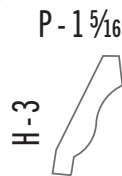
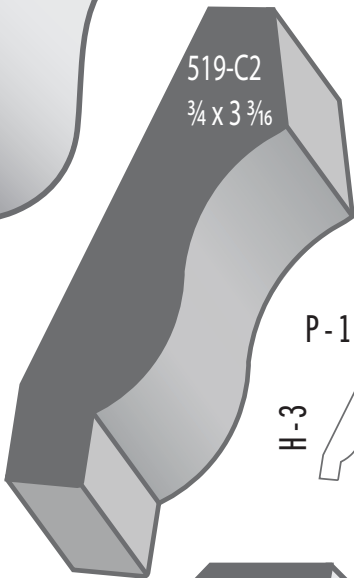
515-C2\*  
3/4 x 3 11/16



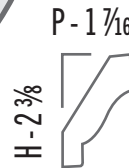
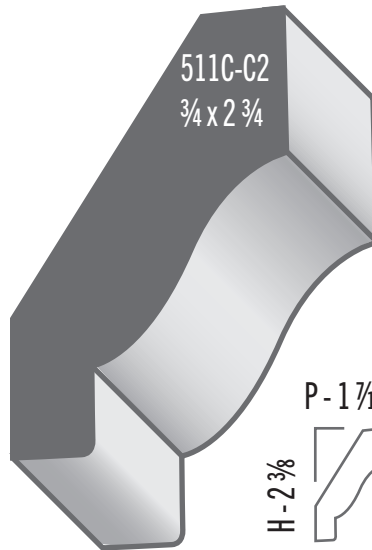
514-C2  
1 3/16 x 2 1/4



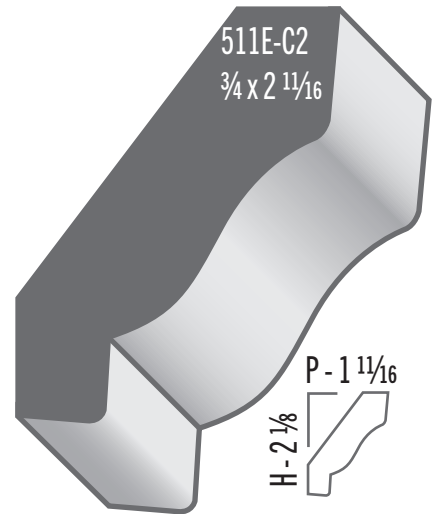
519-C2  
3/4 x 3 3/16



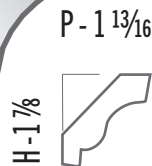
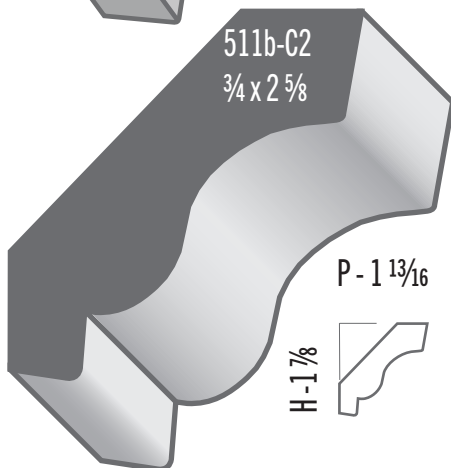
511C-C2  
3/4 x 2 3/4



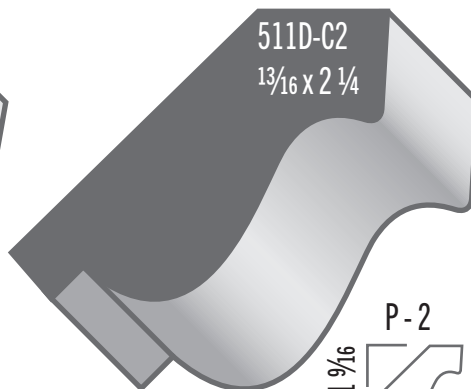
511E-C2  
3/4 x 2 11/16



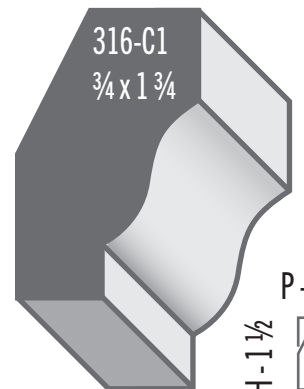
511b-C2  
3/4 x 2 5/8



511D-C2  
1 3/16 x 2 1/4

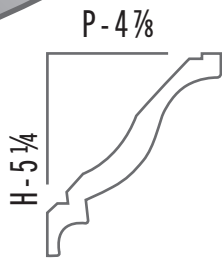
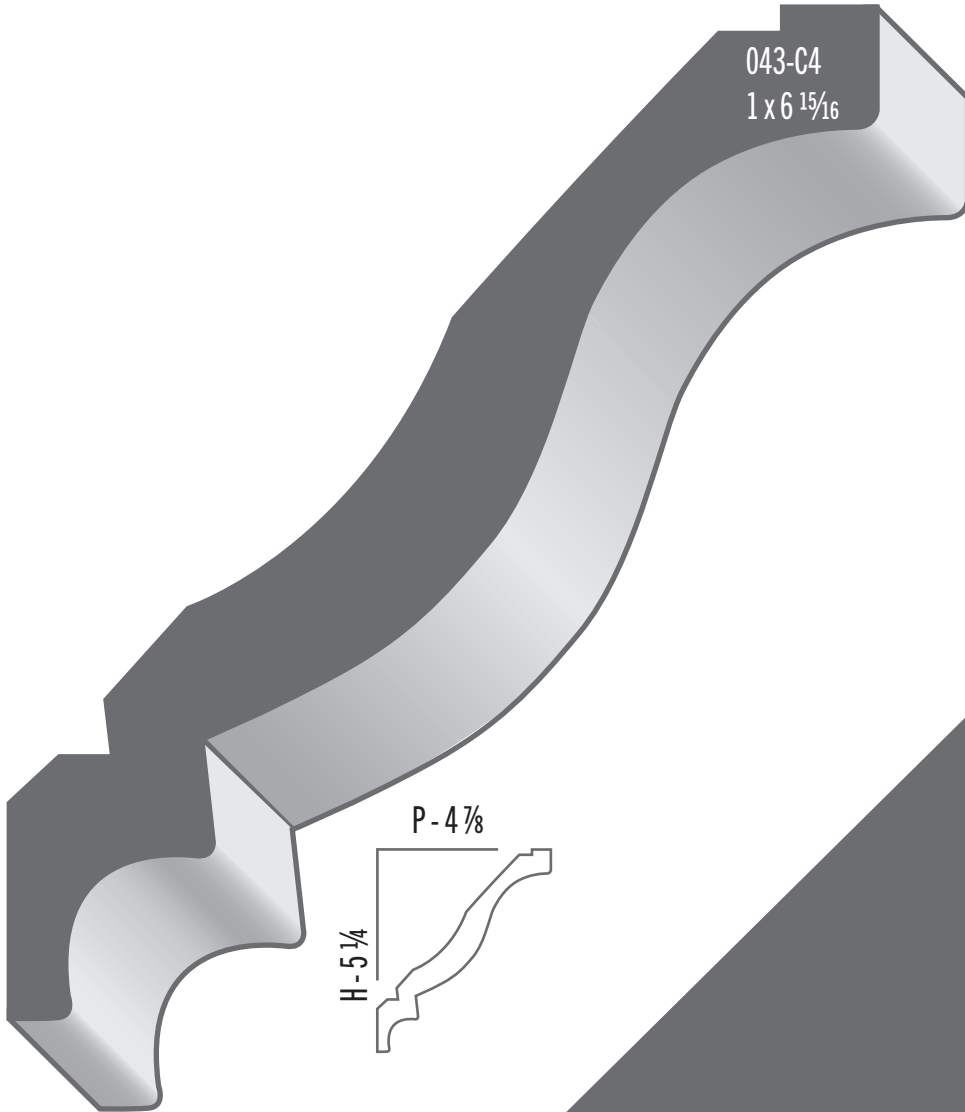


316-C1  
3/4 x 1 3/4

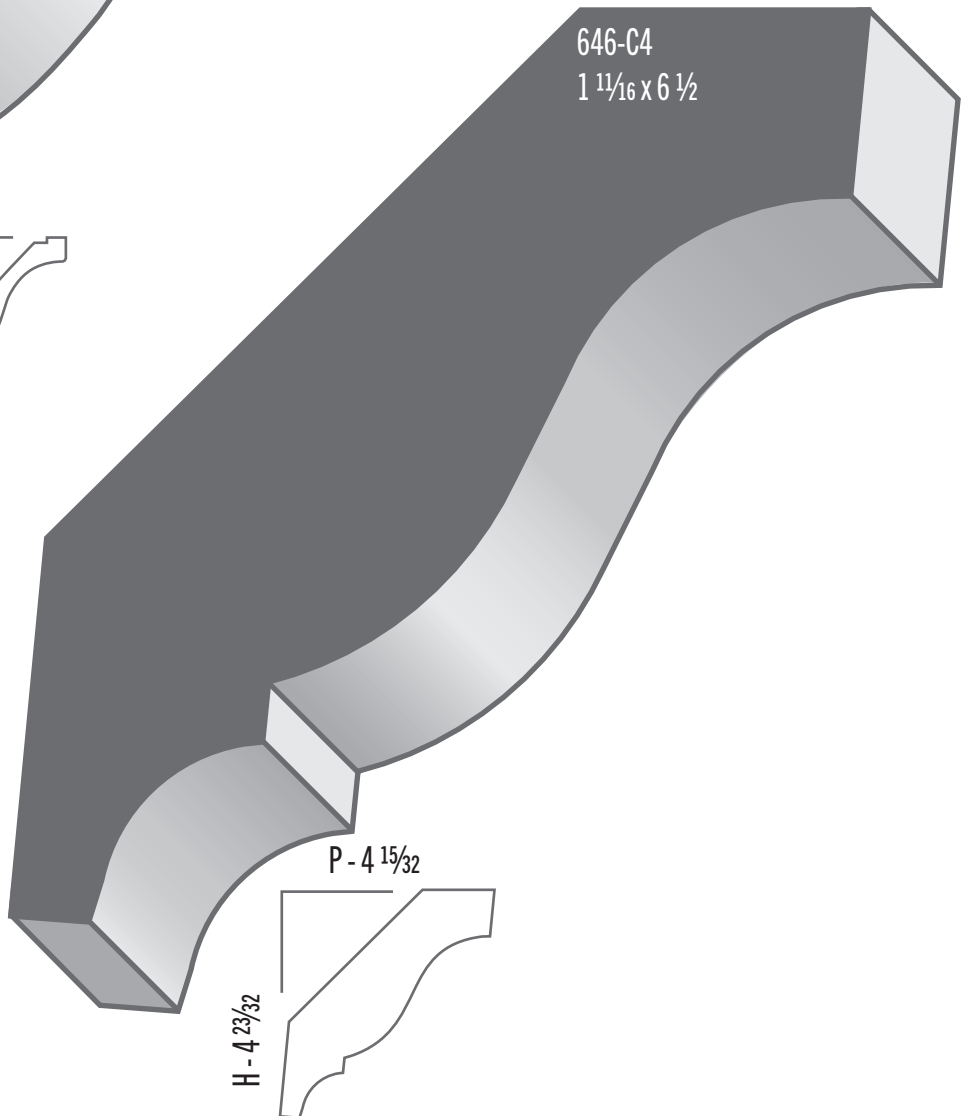




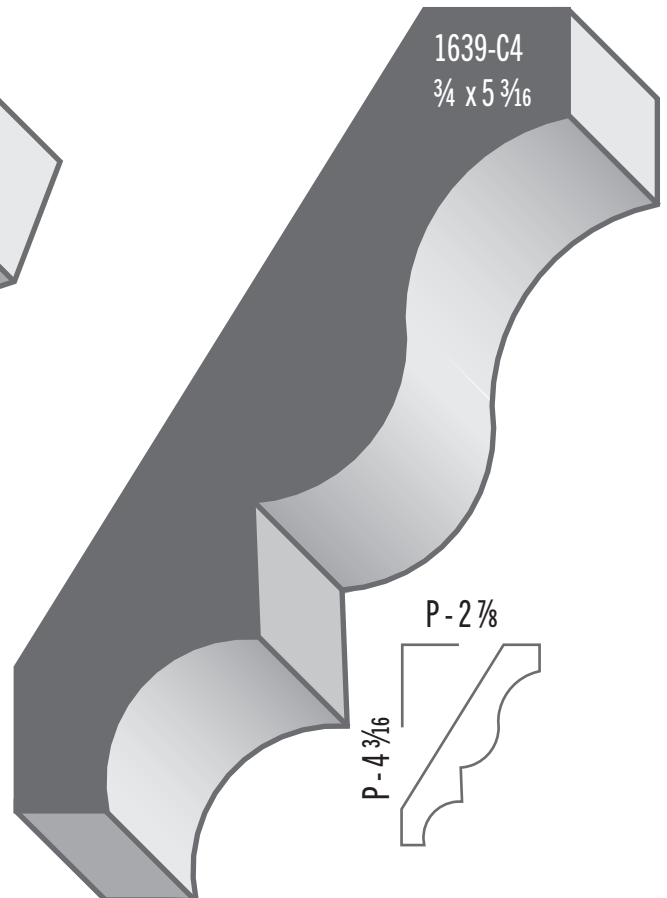
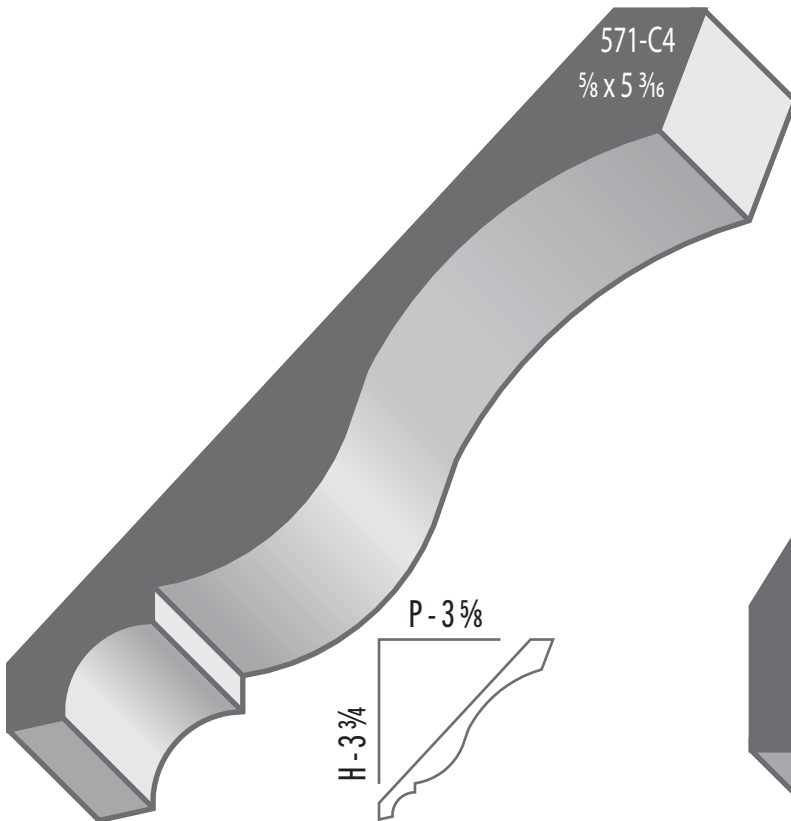
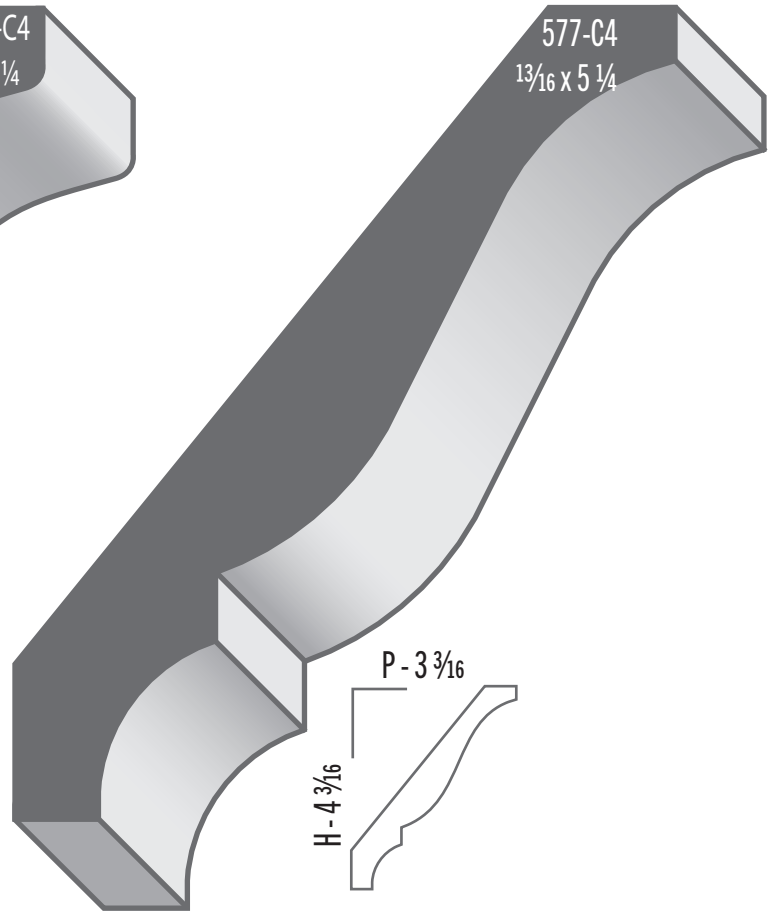
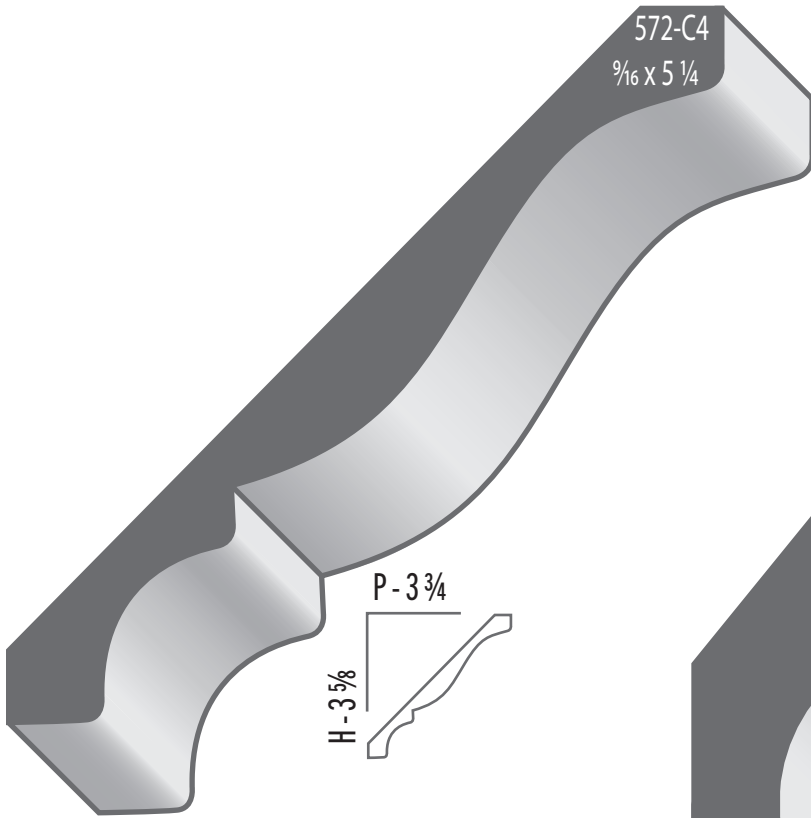
043-C4  
1 x 6 <sup>15</sup>/<sub>16</sub>

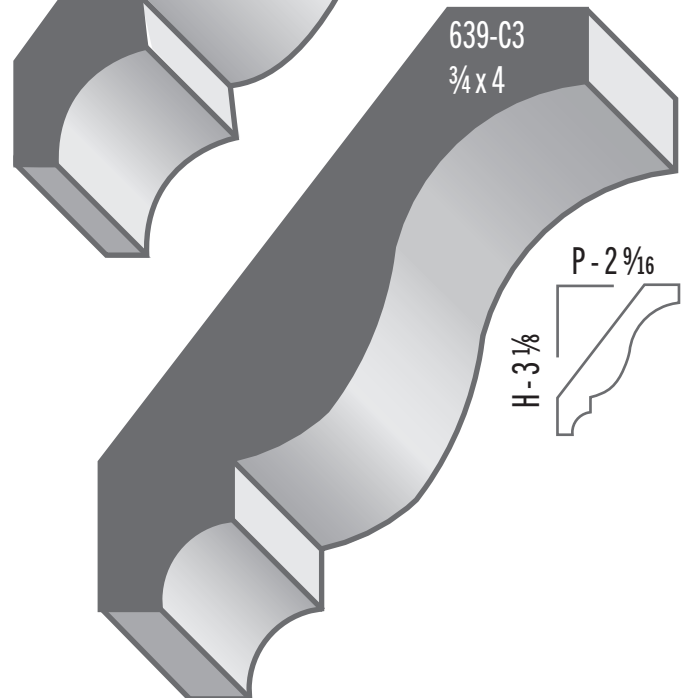
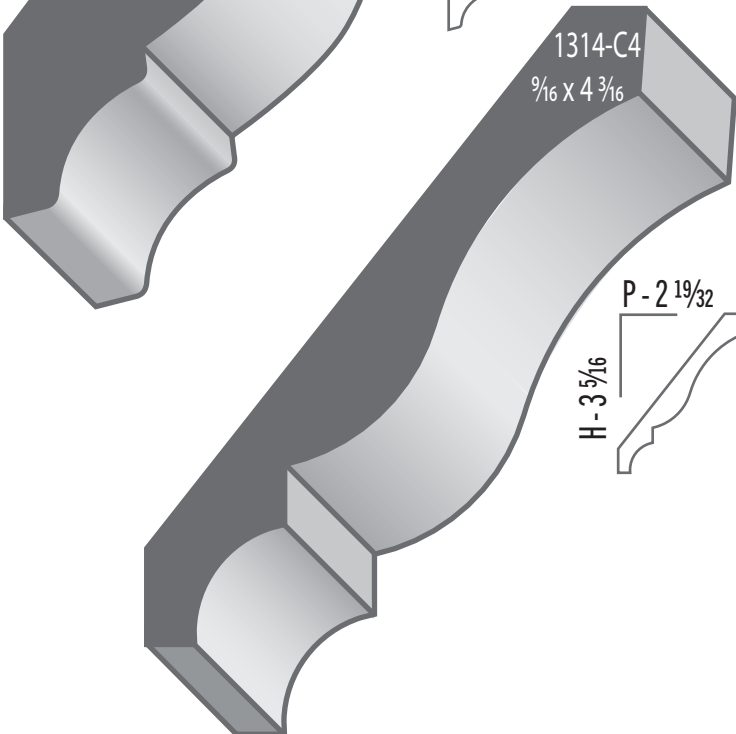
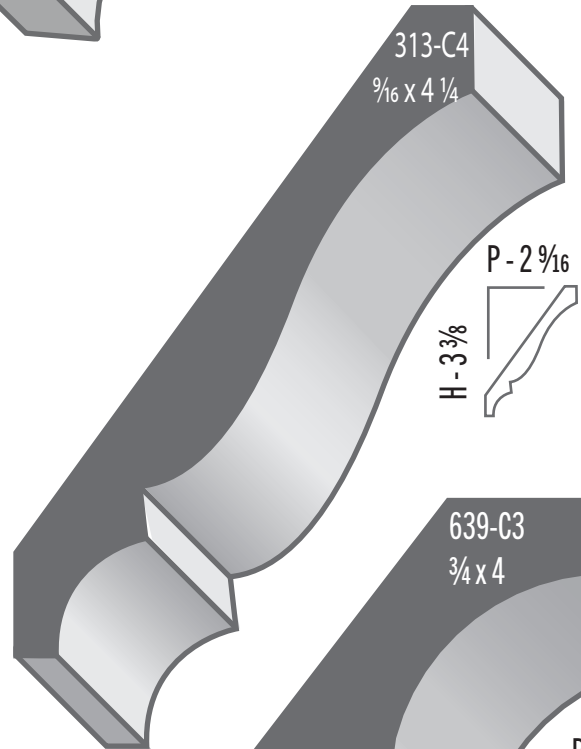
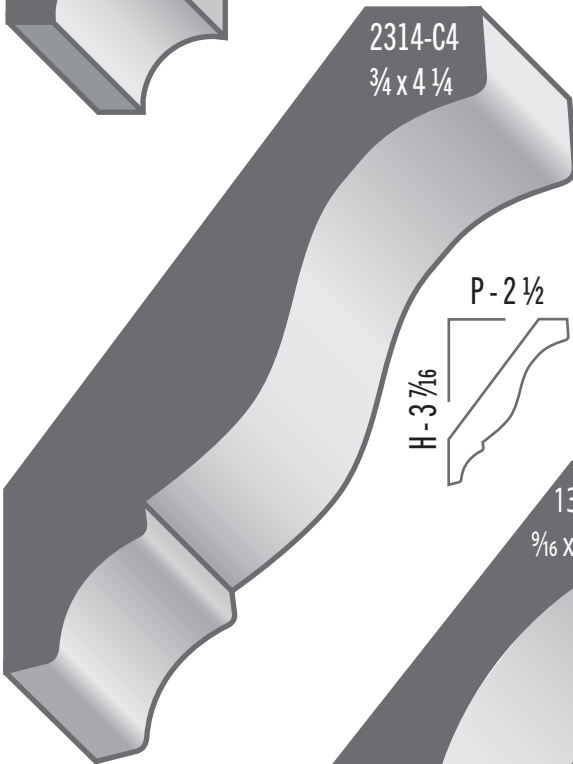
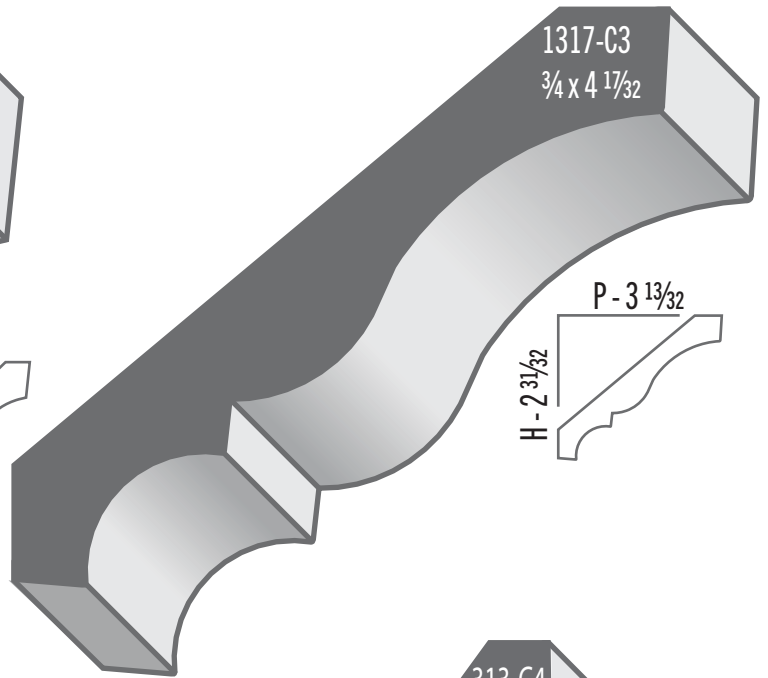
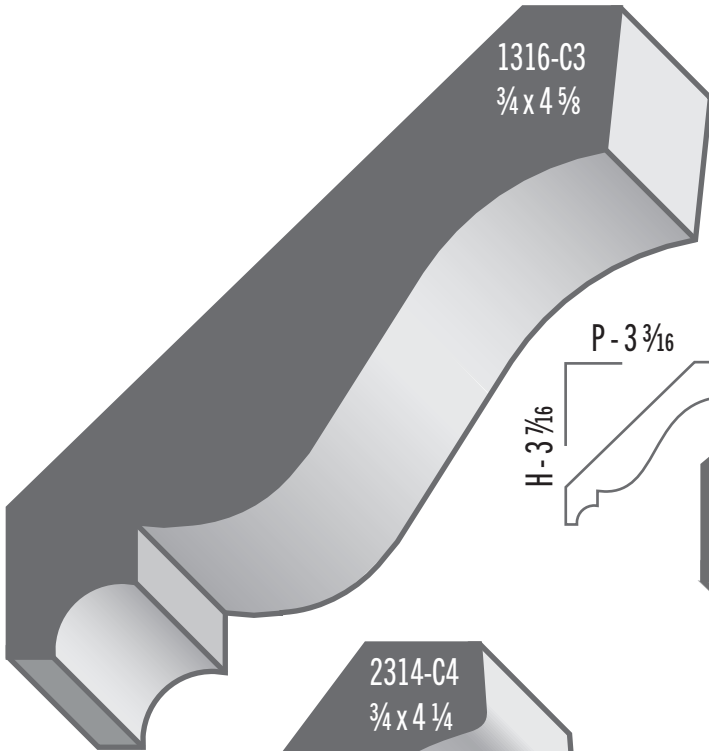


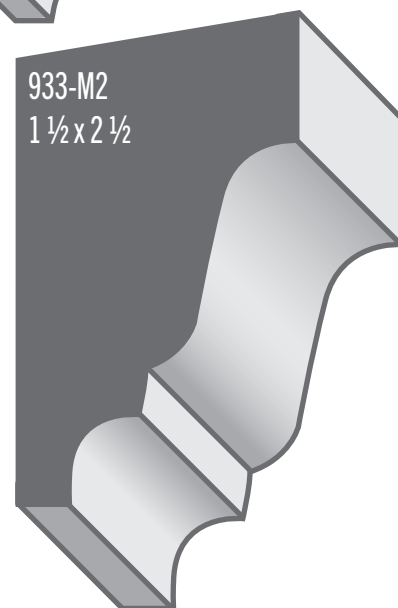
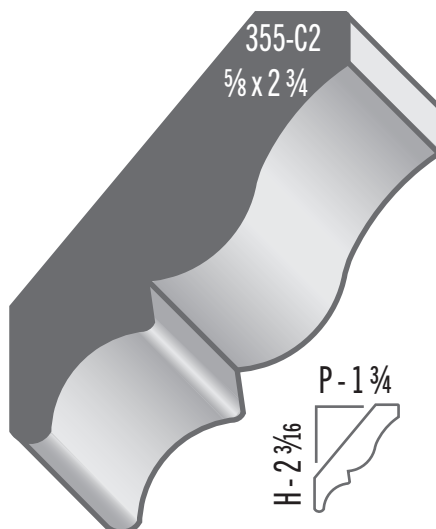
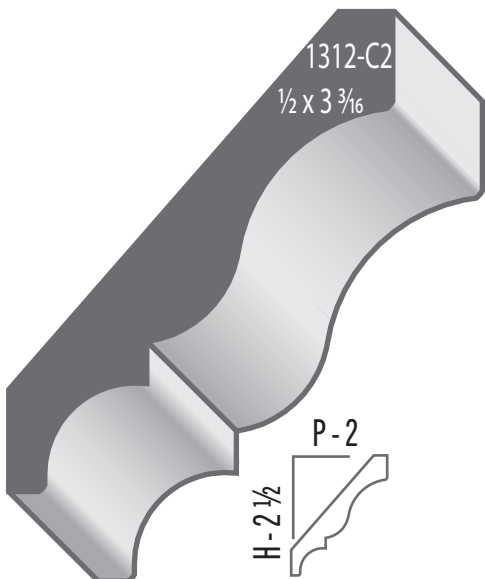
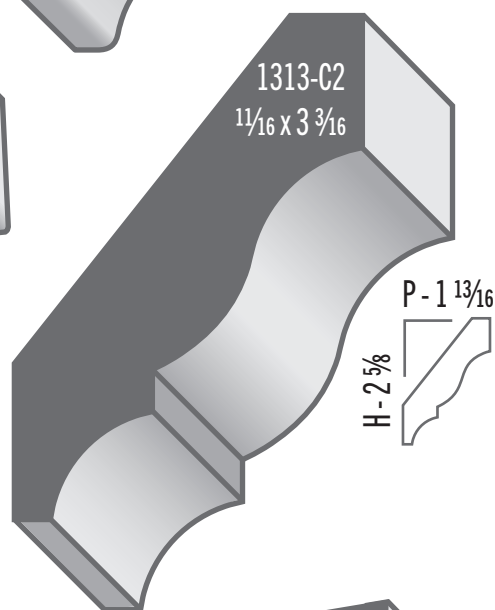
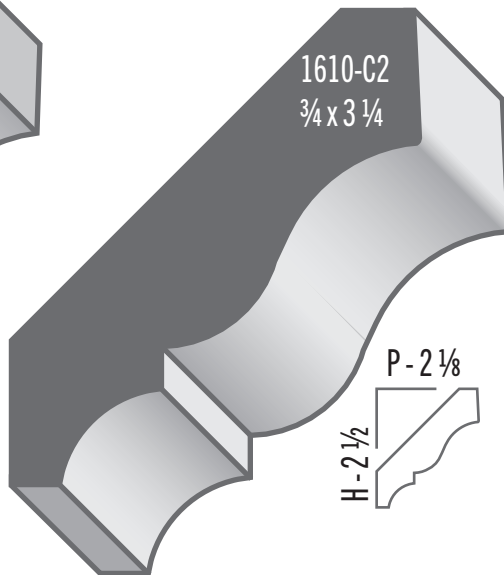
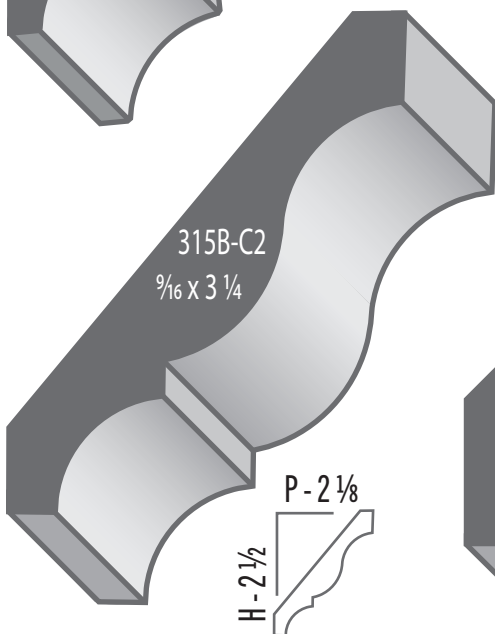
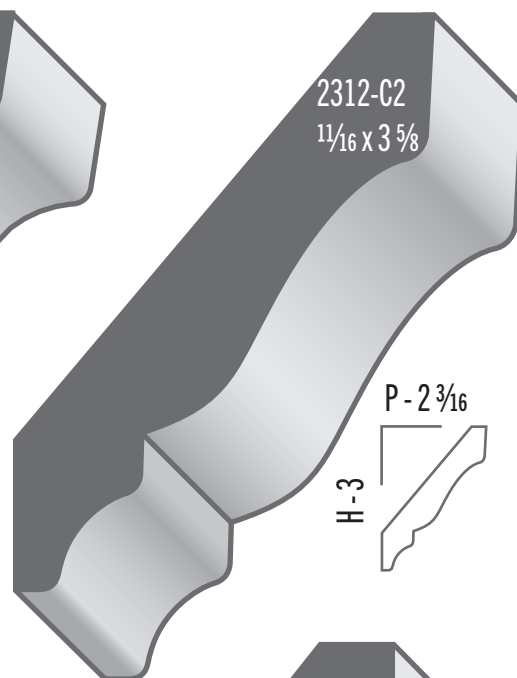
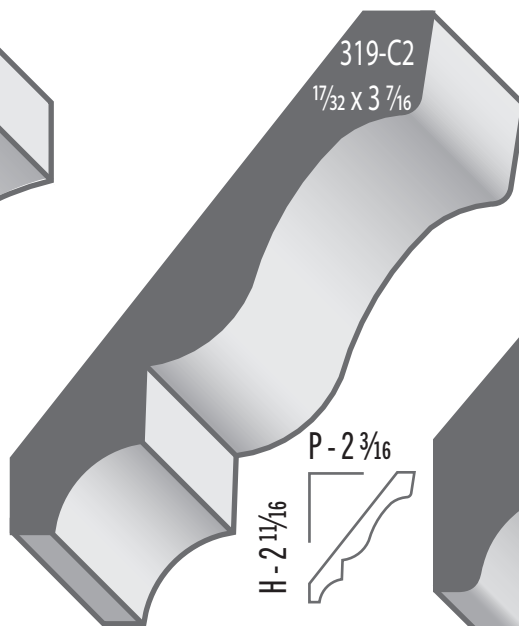
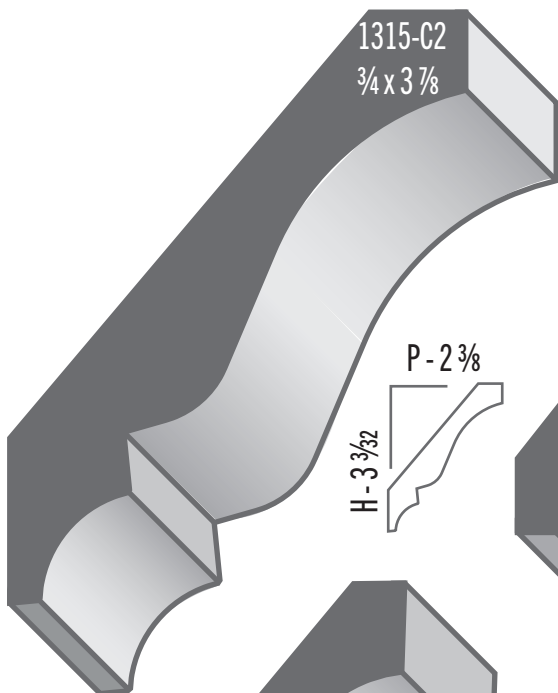
646-C4  
1 <sup>11</sup>/<sub>16</sub> x 6 <sup>1</sup>/<sub>2</sub>

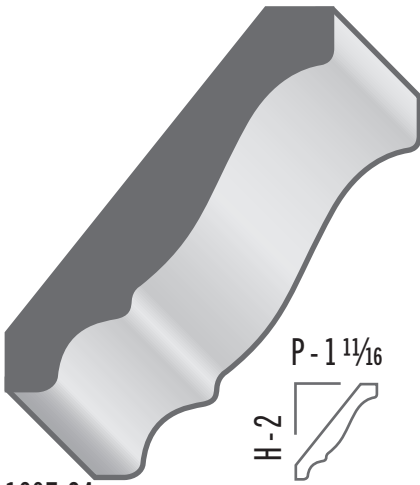




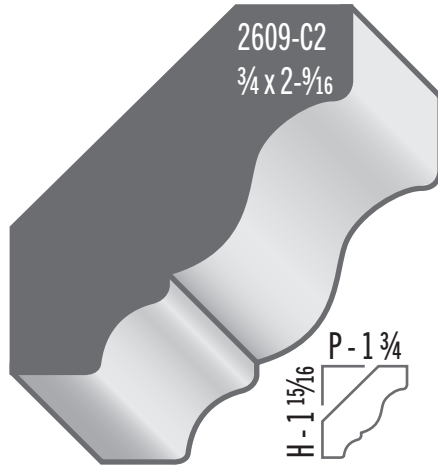




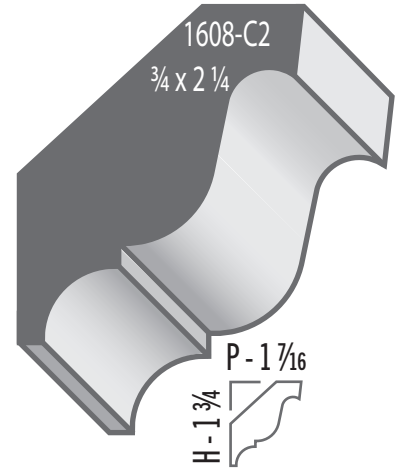




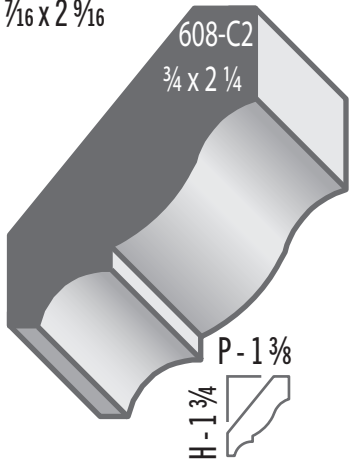
1607-C4  
7/16 x 2 9/16



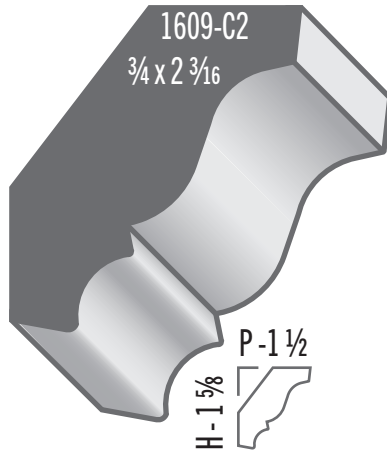
2609-C2  
3/4 x 2 9/16



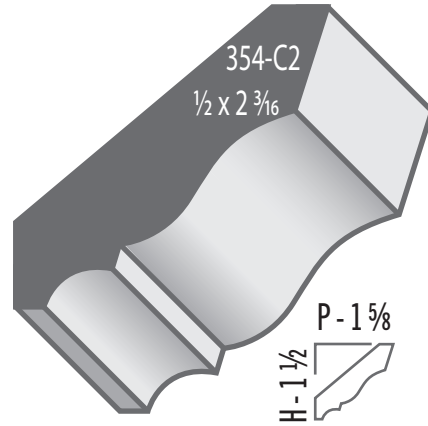
1608-C2  
3/4 x 2 1/4



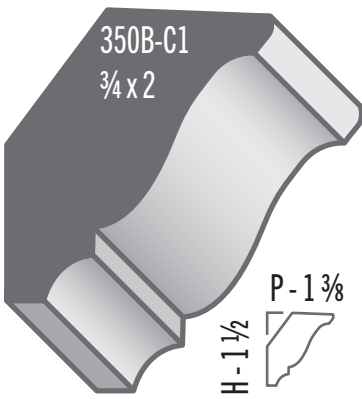
608-C2  
3/4 x 2 1/4



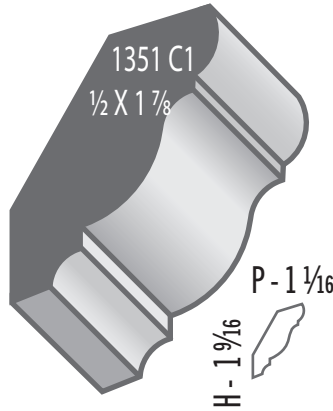
1609-C2  
3/4 x 2 3/16



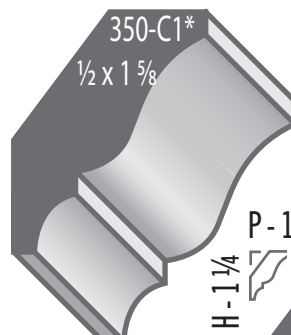
354-C2  
1/2 x 2 3/16



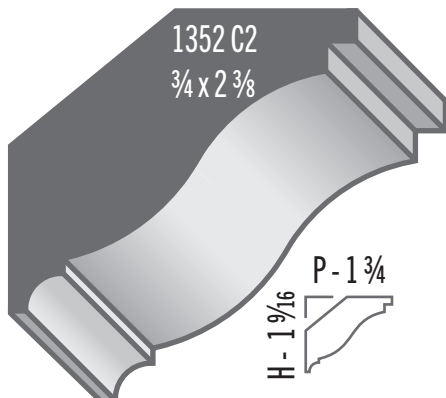
350B-C1  
3/4 x 2



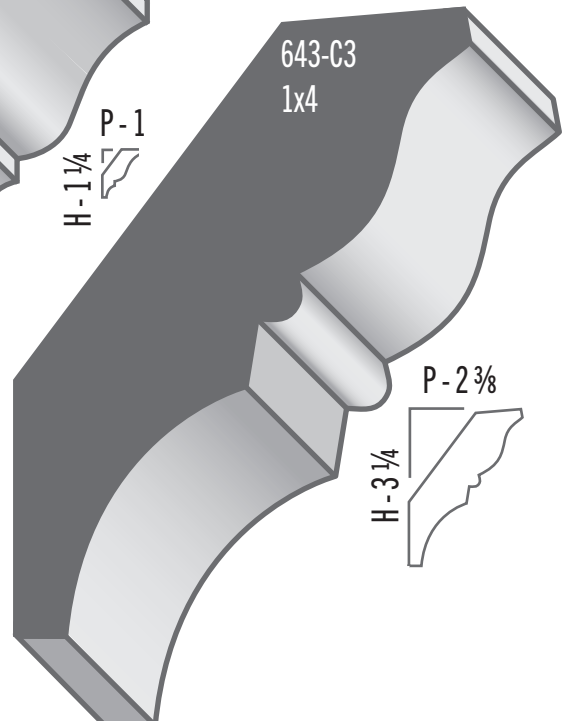
1351 C1  
1/2 x 1 7/8



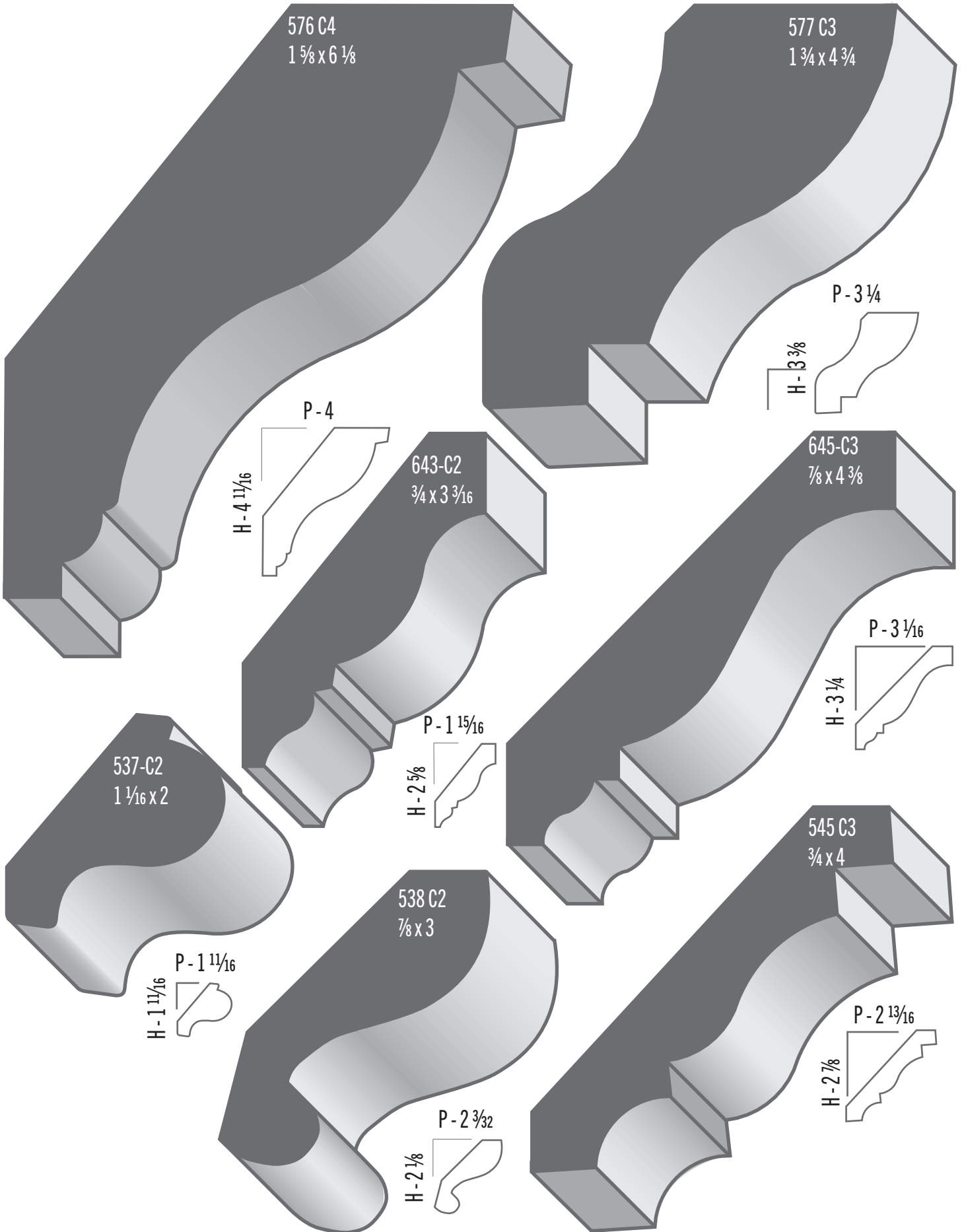
350-C1\*  
1/2 x 1 5/8

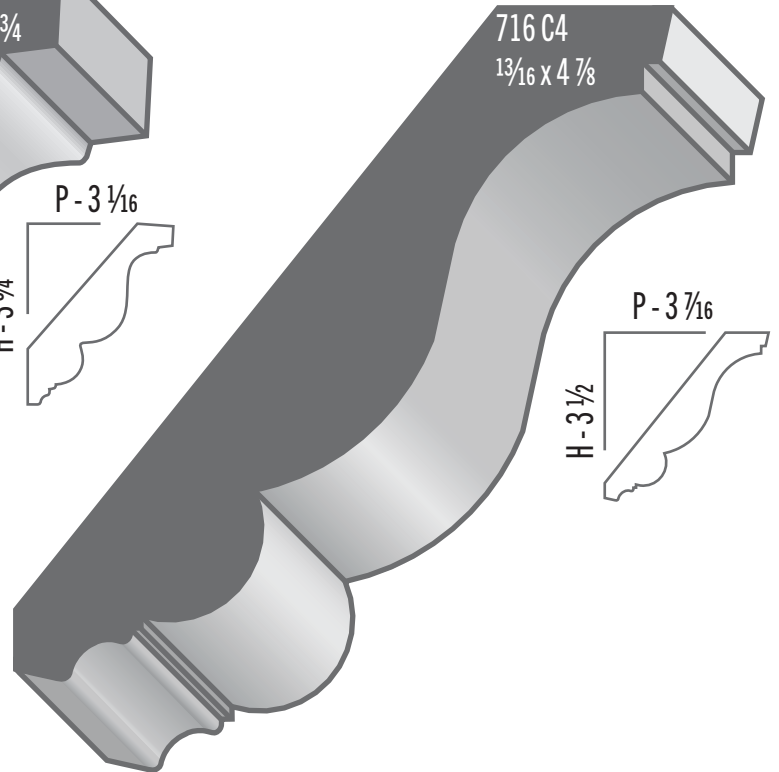
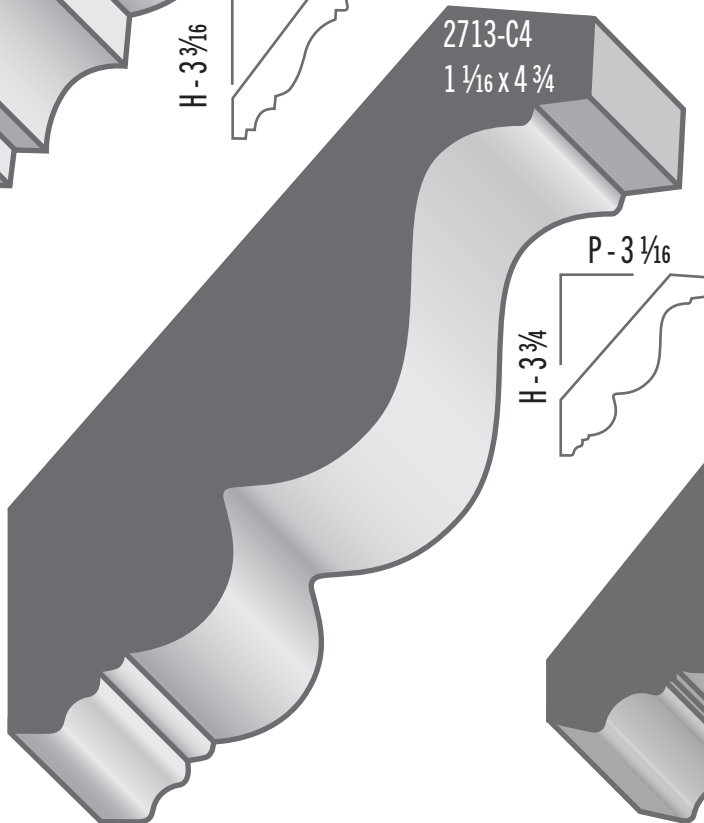
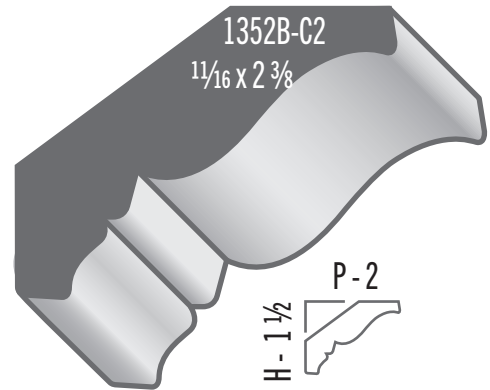
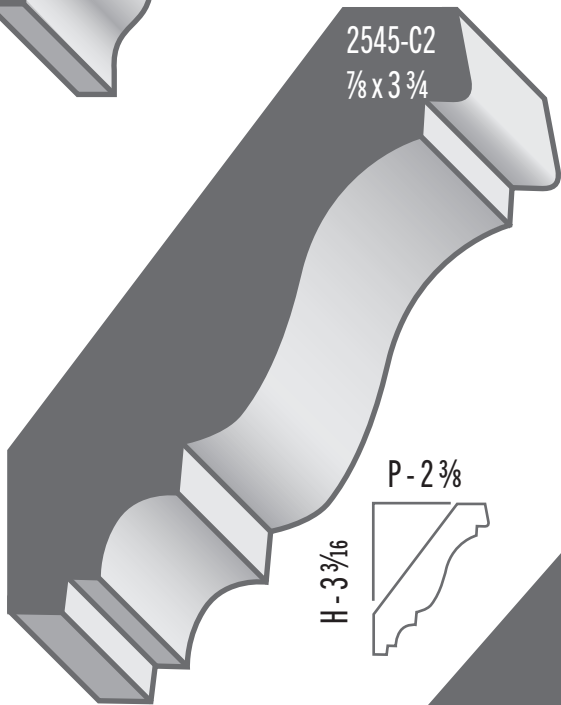
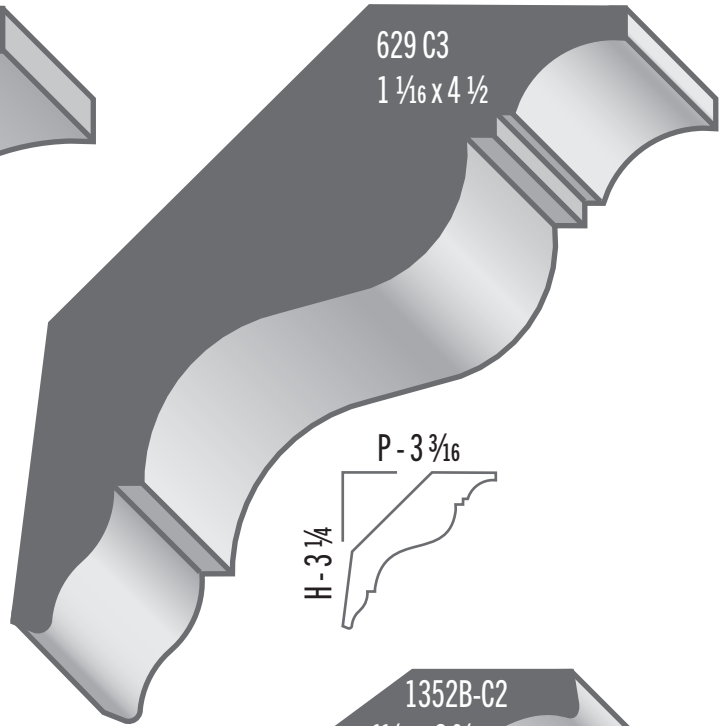
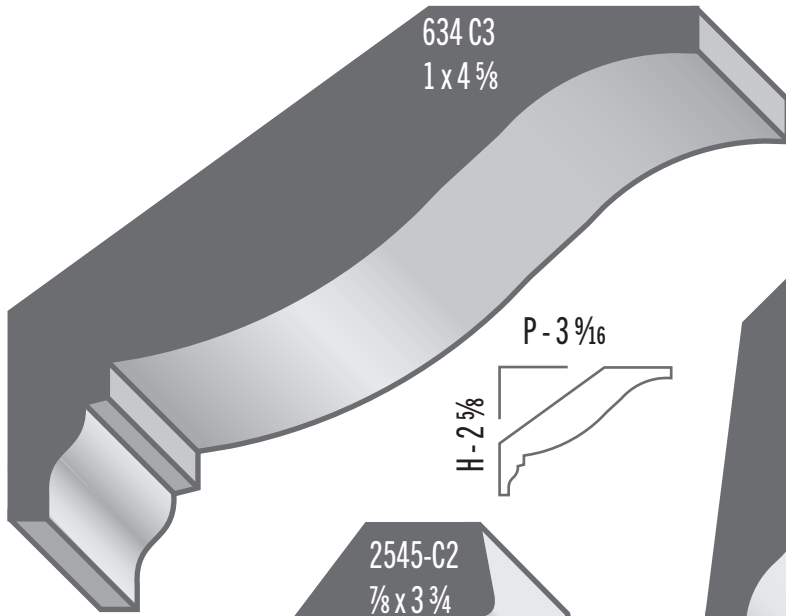


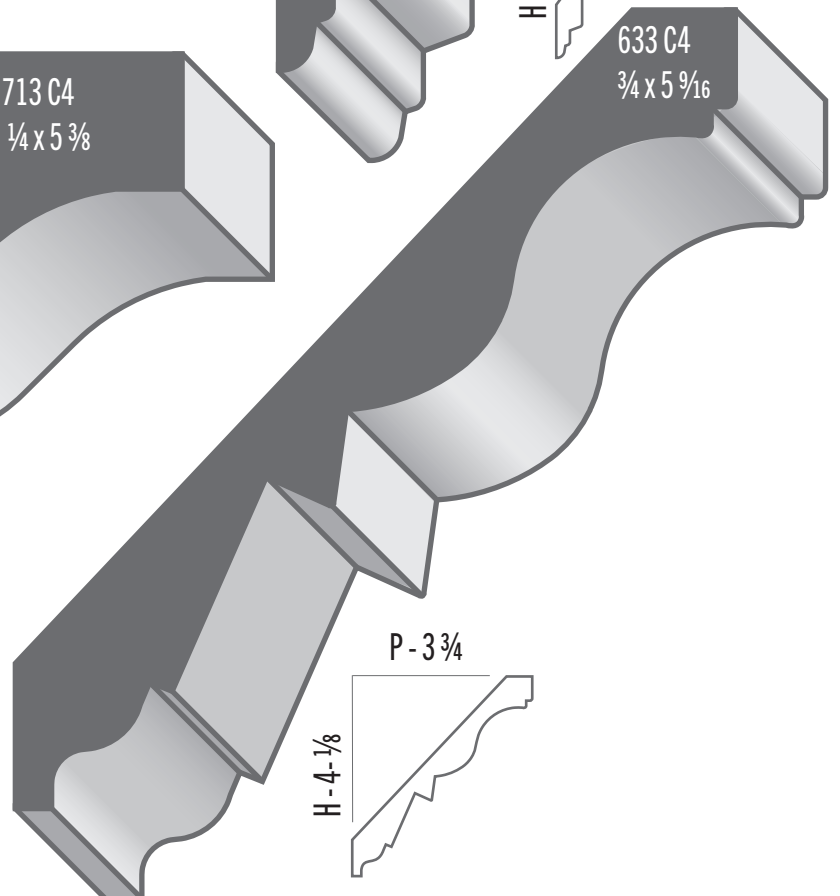
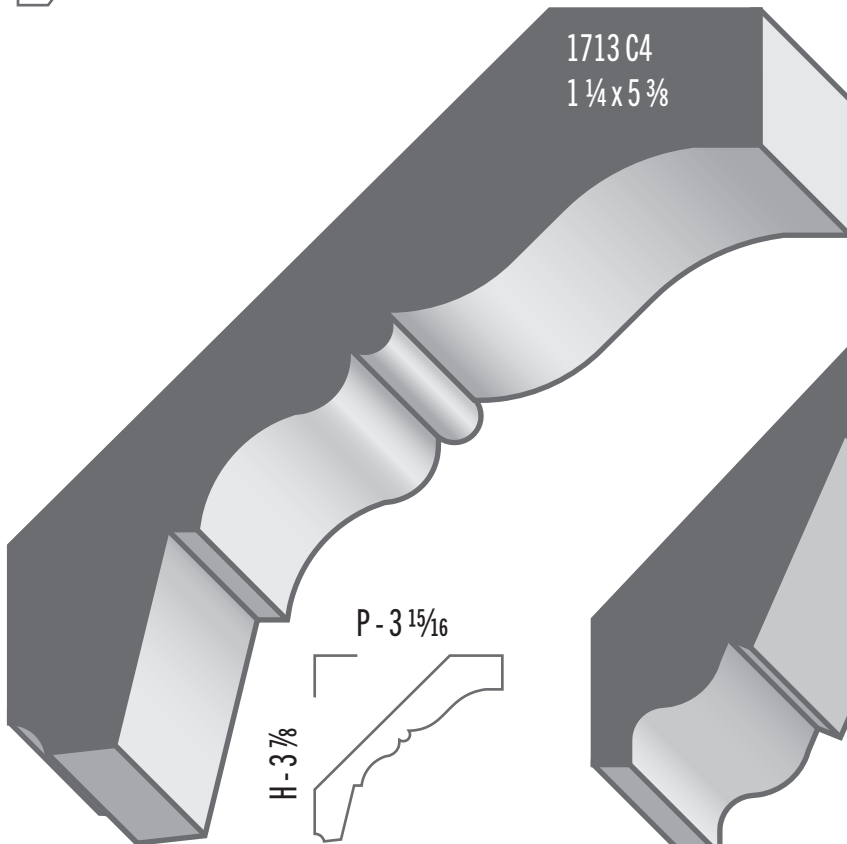
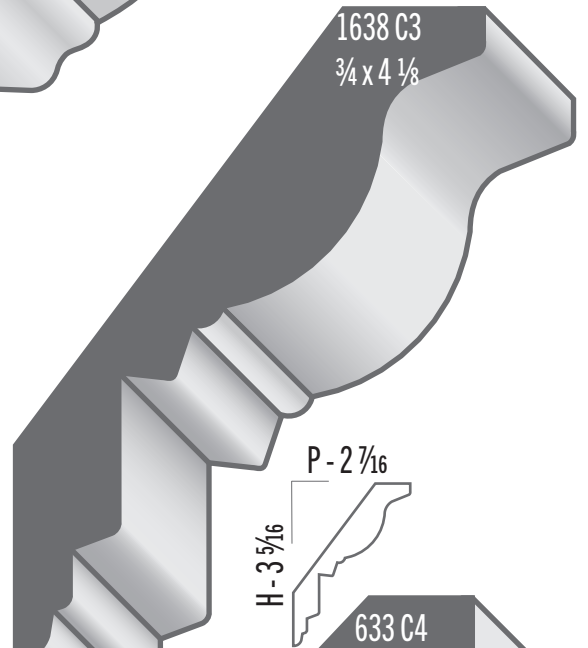
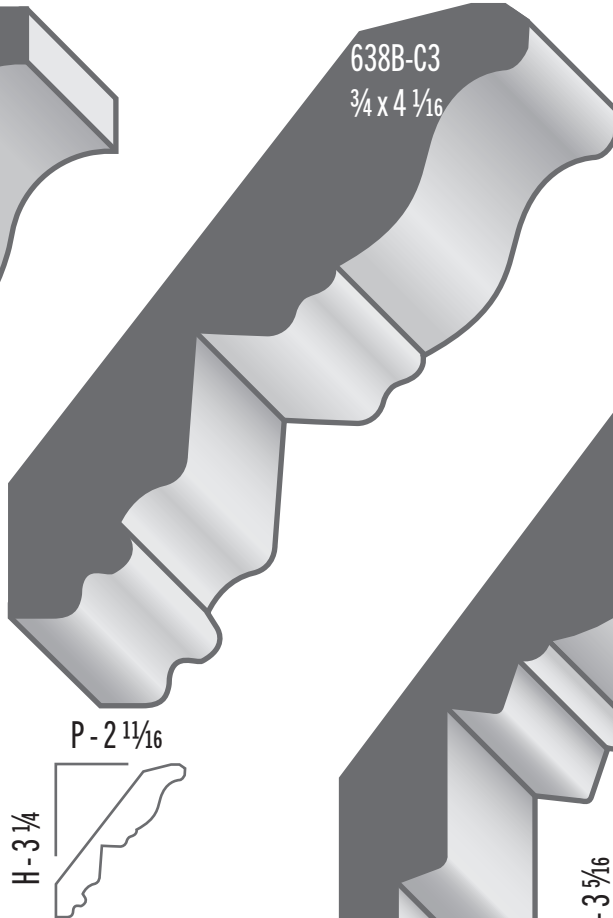
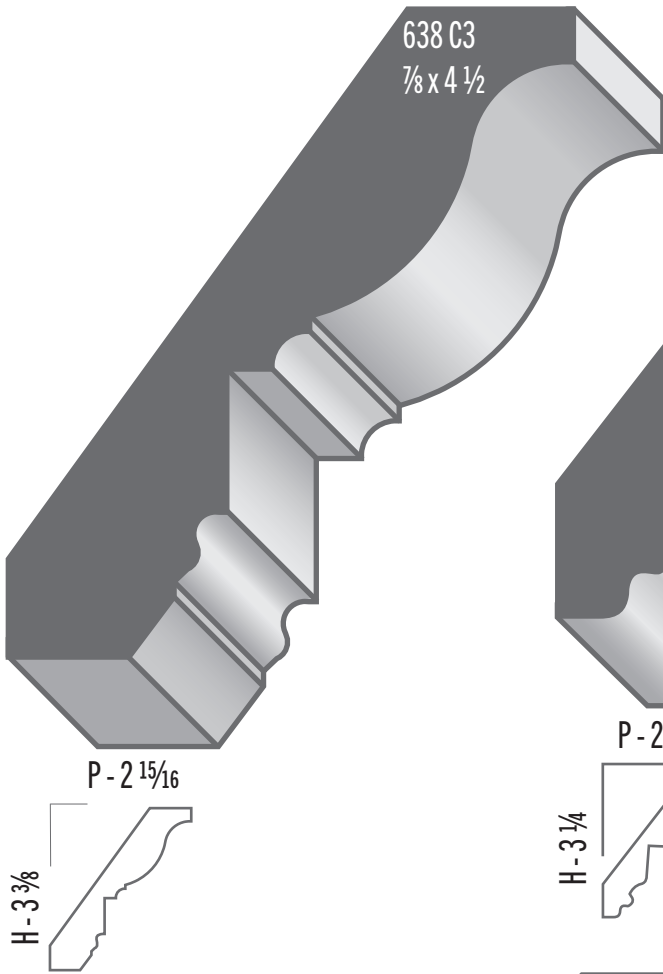
1352 C2  
3/4 x 2 3/8

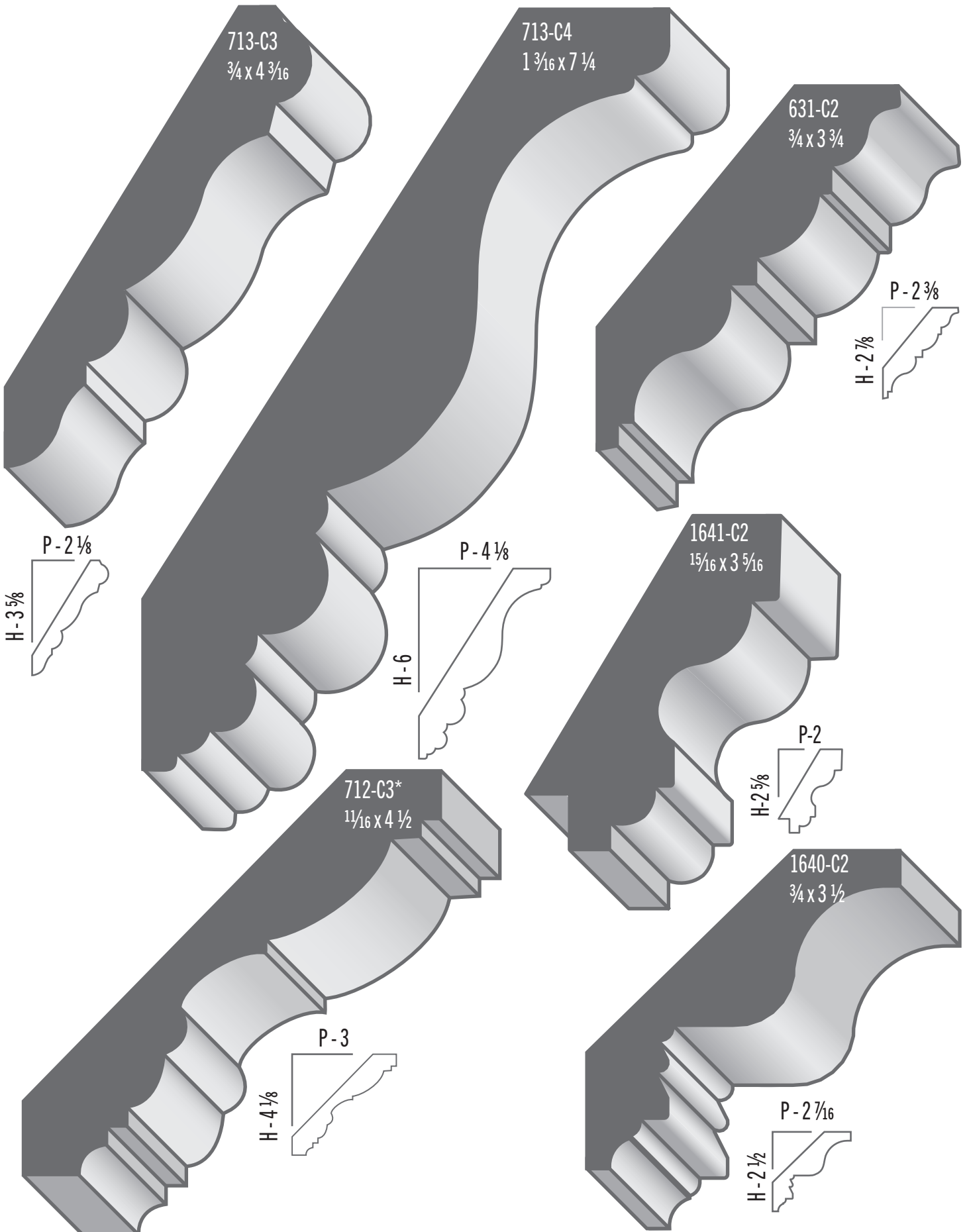


643-C3  
1x4

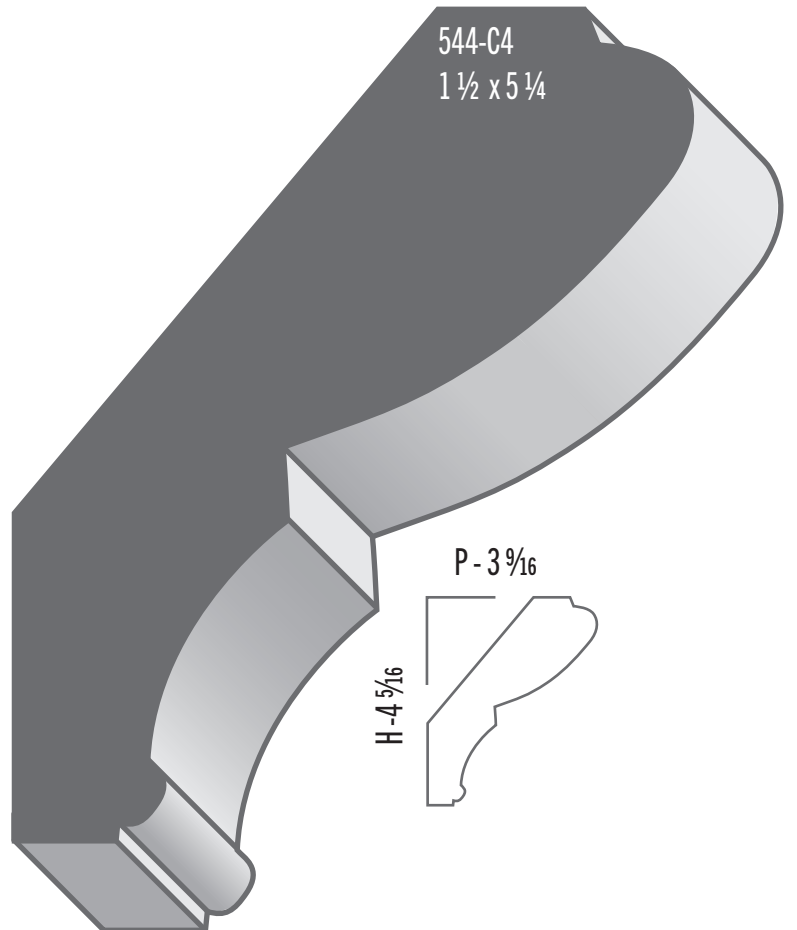
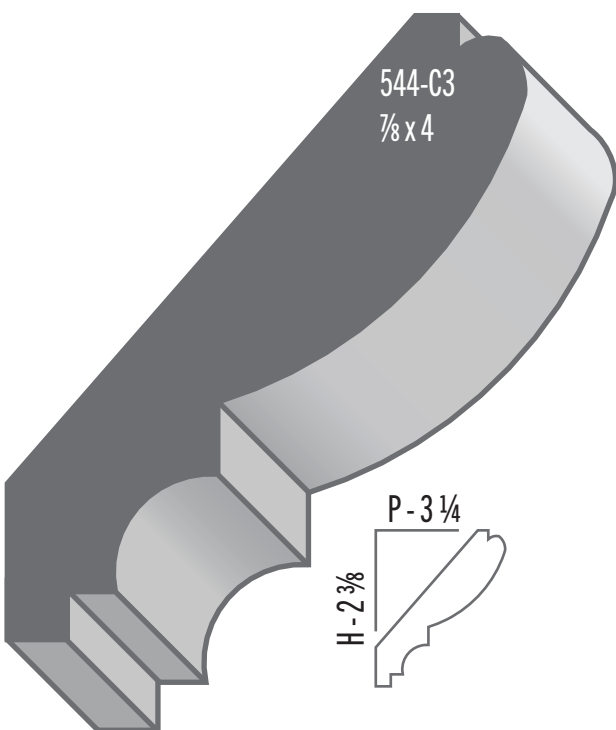
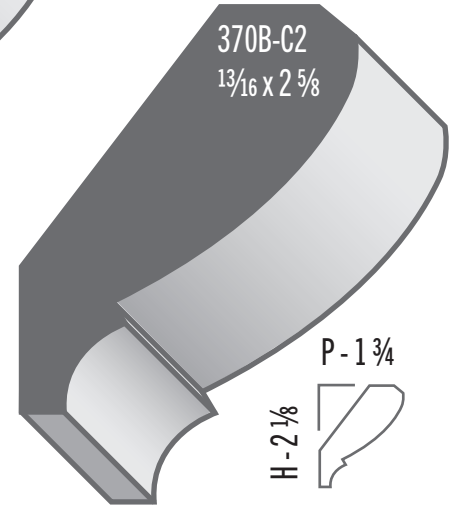
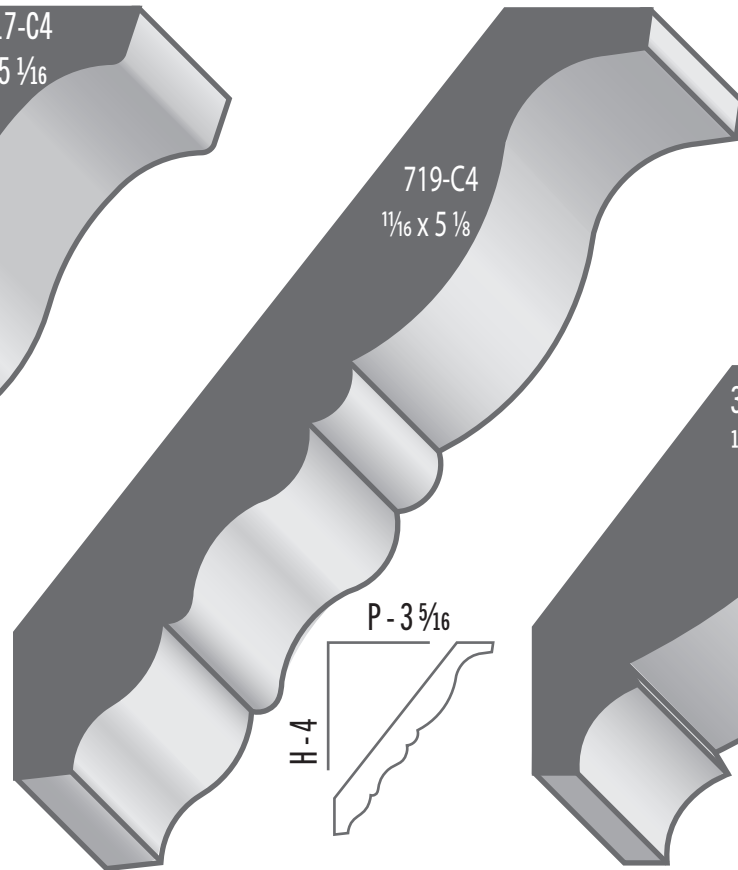
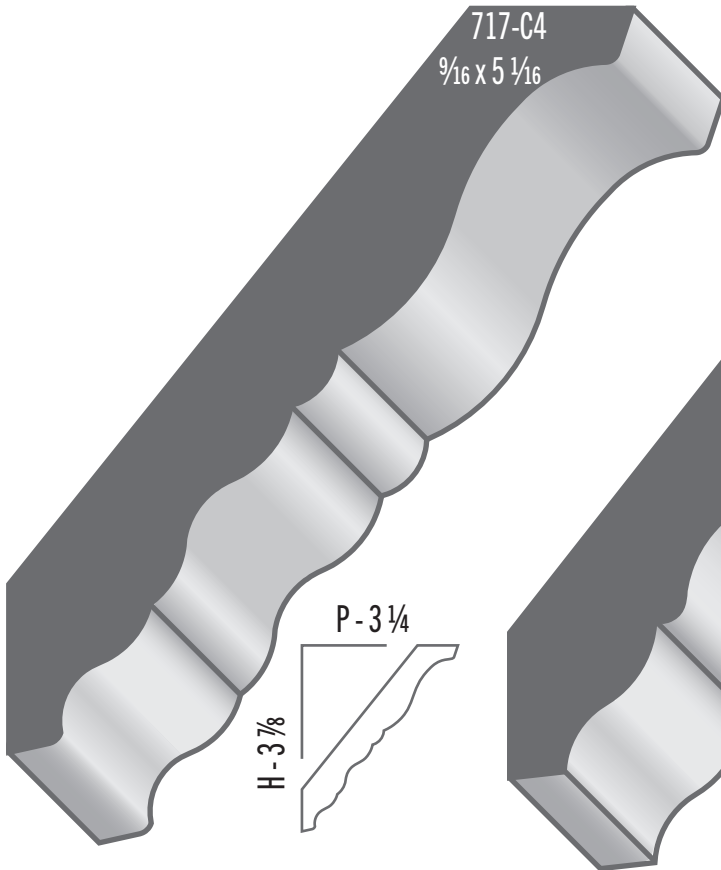


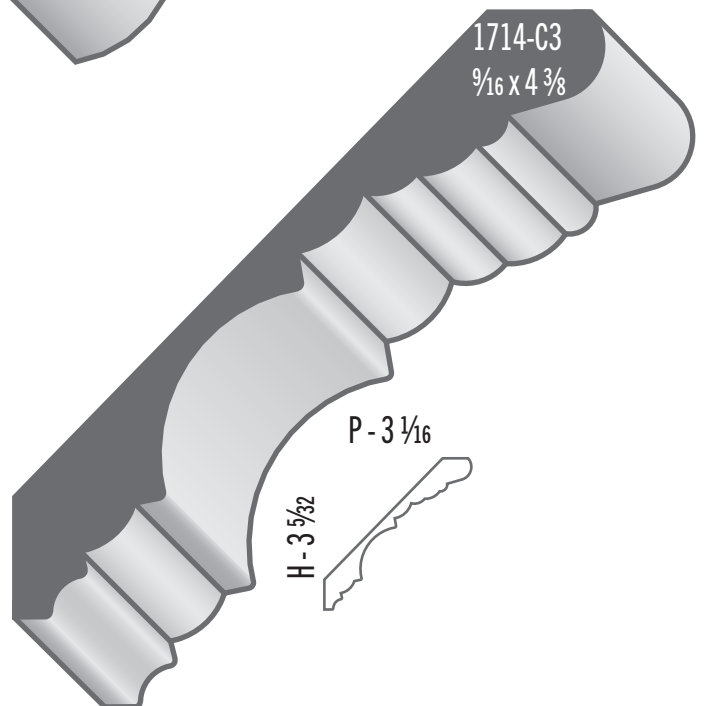
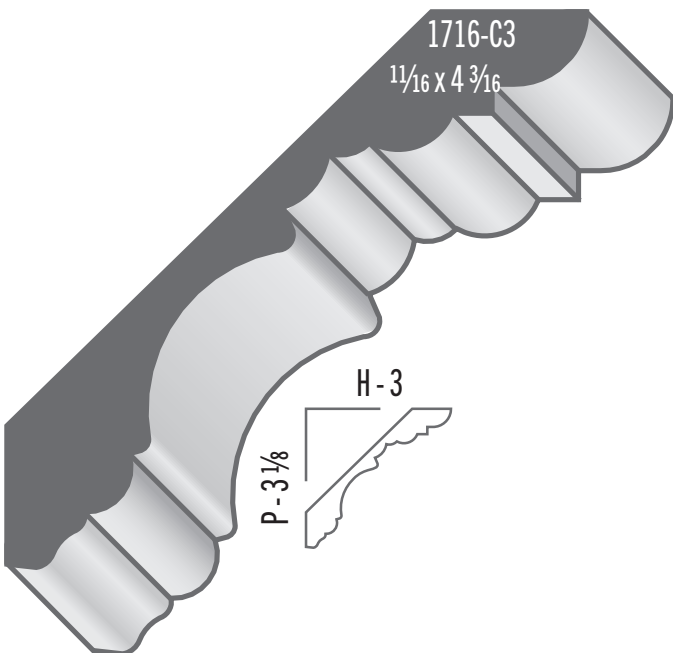
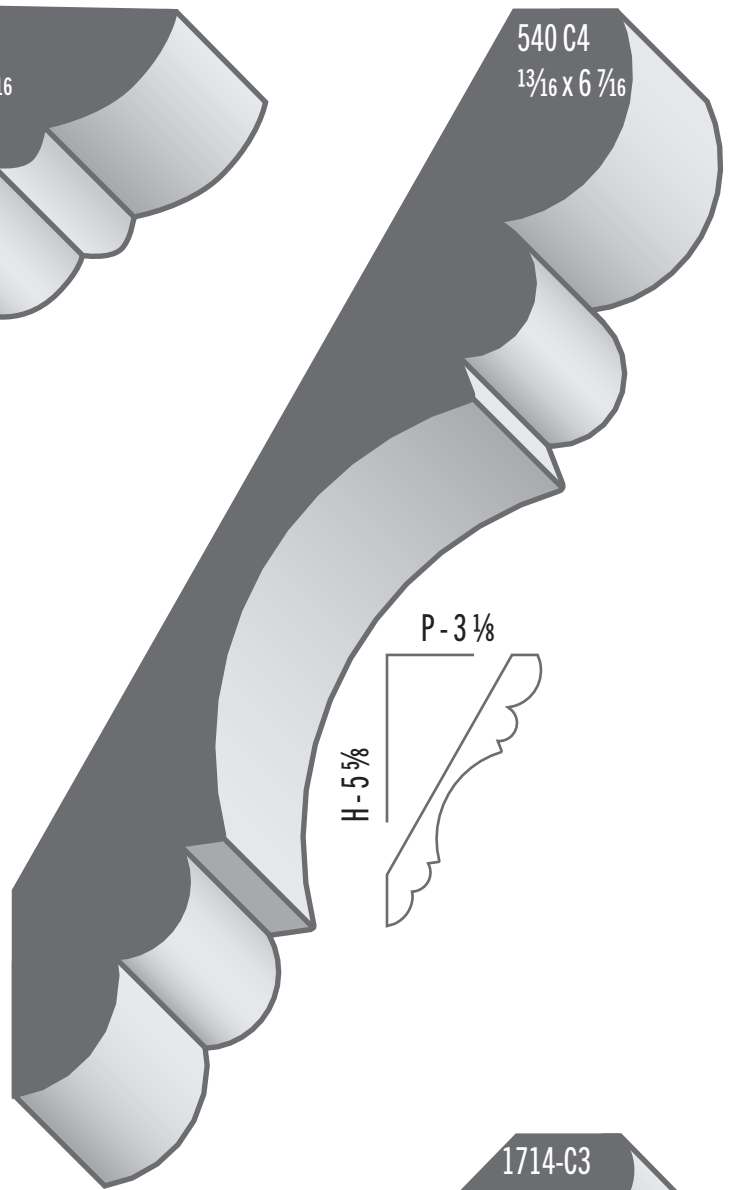
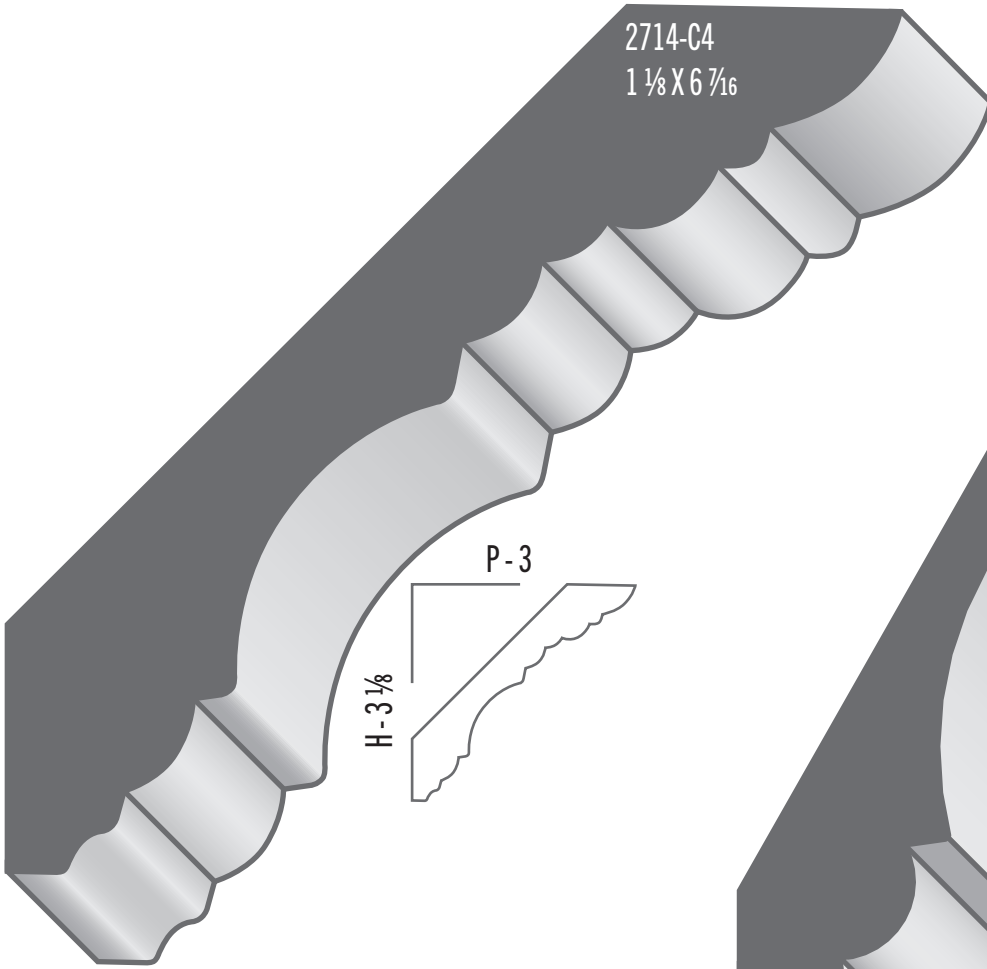


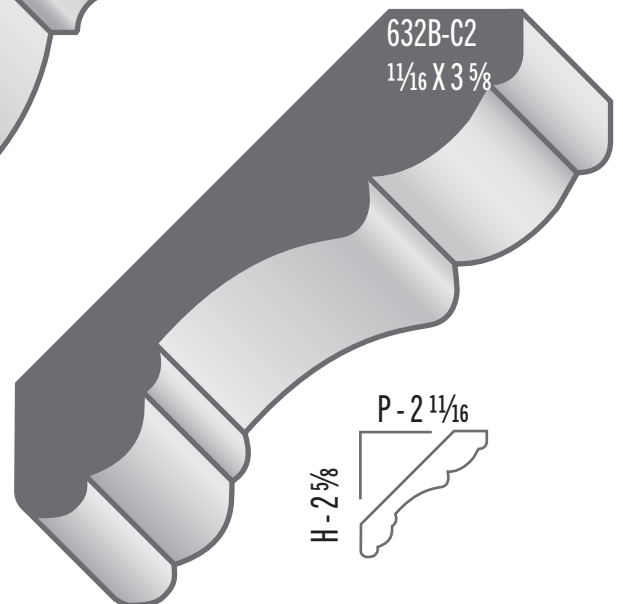
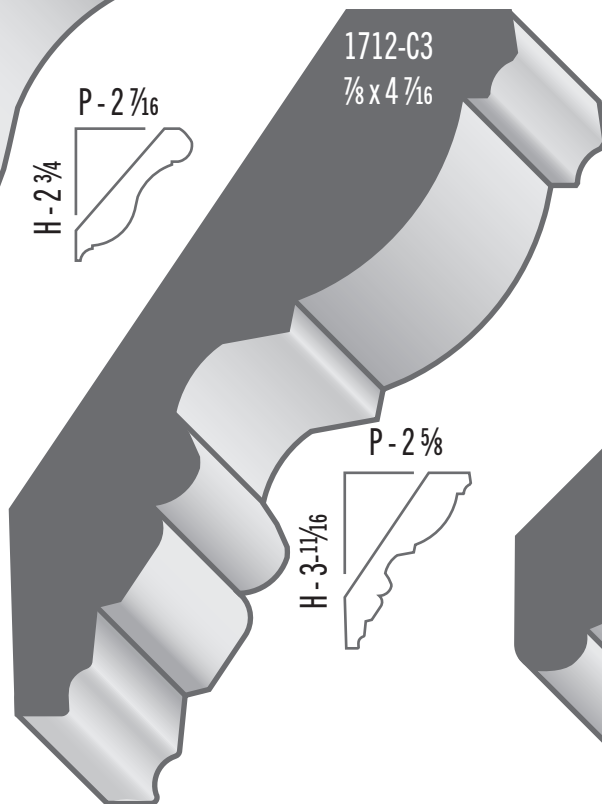
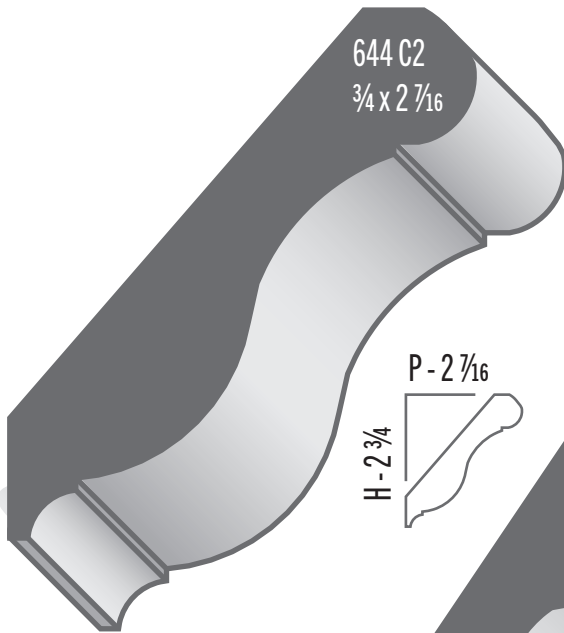
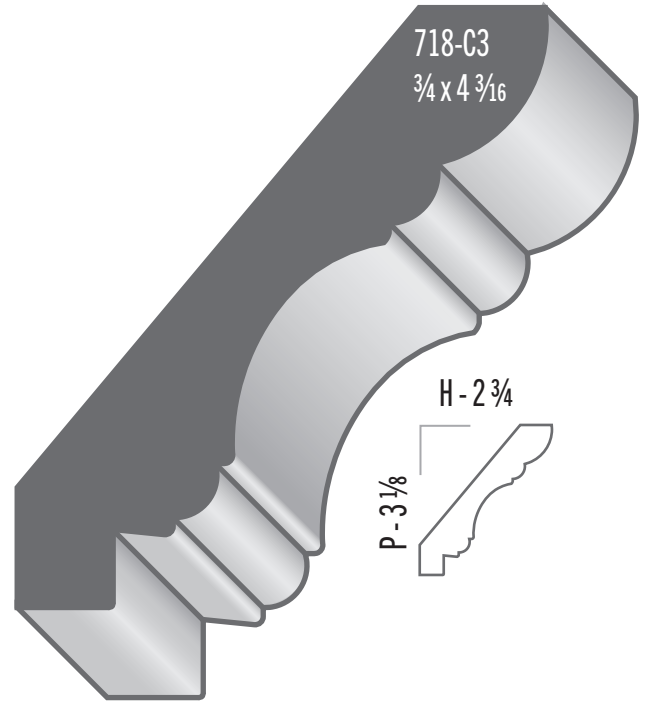
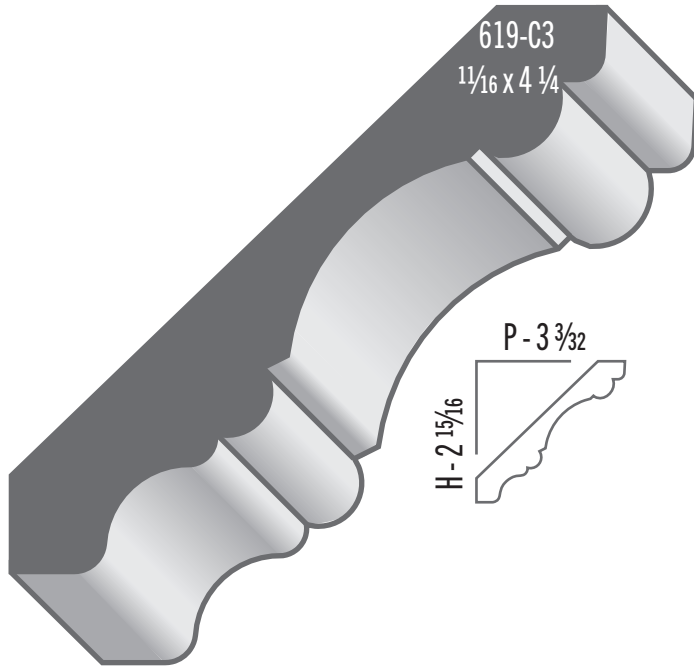


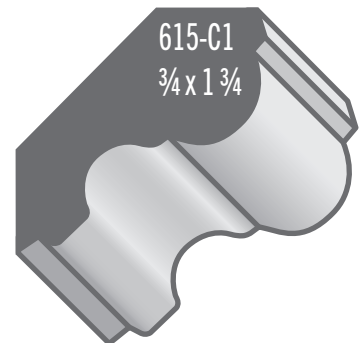
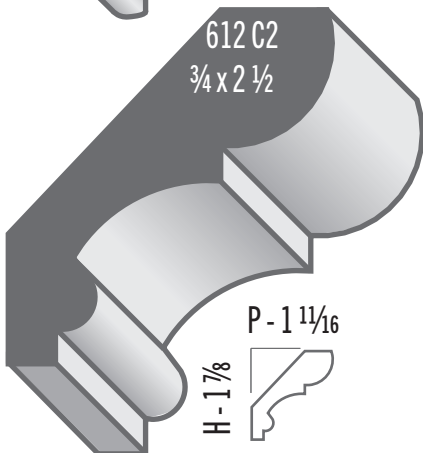
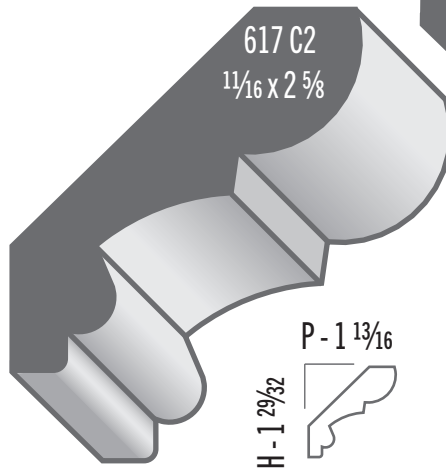
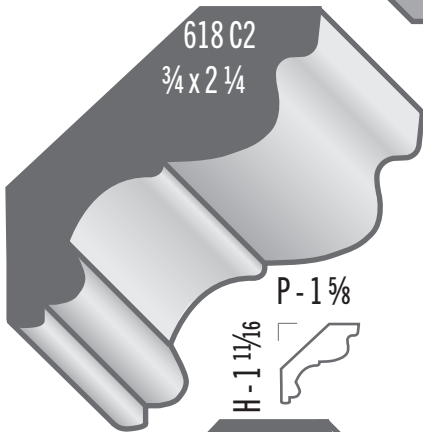
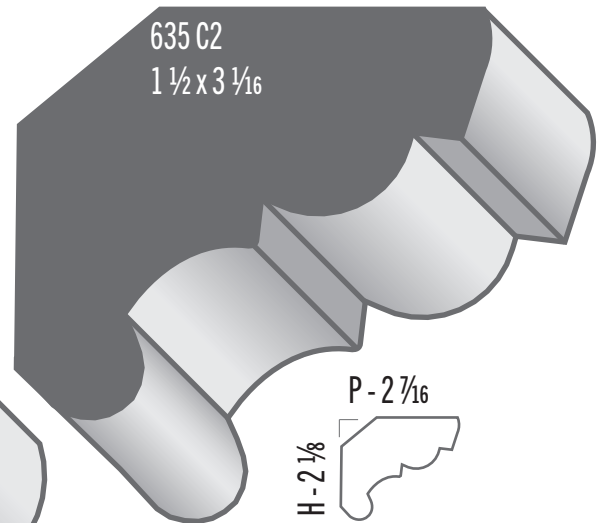
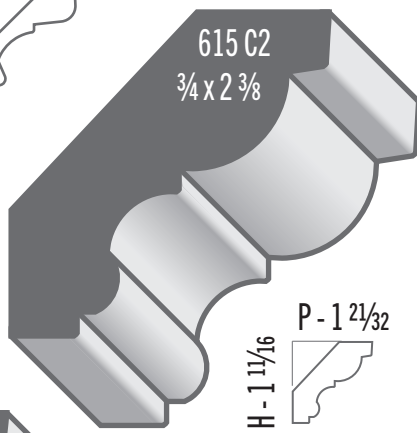
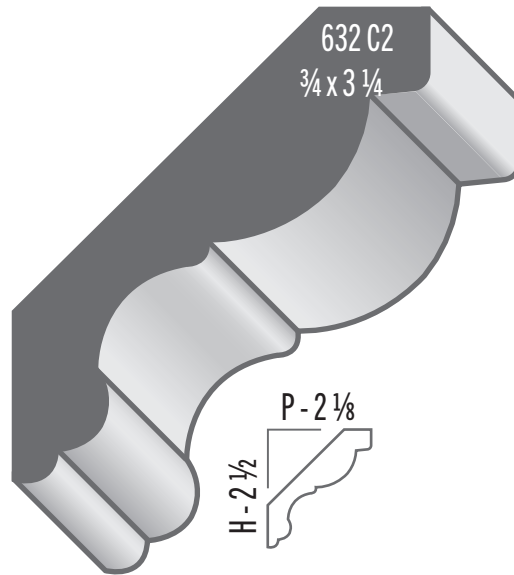
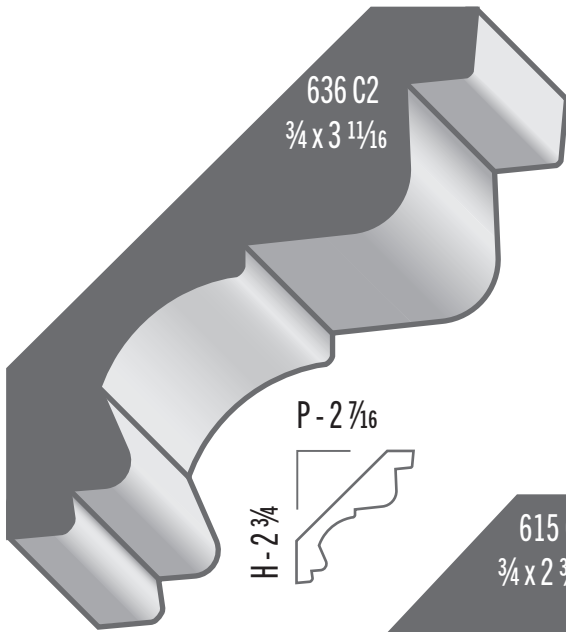


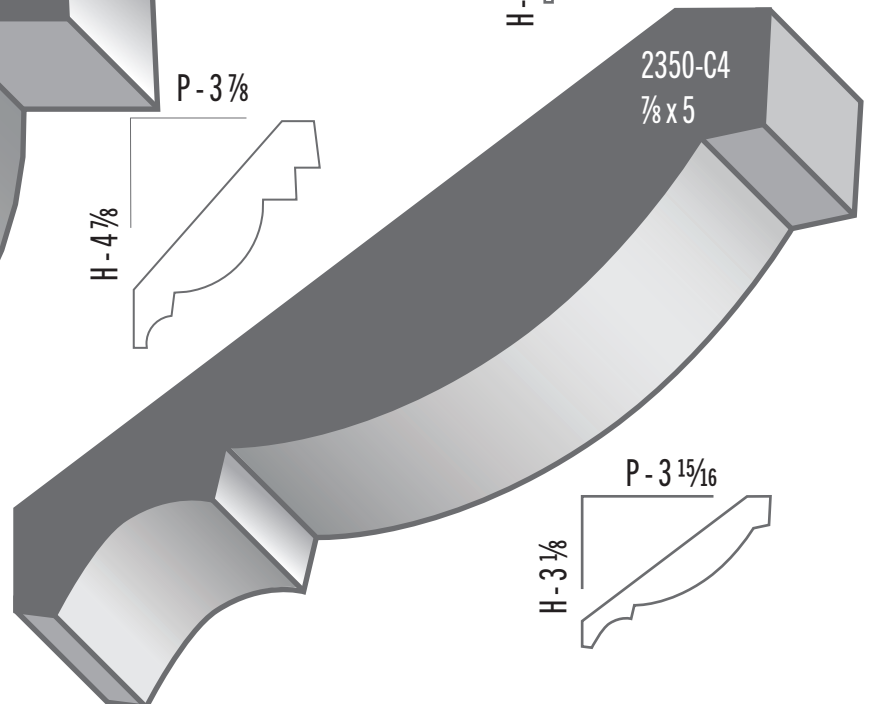
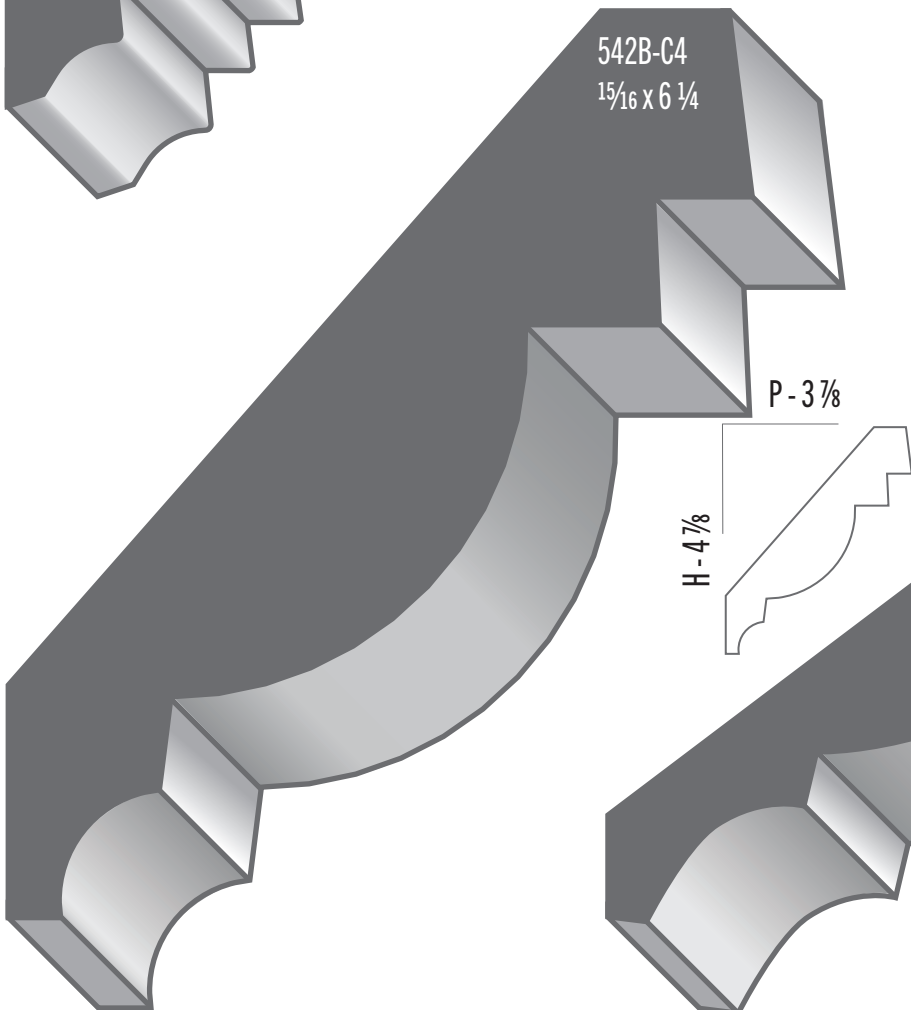
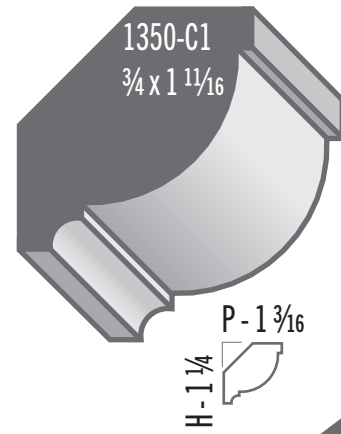
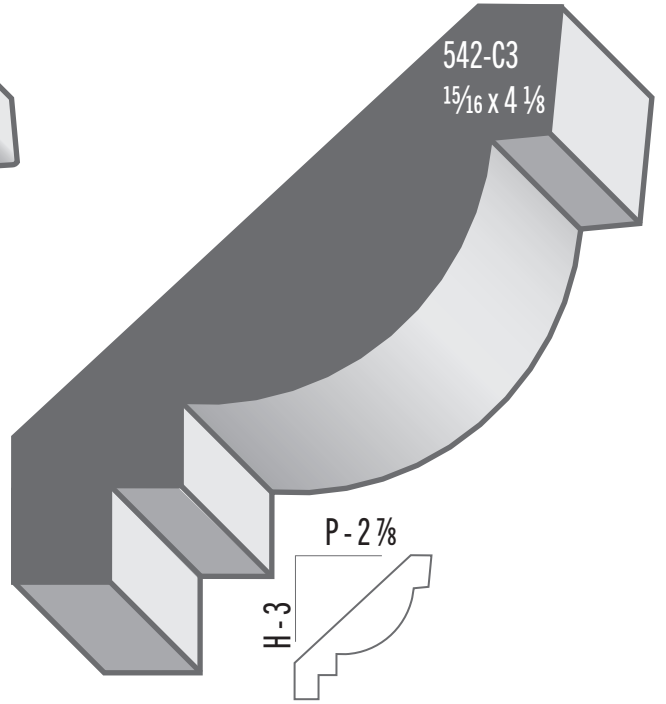
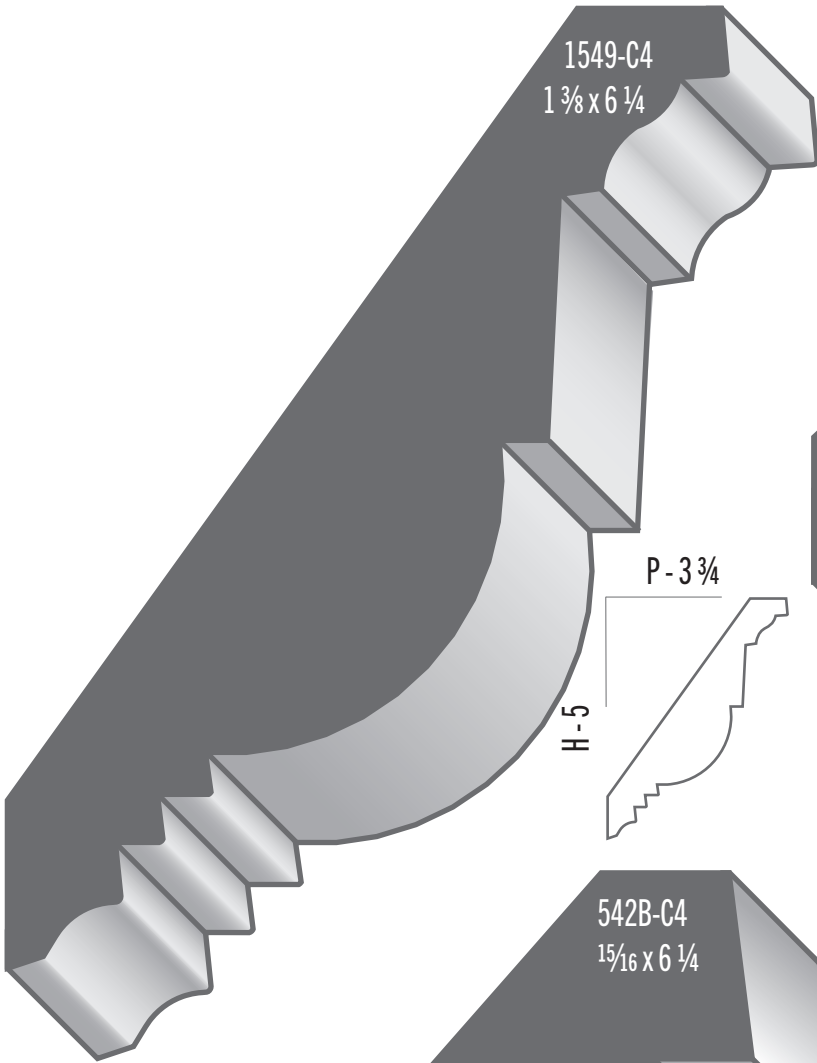


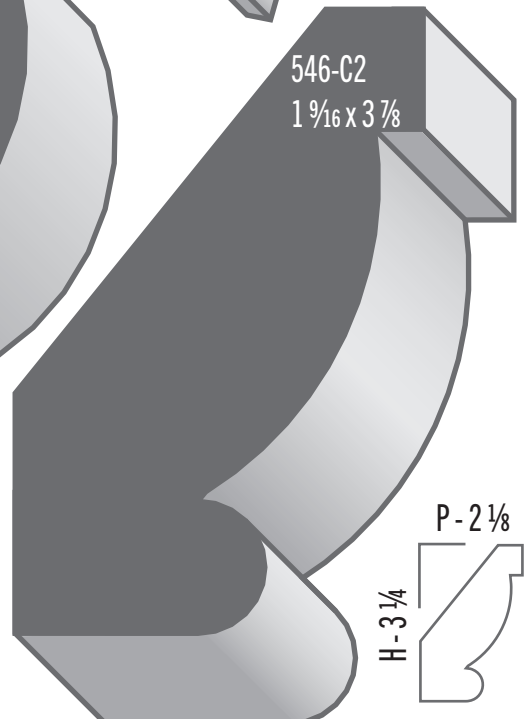
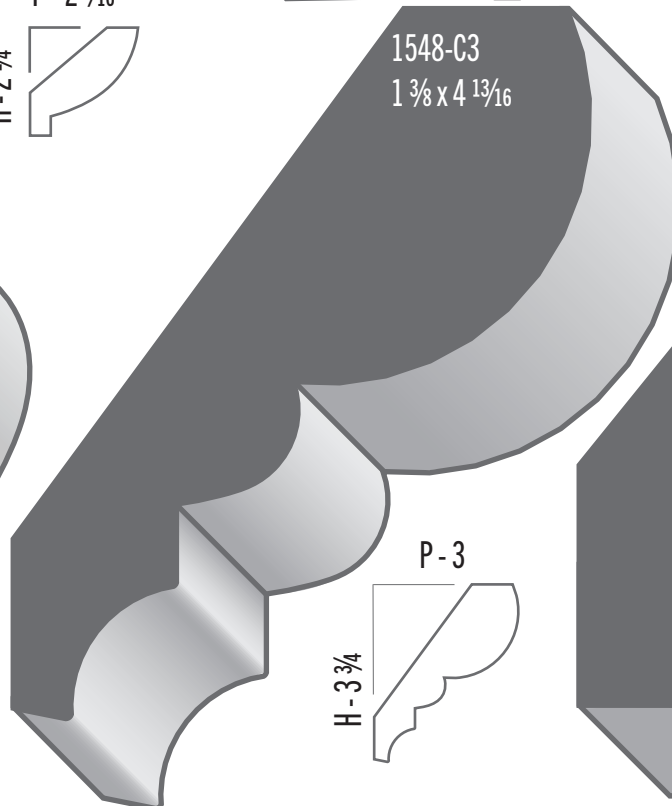
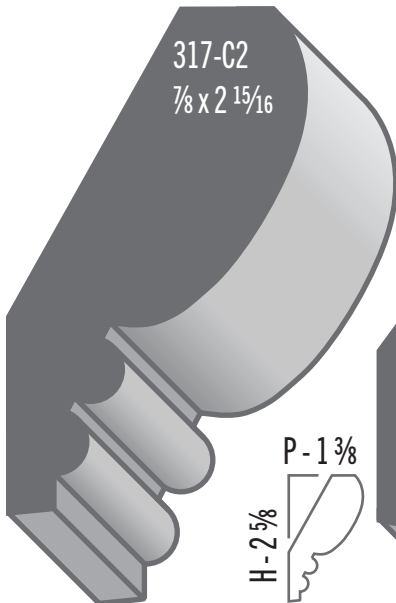
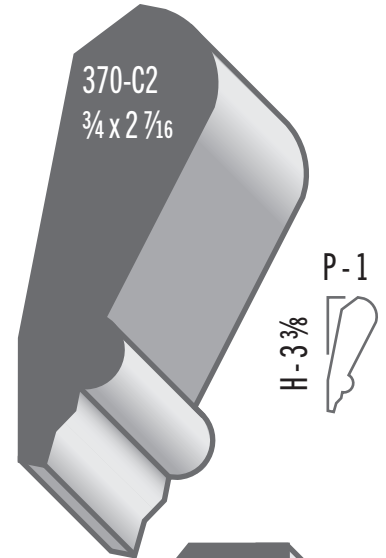
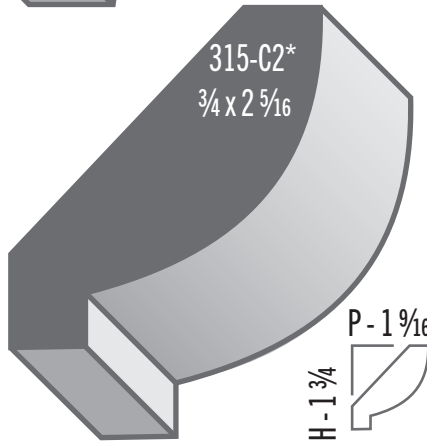
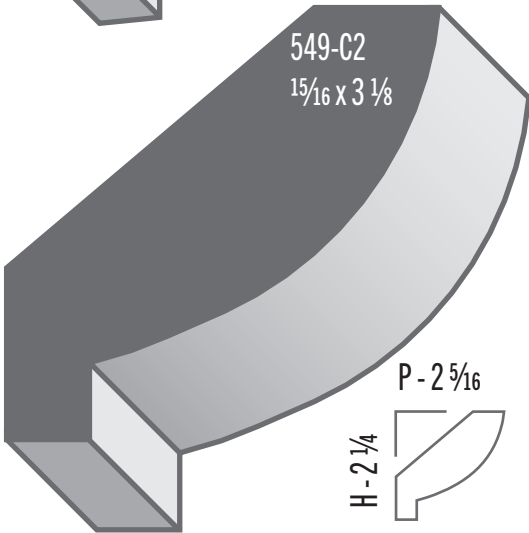
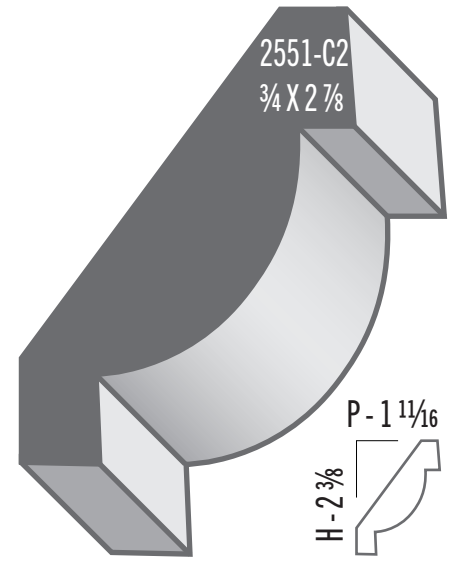
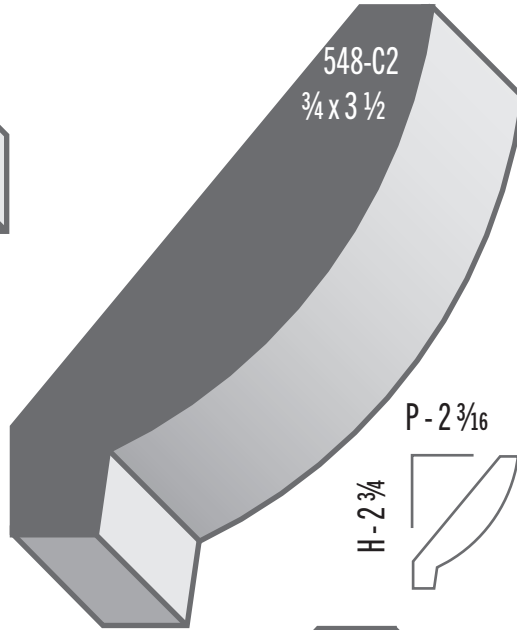
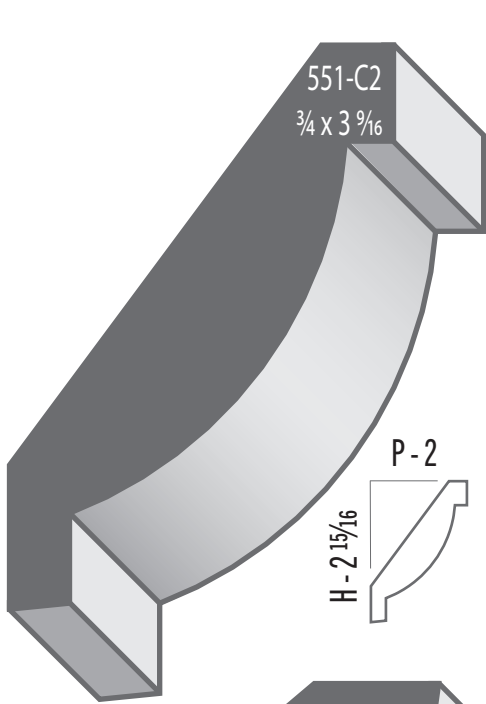


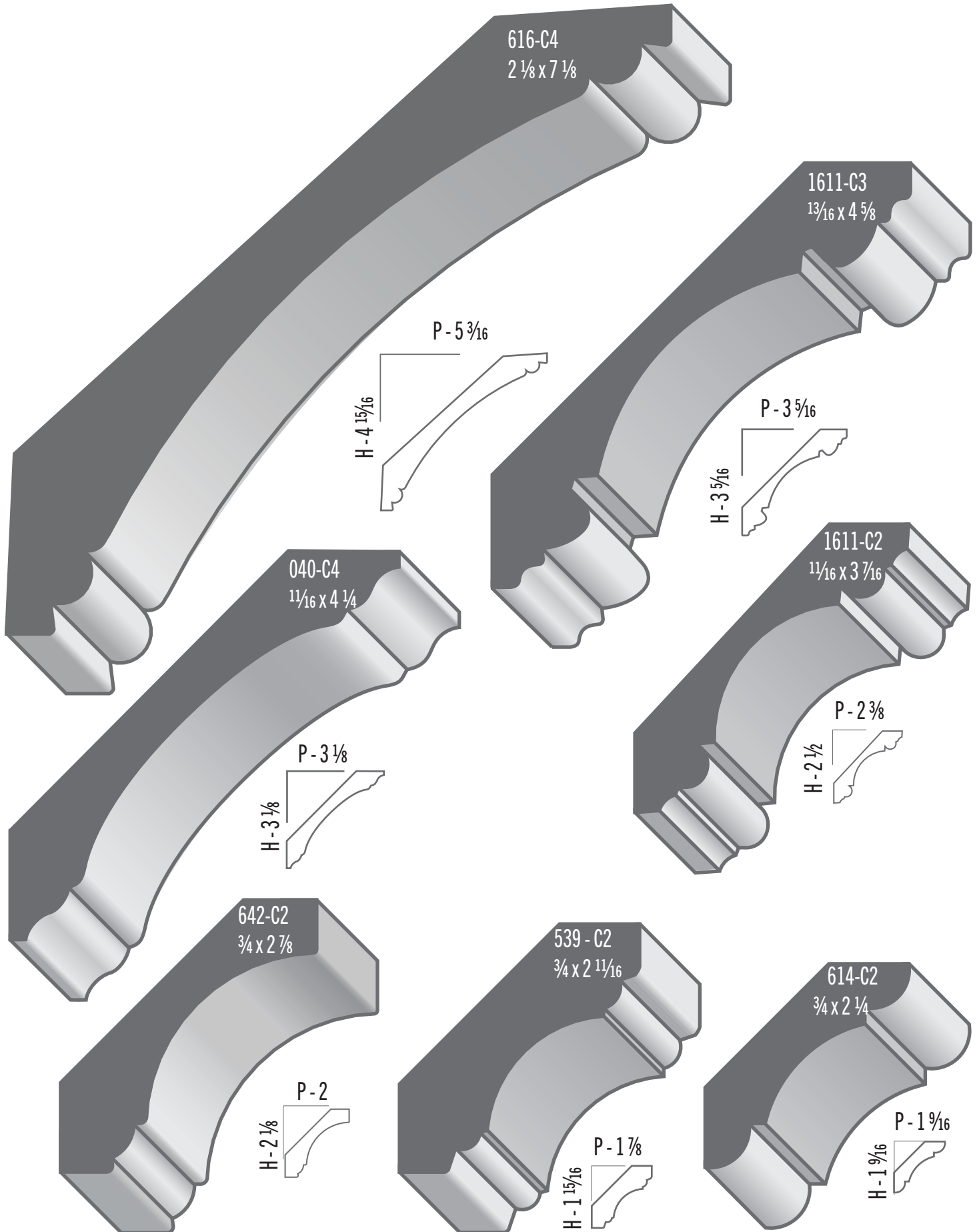


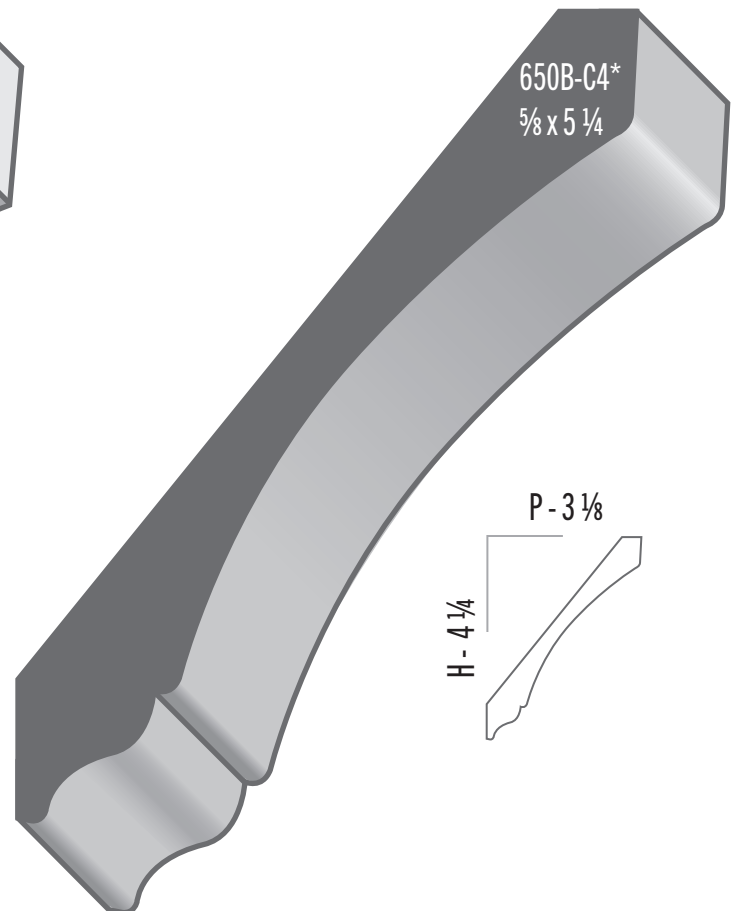
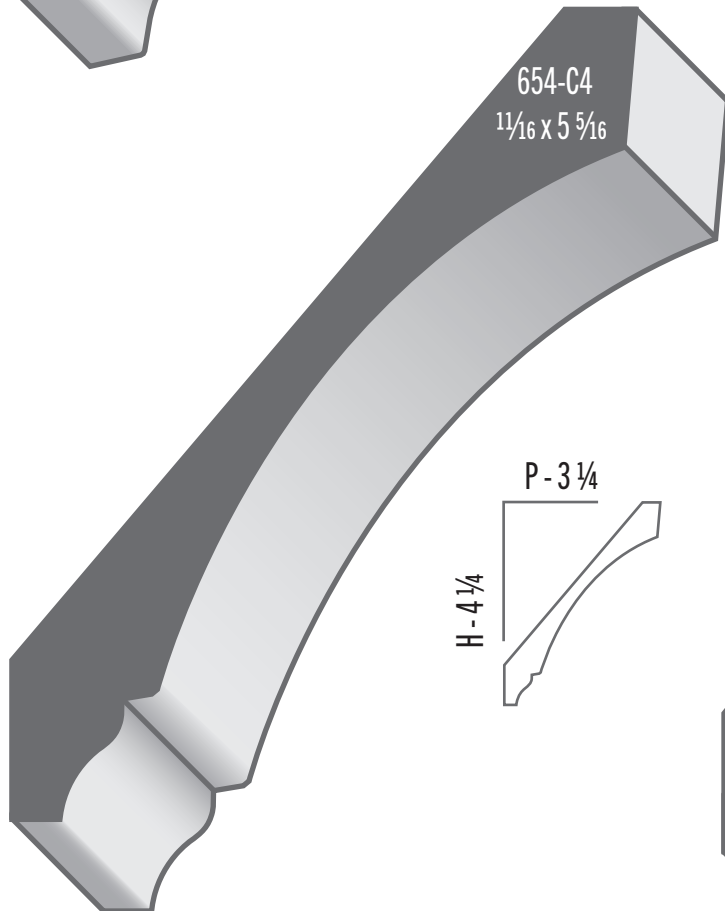
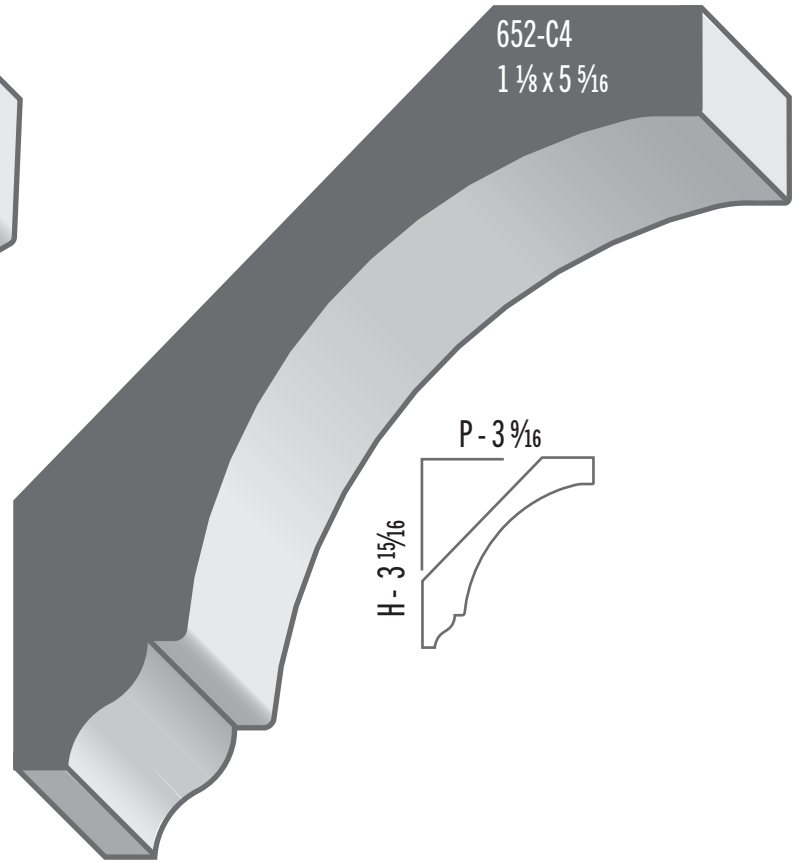
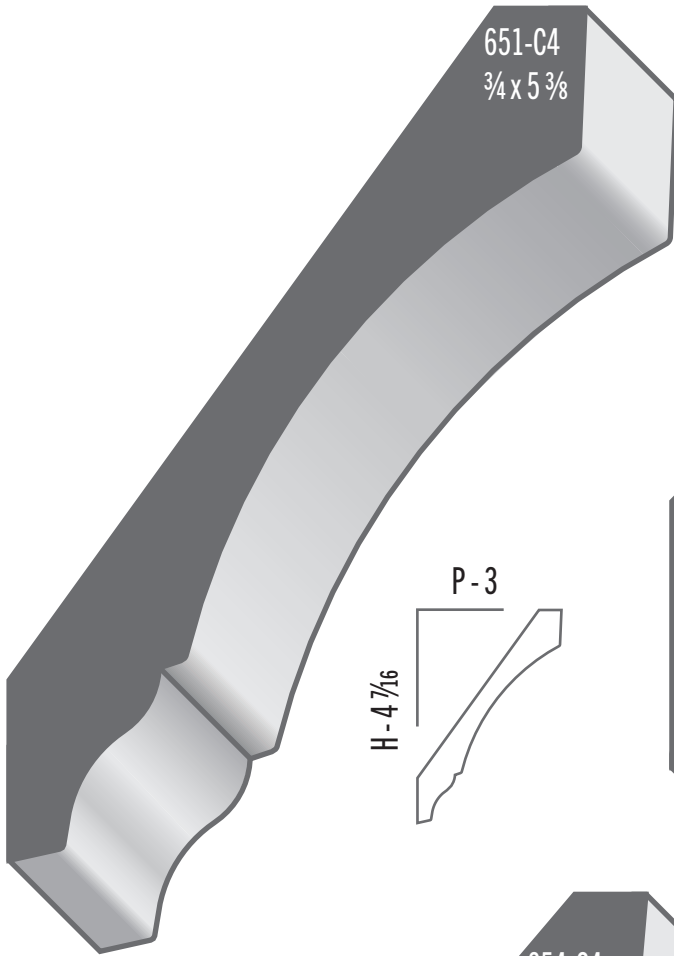




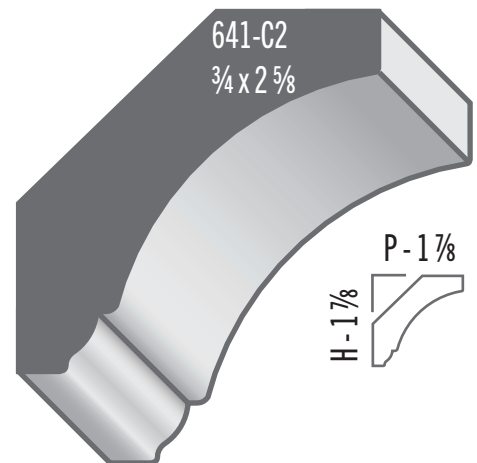
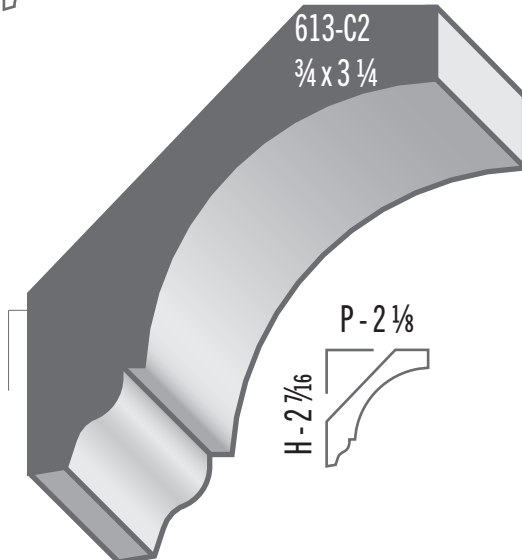
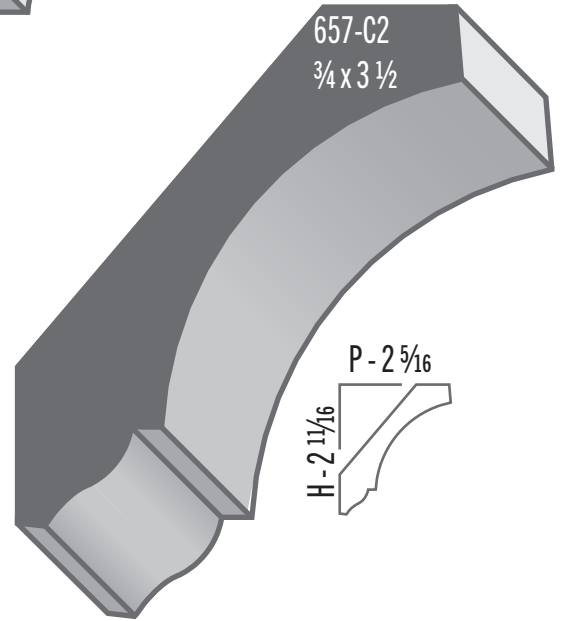
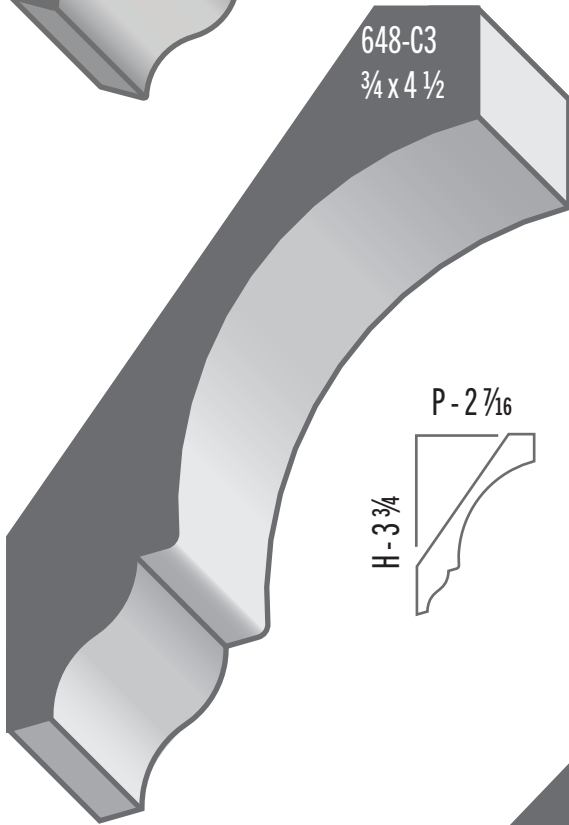
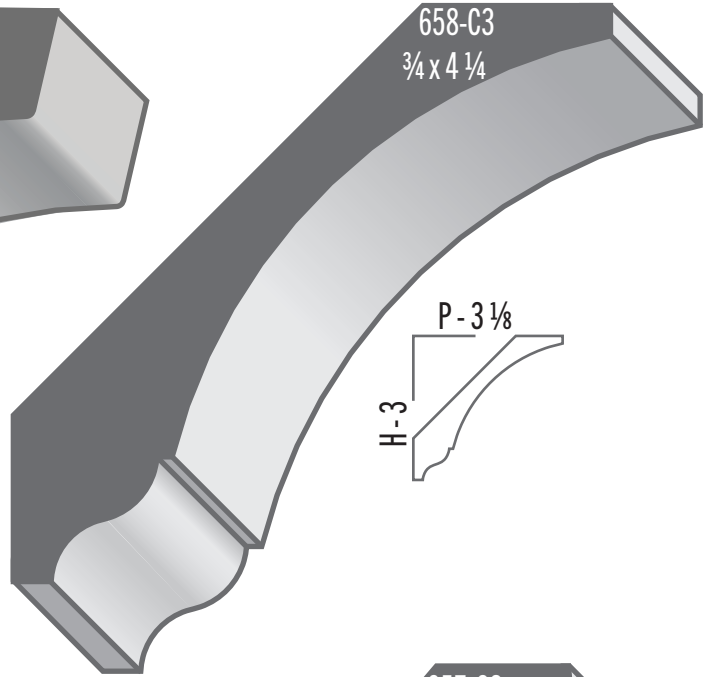
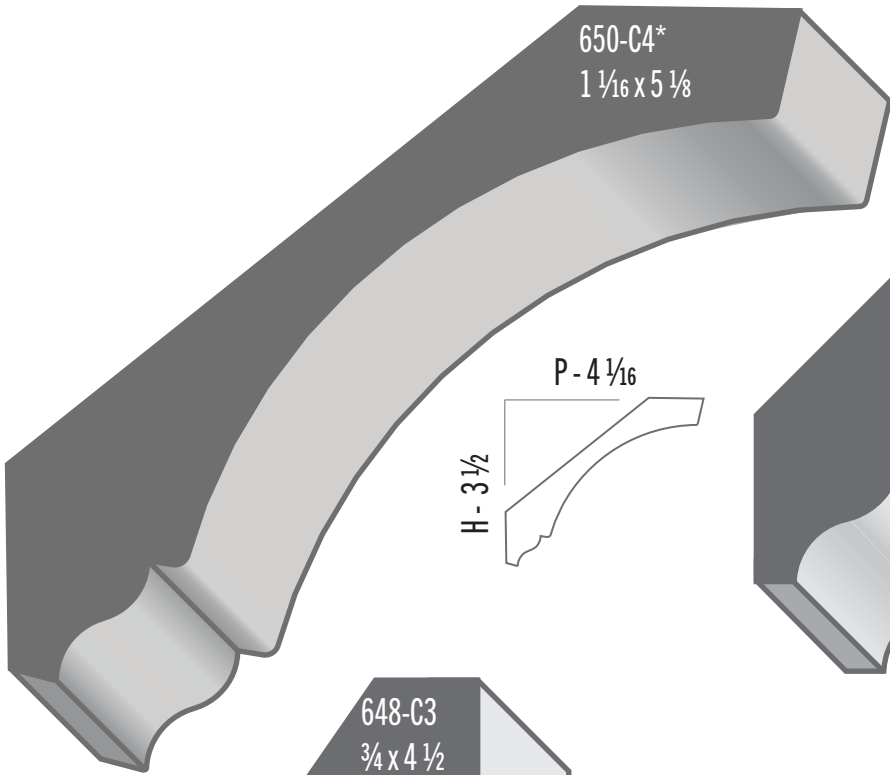


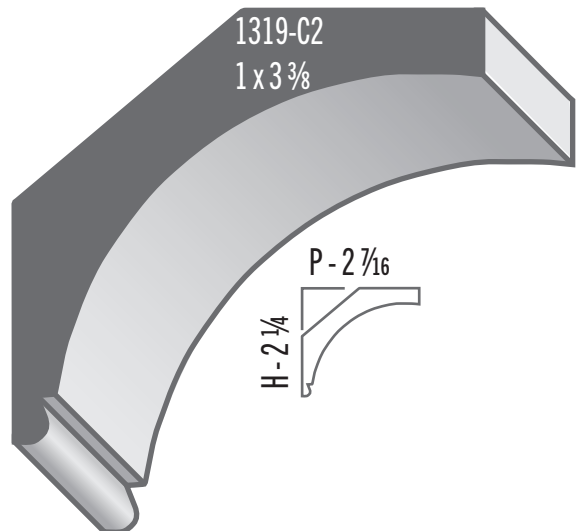
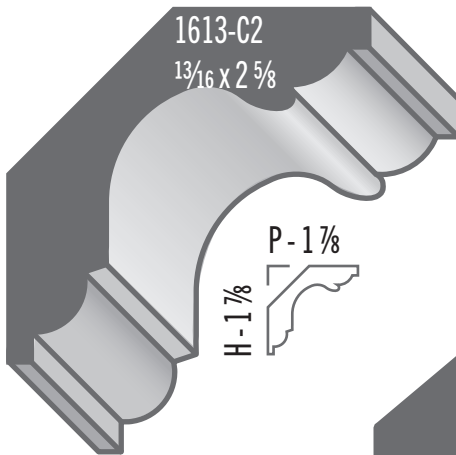
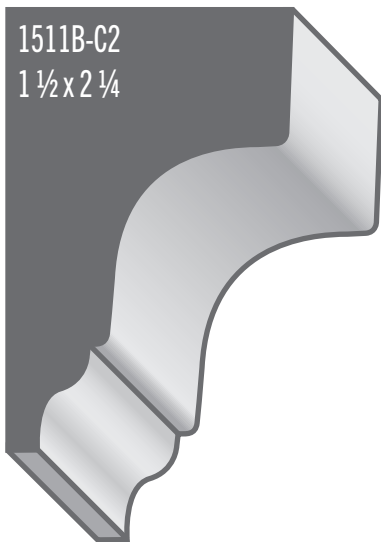
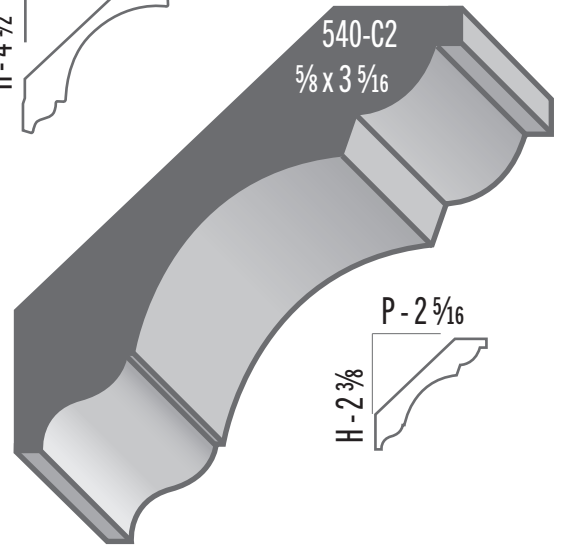
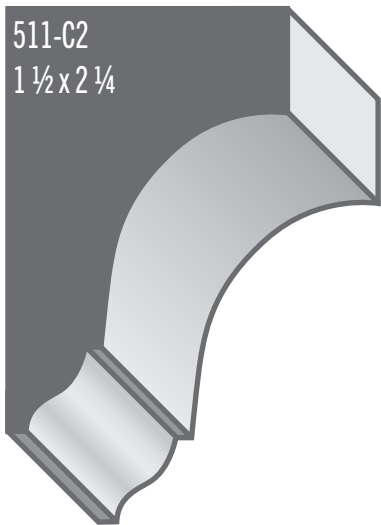
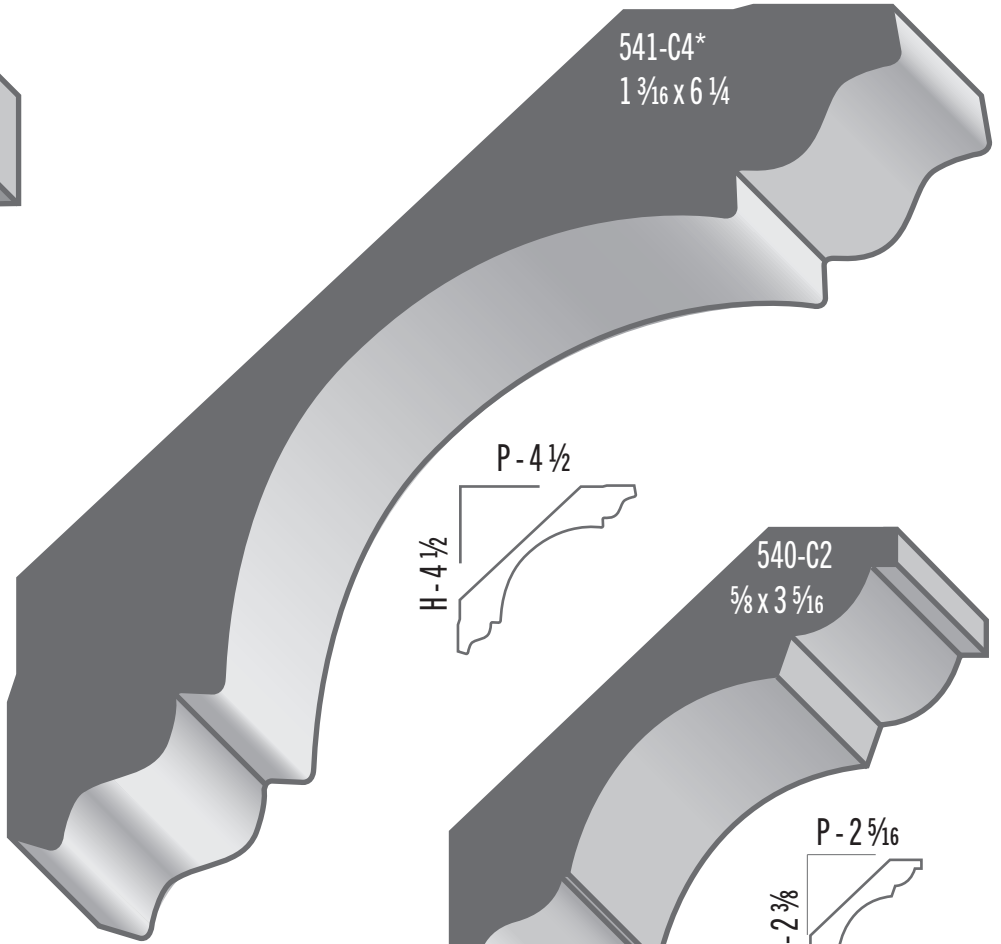
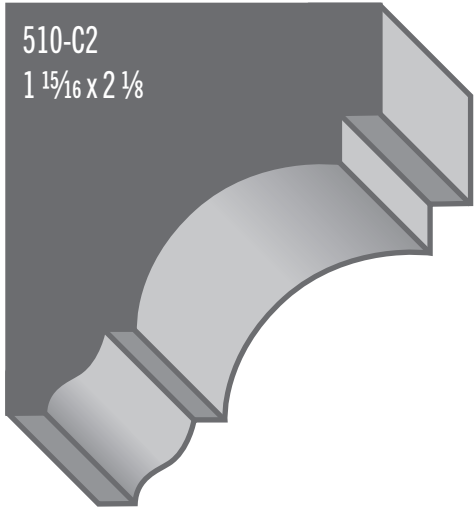


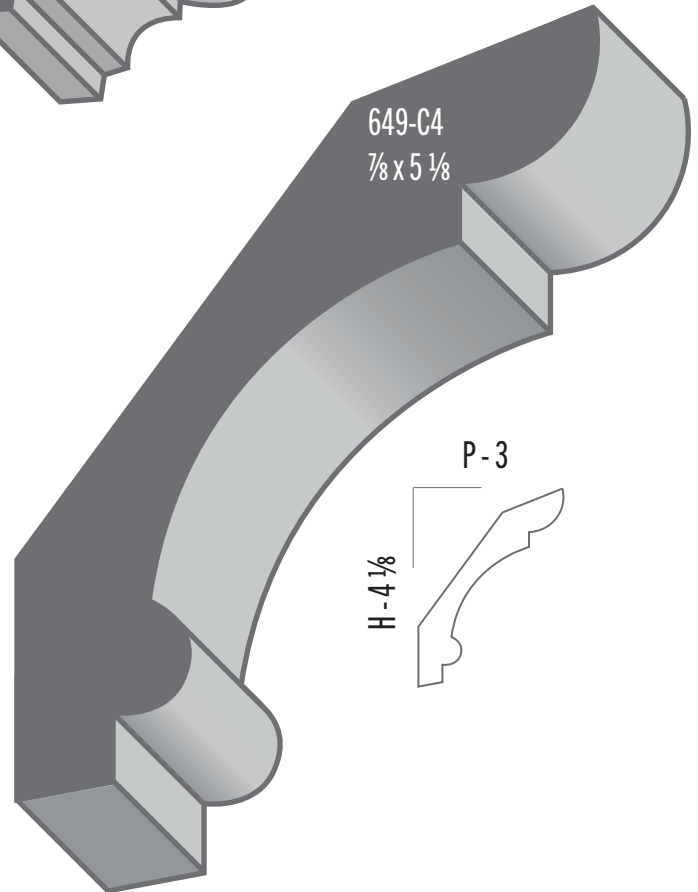
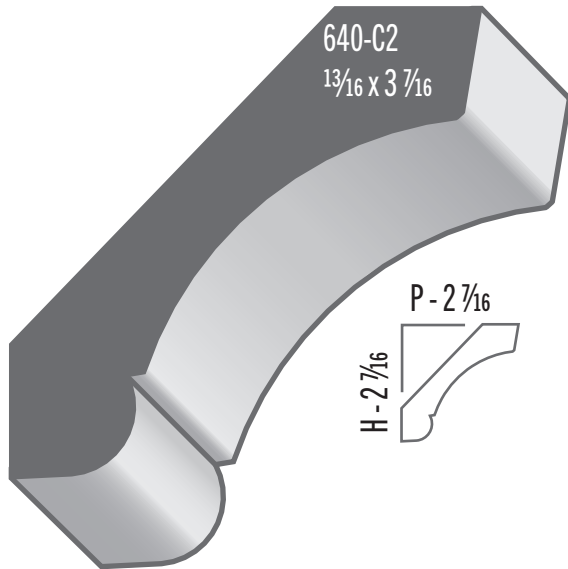
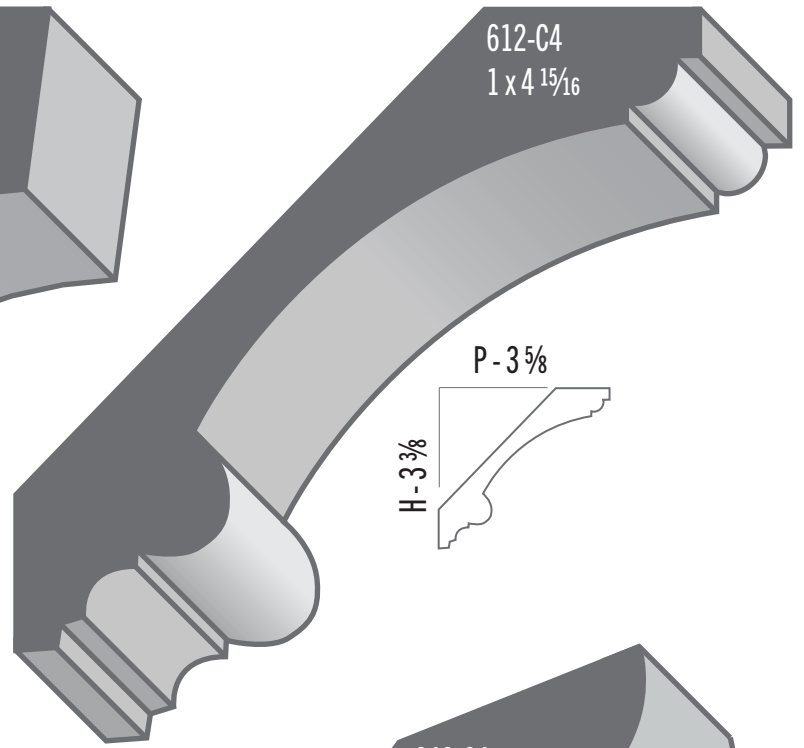
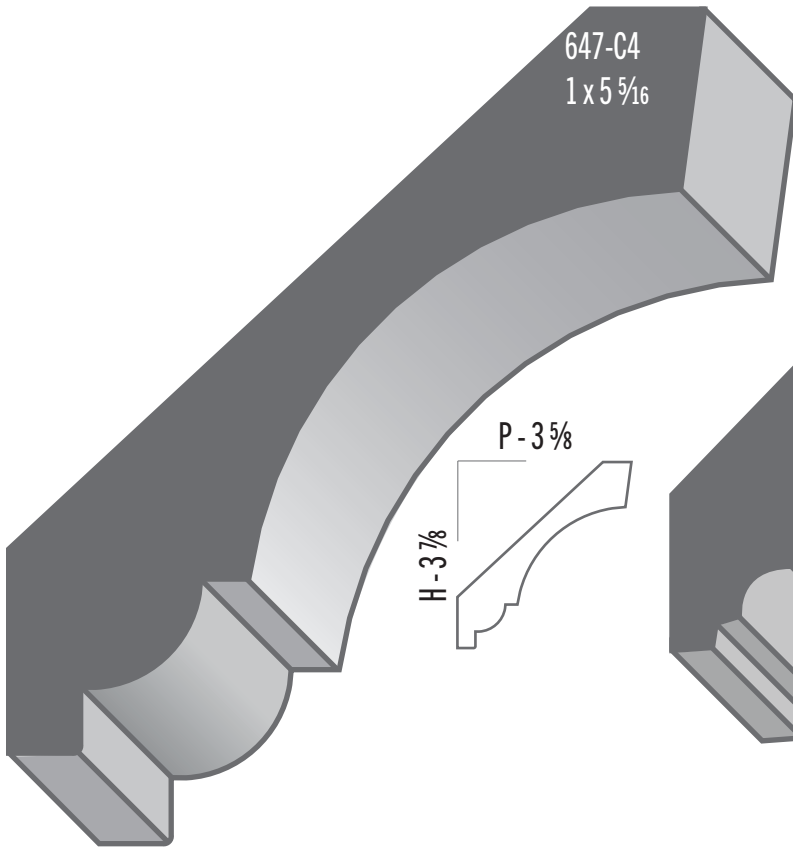


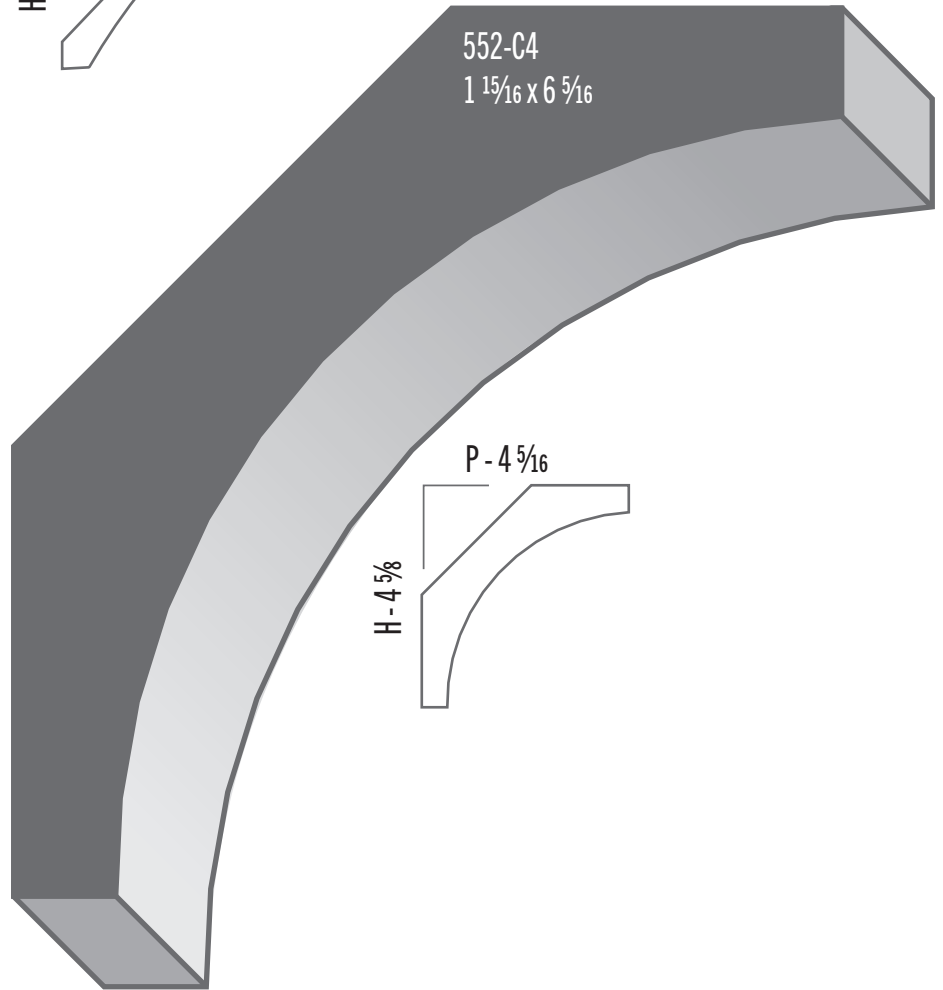
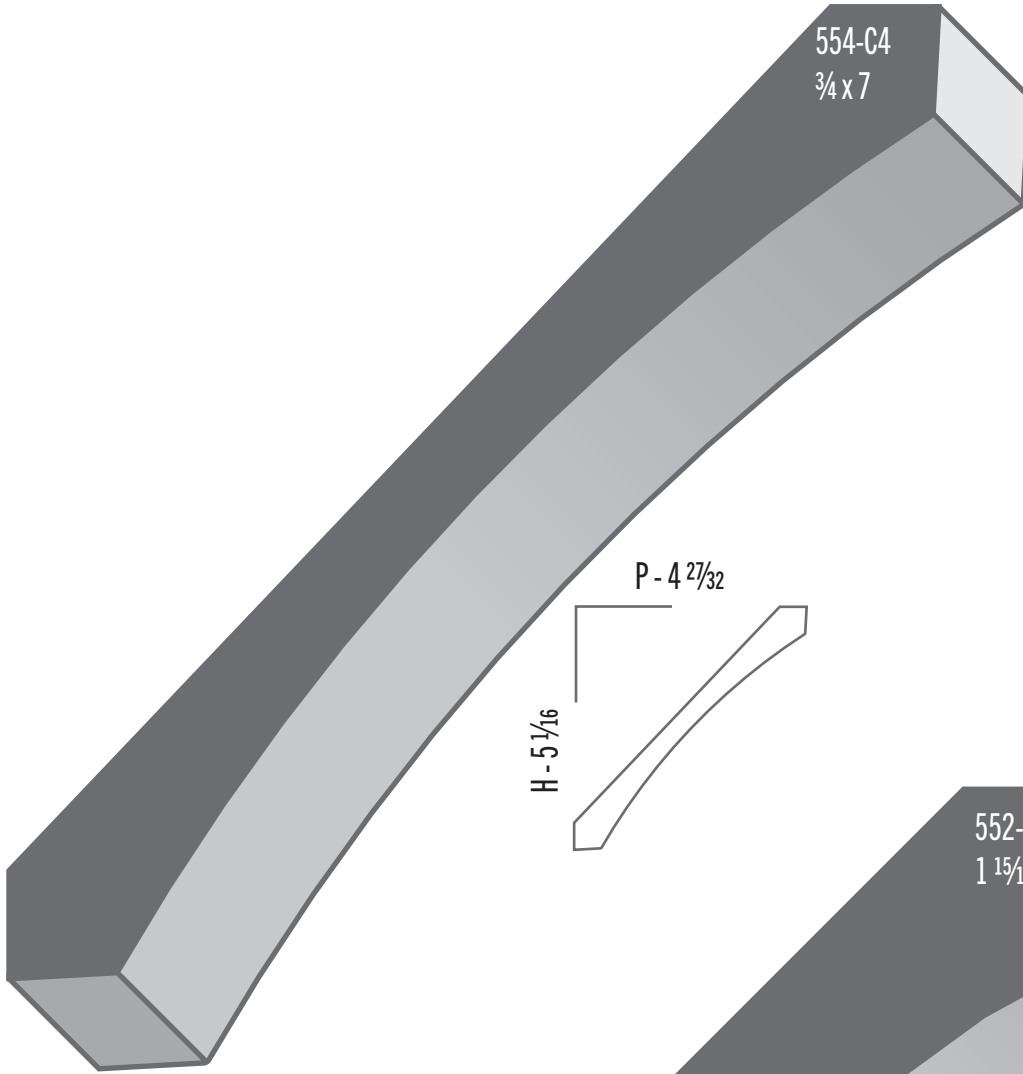


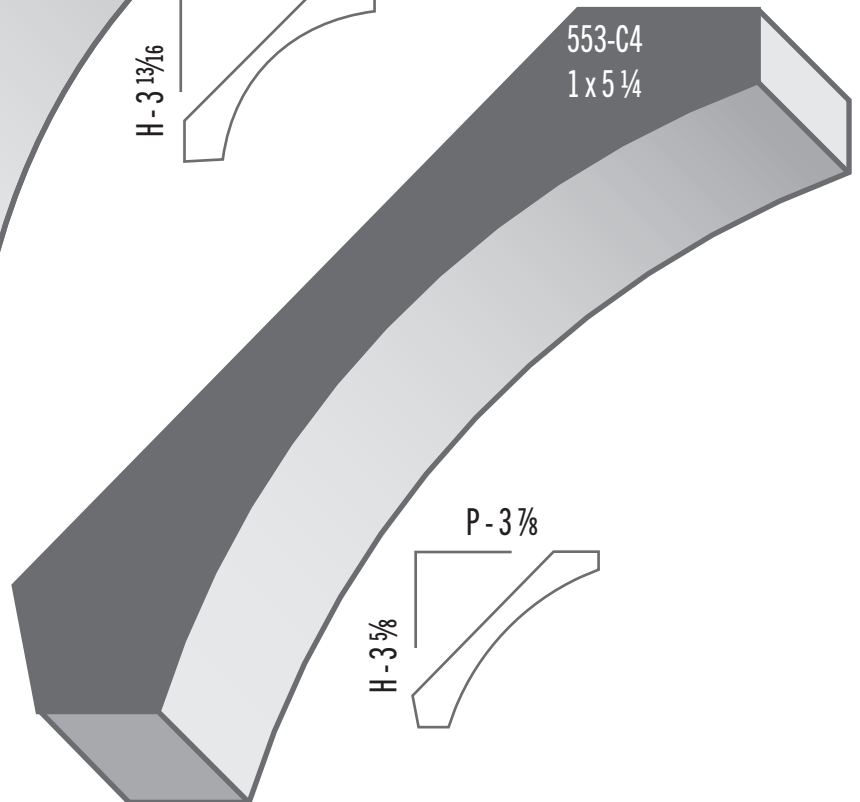
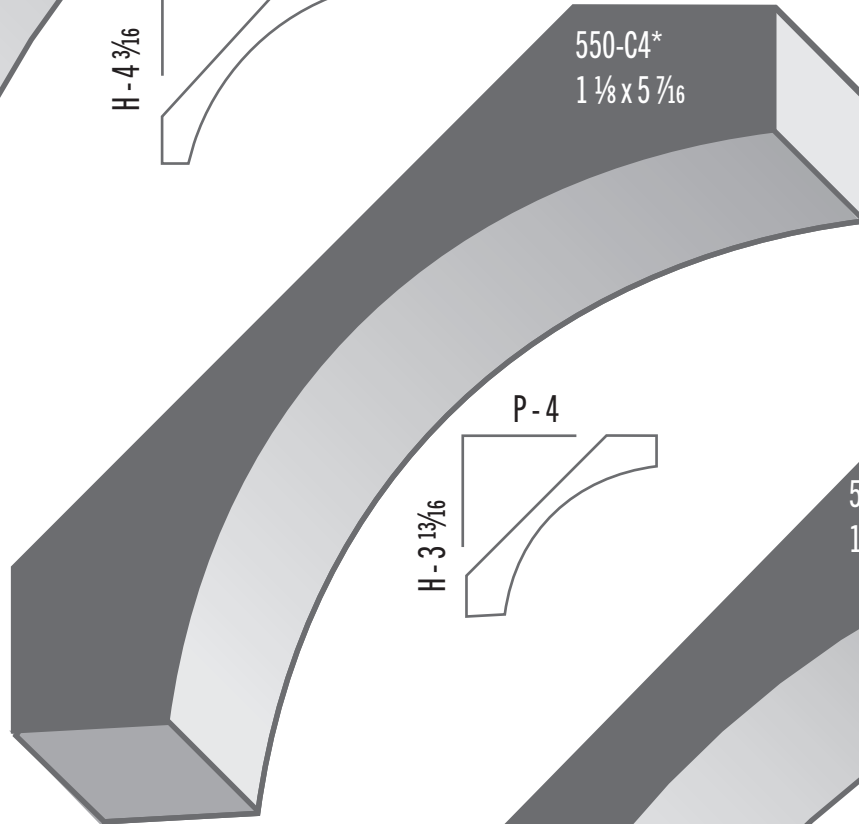
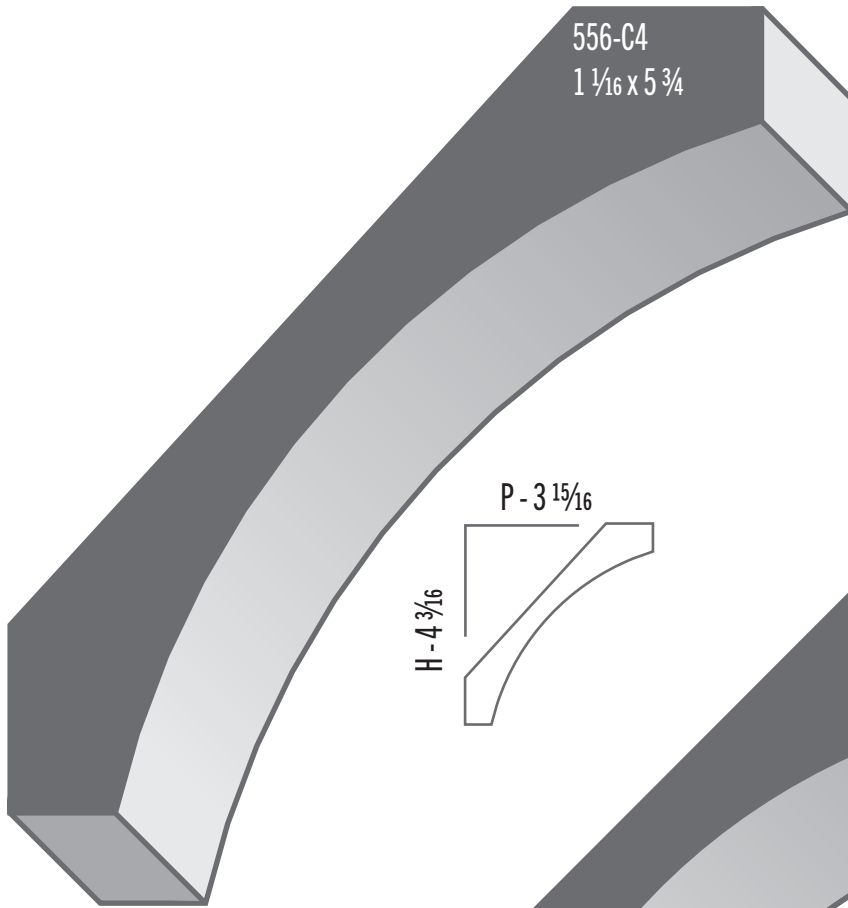


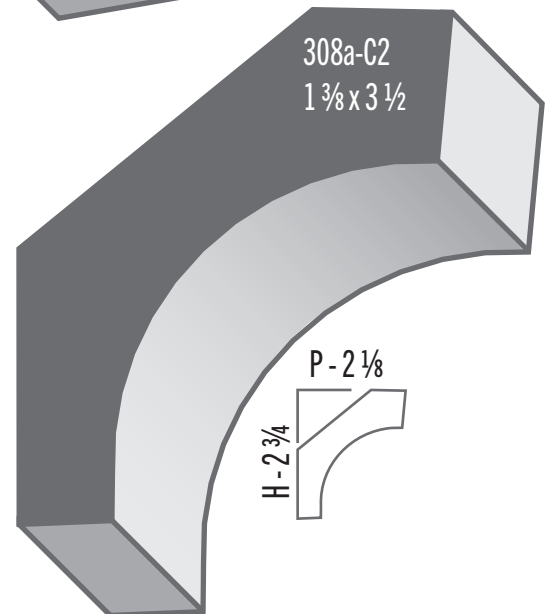
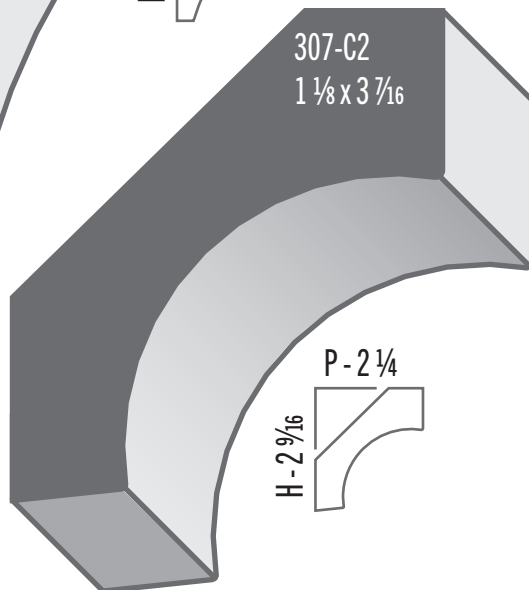
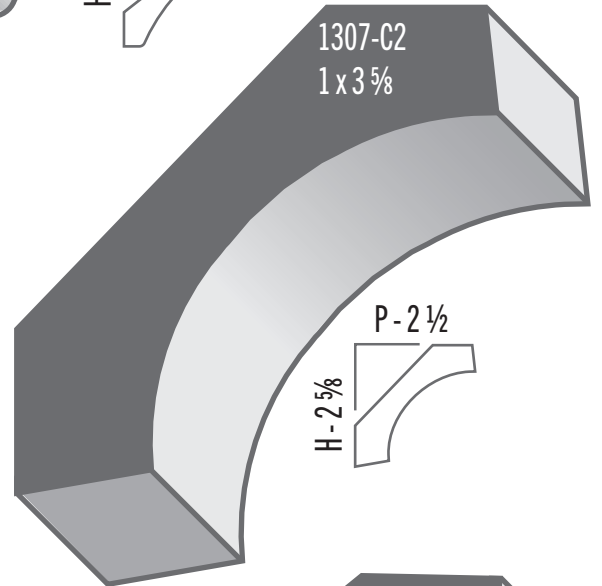
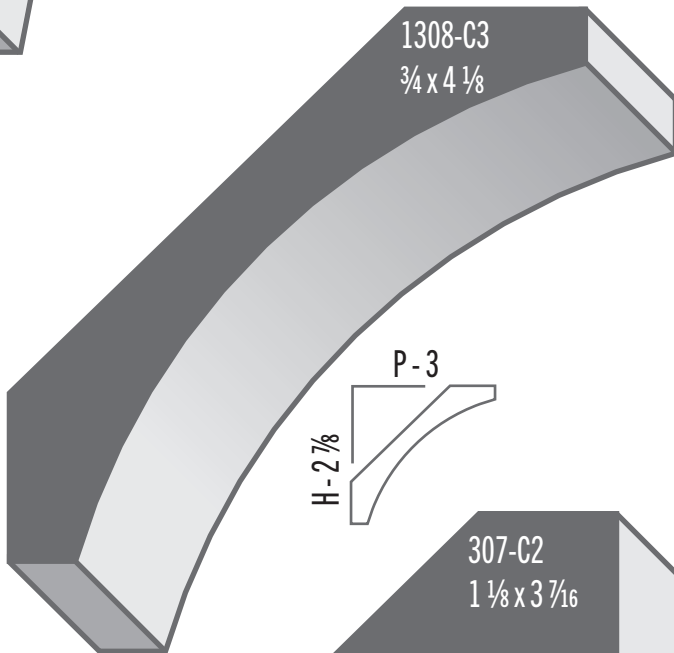
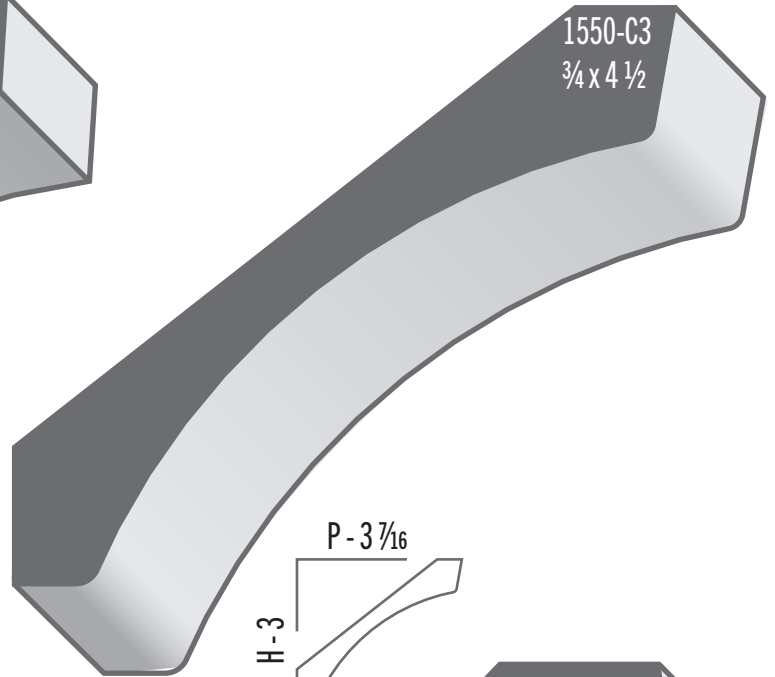
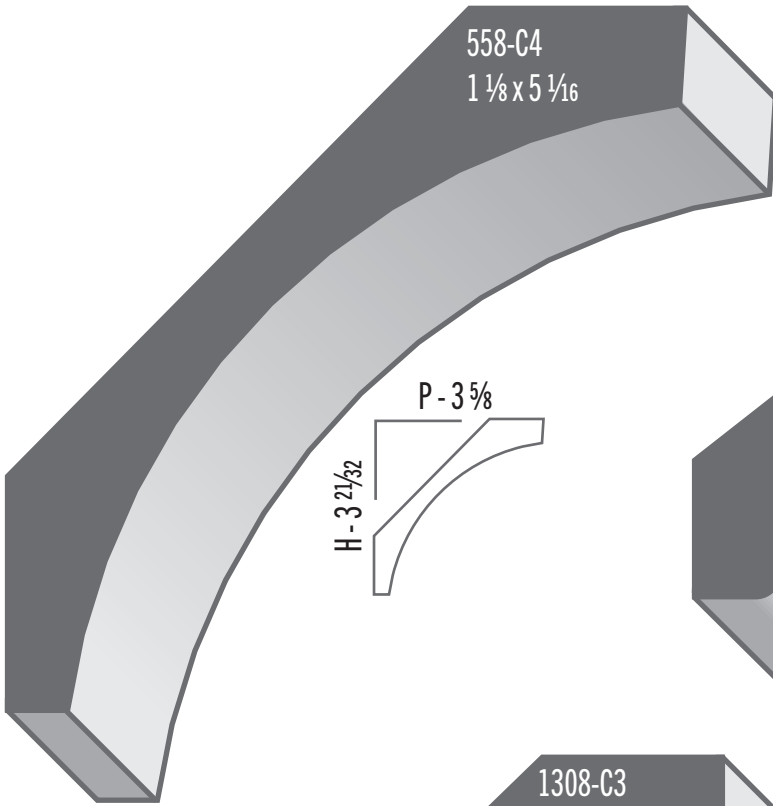


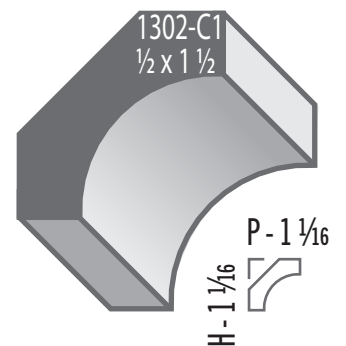
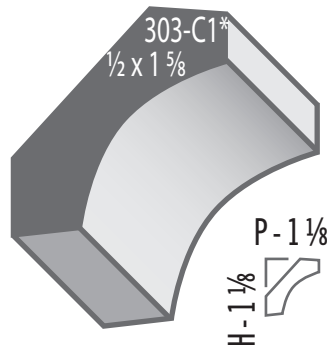
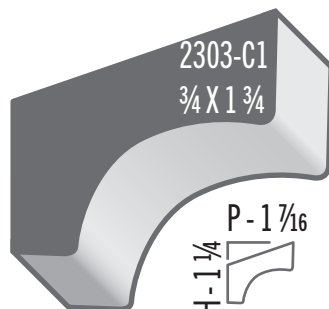
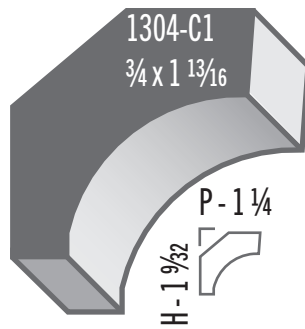
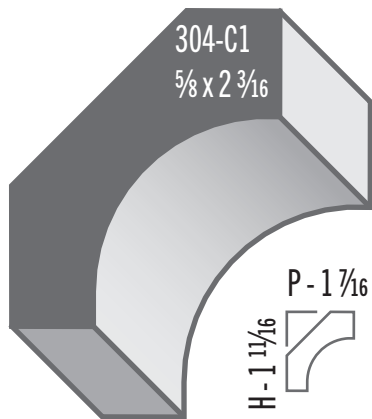
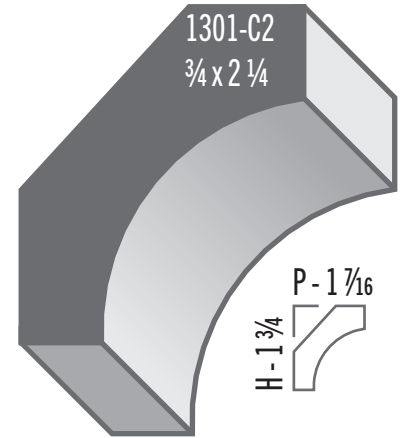
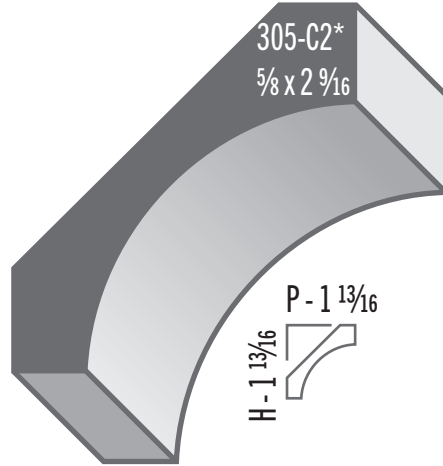
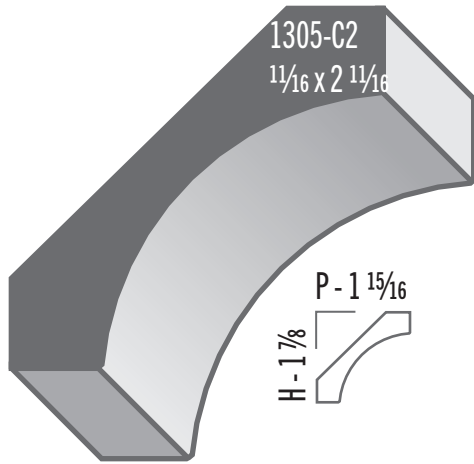
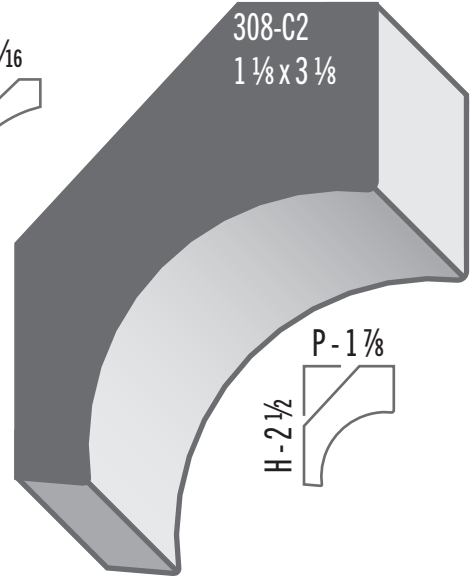
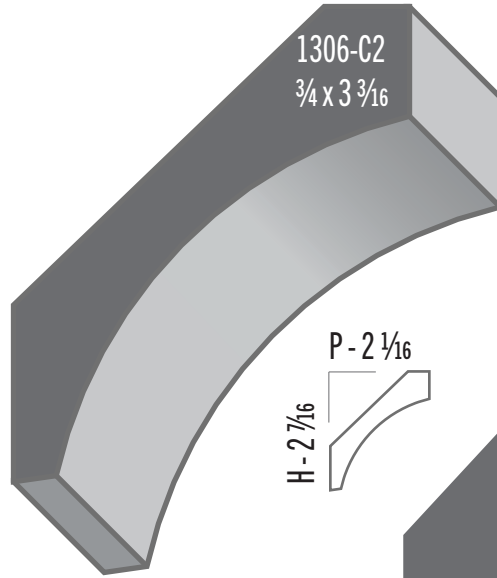
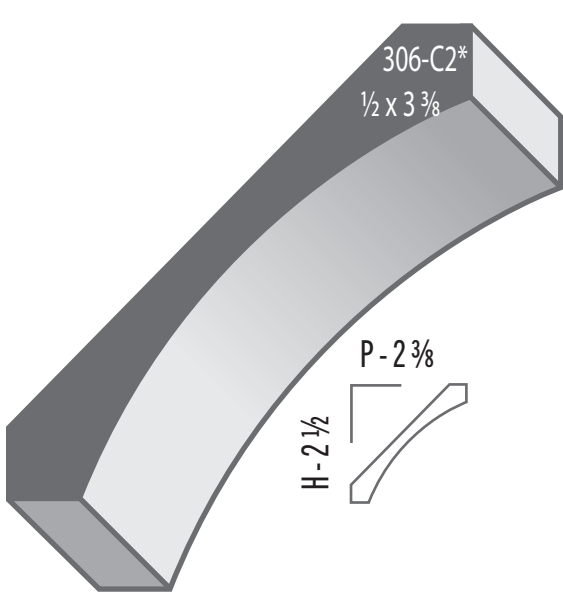


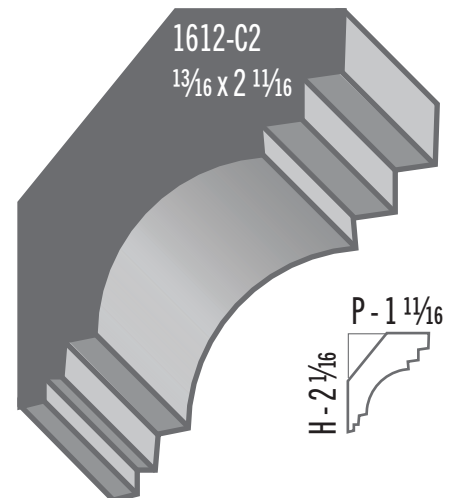
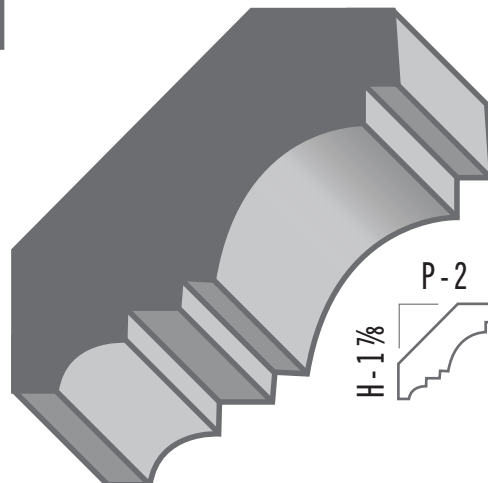
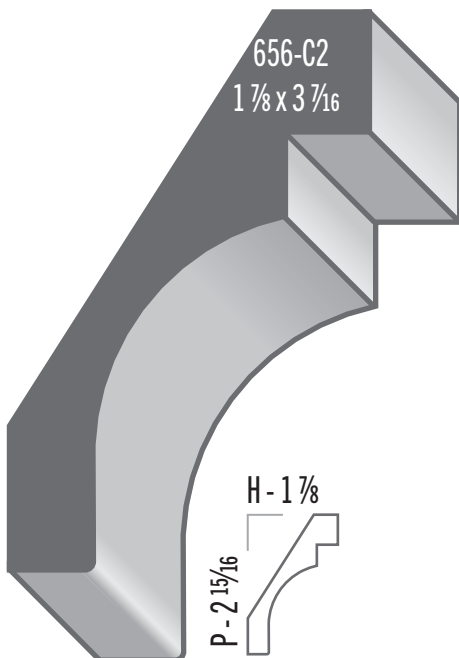
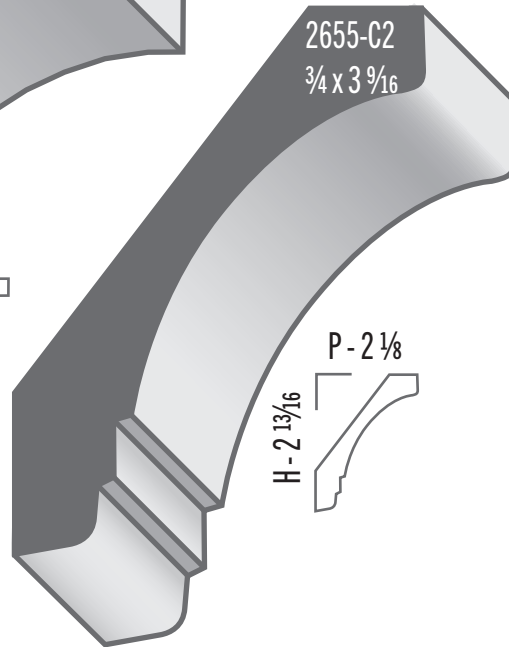
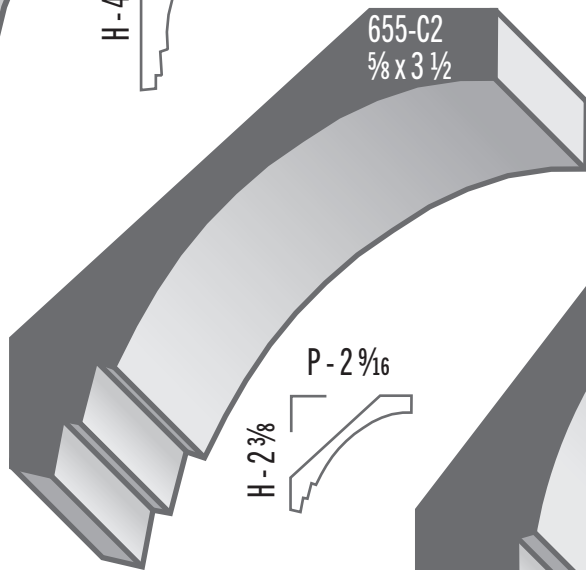
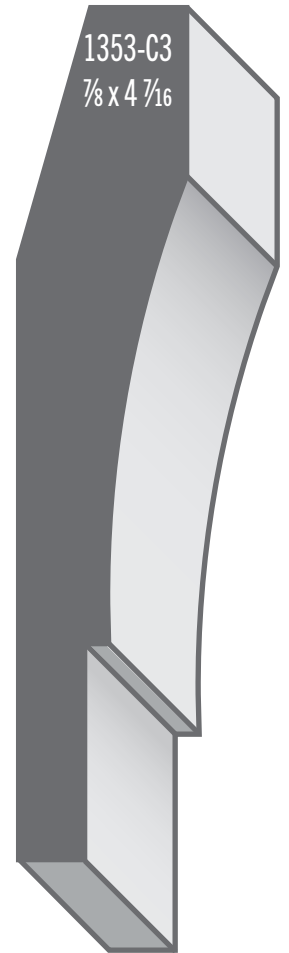
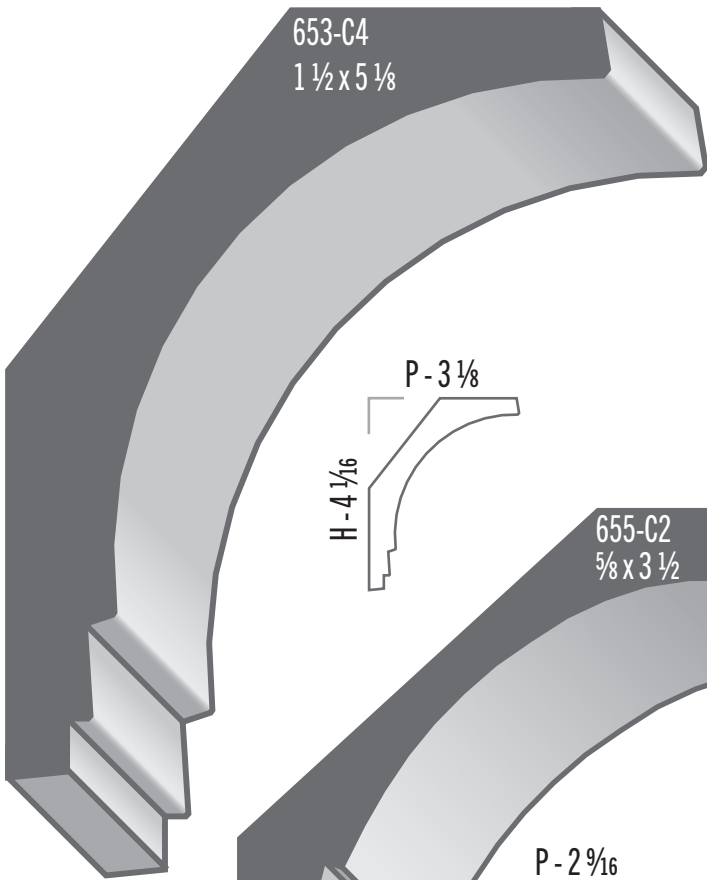




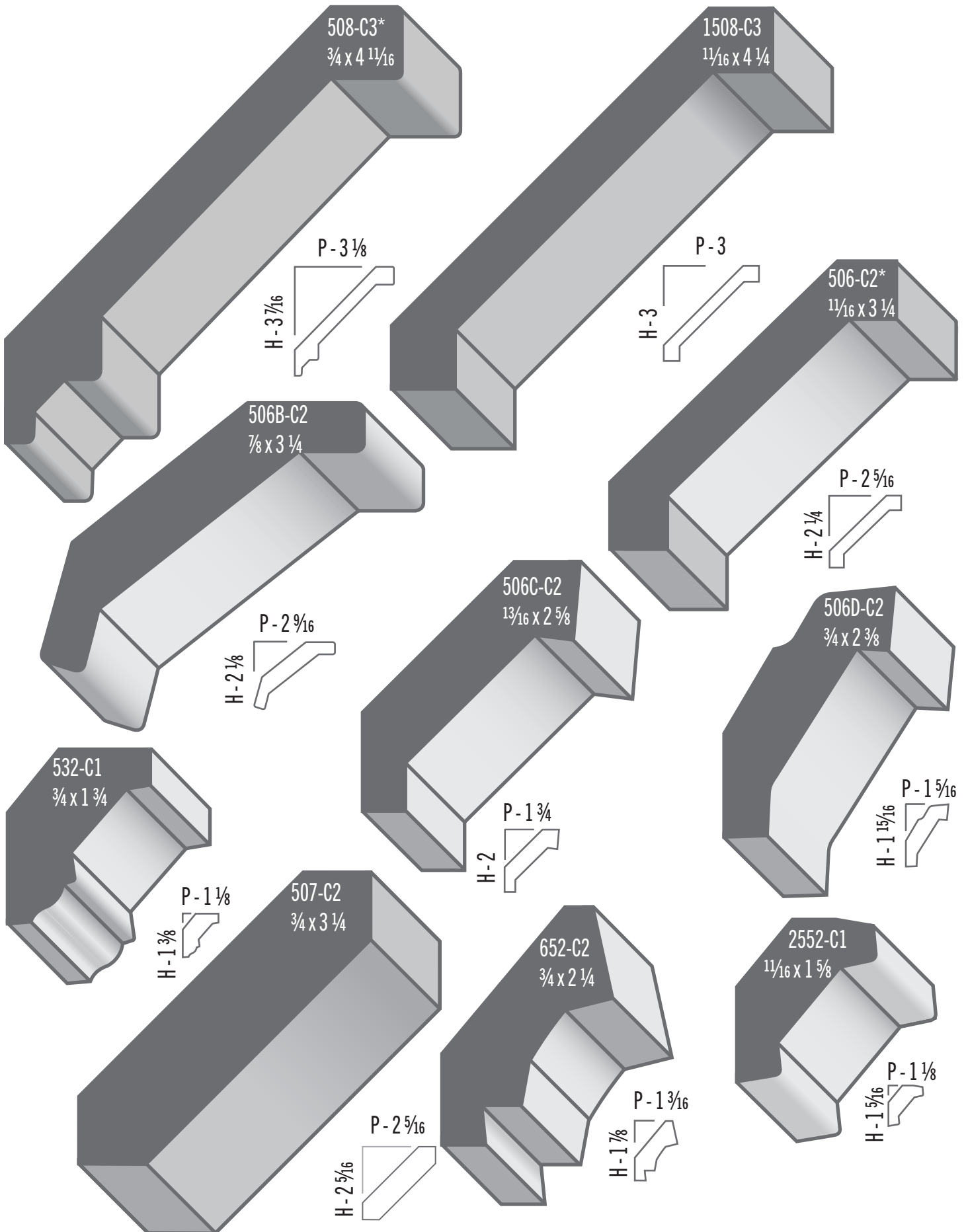


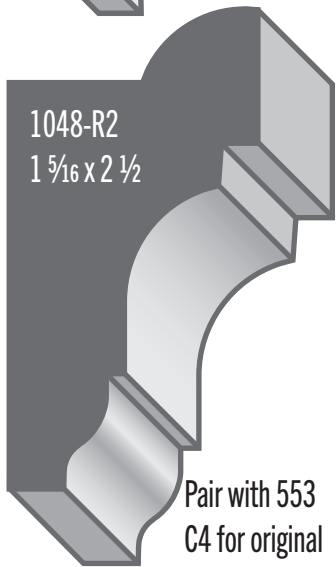
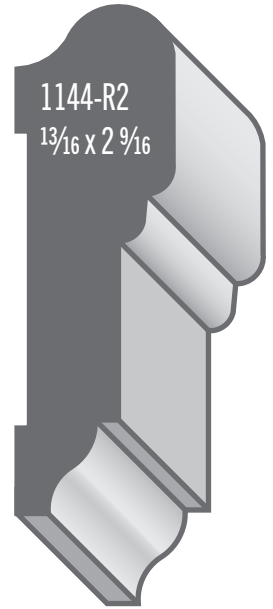
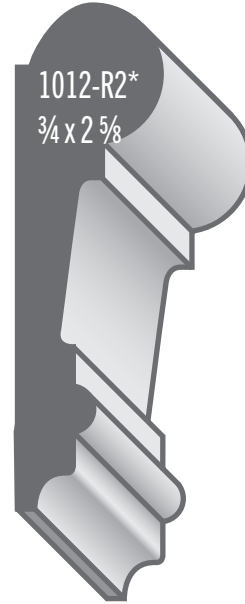
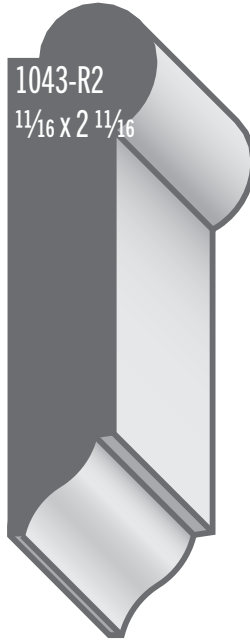
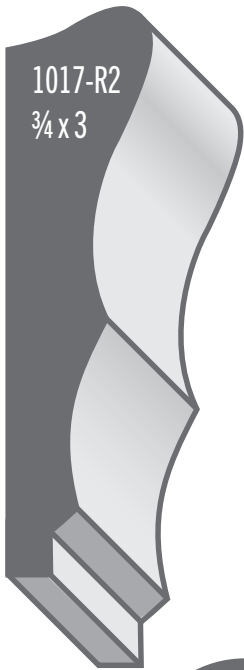












Pair with 553  
C4 for original  
buildup

