



# Section A - Crowns



## McCOY MILLWORK

### Custom Shop Services

For custom profiles pricing is determined by the chosen species of wood and quantity. Provide the following:

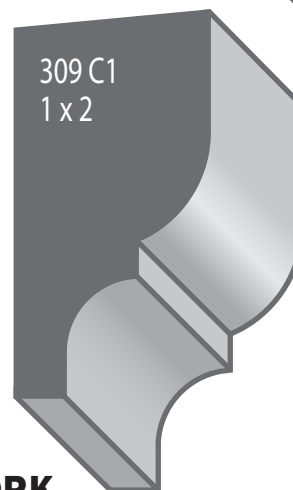
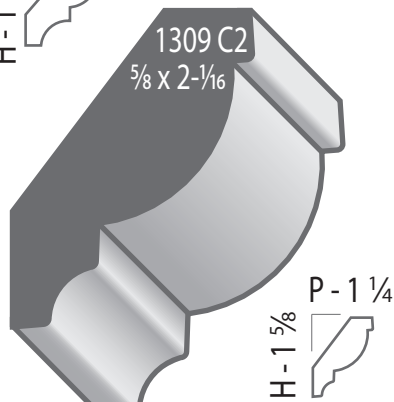
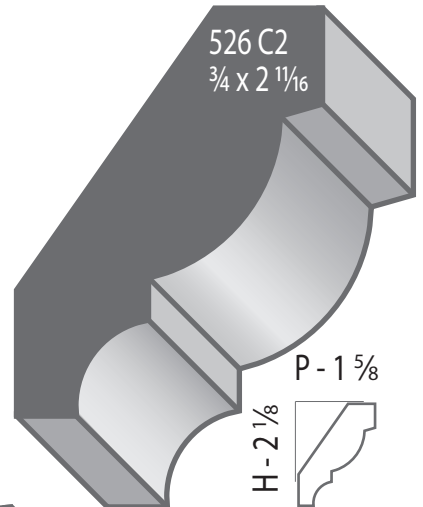
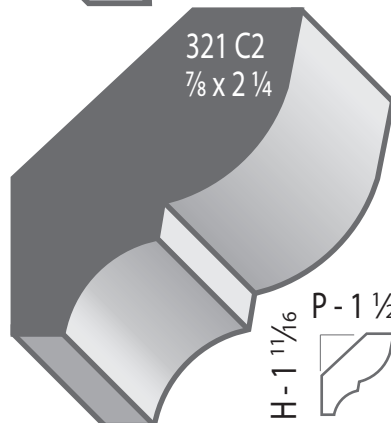
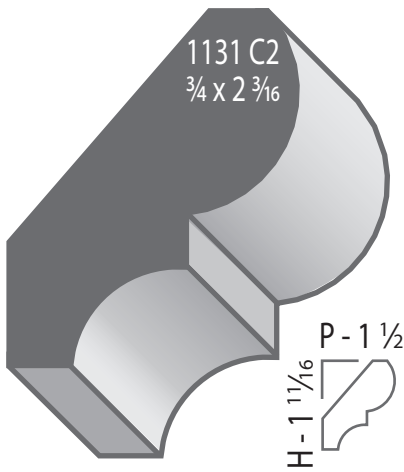
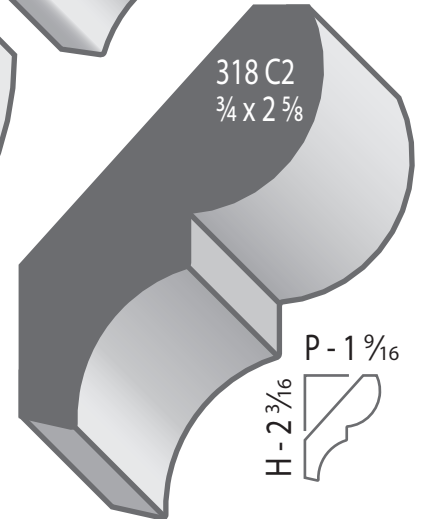
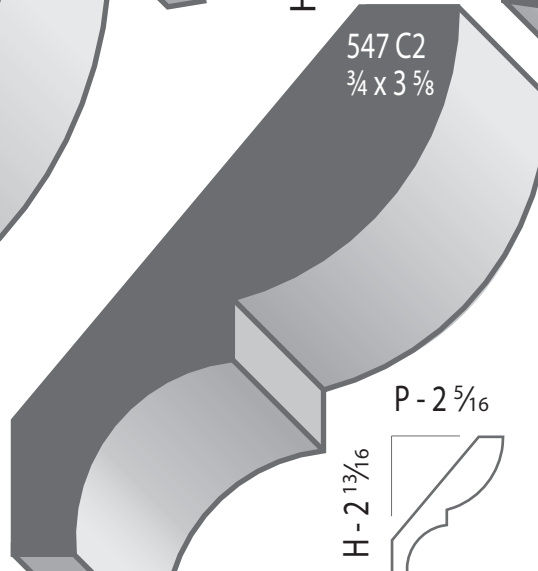
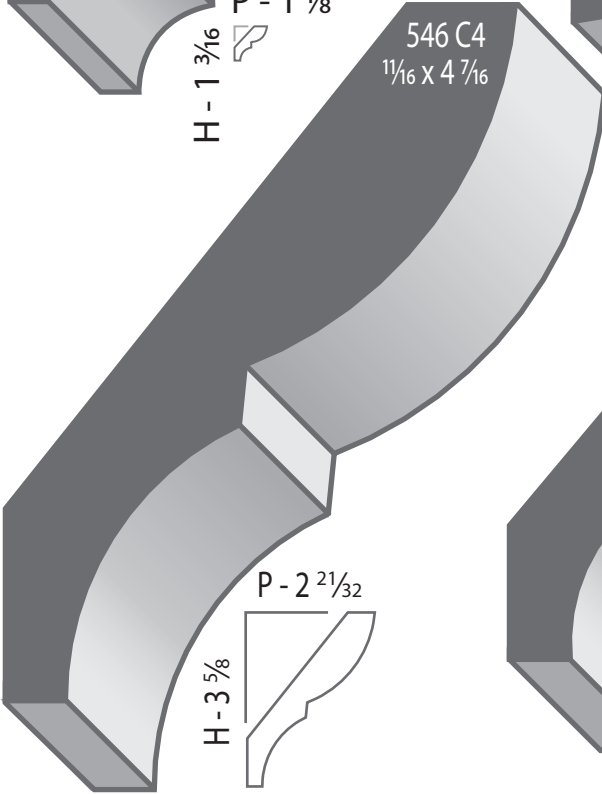
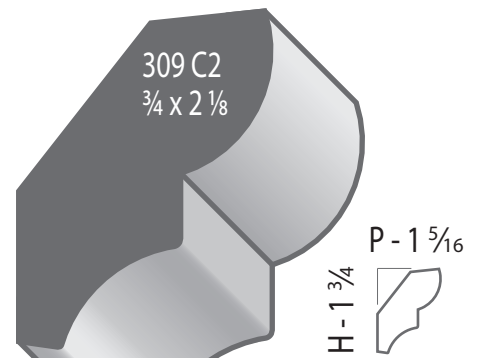
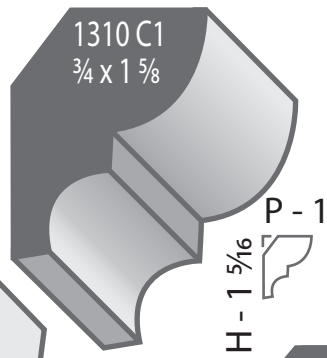
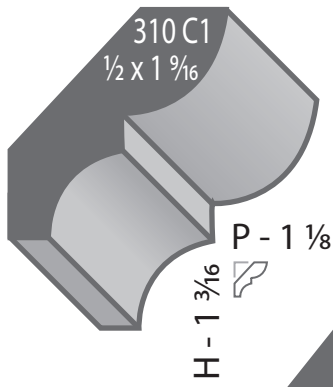
1. A sample or scale drawing of the profile.
2. Amount of moulding needed in Lineal Feet.
3. Preferred species of wood.
4. Preferred final finish (paint or stain).

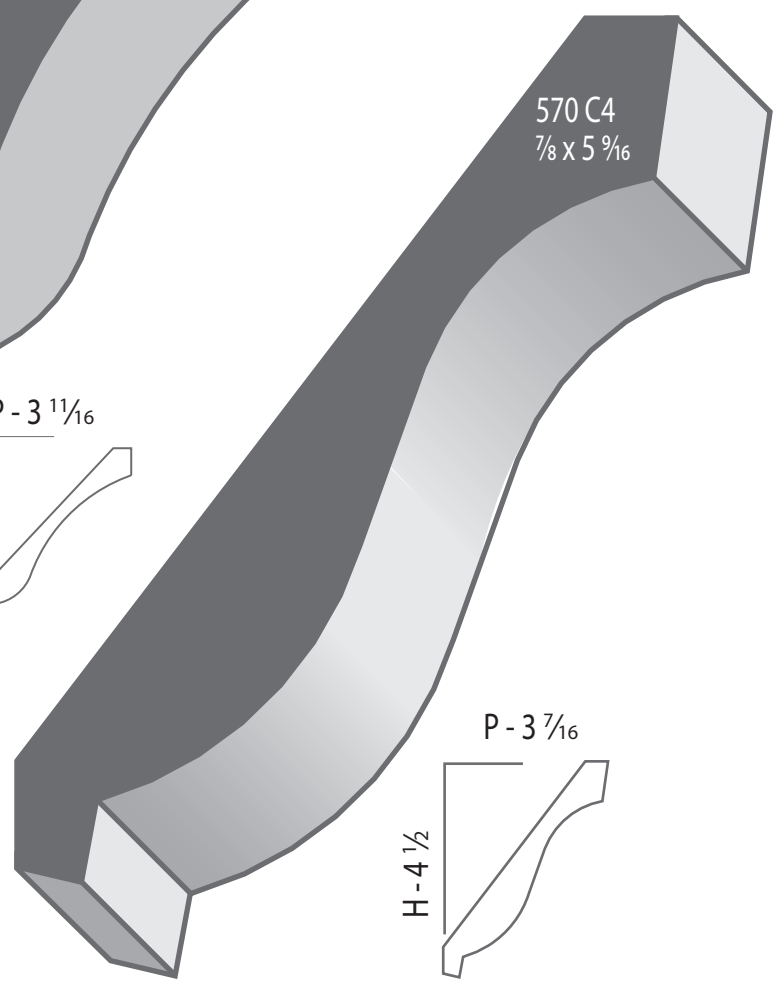
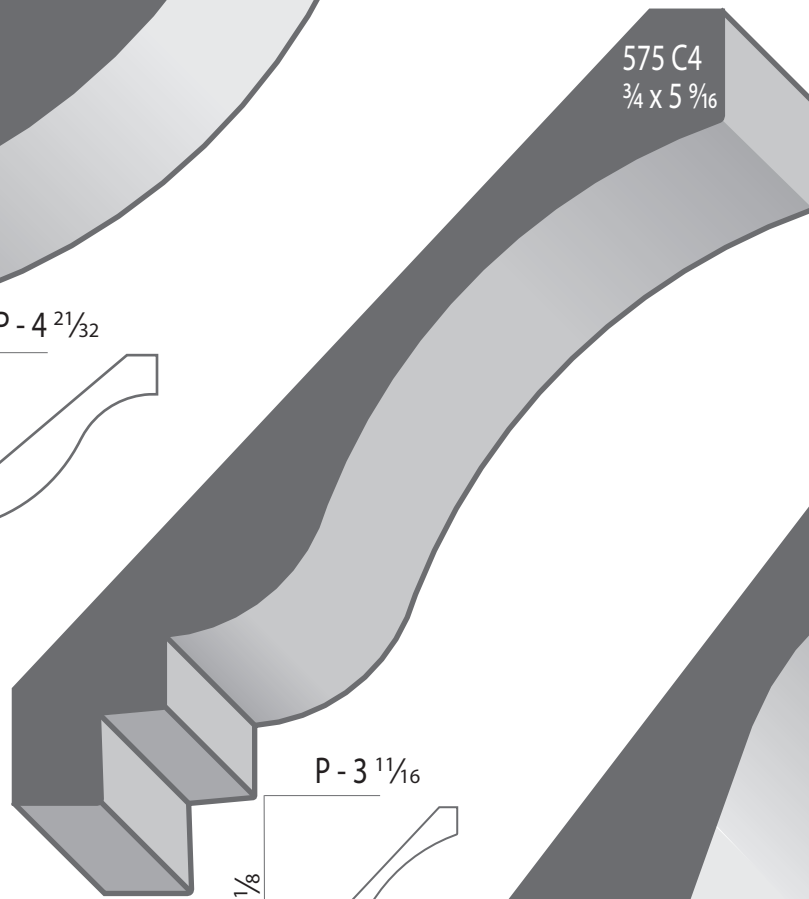
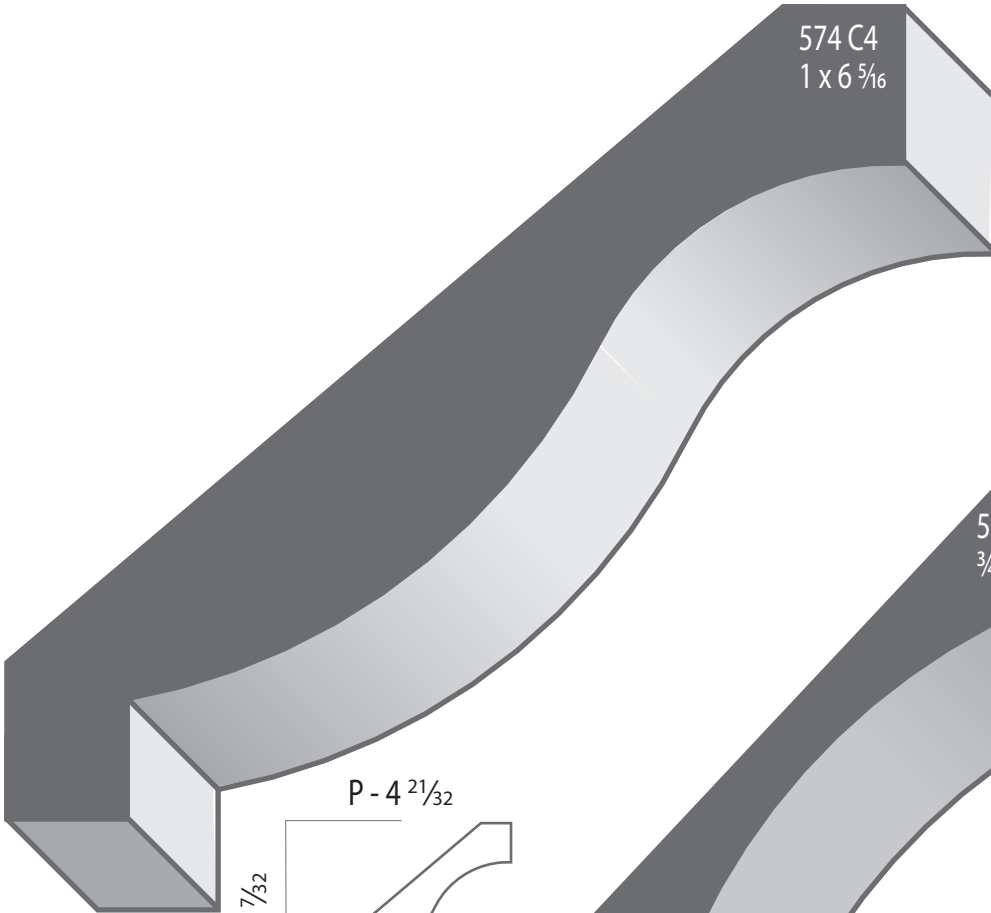
Send us your information via email or come in for a quote. You can expect to hear from us regarding pricing in 2 days.  
Manufacturing time varies: 2 days-2 weeks.

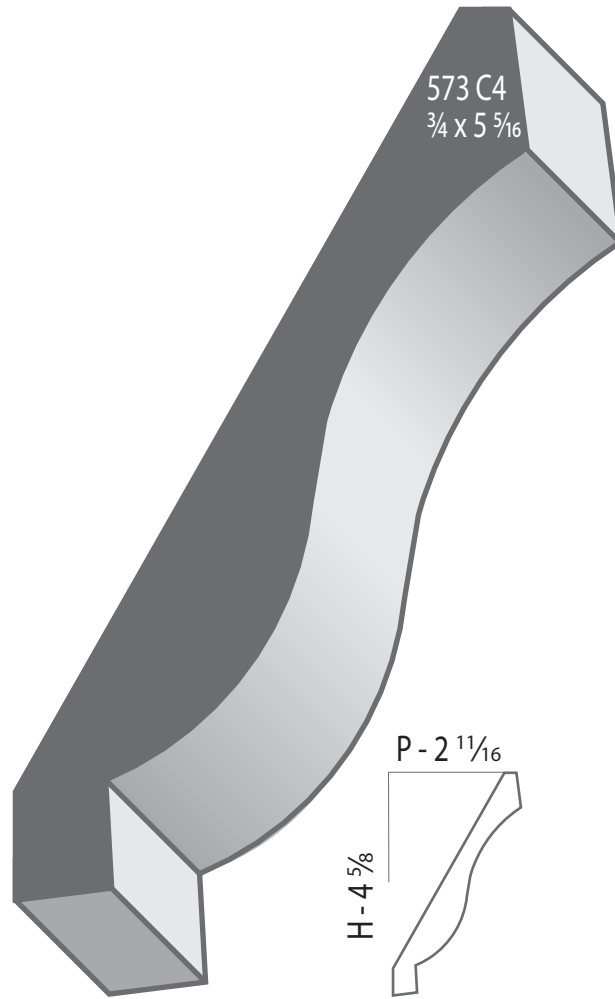
Profile #	Pg #	Profile #	Pg #	Profile #	Pg #	Profile #	Pg #				
132 R2	Picture Rail	A-28	532 C1	Crown	A-26	631 C2	Crown	A-11	1010 R1*	Picture Rail	A-28
303 C1*	Cove	A-24	538 C2	Crown	A-14	632 C2	Crown	A-14	1011 R1	Picture Rail	A-28
304 C1	Cove	A-24	539 C2	Crown	A-17	633 C4	Crown	A-10	1012 R2*	Picture Rail	A-27
305 C2*	Cove	A-24	540 C2	Cove	A-20	634 C3	Crown	A-13	1013 R2*	Picture Rail	A-27
306 C2*	Cove	A-24	540 C4	Crown	A-12	635 C2	Crown	A-14	1014 R1	Picture Rail	A-28
307 C2	Cove	A-24	541 C4*	Cove/Crown	A-20	636 C2	Crown	A-14	1015 R2	Picture Rail	A-28
308a C2	Cove	A-23	542b C4	Crown	A-15	638 C3	Crown	A-10	1017 R2	Picture Rail	A-27
308 C2	Cove	A-24	542 C3	Crown	A-15	639 C3	Crown	A-8	1018 R2	Picture Rail	A-27
309 C1	Crown	A-3	544 C3	Crown	A-13	640 C2	Crown	A-21	1019 R1	Picture Rail	A-28
309 C2	Bed Mould	A-3	545 C3	Crown	A-11	641 C2	Crown	A-18	1040 R2	Picture Rail	A-27
310 C1	Bed Mould	A-3	546 C2	Crown	A-16	642 C2	Crown	A-17	1041 R2	Picture Rail	A-27
313 C3*	Crown	A-7	546 C4	Bed Moulding	A-3	643 C2	Crown	A-9	1042 R2	Picture Rail	A-27
315b C2	Crown	A-8	547 C2	Bed Mould	A-3	644 C2	Crown	A-9	1043 R2	Picture Rail	A-27
315 C2*	Crown	A-16	548 C2	Crown	A-16	647 C4	Crown	A-21	1044 R2	Picture Rail	A-27
316 C1	Crown	A-6	549 C2	Crown	A-16	648 C3	Crown	A-19	1047 R2	Picture Rail	A-27
317 C2	Crown	A-16	550 C4*	Cove	A-23	649 C4	Crown	A-21	1048 R2	Picture Rail	A-27
318 C2	Bed Mould	A-3	551 C2	Crown	A-16	650B C4	Crown	A-19	1131 C2	Bed Mould	A-3
321 C2	Bed Mould	A-3	552 C4	Cove	A-22	650 C4	Crown	A-19	1191 R2	Picture Rail	A-27
350 C1*	Crown	A-9	553 C4	Cove	A-23	651 C4	Crown	A-19	1302 C1	Cove	A-24
353 R2	Cove Crown	A-25	554 C4	cove	A-22	653 C4	Cove	A-25	1304 C1	Cove	A-24
354 C2*	Crown	A-9	570 C4	Crown	A-4	654 C4	Crown	A-18	1305 C2	cove	A-24
355 C2	Crown	A-9	571 C4	Crown	A-7	655 C2	Cove	A-25	1306 C2	Cove	A-24
370 C2	Crown	A-16	572 C4	Crown	A-7	656 C2	Cove	A-25	1307 C2	Cove	A-23
505 R2*	Picture Rail	A-27	573 C4	Crown	A-5	657 C2	Crown	A-18	1308 C3	Cove	A-23
506 C2*	Shaker Cove	A-26	574 C4	Crown	A-4	712 C3*	Crown	A-12	1309 C2	Crown	A-3
507 C2	Crown	A-26	575 C4	Crown	A-4	713 C3	Crown	A-11	1310 C1	Crown	A-3
508 C3*	Shaker Cove	A-26	576 C4	Crown	A-13	716 C4	Crown	A-13	1312 C2	Crown	A-8
509 C2	Cove	A-25	608 C2	Crown	A-9	717 C4	Crown	A-11	1313 C2	Crown	A-8
510 C2	Cove	A-18	612 C2	Crown	A-14	718 C3	Crown	A-12	1314 C4	Crown	A-8
511b C2	Crown	A-6	612 C4	Crown	A-21	719 C4	Crown	A-11	1315 C2	Crown	A-8
511 C2	Cove	A-18	613 C2	Crown	A-18	1002 R2	Picture Rail	A-27	1316 C3	Crown	A-7
514 C2	Crown	A-6	614 C2	Crown	A-17	1003 R2	Picture Rail	A-28	1319 C2	Cove	A-20
515 C2*	Crown	A-6	615 C2	Crown	A-14	1004 R2	Picture Rail	A-27	1350 C1	Crown	A-16
519 C2	Crown	A-6	616 C4	Crown	A-17	1006 R1	Picture Rail	A-28	1351 C1	Crown	A-13
521 C3	Crown	A-6	617 C2	Crown	A-14	1007 R1	Picture Rail	A-28	1352 C2	Crown	A-13
523 M1	Shingle	A-6	618 C2	Crown	A-14	1008 R1	Picture Rail	A-28	1353 C3	Cove	A-25
526 C2	Crown	A-3	619 C3	Crown	A-12	1009 R1	Picture Rail	A-28	1508 C3	Shaker Cove	A-26

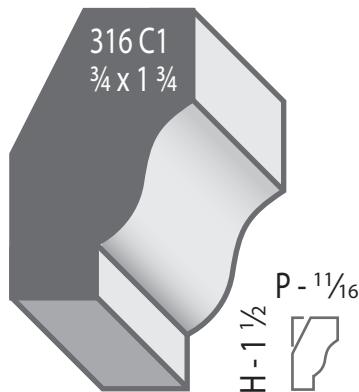
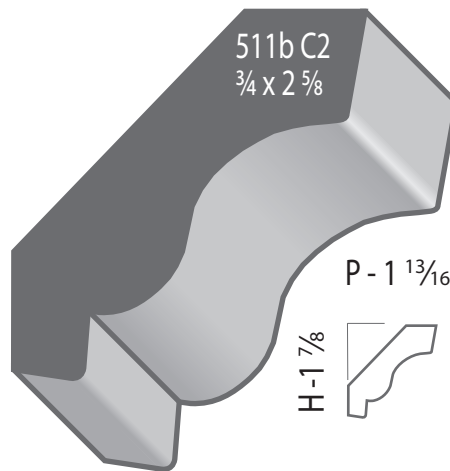
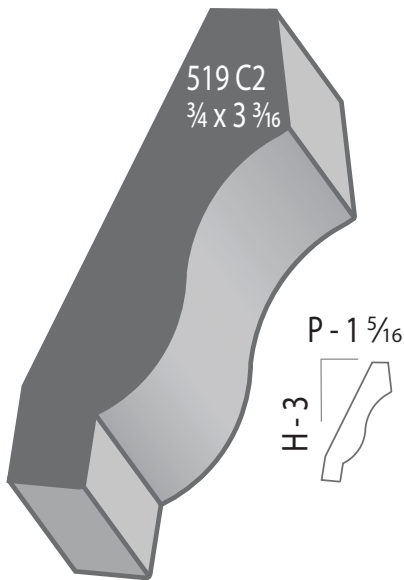
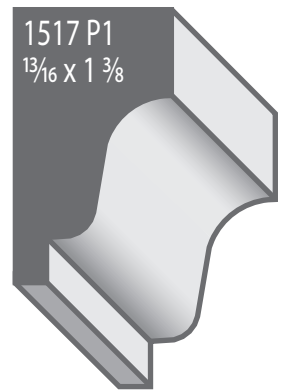
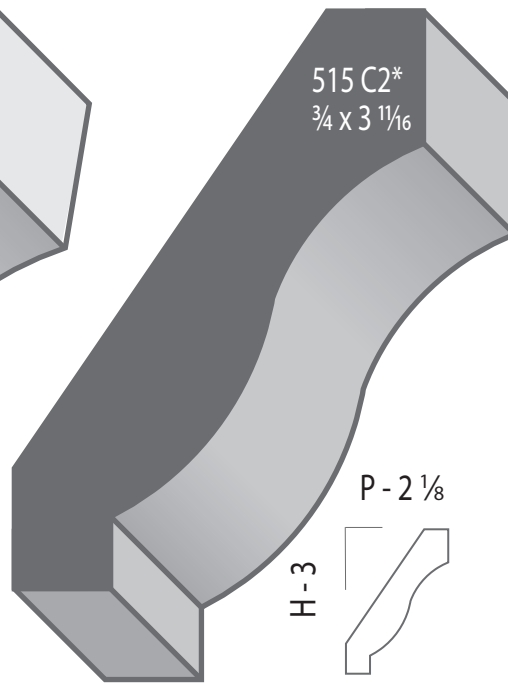
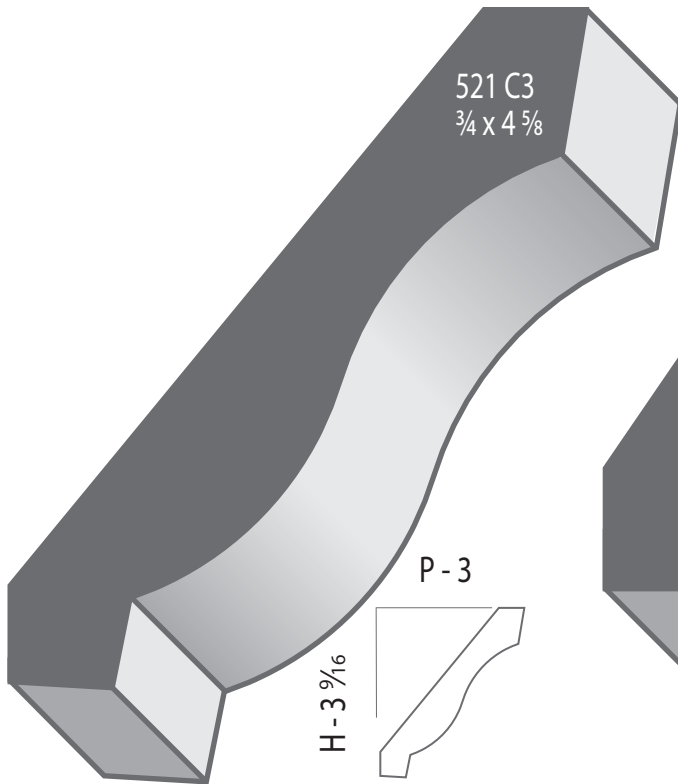


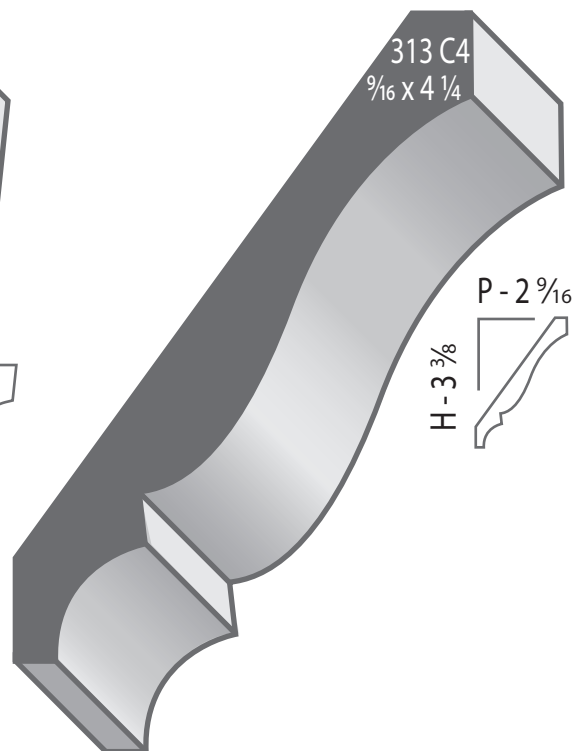
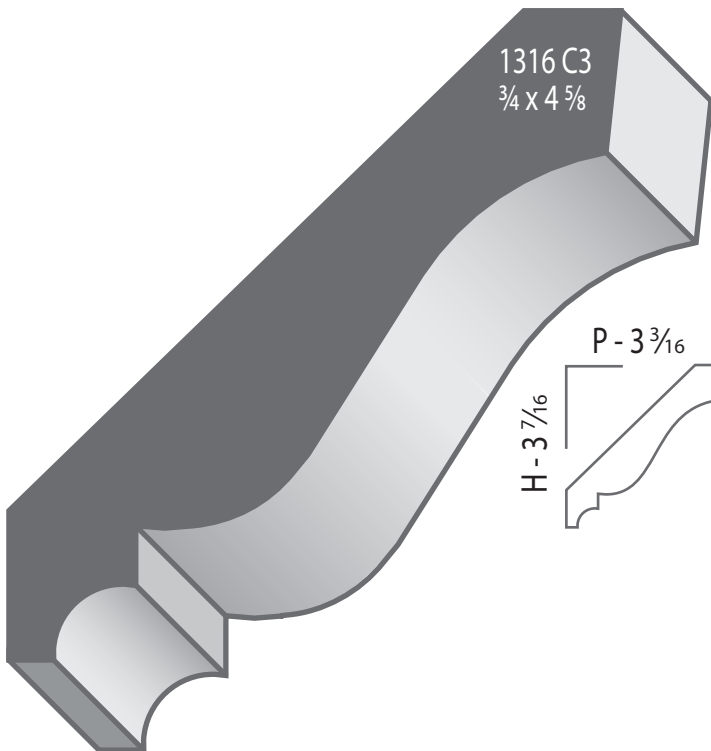
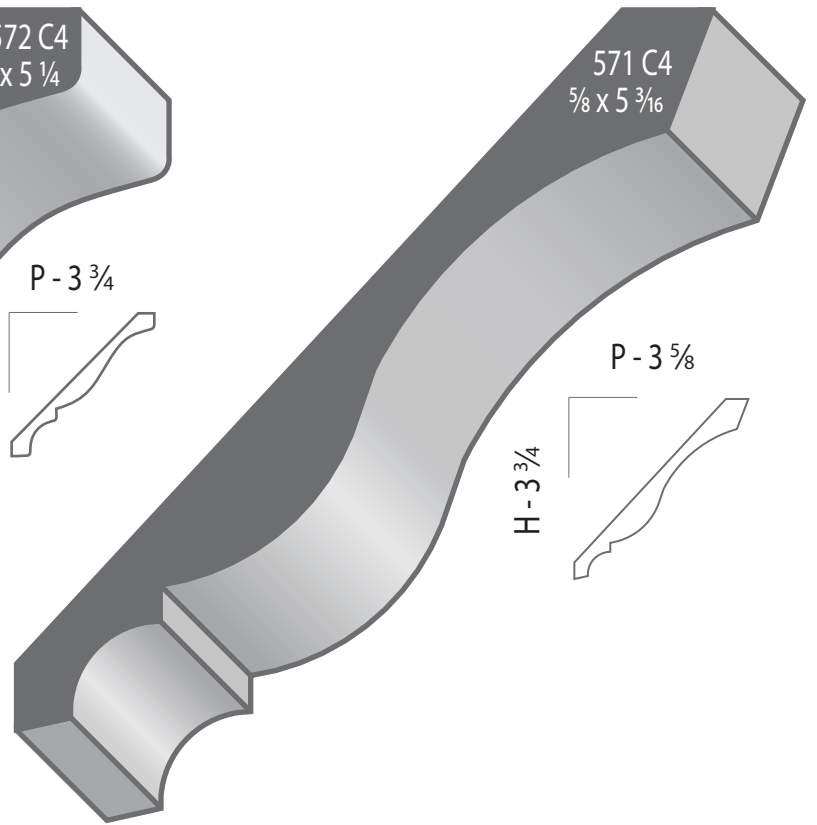
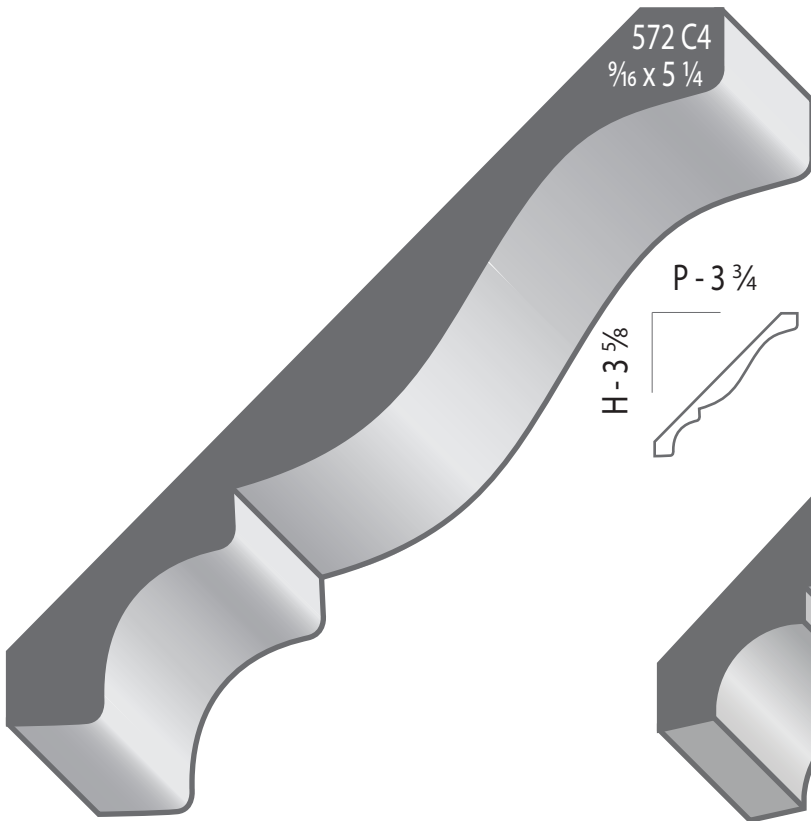
Profile #	Pg #	Profile #	Pg #	Profile #	Pg #	Profile #	Pg #
1516 P1	Picture Rail	A-28					
1517 P1	Shingle	A-6					
1548 C3	Crown	A-15					
1549 C4	Crown	A-15					
1608 C2	Crown	A-9					
1610 C2	Crown	A-8					
1611 C2	Crown	A-17					
1612 C2	Cove	A-25					
1613 C2	Cove/ Crown	A-20					
1638 C3	Crown	A-10					
1640 C2	Crown	A-10					
1712 C3	Crown	A-12					
1713 C4	Crown	A-10					
1714 C3	Crown	A-12					

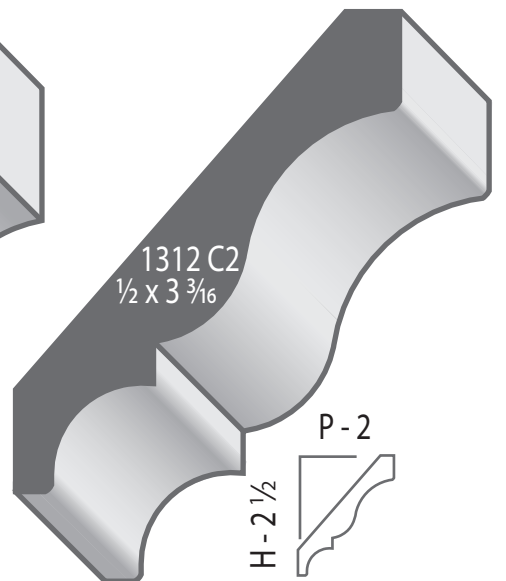
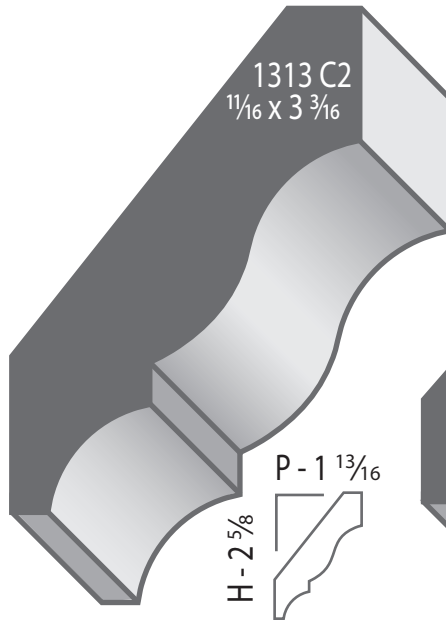
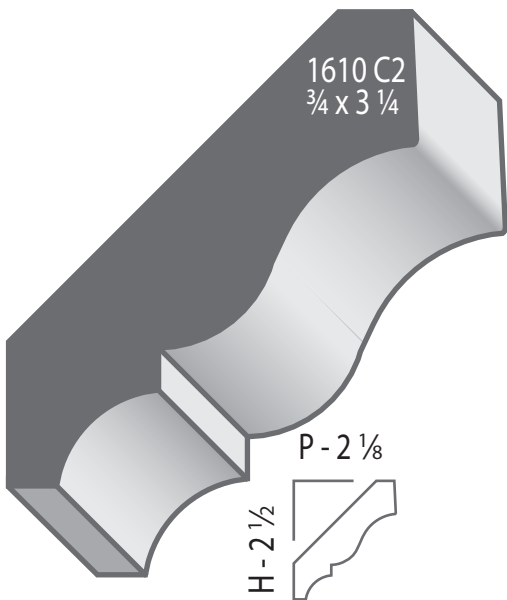
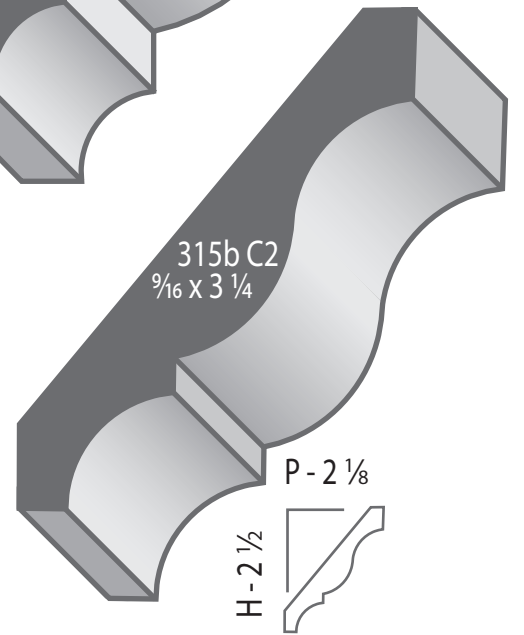
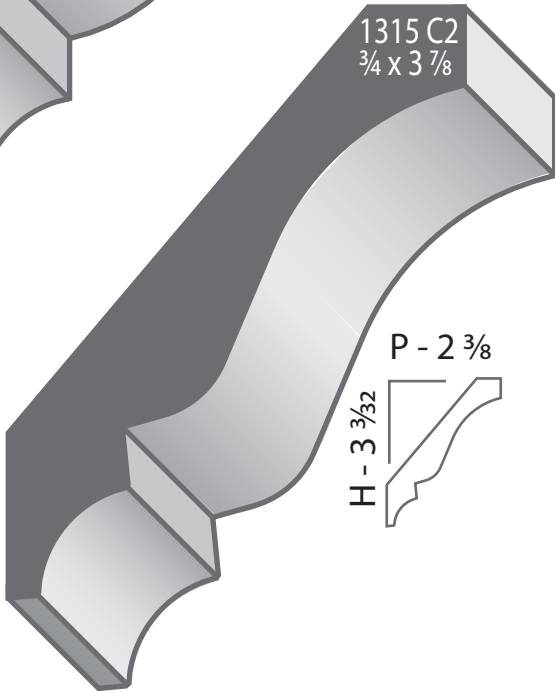
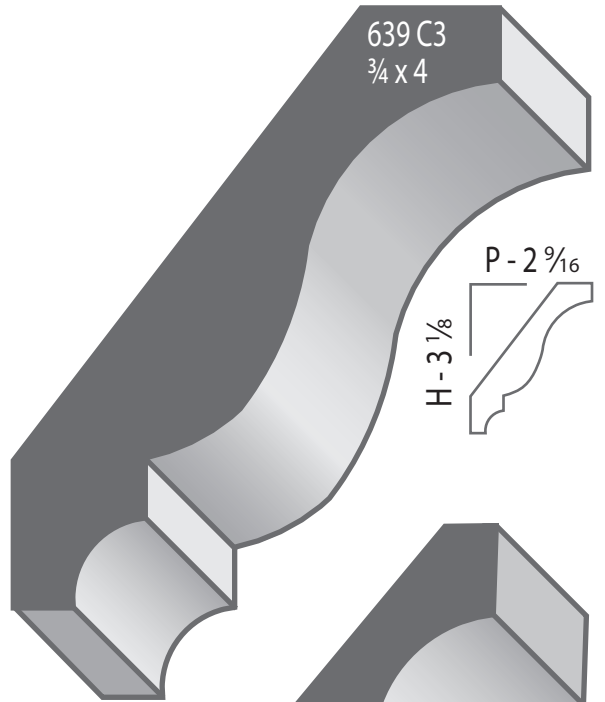
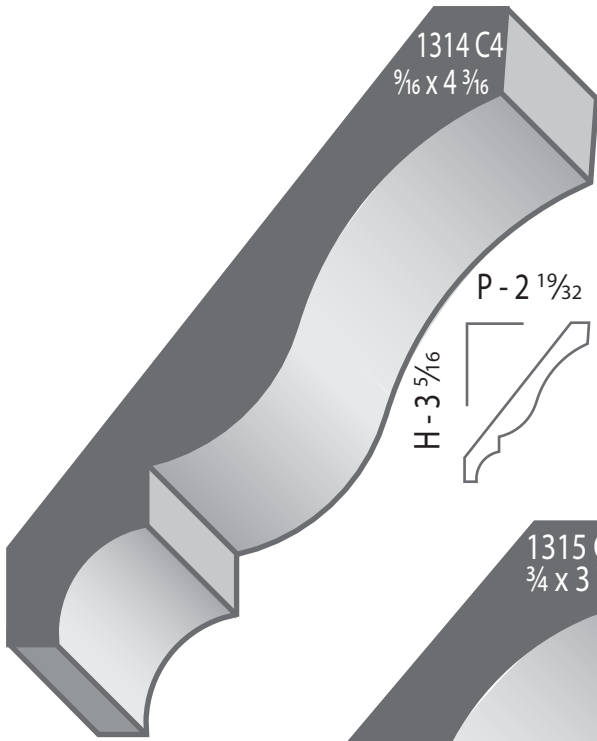




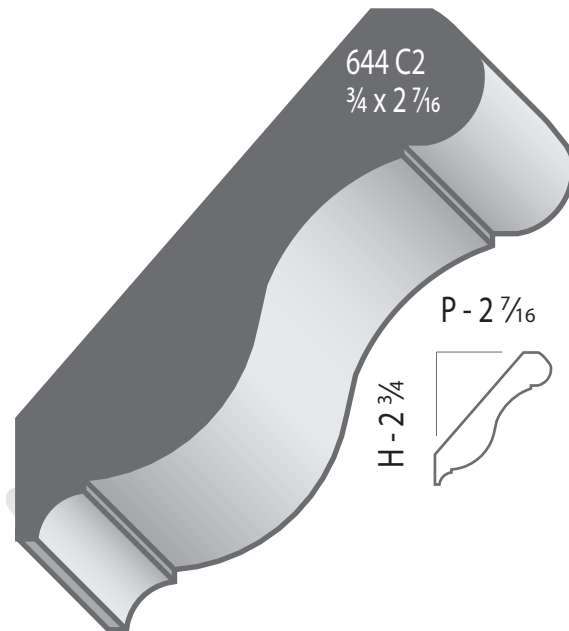
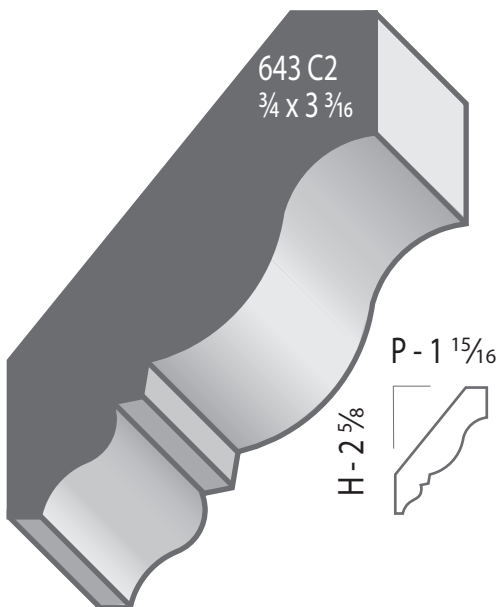
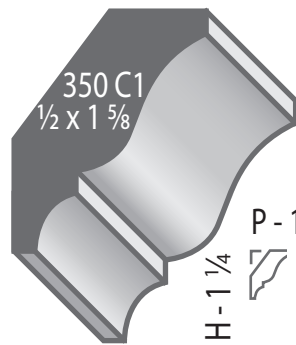
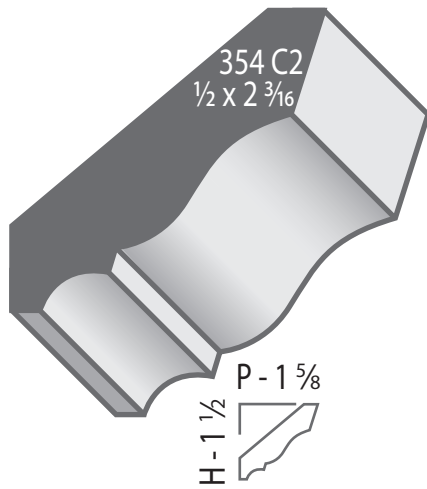
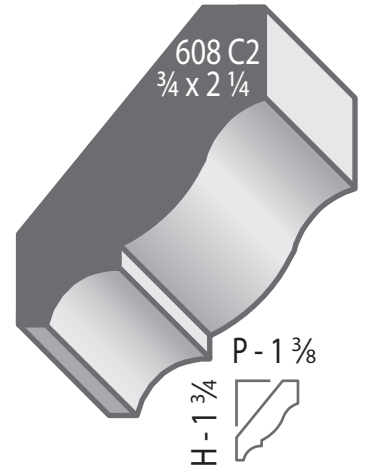
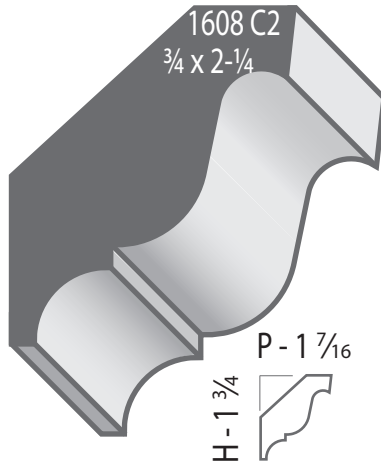
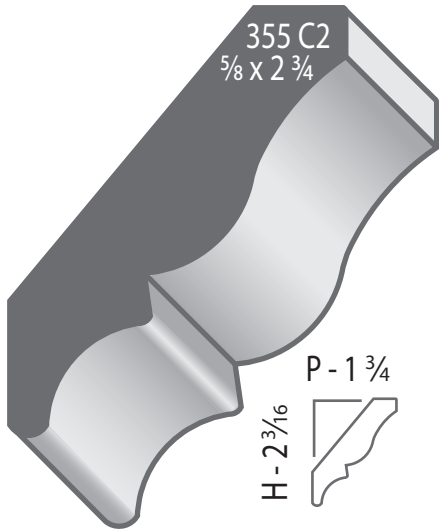


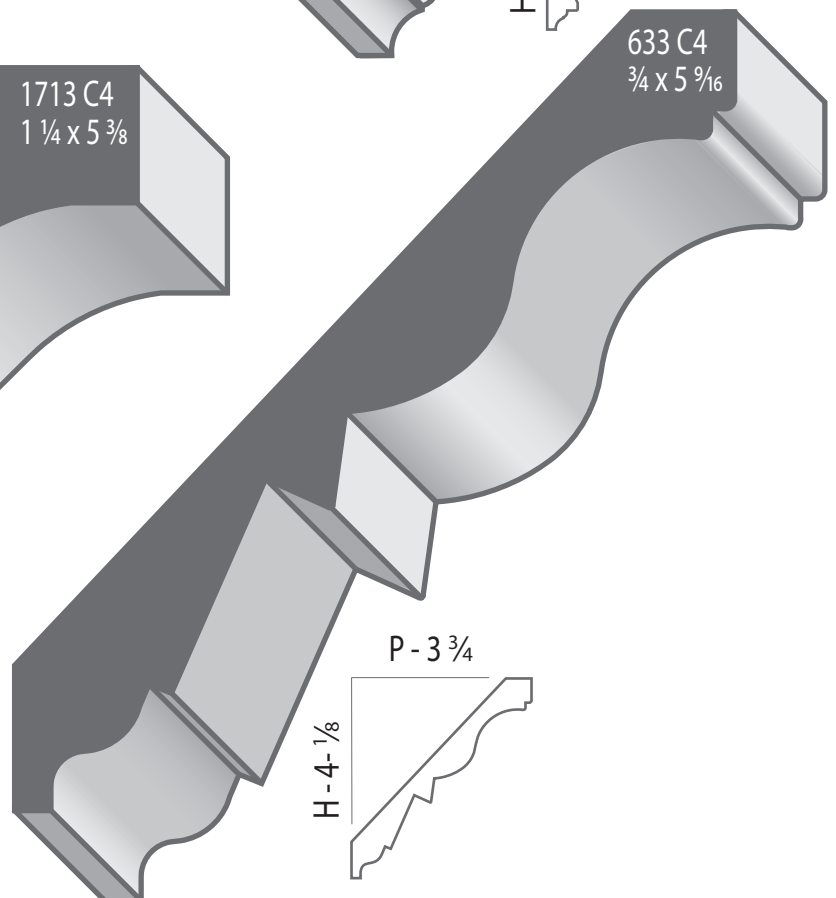
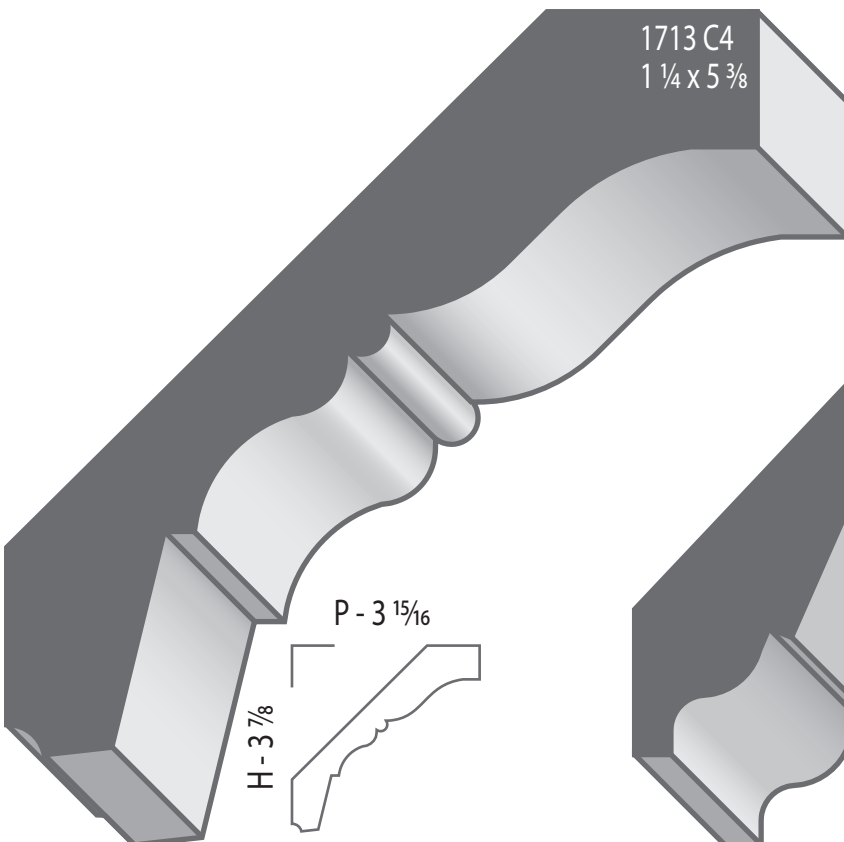
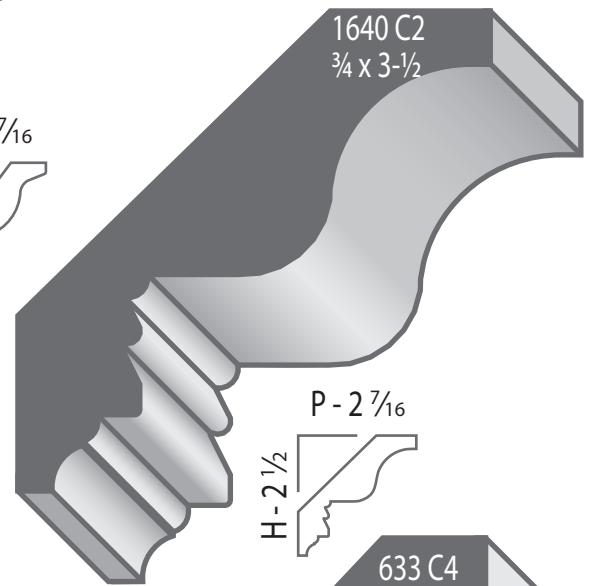
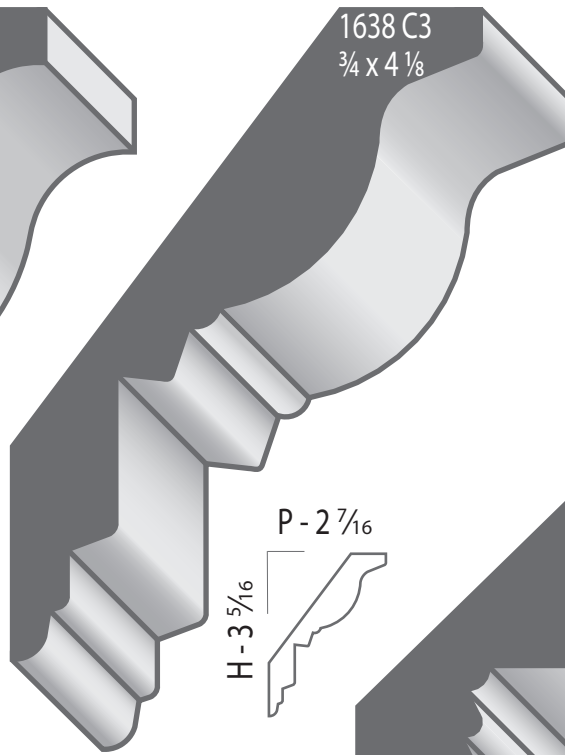
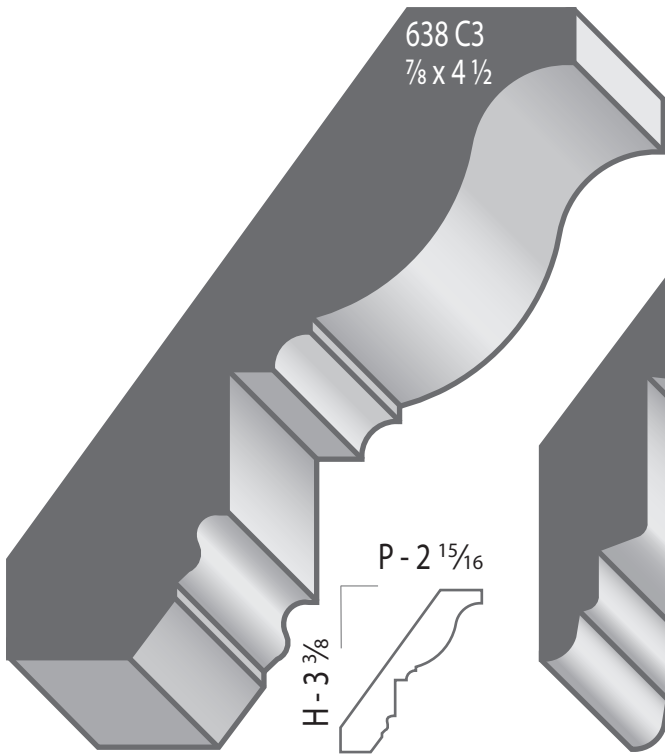






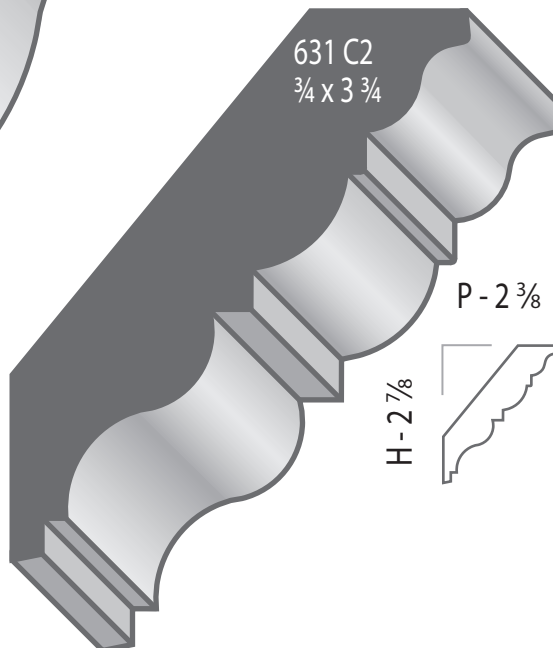
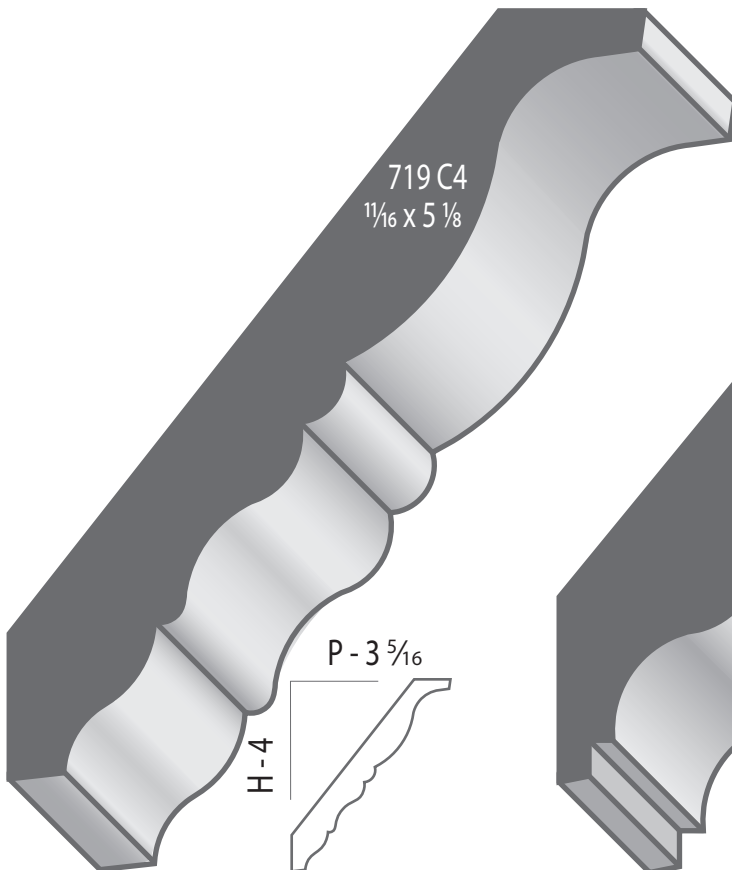
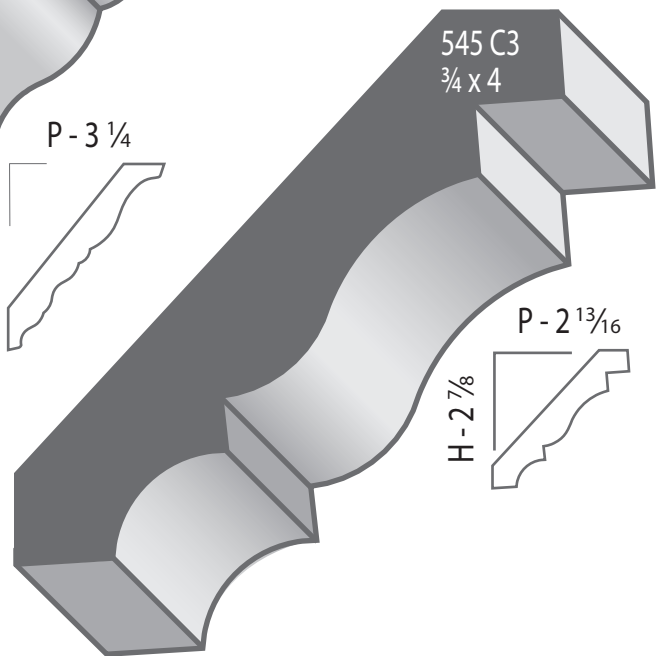
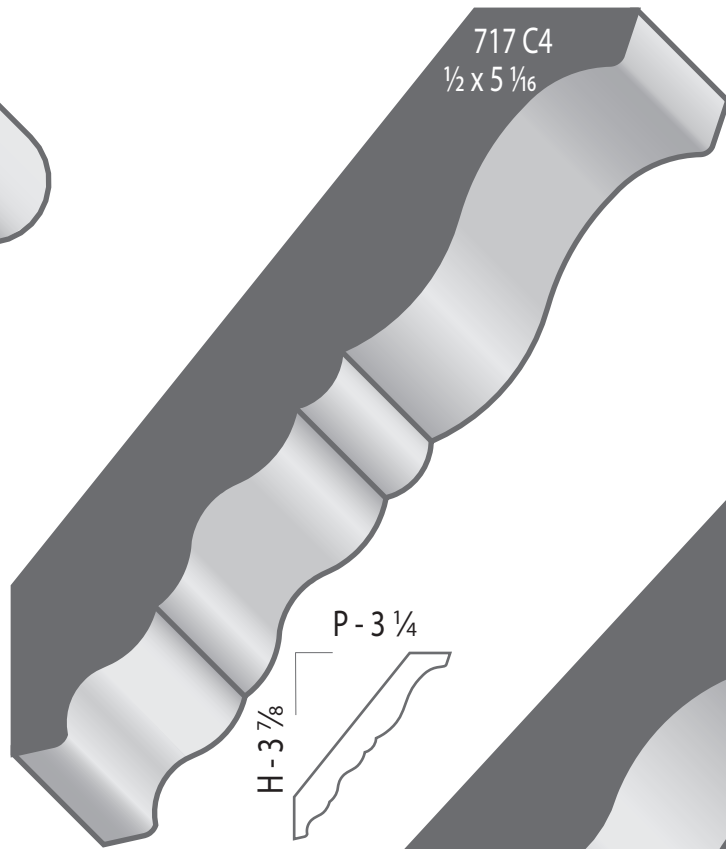
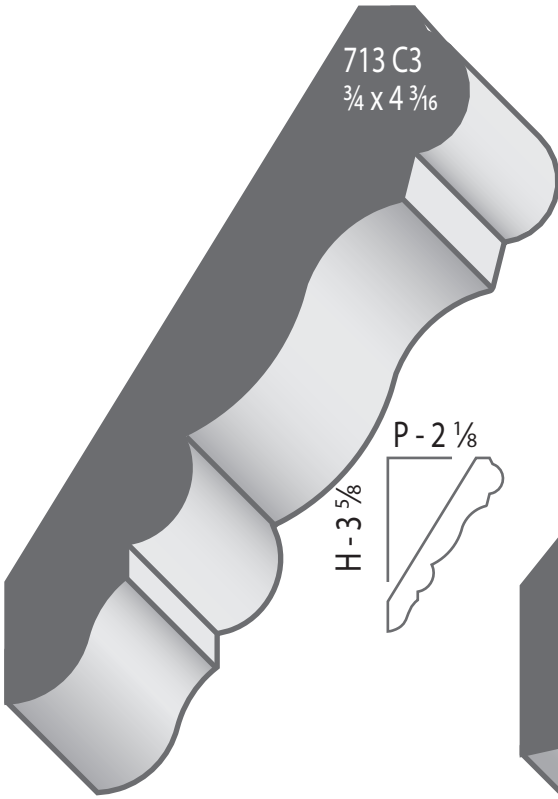


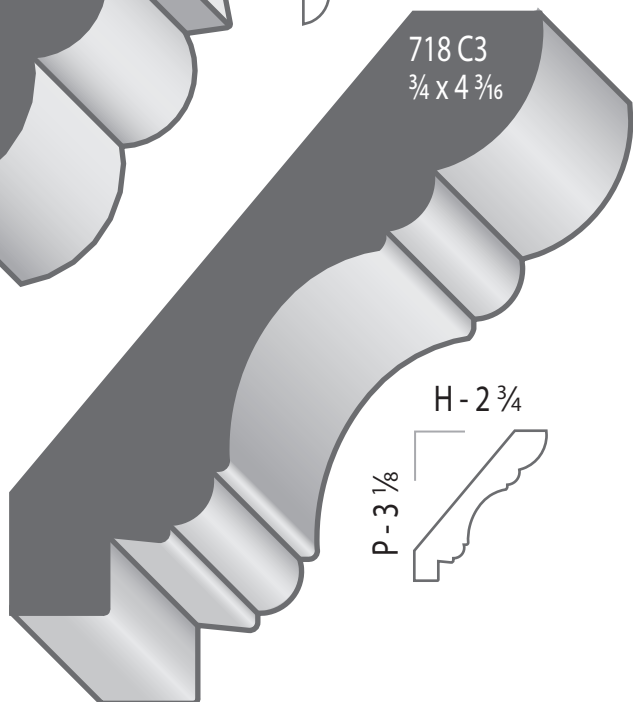
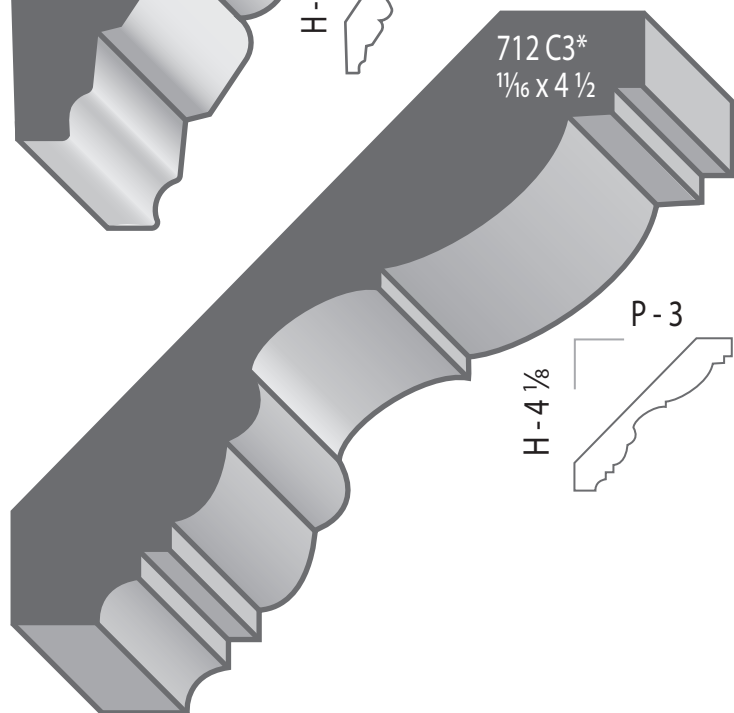
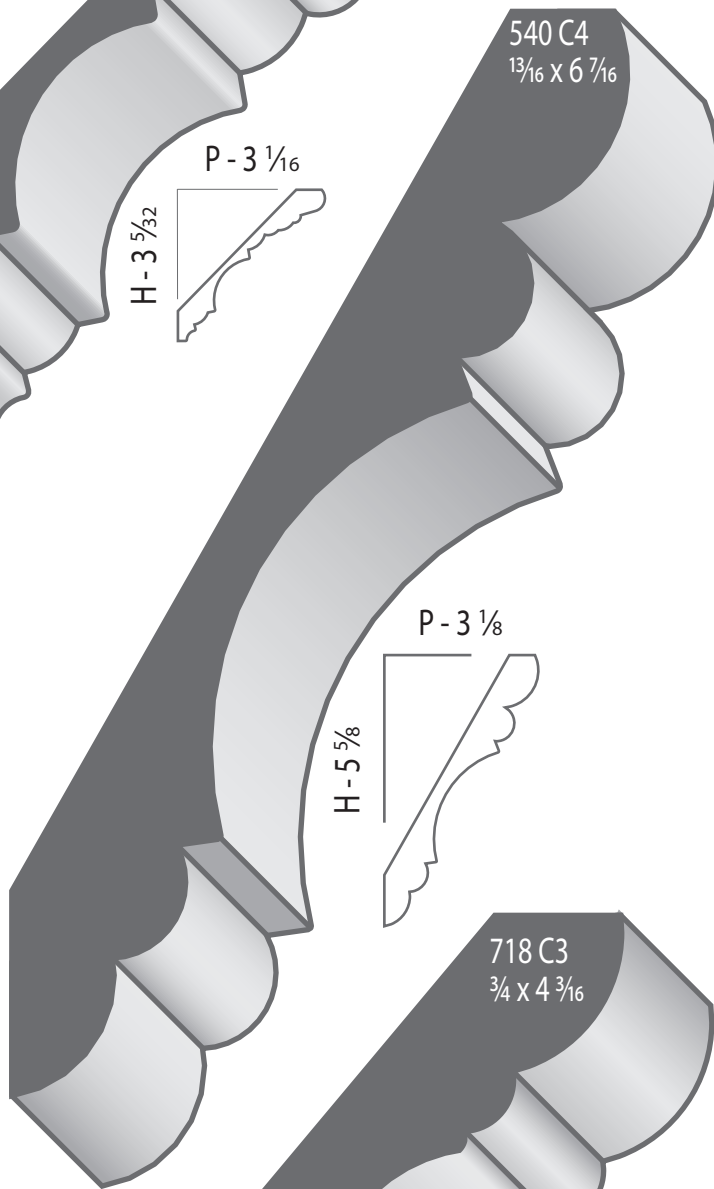
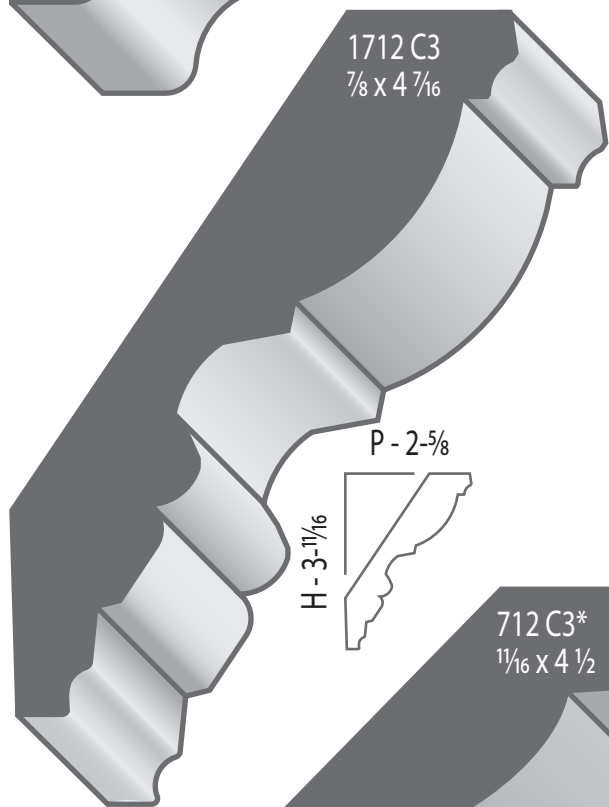
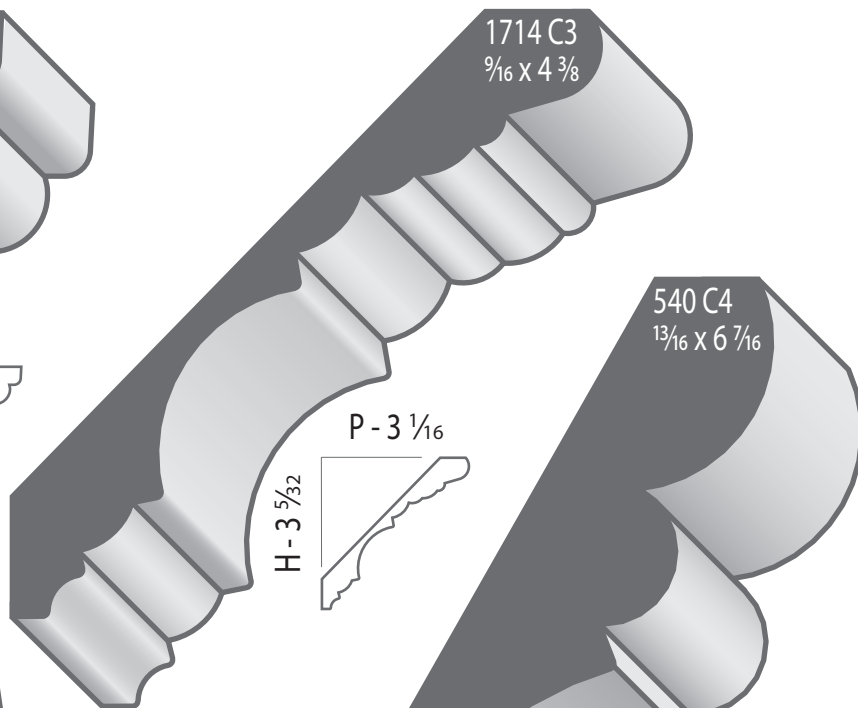
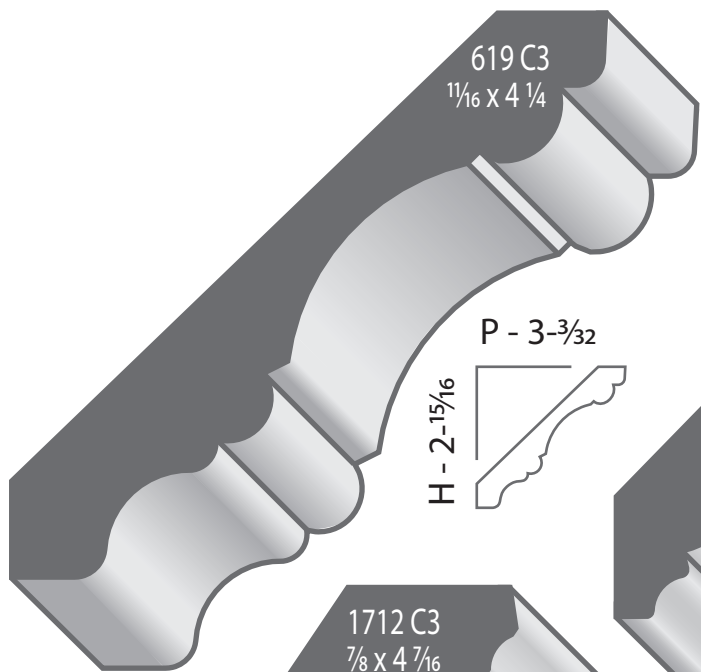


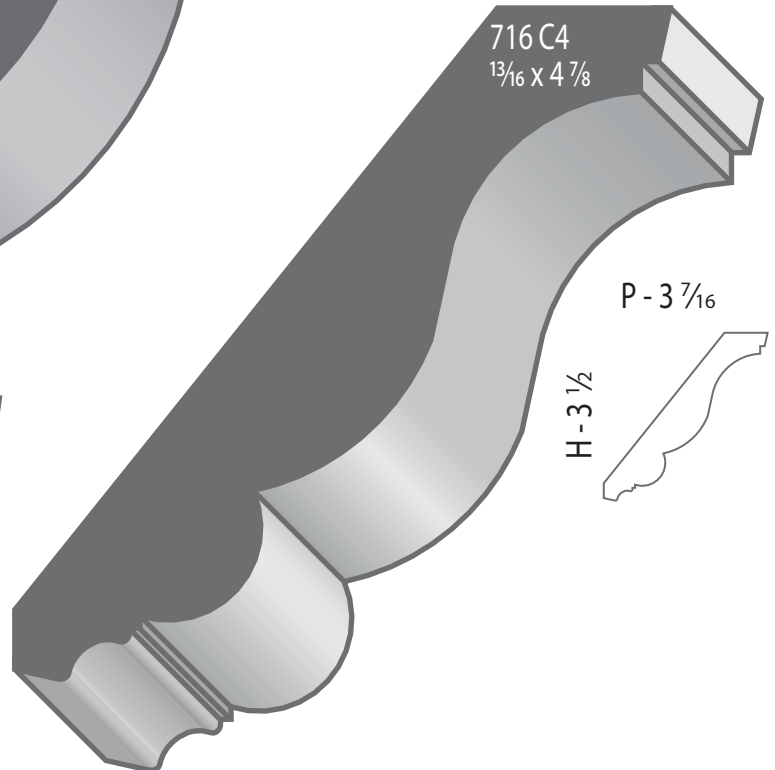
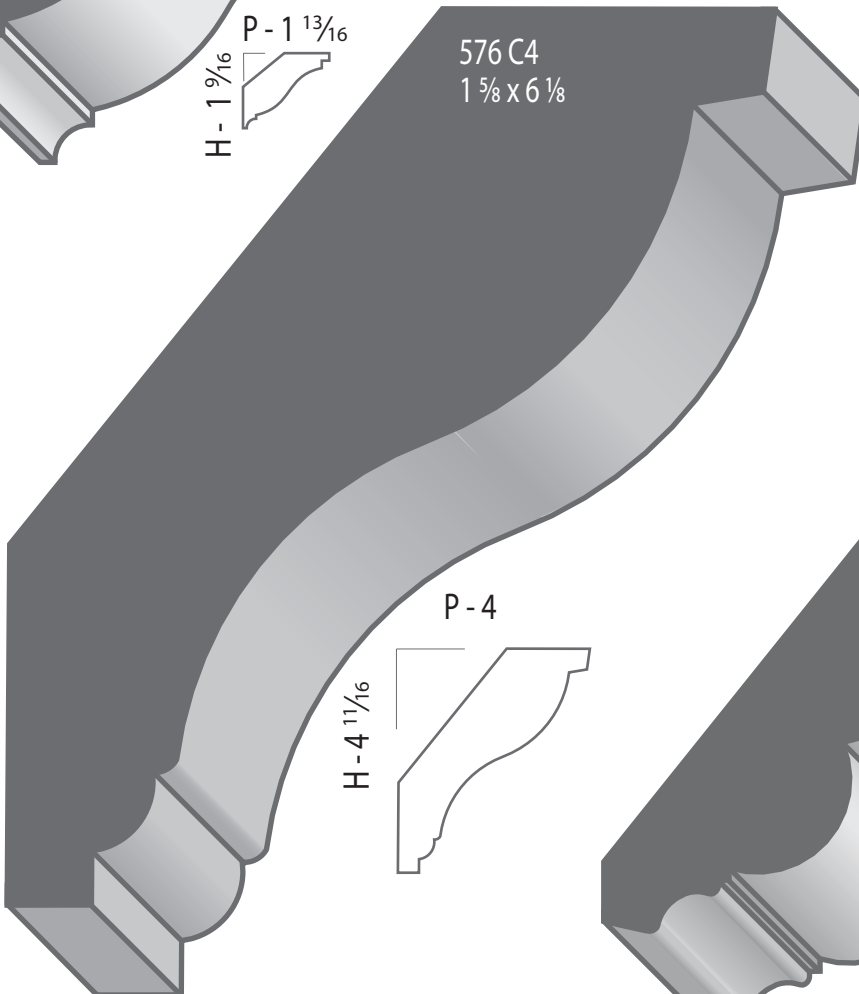
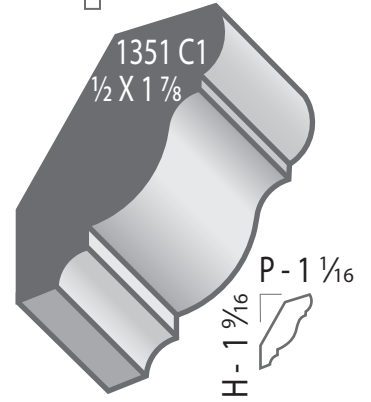
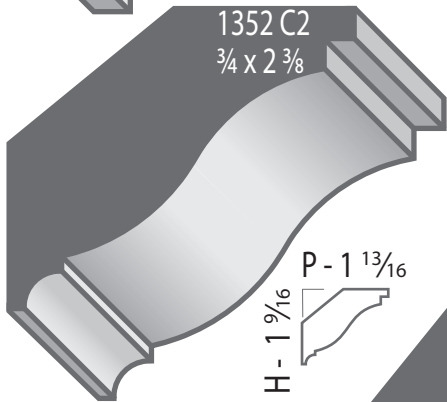
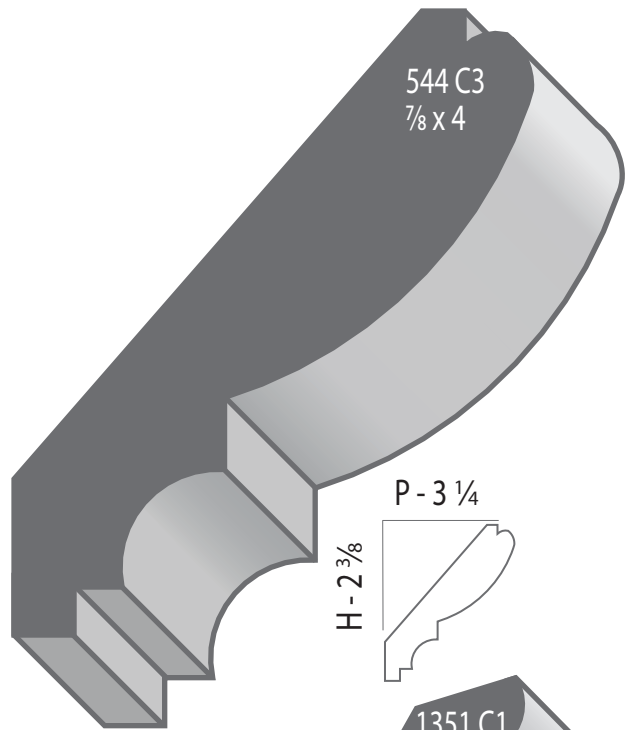
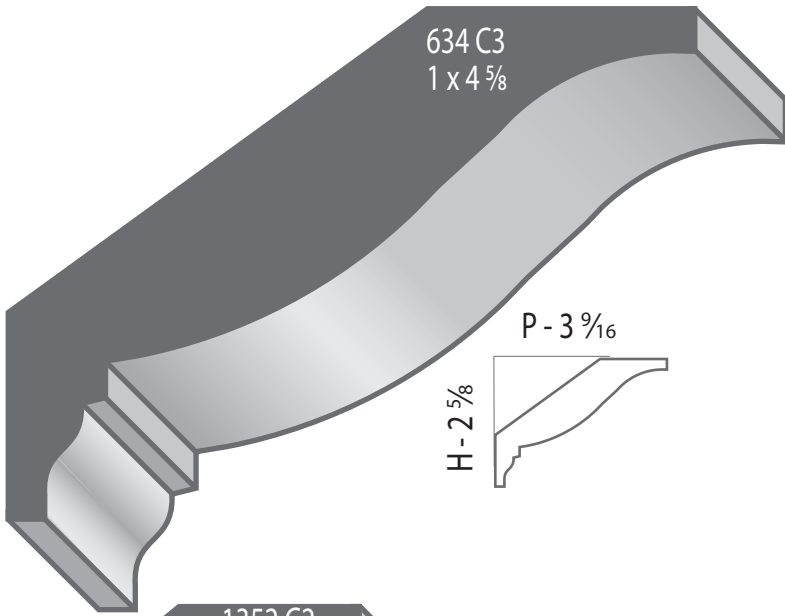


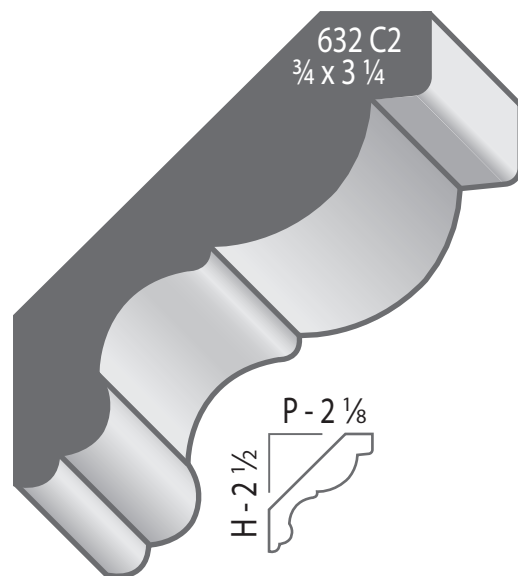
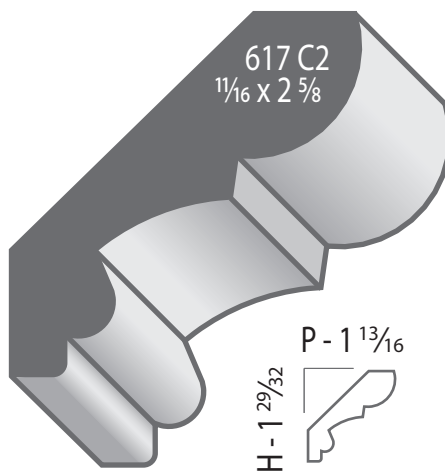
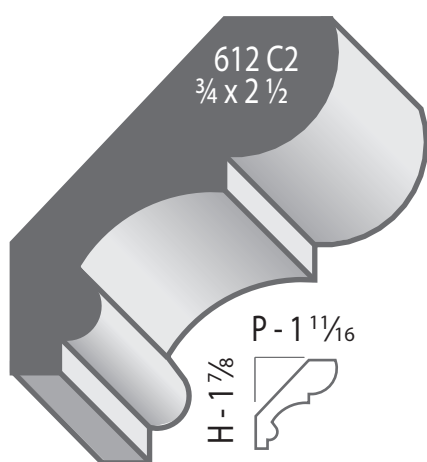
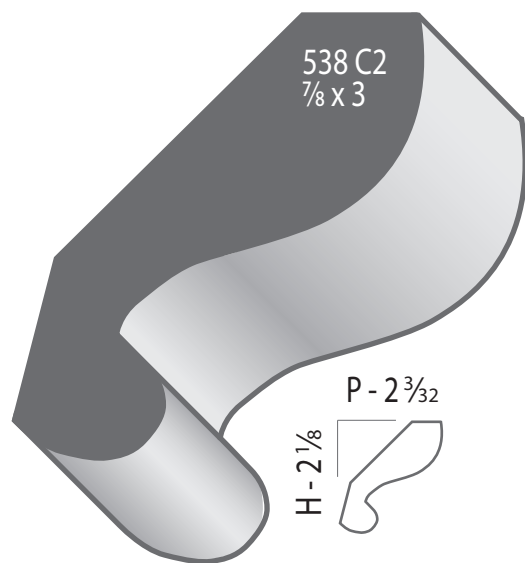
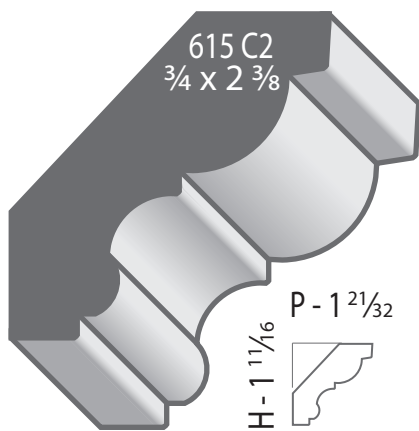
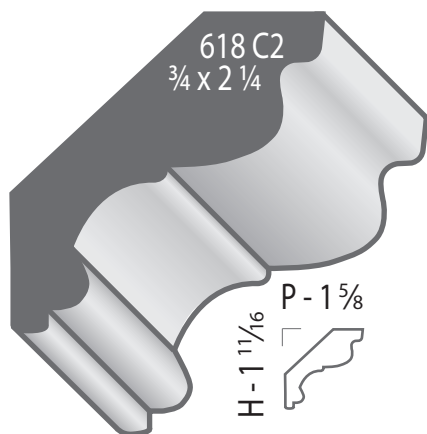
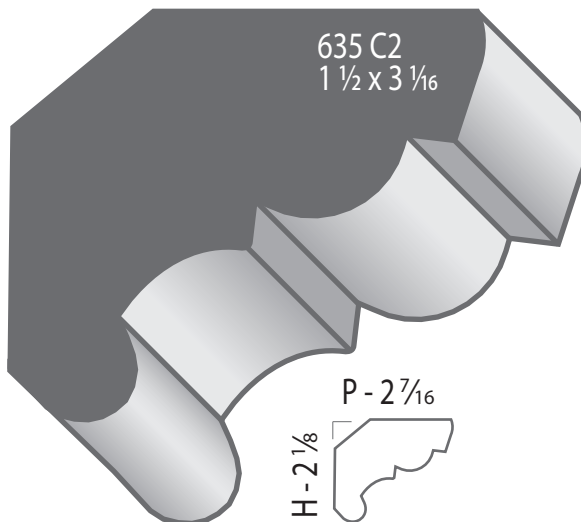
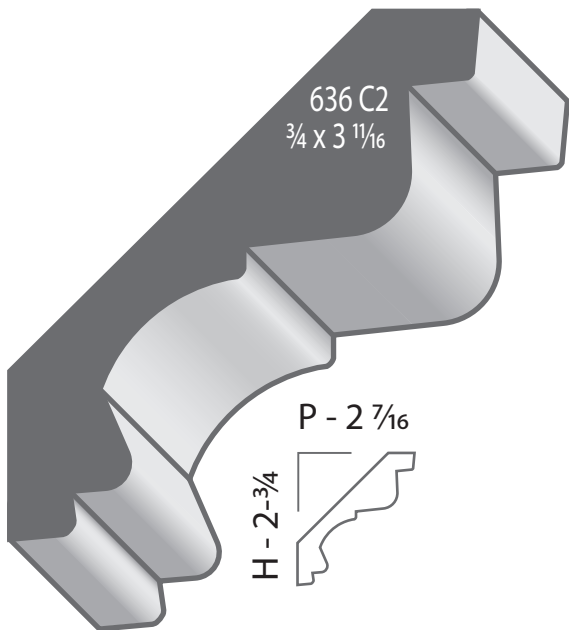


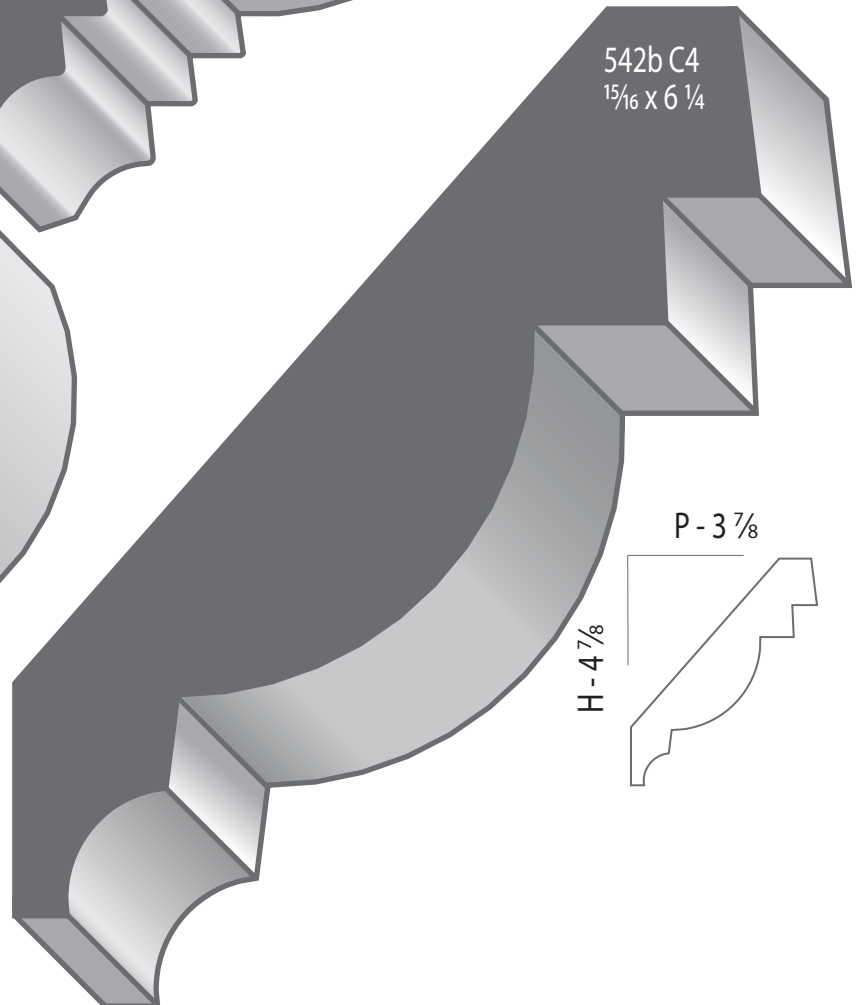
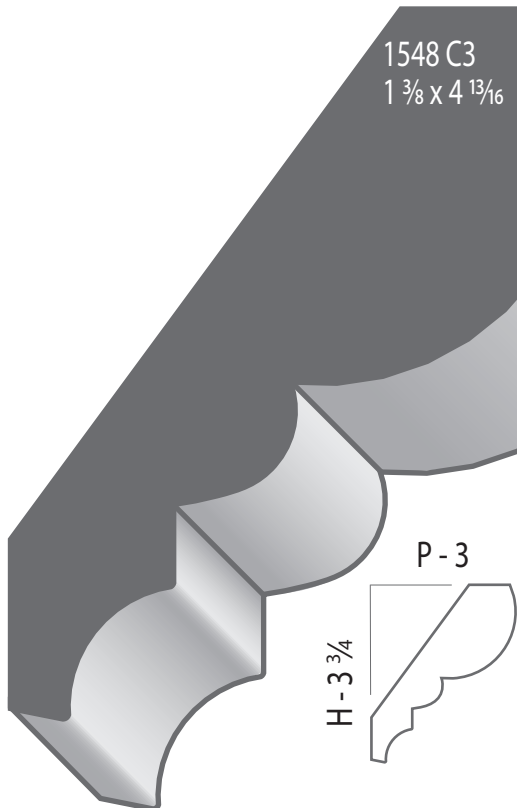
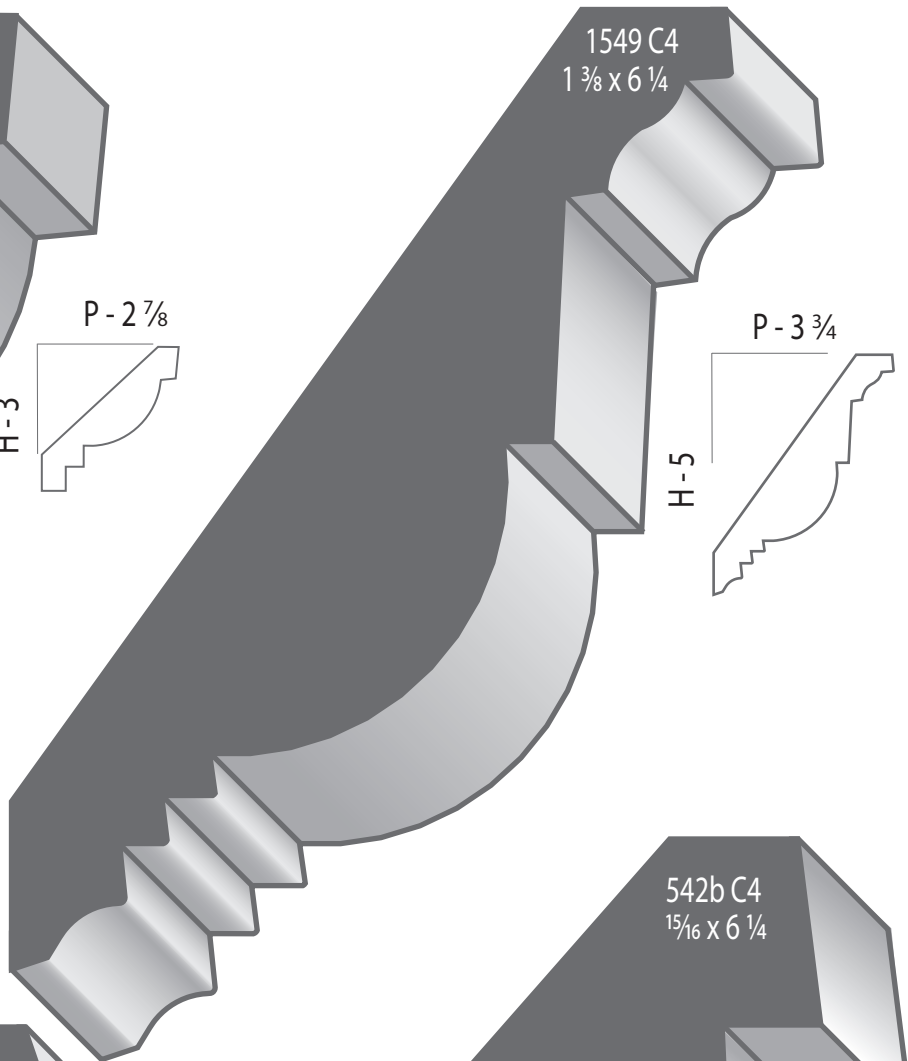
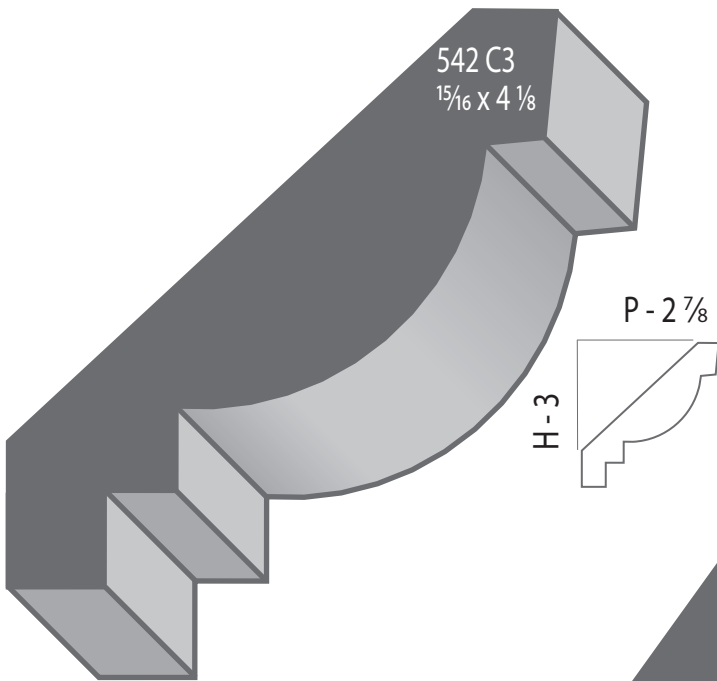
# CROWNS

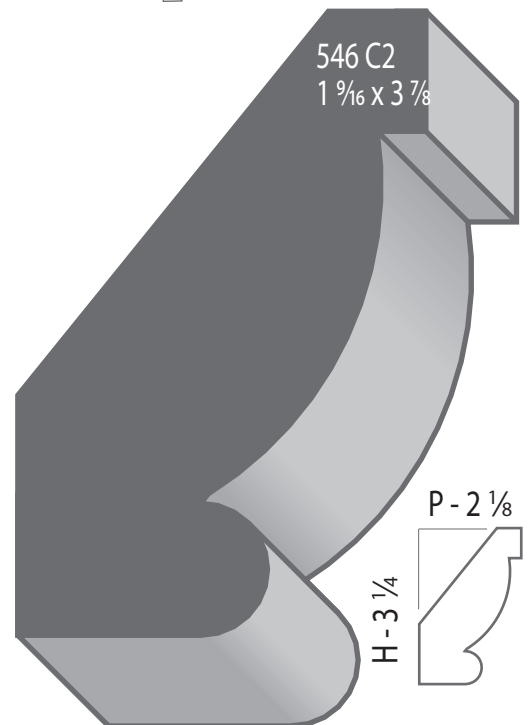
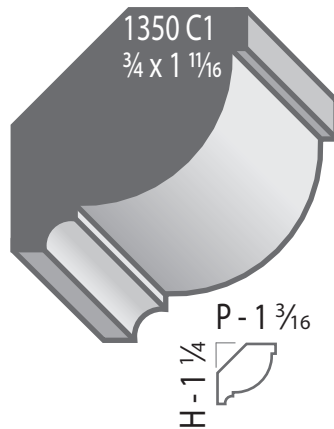
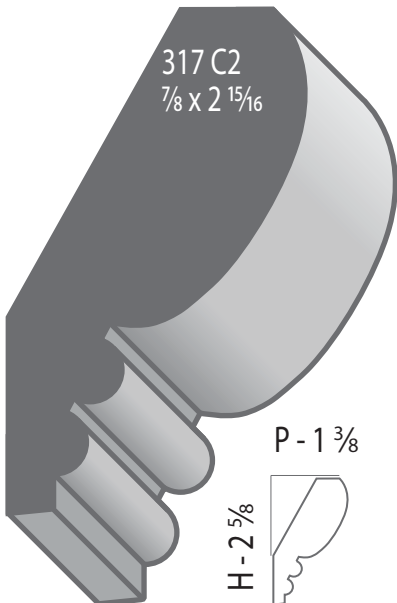
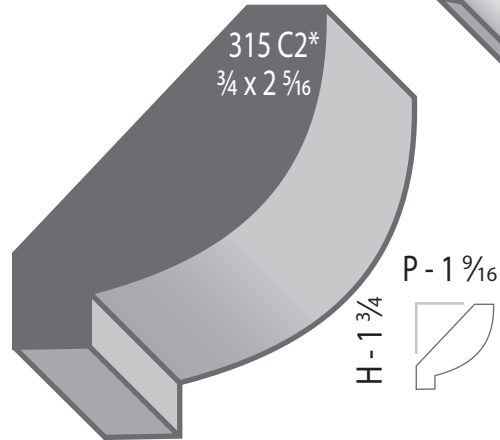
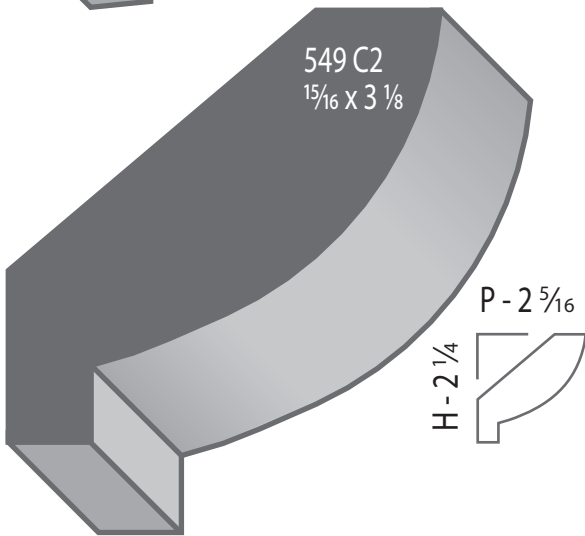
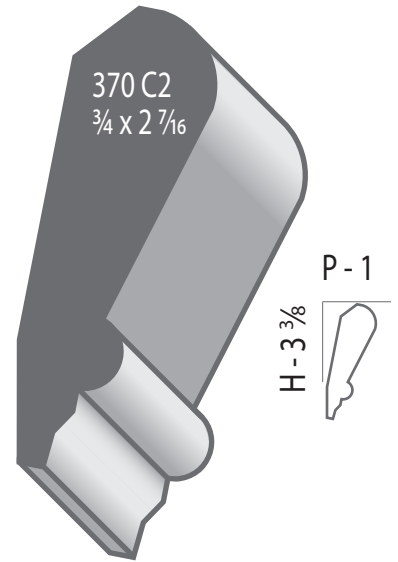
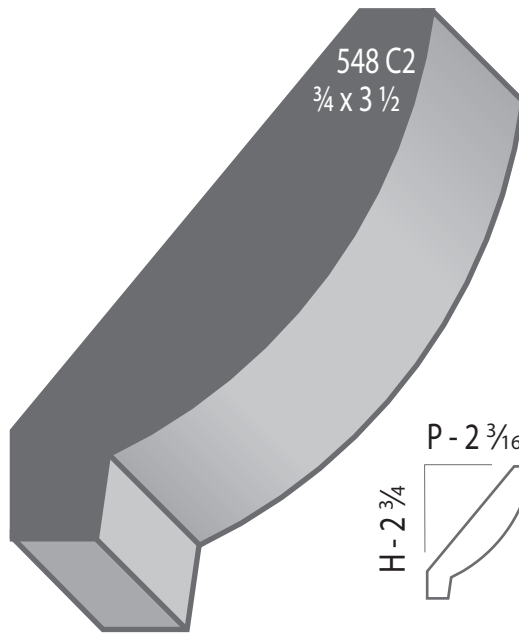
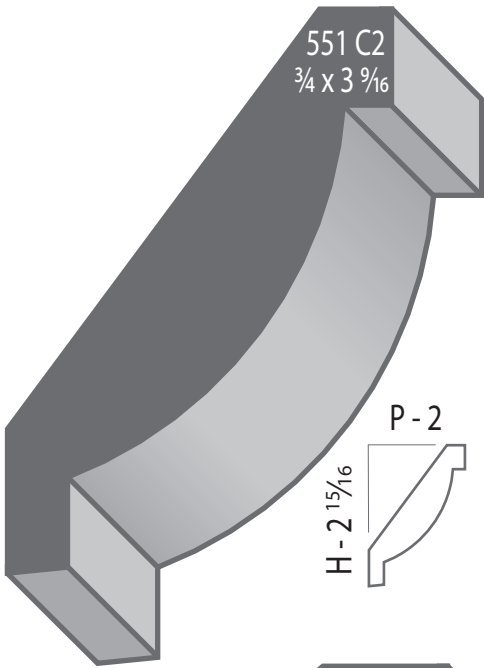




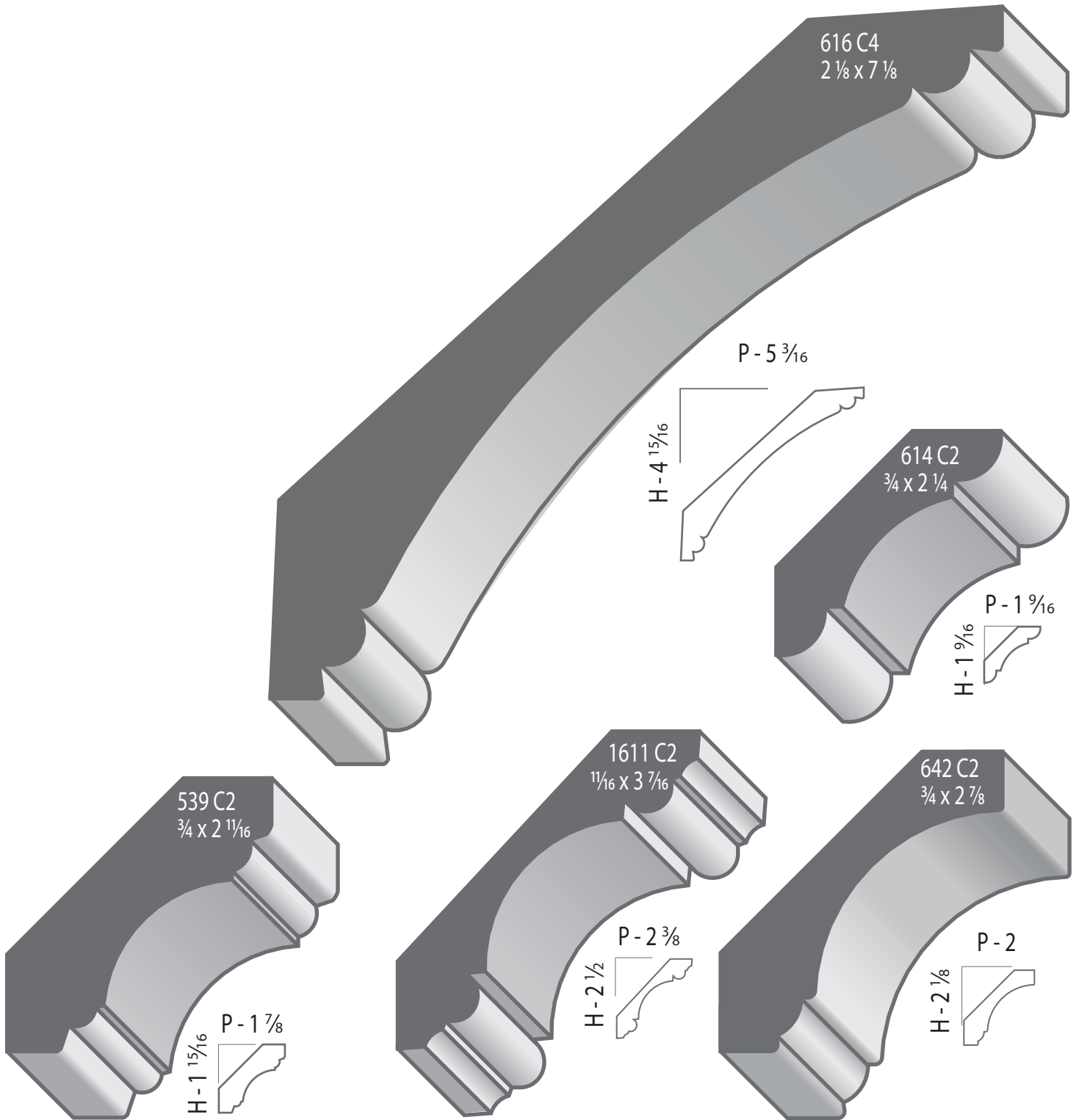


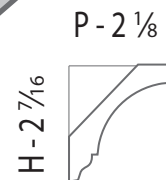
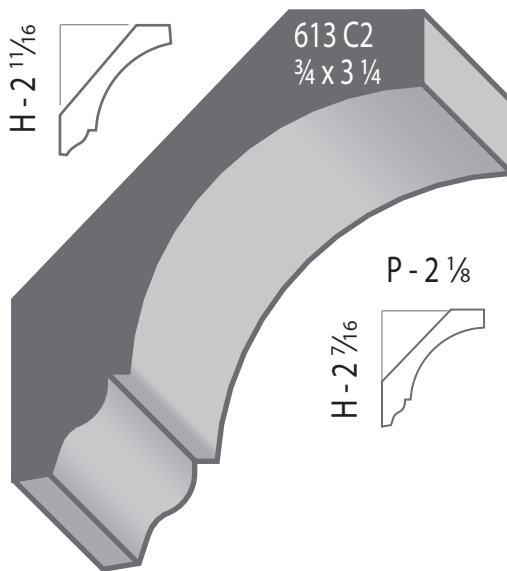
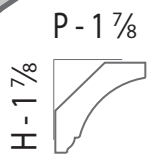
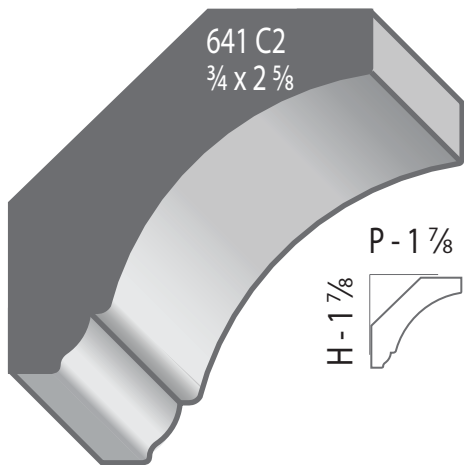
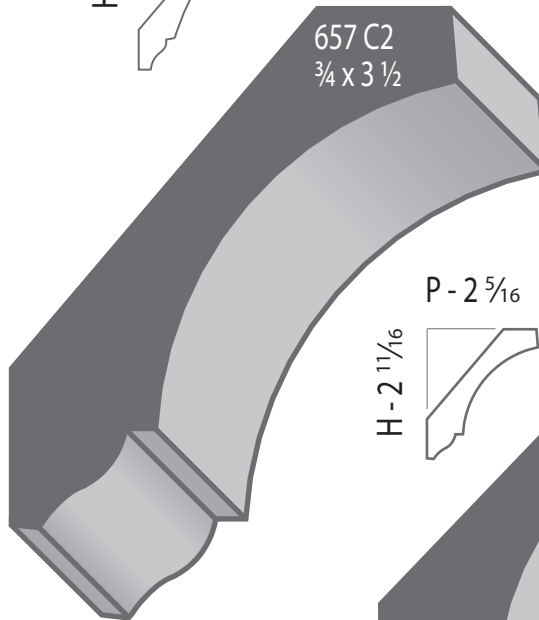
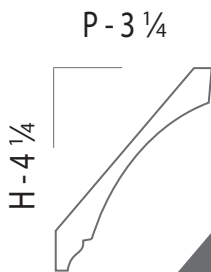
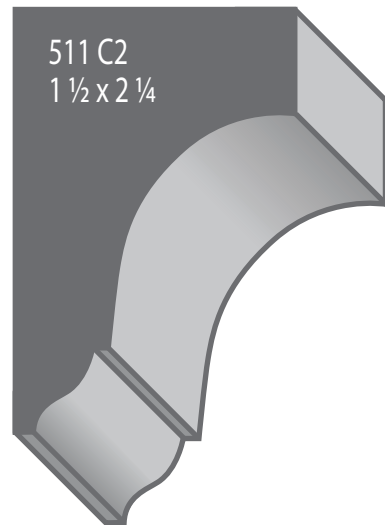
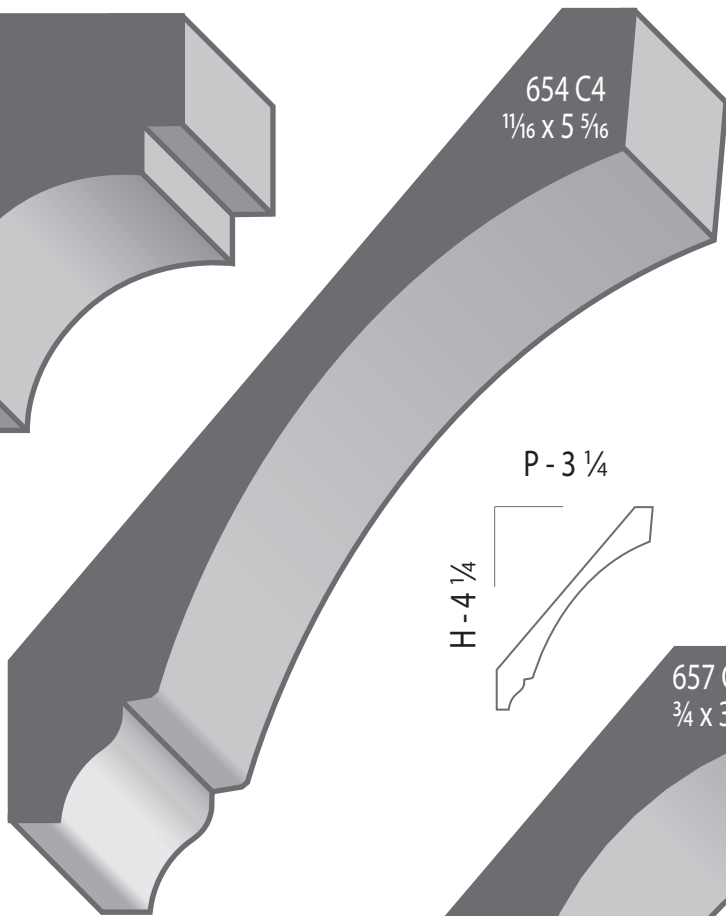
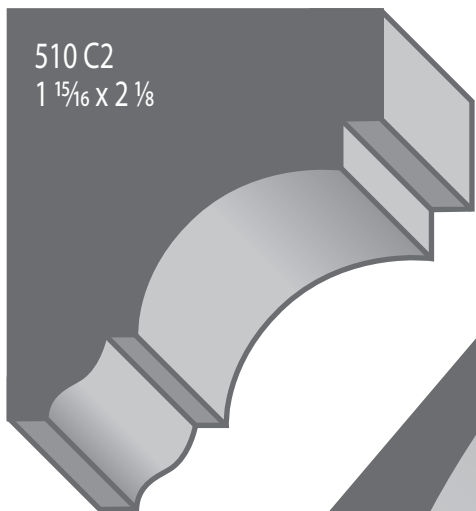






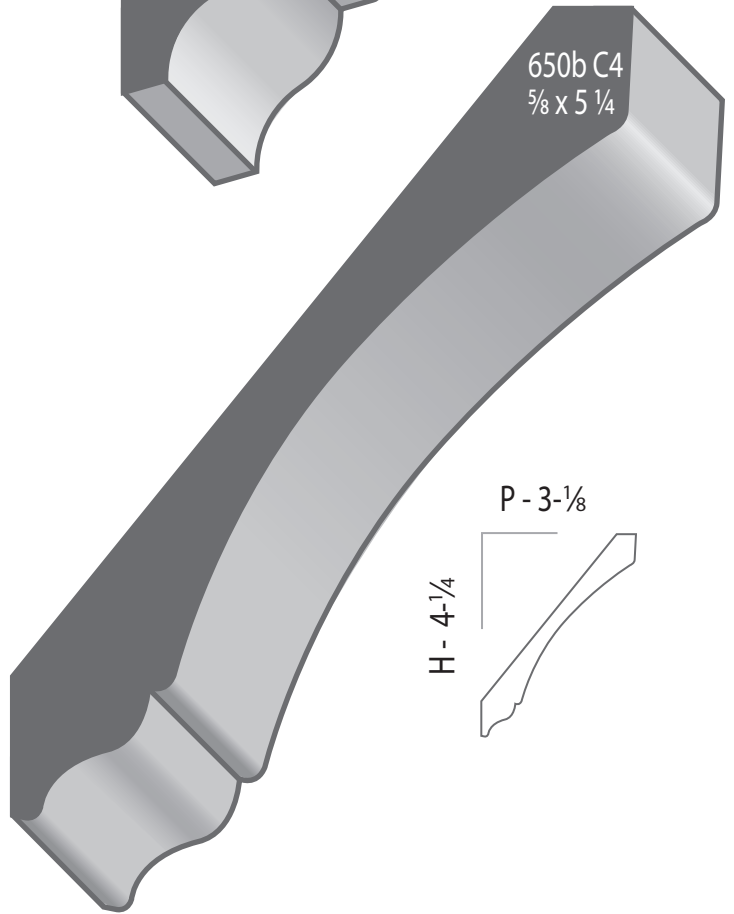
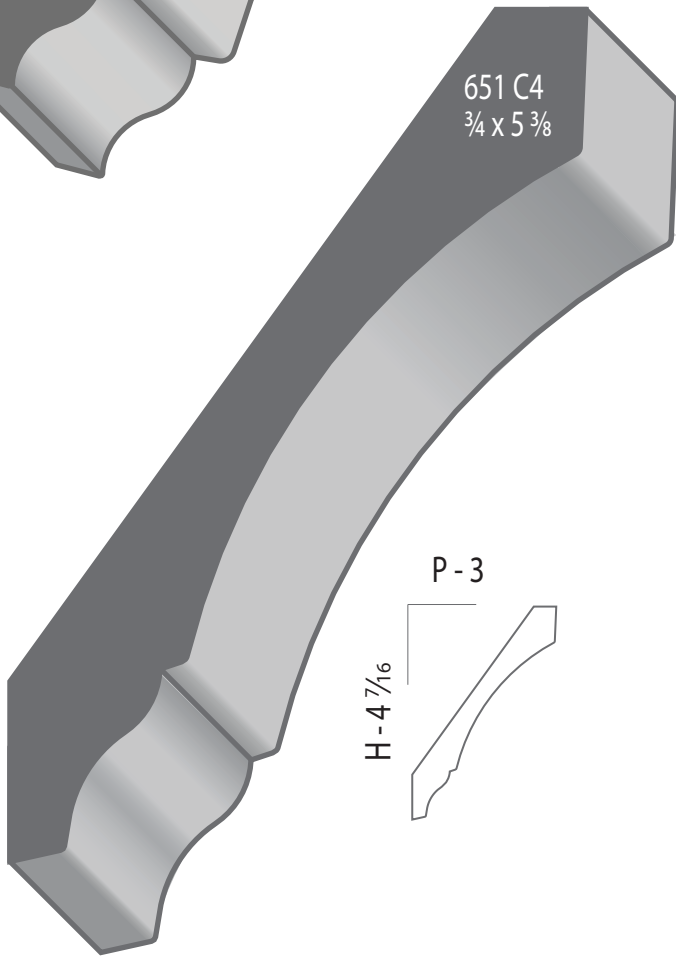
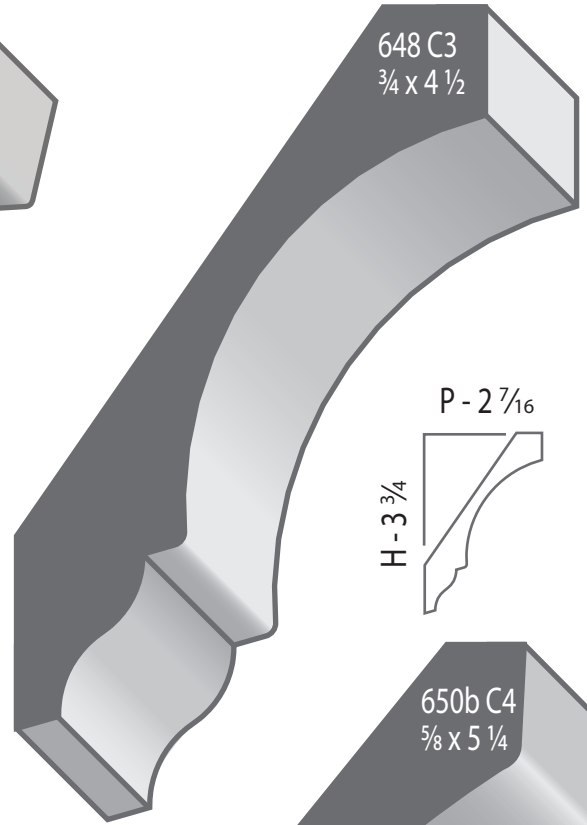
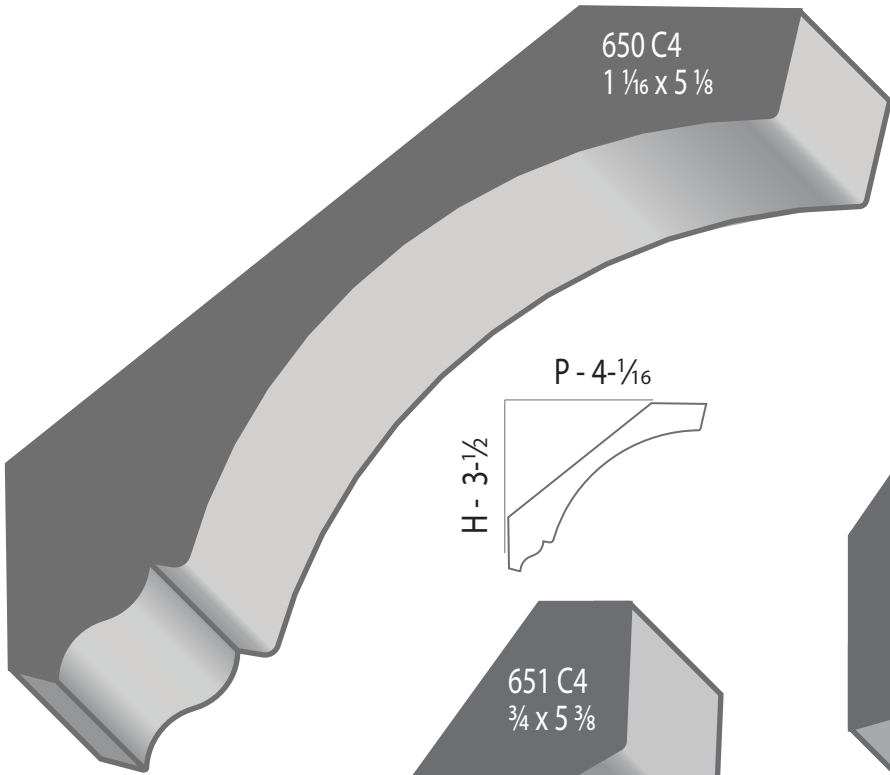


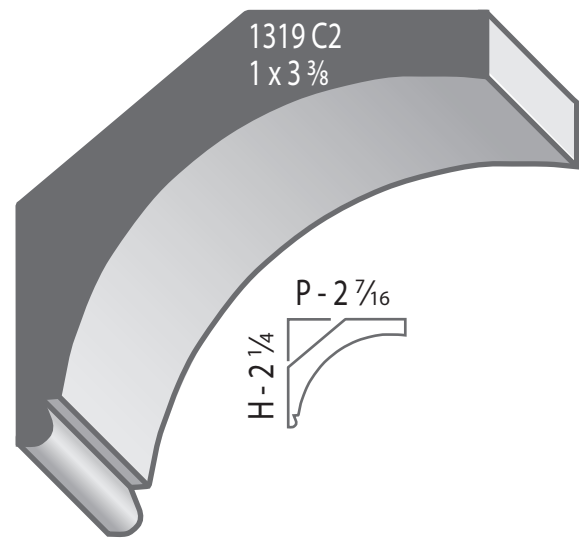
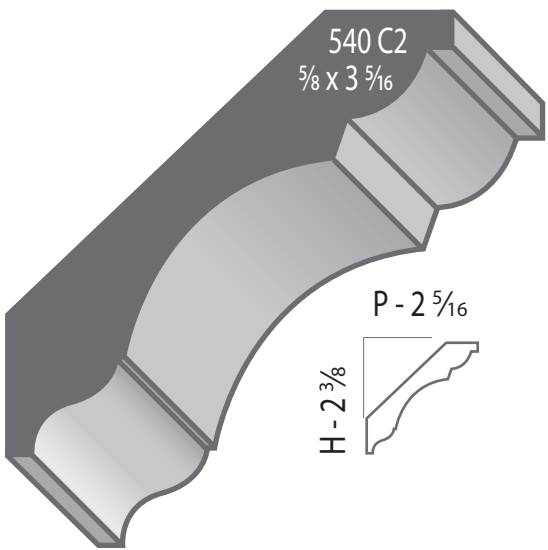
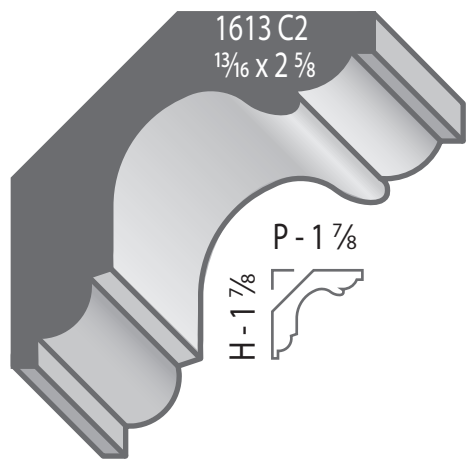
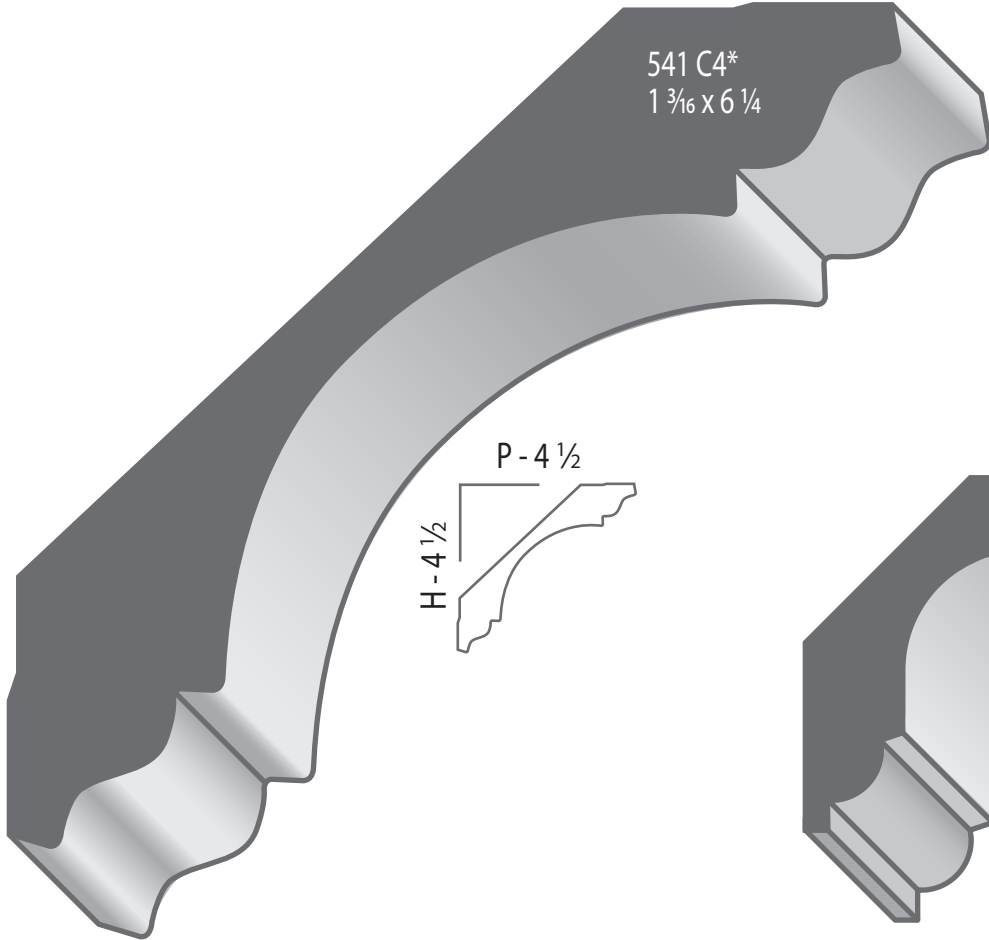


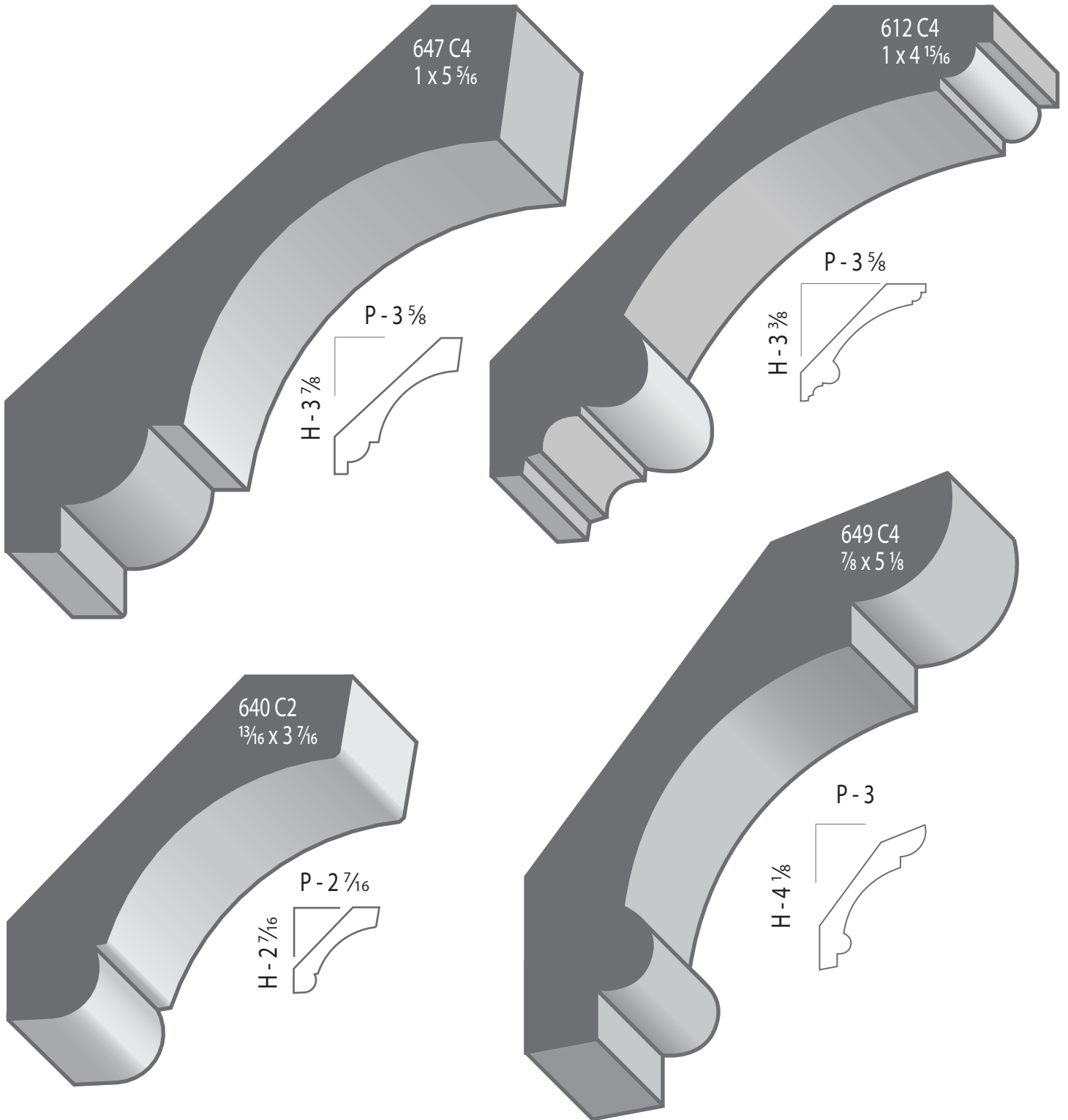


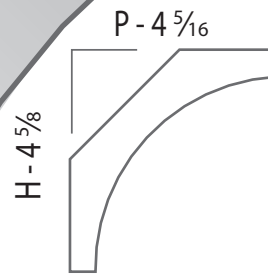
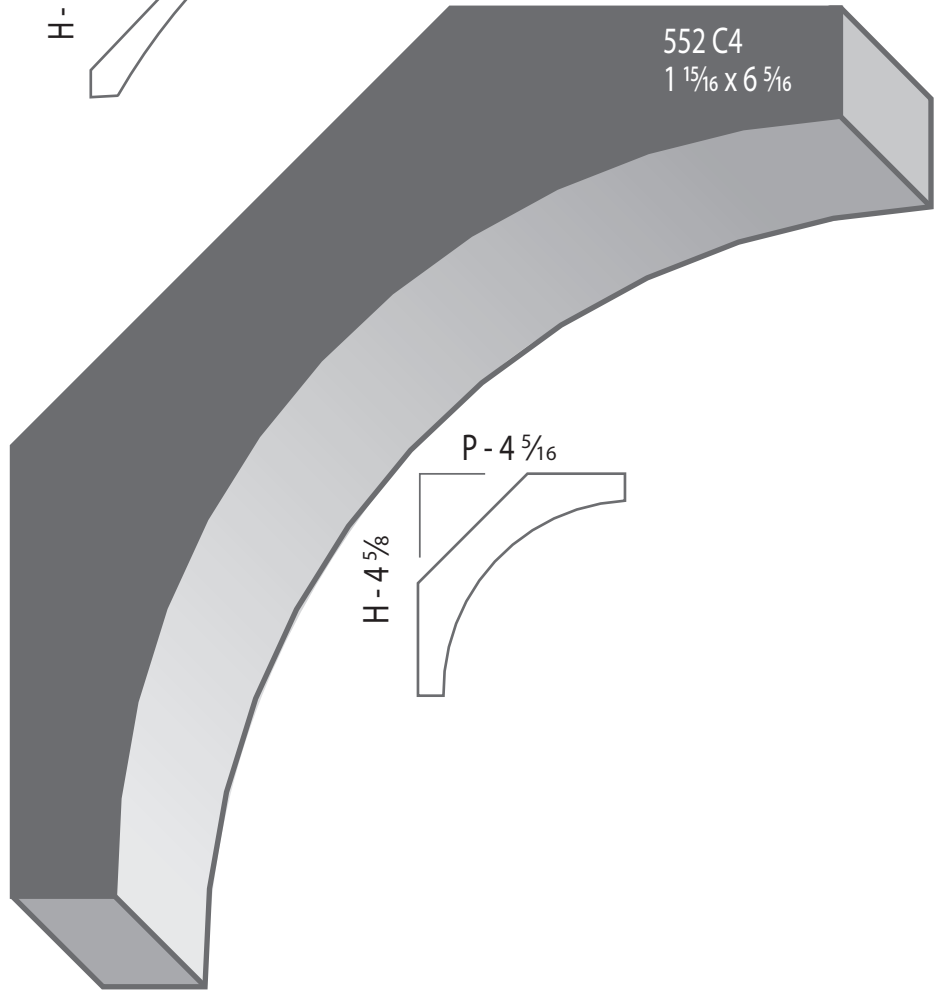
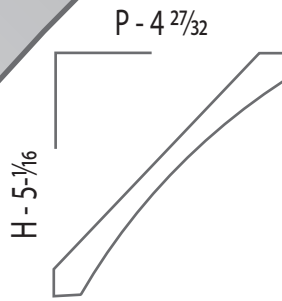
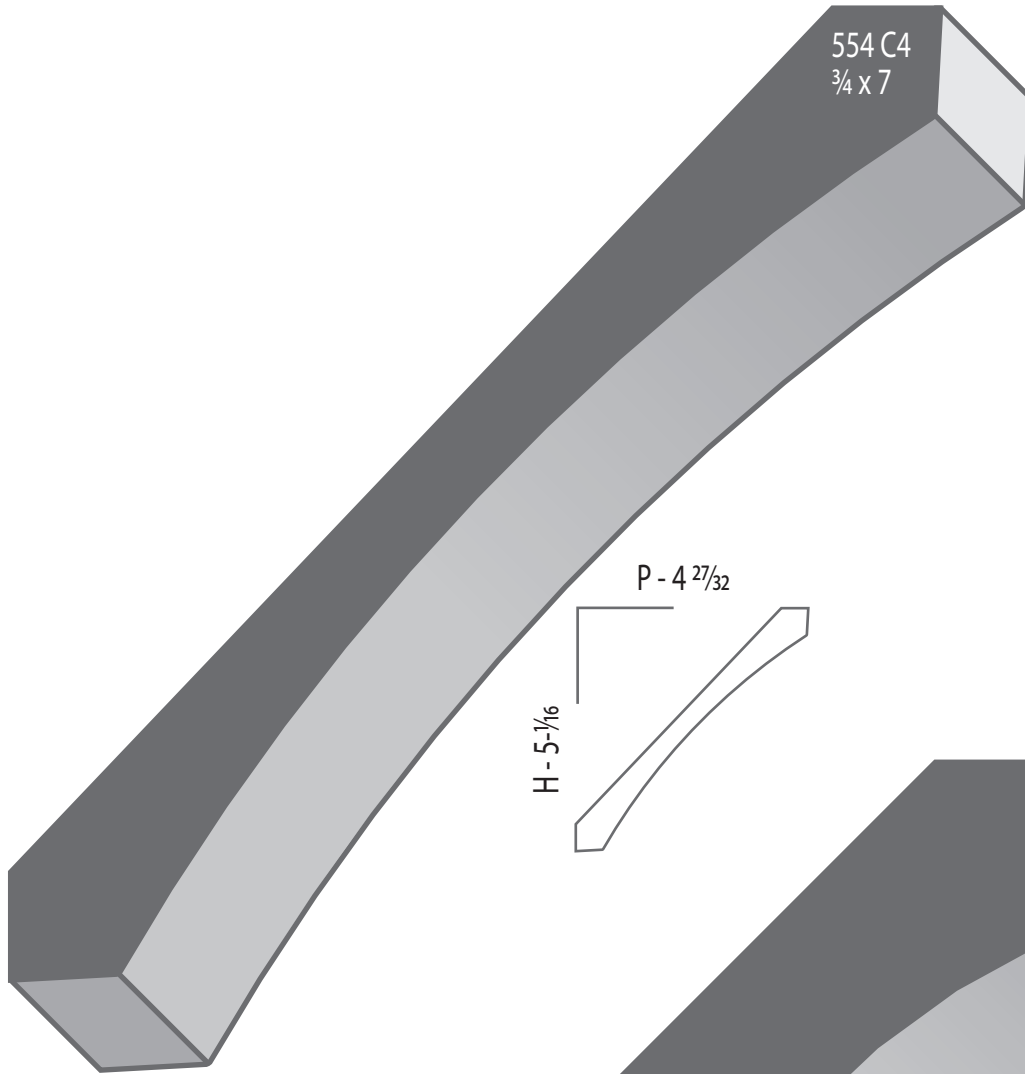


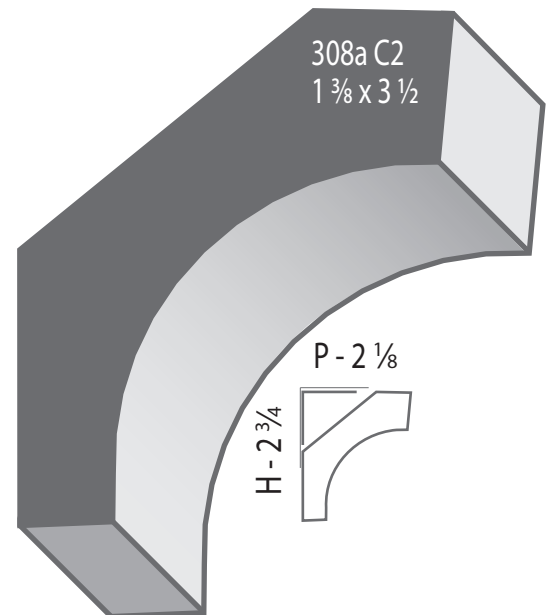
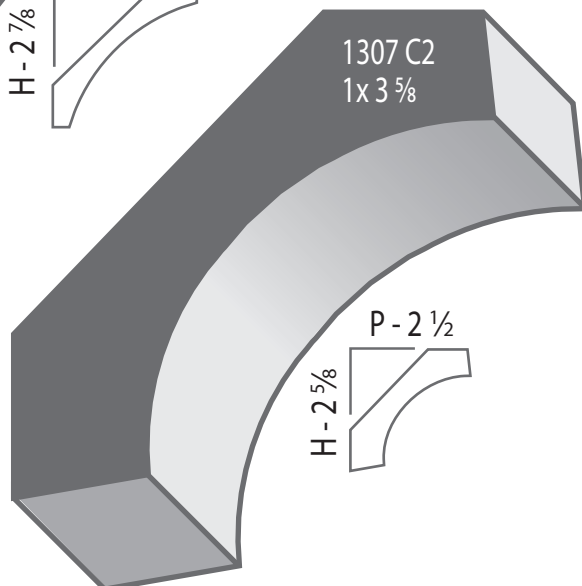
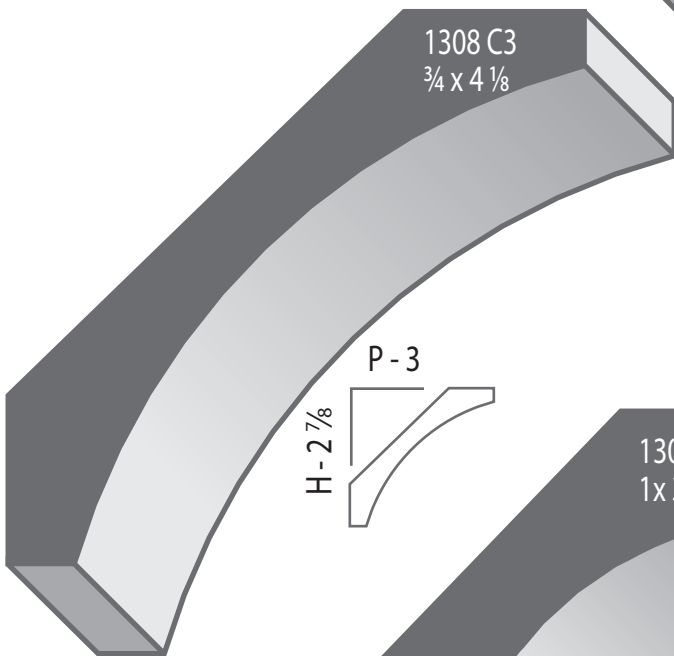
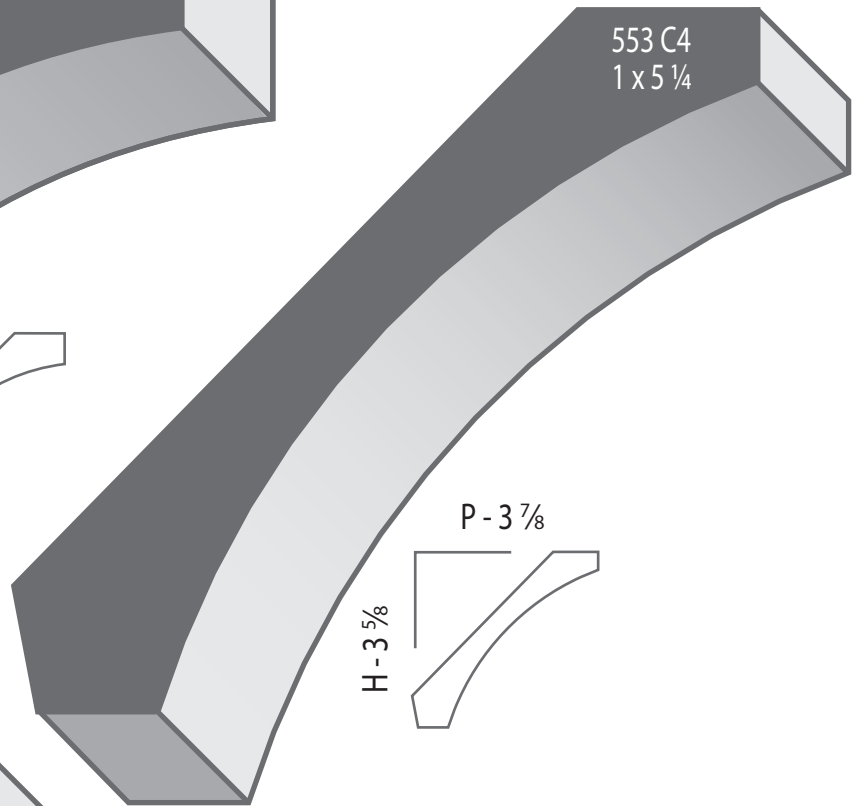
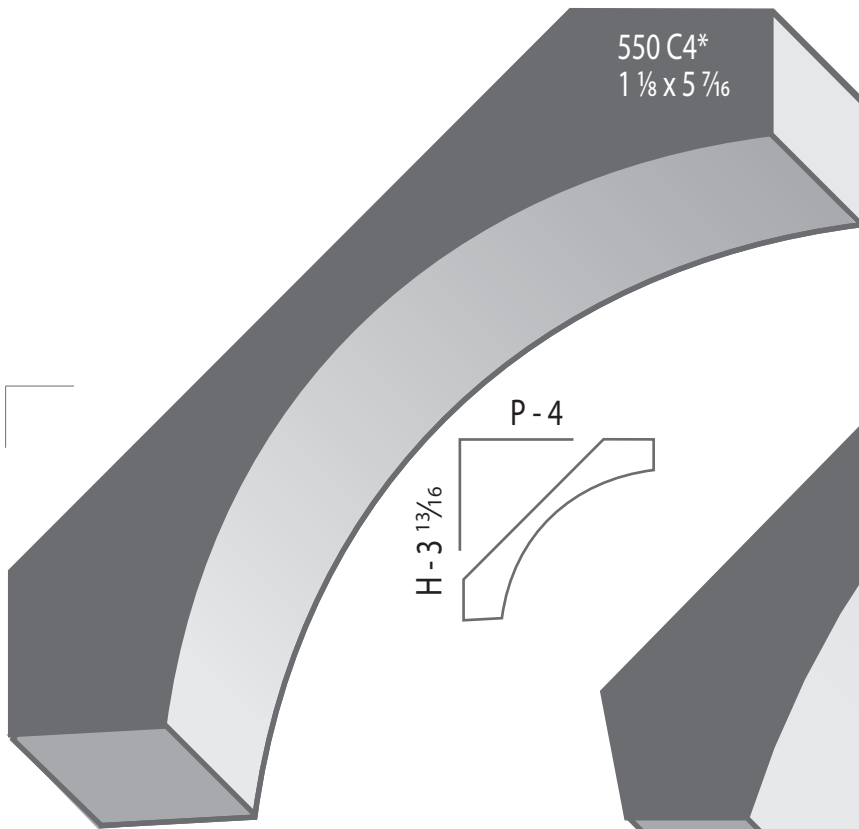
# COVES

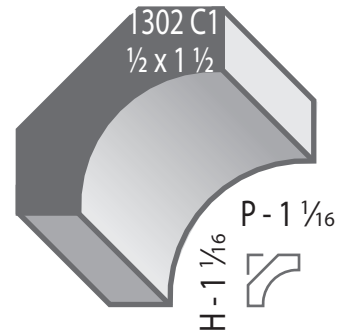
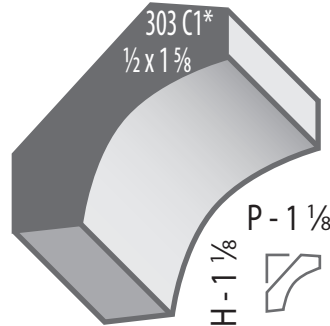
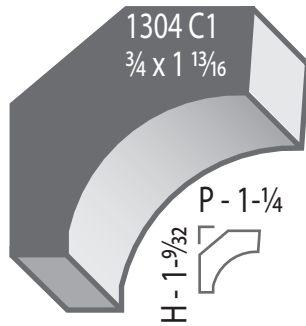
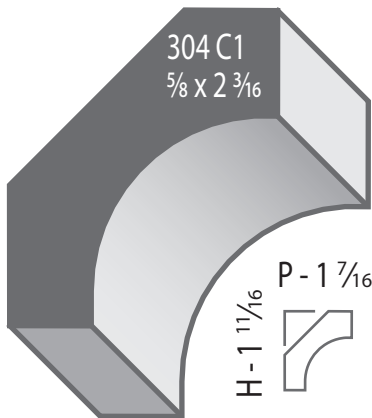
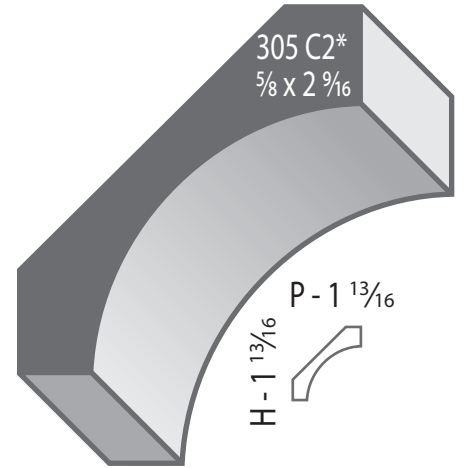
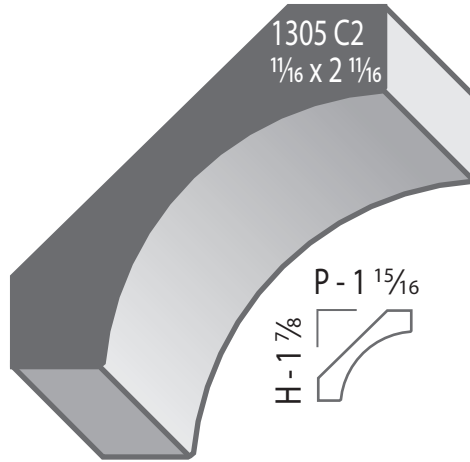
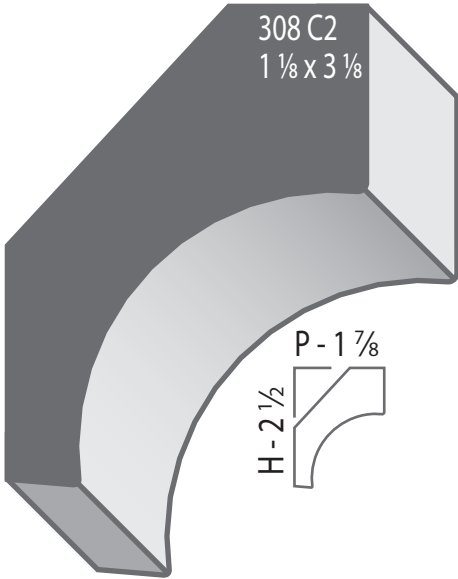
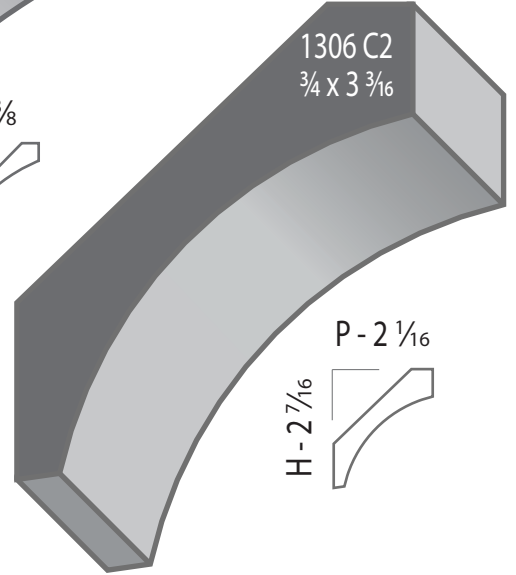
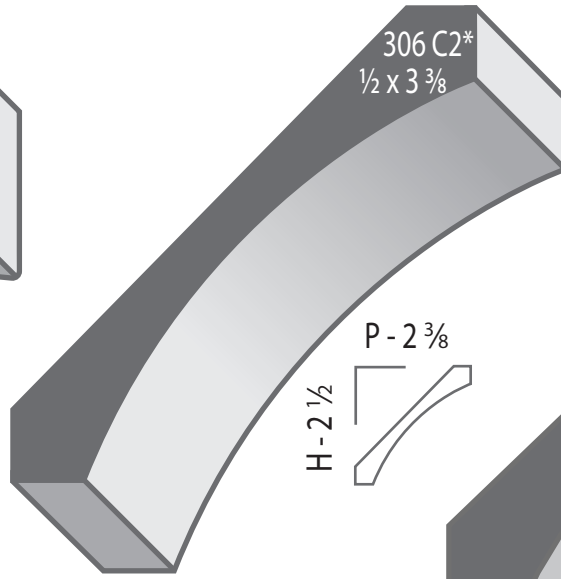
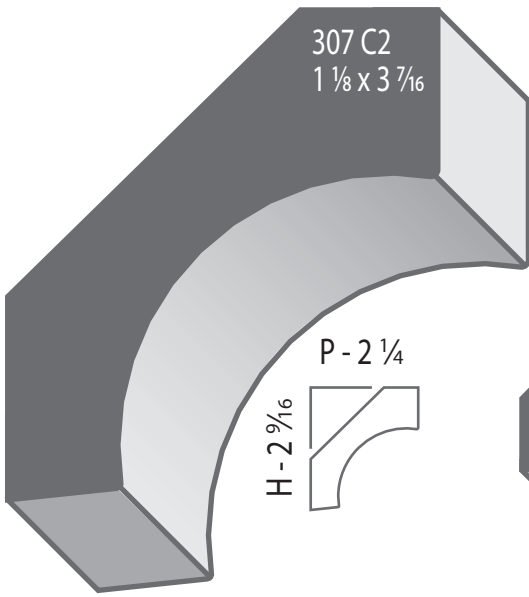








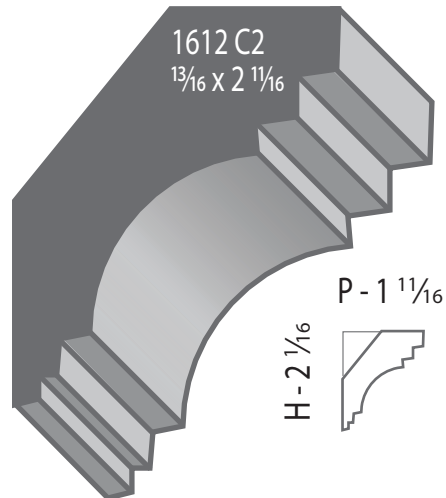
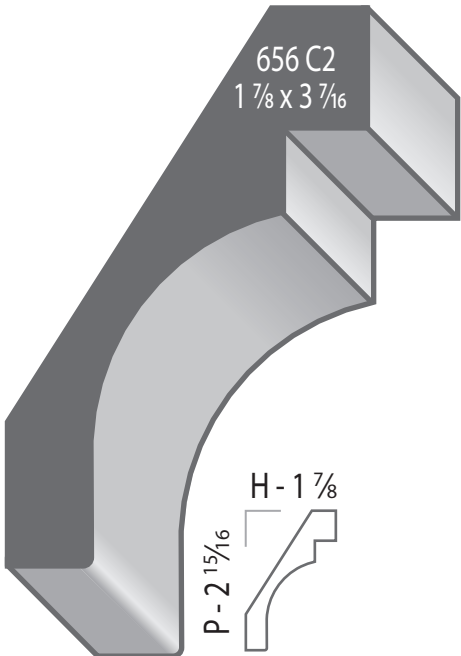
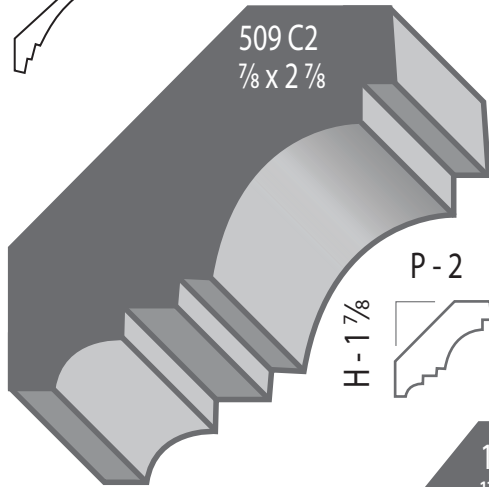
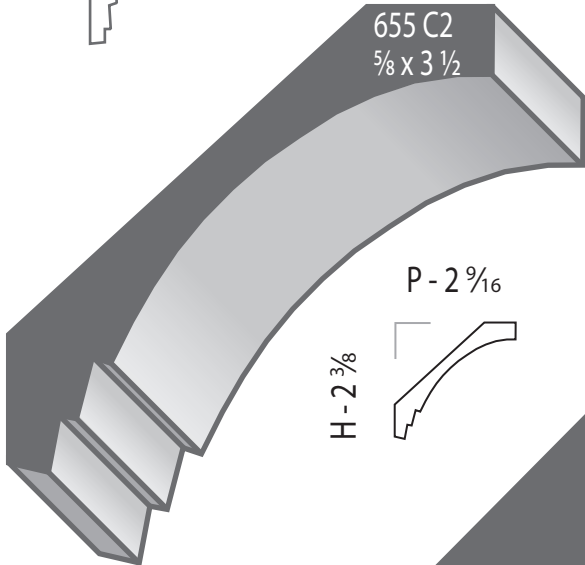
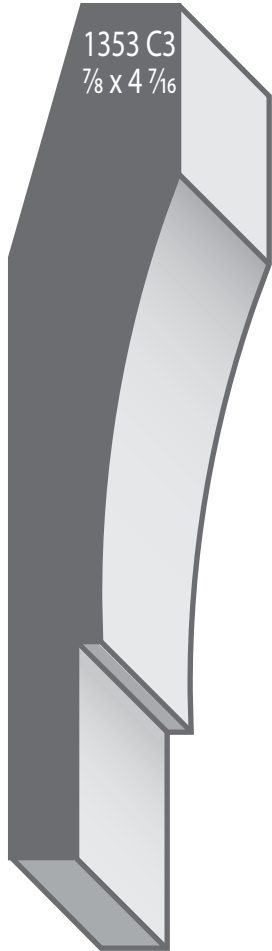
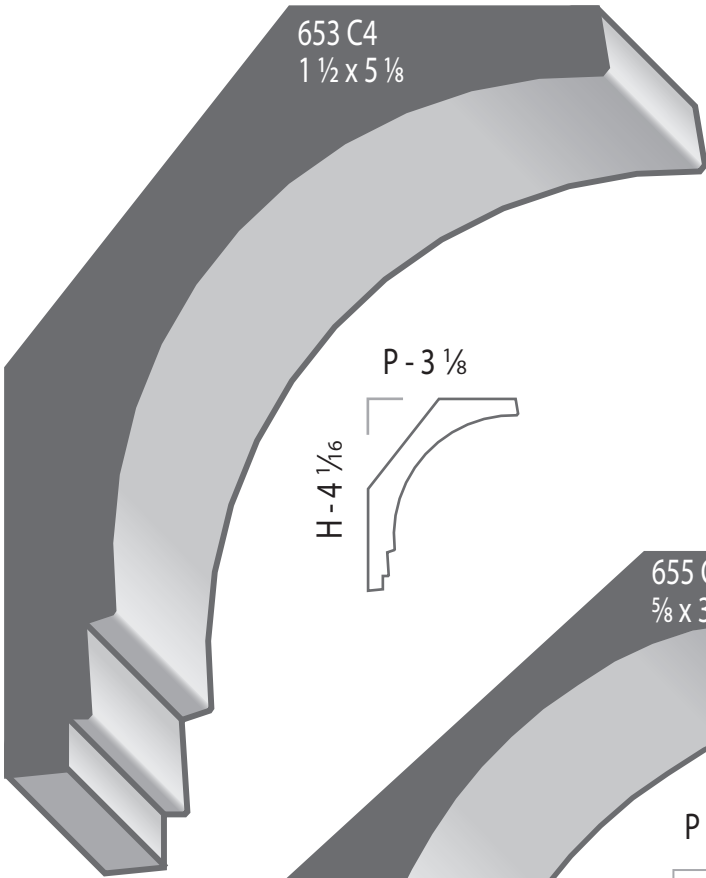


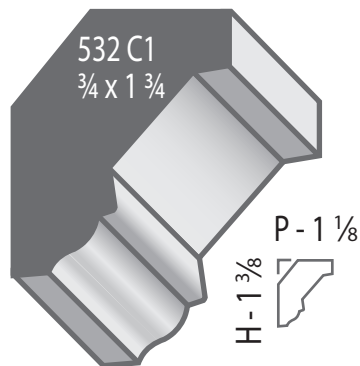
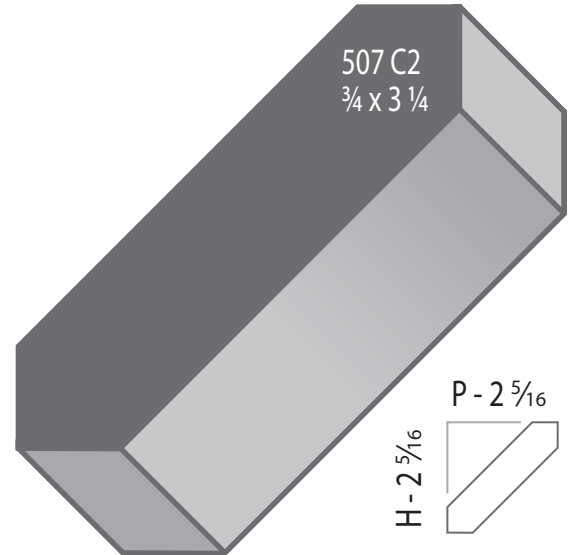
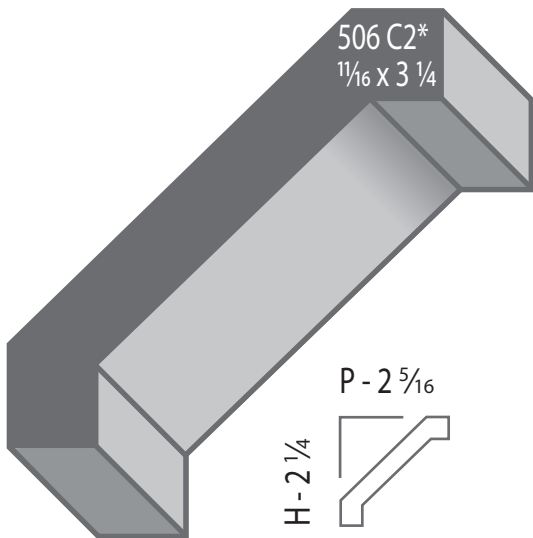
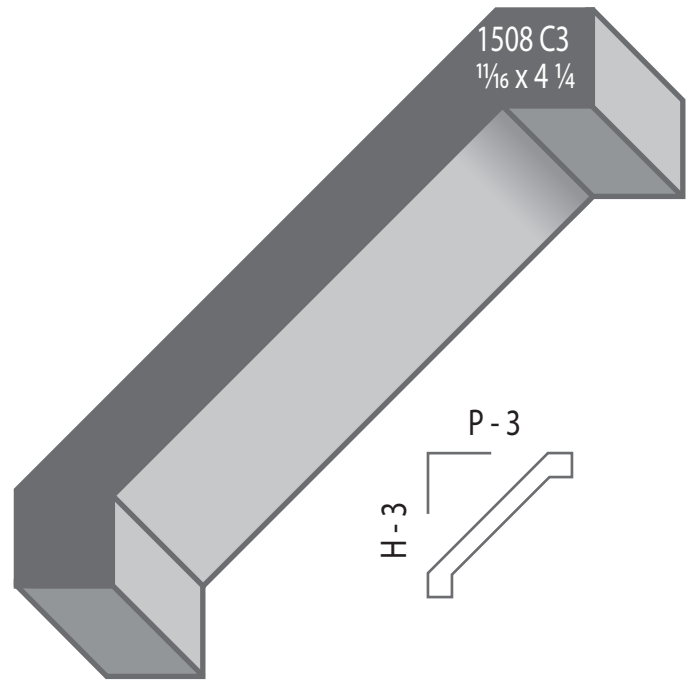
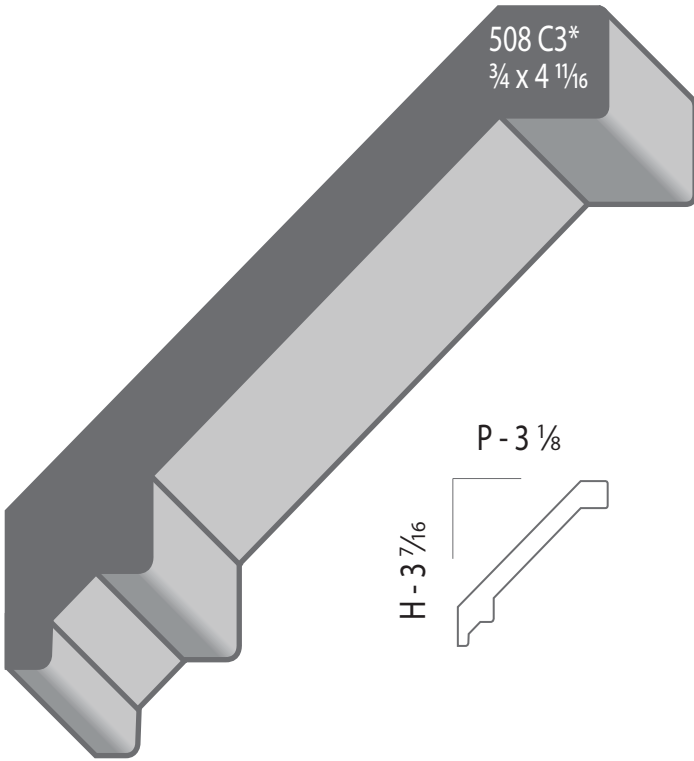


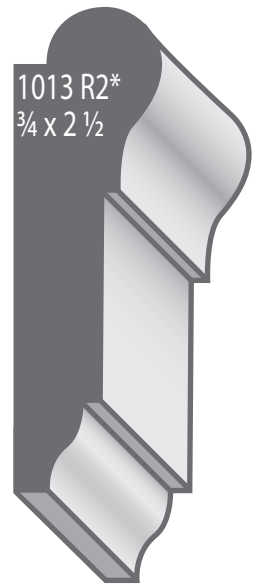
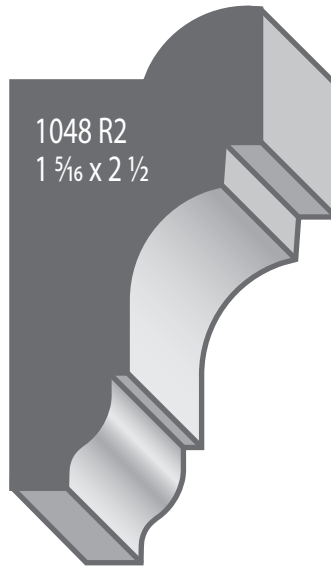
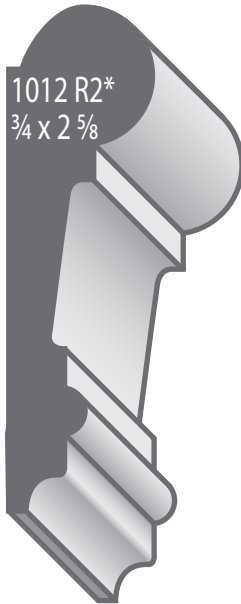
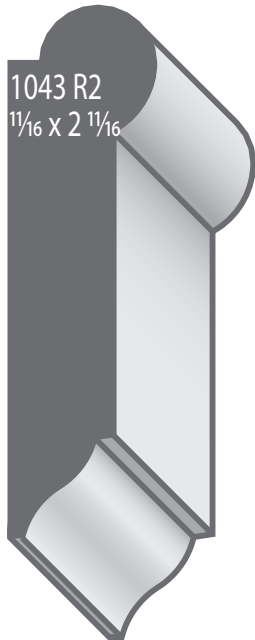
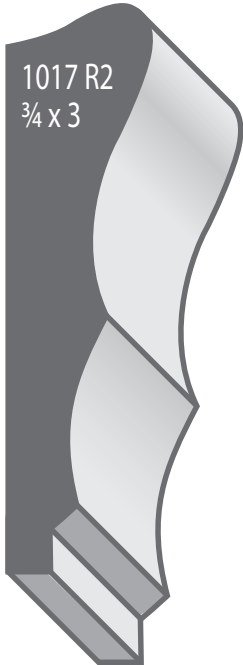




# COVES







Pair with 553 C4 for original buildup

