

# Section A - Crowns & Picture Rails

## McCOY MILLWORK

Custom Shop Services

For custom profiles pricing is determined by the chosen species of wood and quantity. Provide the following:

1. A sample or scale drawing of the profile.
2. Amount of moulding needed in Lineal Feet.
3. Preferred species of wood.
4. Preferred final finish (paint or stain).

Send us your information via email or come in for a quote. You can expect to hear from us regarding pricing in 2 days.

Manufacturing time varies: 2 days-2 weeks.

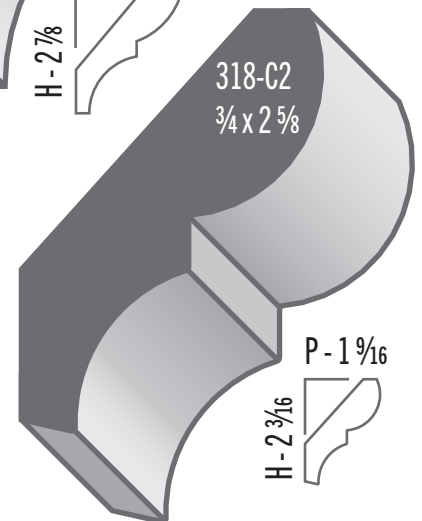
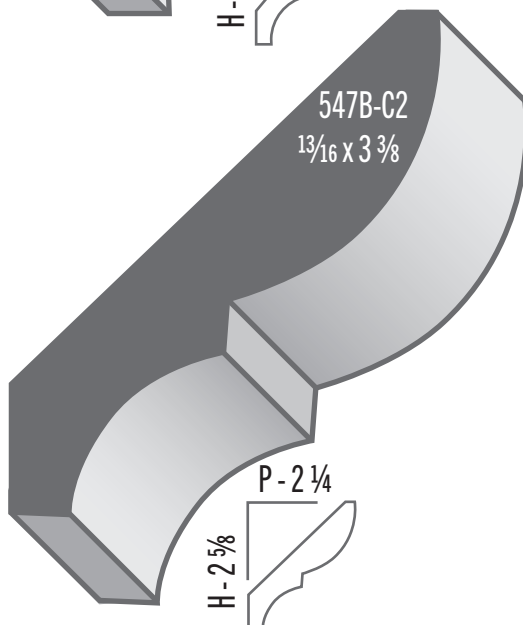
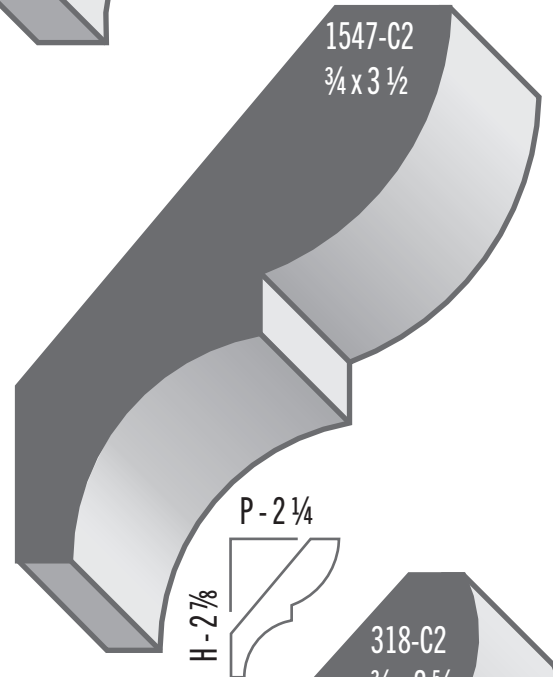
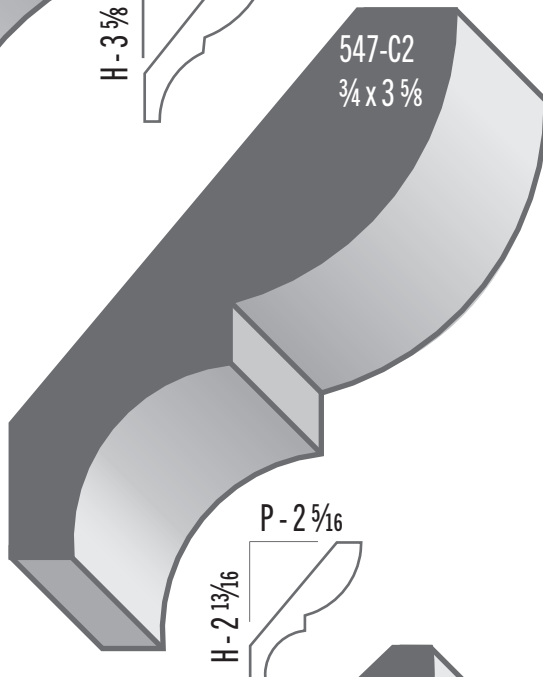
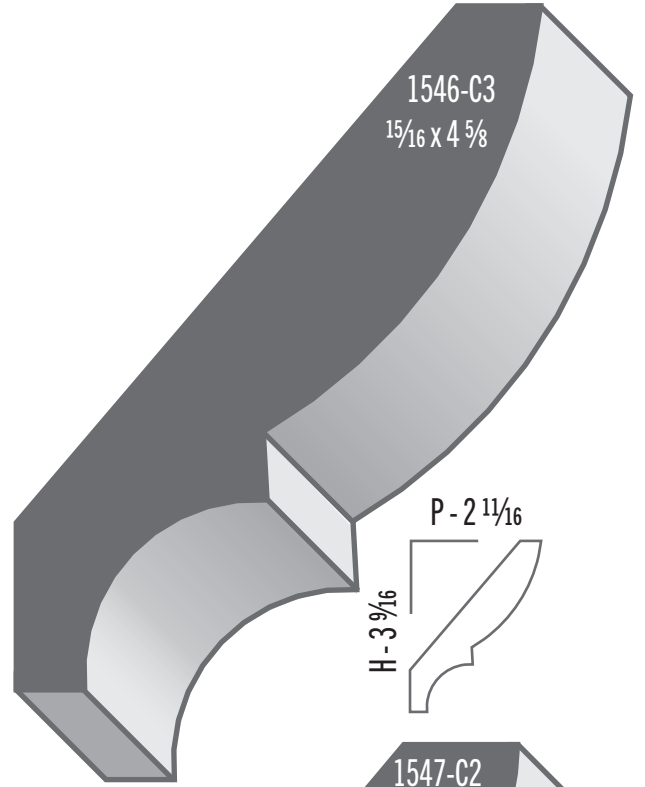
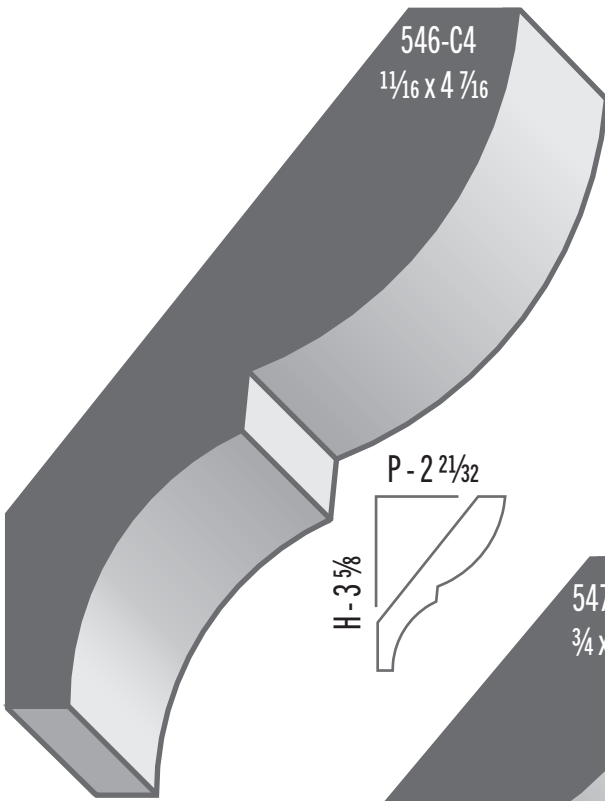
Profile #	Pg #	Profile #	Pg #	Profile #	Pg #	Profile #	Pg #
043-C4 Crown	9	511B-C2 Crown	8	570B-C4 Crown	7	643-C3 Crown	13
132-R2 Picture Rail	35	511-C2 Cove	26	570-C4 Crown	6	644-C2 Crown	14
303-C1* Cove	31	511C-C2 Crown	8	571-C4 Crown	10	645-C3 Crown	14
304-C1 Cove	31	511D-C2 Crown	8	572-C4 Crown	10	646-C4 Crown	9
305-C2* Cove	31	511E-C2 Crown	8	573-C4 Crown	7	647-C4 Crown	27
306-C2* Cove	31	514-C2 Crown	8	574-C4 Crown	6	648-C3 Crown	25
307-C2 Cove	30	515-C2* Crown	8	575-C4 Crown	6	649-C4 Crown	27
308A-C2 Cove	31	519-C2 Crown	8	576-C4 Crown	14	650B-C4 Crown	24
308-C2 Cove	31	521-C3 Crown	8	577-C3 Crown	14	650-C4* Crown	25
309-C1 Crown	5	523-M1* Shingle	8	577-C4 Crown	10	651-C4 Crown	24
309-C2 Bed Mould	5	526-C2 Crown	5	608-C2 Crown	13	652-C2 Shaker Crown	33
310-C1 Bed Mould	5	532-C1 Crown	33	612-C2 Crown	20	652-C4 Crown	24
313-C3* Crown	11	537-C2 Bed Moulding	15	612-C4 Crown	27	653-C4 Cove	32
315b-C2 Crown	12	538-C2 Crown	14	613-C2 Crown	25	654-C4 Crown	24
315-C2* Crown	22	539-C2 Crown	23	614-C2 Crown	23	655-C2 Cove	32
316-C1 Crown	8	540-C2 Cove	26	615-C1 Crown	20	656-C2 Cove	32
317-C2 Crown	22	540-C4 Crown	19	615-C2 Crown	20	657-C2 Crown	25
318-C2 Bed Mould	4	541-C4* Cove/Crown	26	616-C4 Crown	23	658-C3 Cove Crown	25
319-C2 Crown	12	542B-C4 Crown	21	617-C2 Crown	20	712-C3* Crown	17
321-C2 Bed Mould	5	542-C3 Crown	21	618-C2 Crown	20	713-C3 Crown	17
350B-C1 Crown	13	544-C3 Crown	18	619-C3 Crown	19	713-C4 Crown	17
350-C1* Crown	13	544-C4 Crown	18	629-C3 Crown	15	716-C4 Crown	15
353-R2 Cove Crown	32	545-C3 Crown	15	631-C2 Crown	17	717-C4 Crown	18
354-C2* Crown	13	546-C2 Crown	22	632B-C2 Crown	20	718-C3 Crown	19
355-C2 Crown	13	546-C4 Bed Moulding	4	632-C2 Crown	20	719-C4 Crown	18
370B-C2 Crown	22	547B-C2 Bed Moulding	4	633-C4 Crown	16	933-M2 Crown	13
370-C2 Crown	22	547-C2 Bed Mould	4	634-C3 Crown	15	1000-R2 Picture Rail	36
505-R2* Picture Rail	35	548-C2 Crown	22	635-C2 Crown	20	1001-R2 Picture Rail	35
506B-C2 Crown	33	549-C2 Crown	22	636-C2 Crown	20	1002-R2 Picture Rail	34
506-C2* Shaker Cove	33	550-C4* Cove	29	638B-C3 Crown	16	1003 R2 Picture Rail	35
506C-C2 Shaker Cove	33	551-C2 Crown	22	638-C3 Crown	16	1004-R2 Picture Rail	35
506D-C2 Crown	33	552-C4 Cove	28	639-C3 Crown	12	1006B-R1 Picture Rail	36
507-C2 Crown	33	553-C4 Cove	29	640-C2 Crown	27	1006-R1 Picture Rail	36
508-C3* Shaker Cove	33	554-C4 cove	28	641-C2 Crown	25	1007-R1 Picture Rail	36
509-C2 Cove	32	556-C4 Cove	29	642-C2 Crown	23	1008-R1 Picture Rail	36
510-C2 Cove	26	558-C4 Cove Crown	30	643-C2 Crown	14	1009-R1 Picture Rail	36

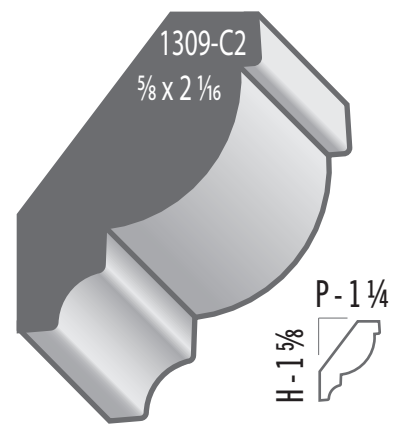
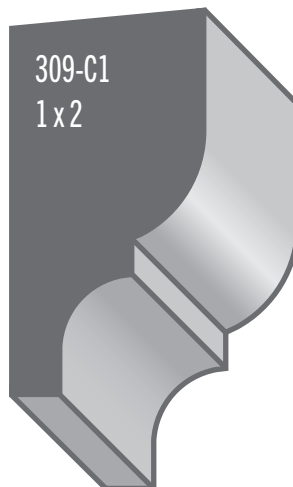
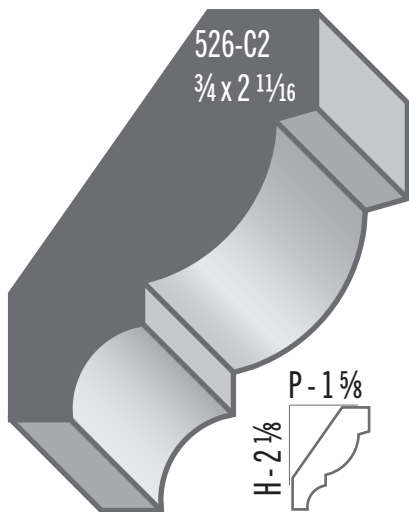
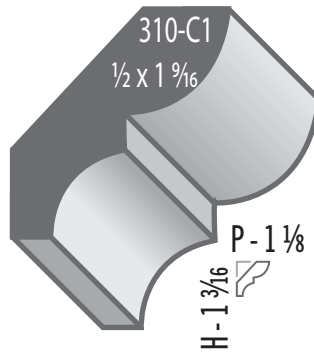
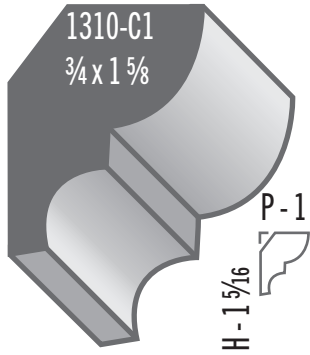
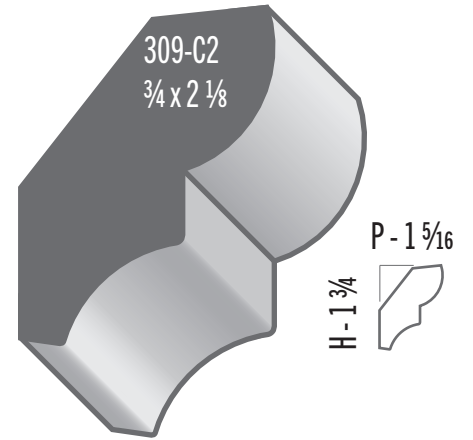
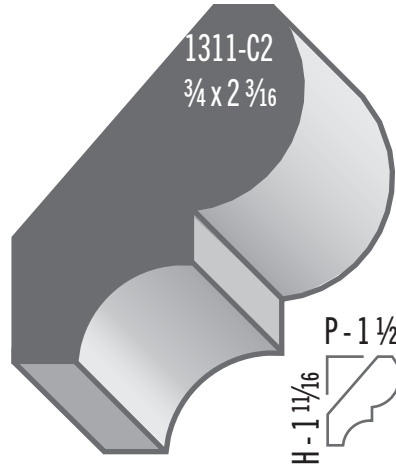
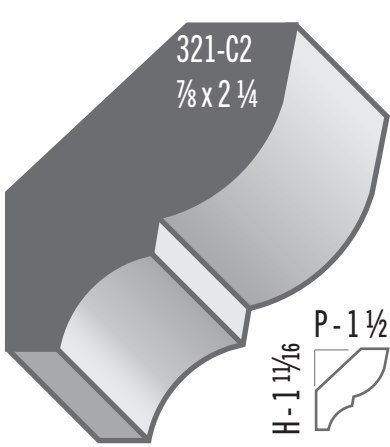


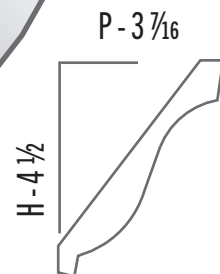
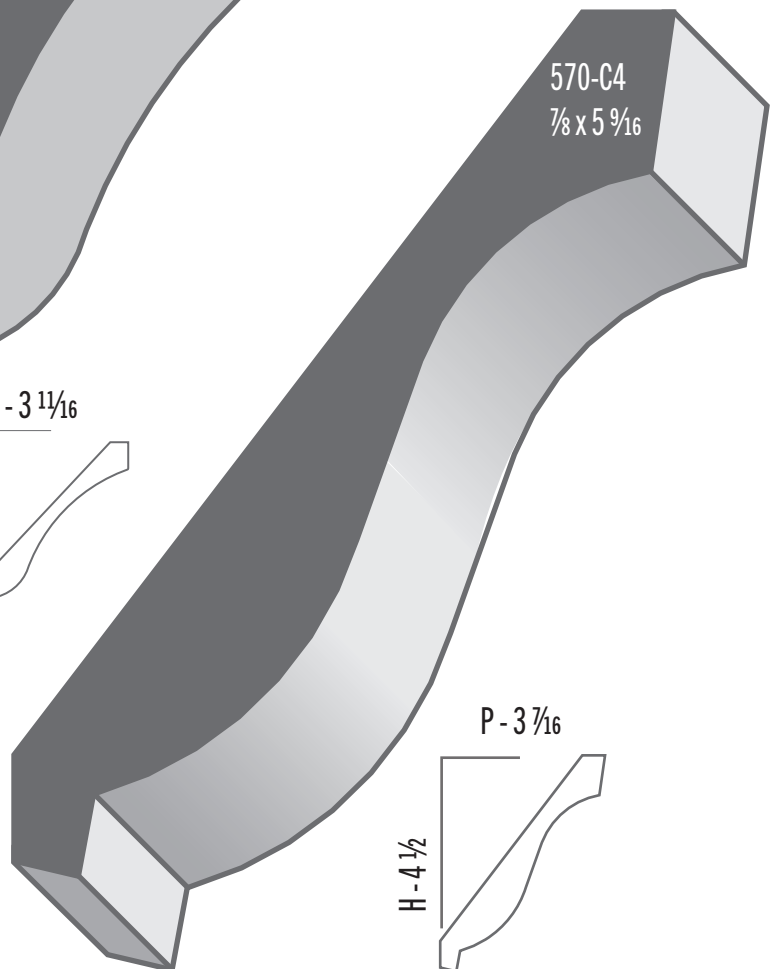
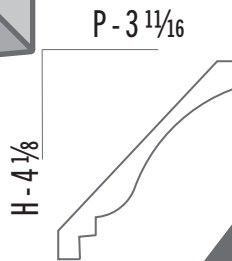
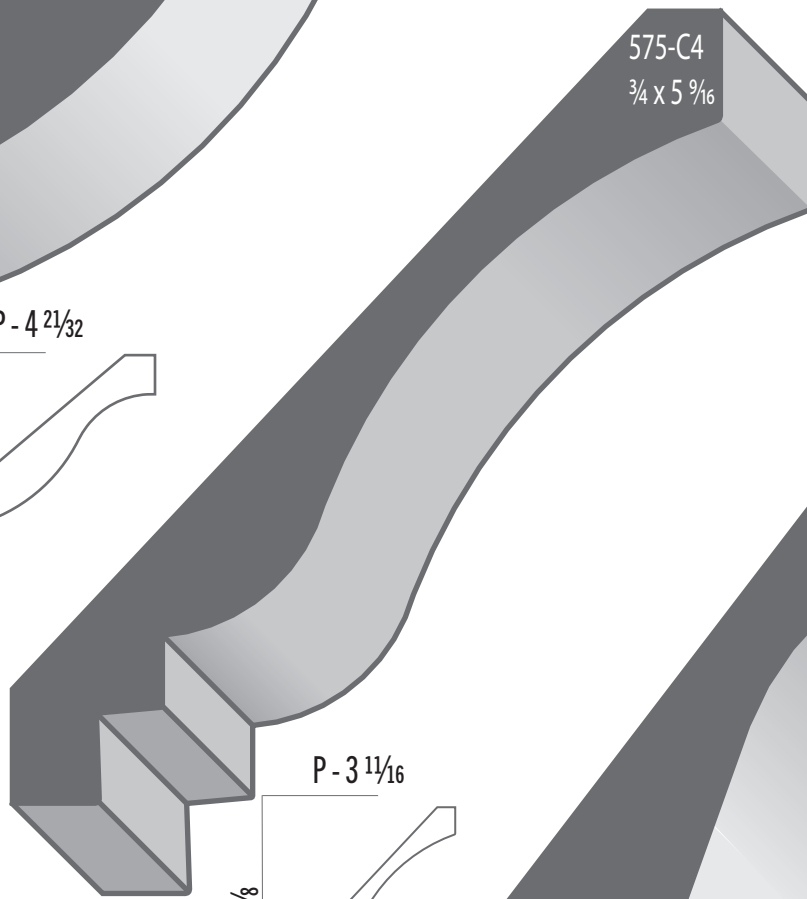
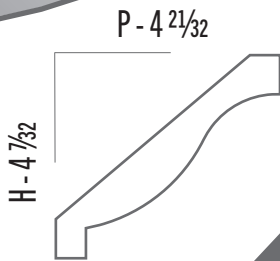
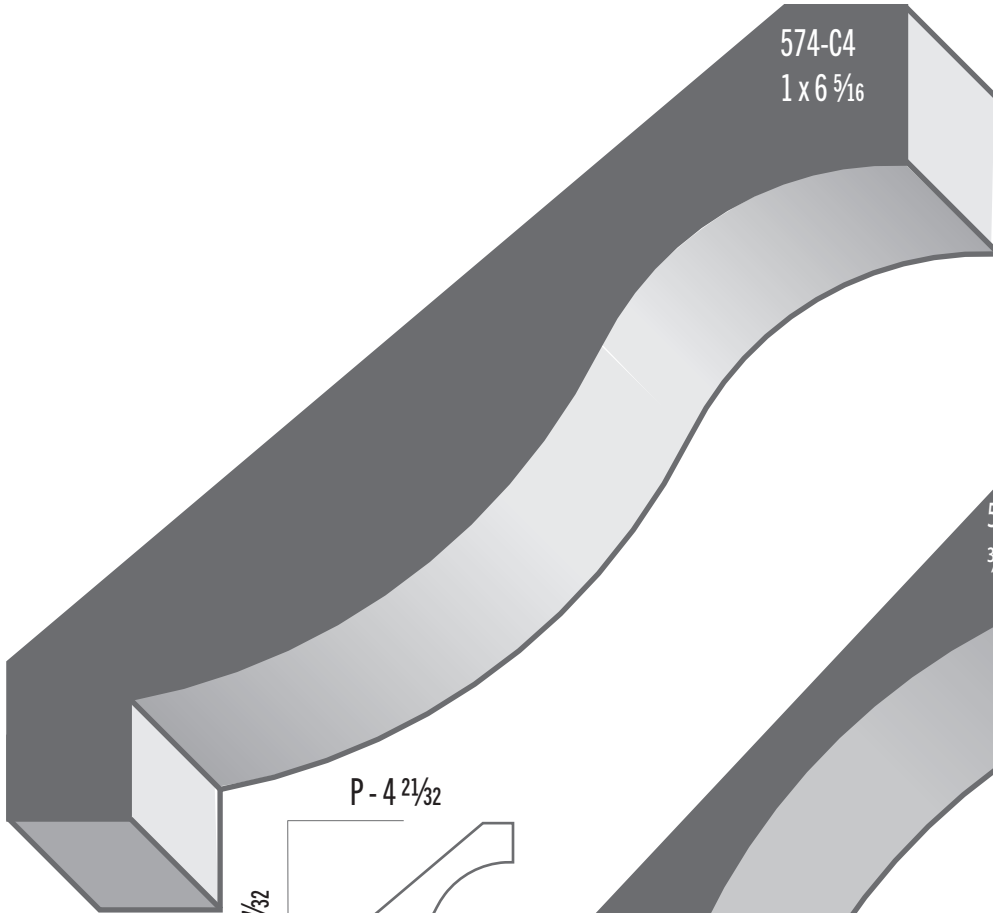
Profile #	Pg #	Profile #	Pg #	Profile #	Pg #	Profile #	Pg #
1010-R1*	Picture Rail	36	1508-C3	Shaker Cove	33		
1011-R1	Picture Rail	36	1510B-C2	Picture Rail	34		
1012-R2*	Picture Rail	34	1511B-C2	Crown/Corbel	26		
1013-R2*	Picture Rail	34	1516-P1	Picture Rail	36		
1014B-R1	Picture Rail	35	1517-P1	Shingle	8		
1014-R1	Picture Rail	35	1546-C3	Bed Mould	4		
1015-R2	Picture Rail	35	1547-C2	Bed Mould	4		
1017-R2	Picture Rail	34	1548-C3	Crown	21		
1018-R2	Picture Rail	34	1549-C4	Crown	21		
1019-R1	Picture Rail	36	1550-C3	Cove Crown	30		
1020-R2	Picture Rail	34	1608-C2	Crown	13		
1040-R2	Picture Rail	35	1609-C2	Crown	13		
1041-R2	Picture Rail	35	1610-C2	Crown	12		
1042-R2	Picture Rail	34	1611-C2	Crown	23		
1043-R2	Picture Rail	34	1611-C3	Crown	23		
1044-R2	Picture Rail	34	1612-C2	Cove	32		
1045-R2	Picture Rail	34	1613-C2	Cove/ Crown	26		
1046-R2	Picture Rail	35	1638-C3	Crown	16		
1047-R2	Picture Rail	34	1639-C4	Crown	11		
1048-R2	Picture Rail	34	1640-C2	Crown	17		
1049-R2	Picture Rail	35	1641-C2	Crown	18		
1053-R2	Picture Rail	34	1704-R2	Picture Rail	35		
1144-R2	Picture Rail	34	1712-C3	Crown	19		
1191-R2	Picture Rail	35	1713-C4	Crown	16		
1192-R2	Picture Rail	35	1714-C3	Crown	19		
1301-C2	Cove Crown	31	1716-C3	Crown	19		
1302-C1	Cove	31	2312-C2	Crown	12		
1304-C1	Cove	31					
1305-C2	cove	31					
1306-C2	Cove	31					
1307-C2	Cove	30					
1308-C3	Cove	30					
1309-C2	Crown	5					
1310-C1	Crown	5					
1311-C2	Bed Mould	5					
1312-C2	Crown	12					
1313-C2	Crown	12					
1314-C4	Crown	11					
1315-C2	Crown	12					
1316-C3	Crown	11					
1317-C3	Crown	11					
1319-C2	Cove	26					
1350-C1	Crown	22					
1351-C1	Crown	13					
1352B-C2	Crown	15					
1352-C2	Crown	15					
1353-C3	Cove	32					

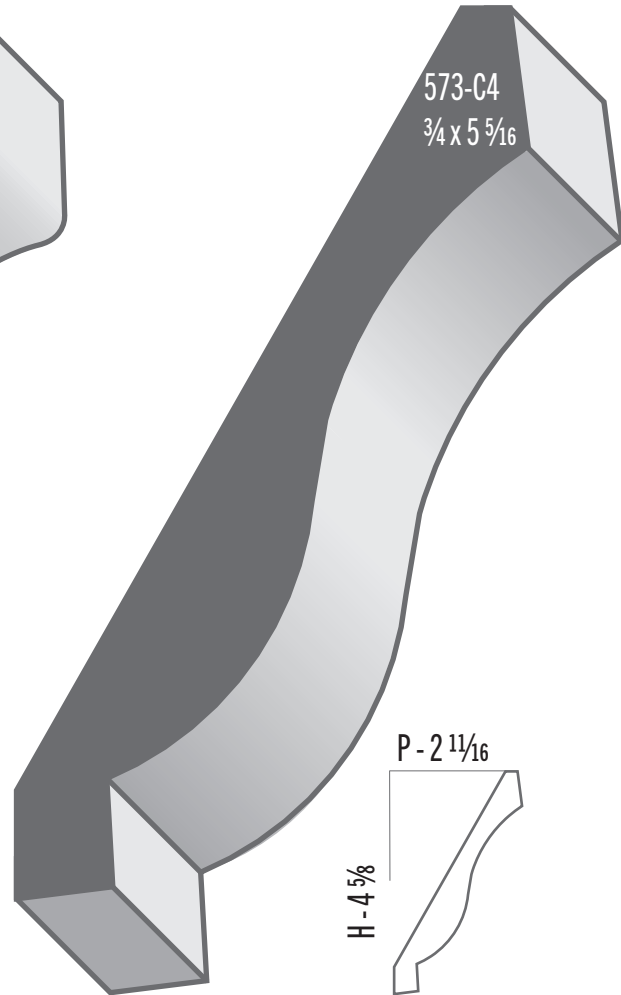
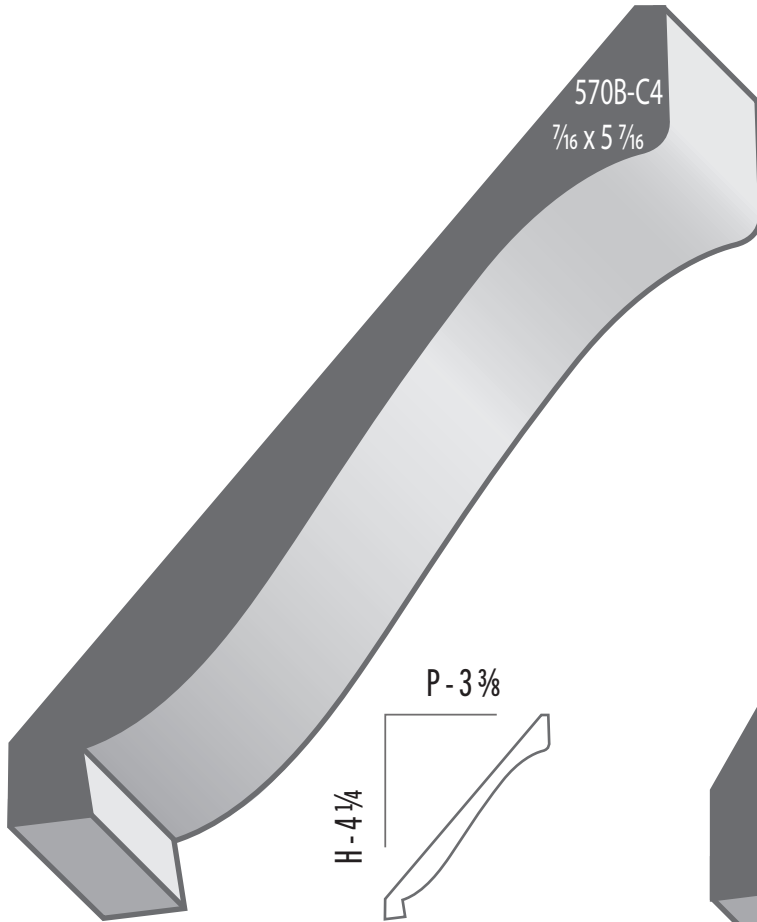
**S**

SNW-1010 Picture Rail 36











523-M1\*  
3/4 x 2 this  
may also  
be made  
extened;  
ask the  
shop

1517-P1  
1 3/16 x 1 3/8

521-C3  
3/4 x 4 5/8

515-C2\*  
3/4 x 3 11/16

514-C2  
1 3/16 x 2 1/4

519-C2  
3/4 x 3 3/16

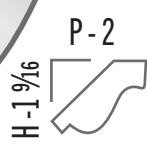
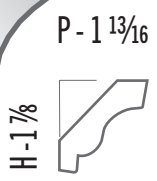
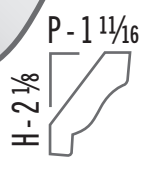
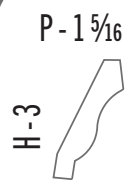
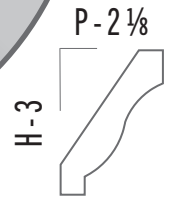
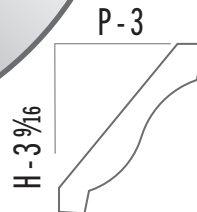
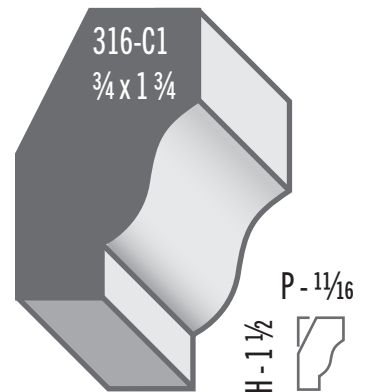
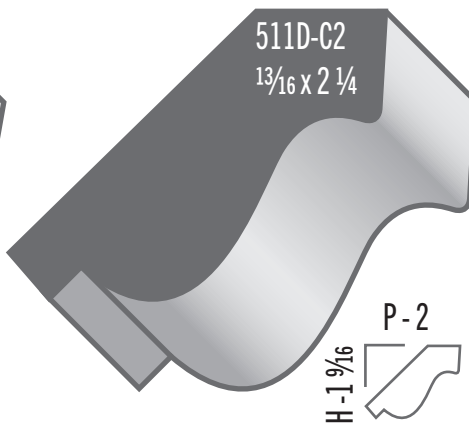
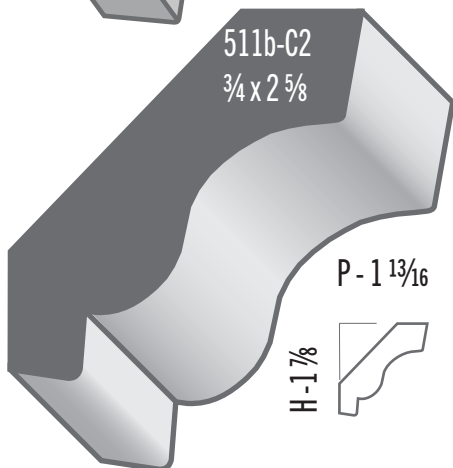
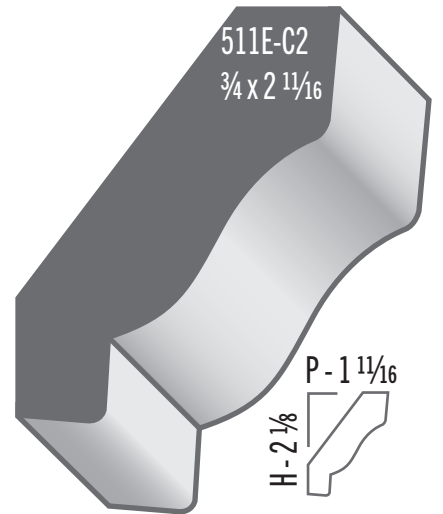
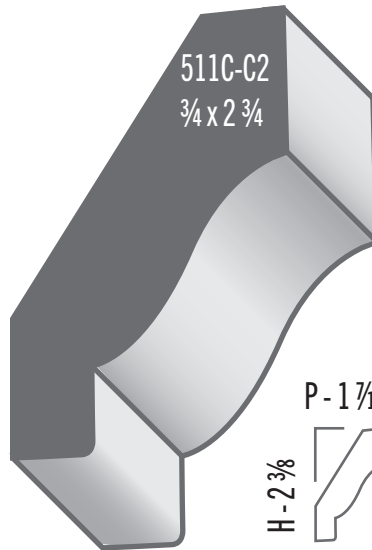
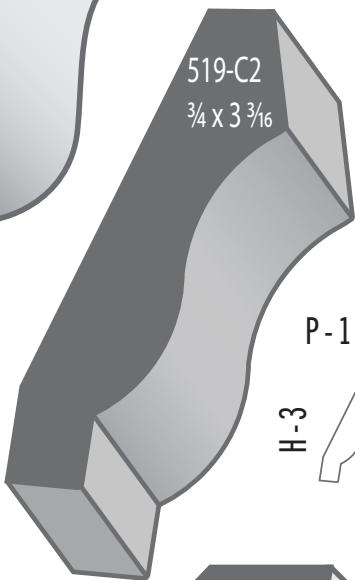
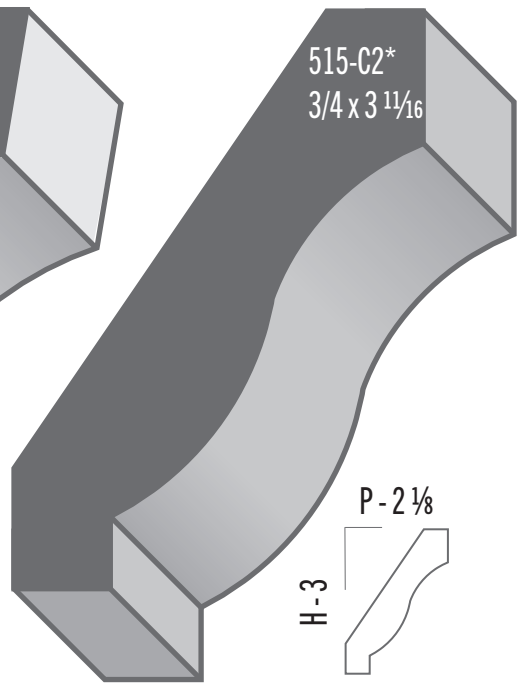
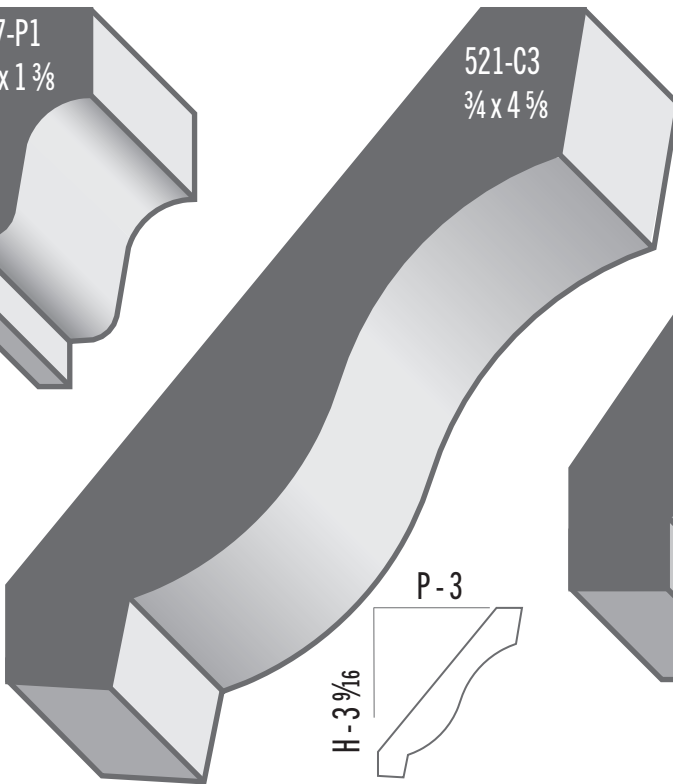
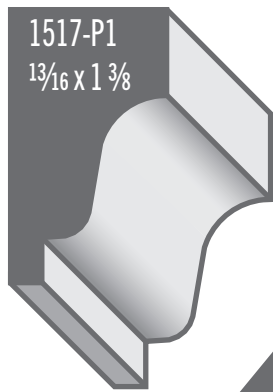
511C-C2  
3/4 x 2 3/4

511E-C2  
3/4 x 2 11/16

511b-C2  
3/4 x 2 5/8

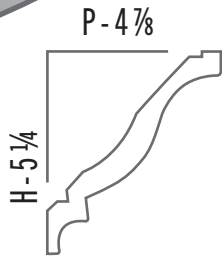
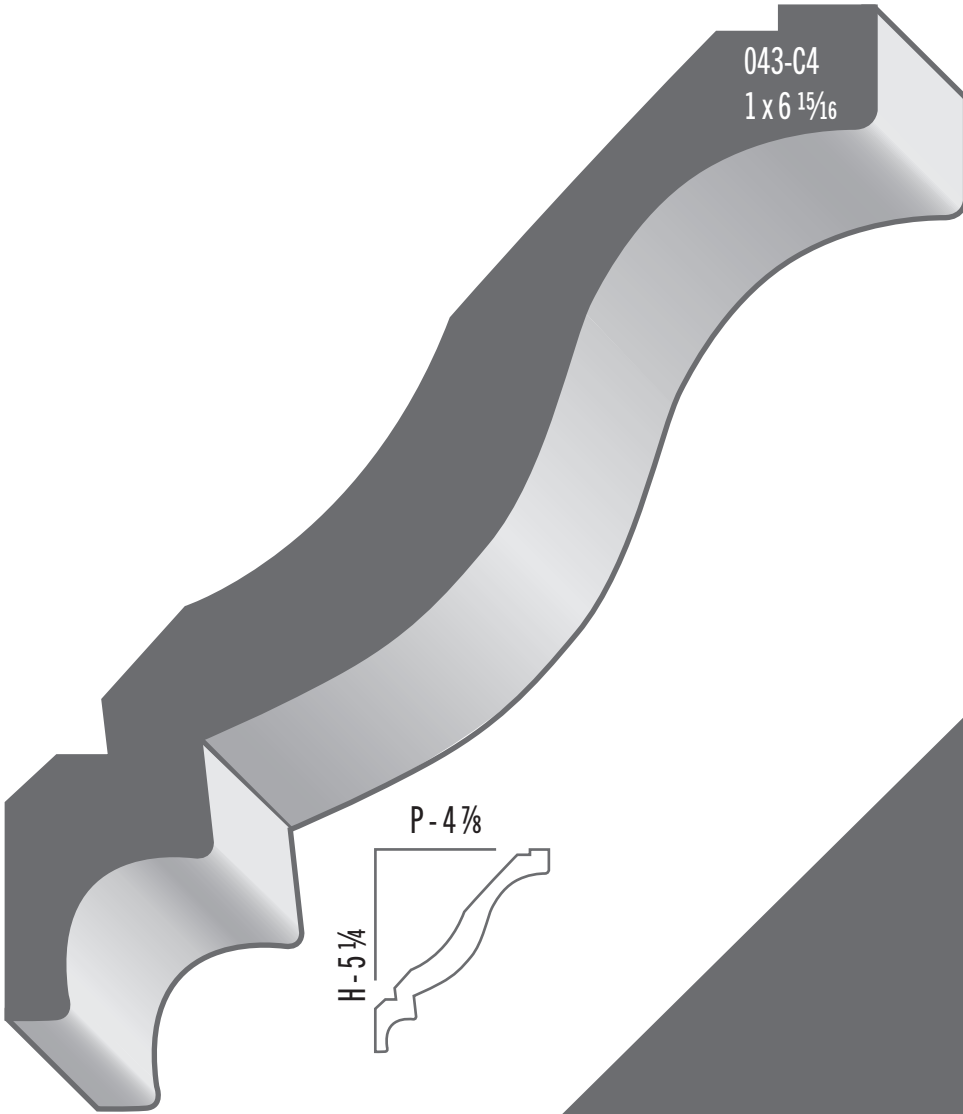
511D-C2  
1 3/16 x 2 1/4

316-C1  
3/4 x 1 3/4

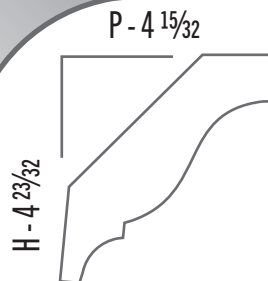
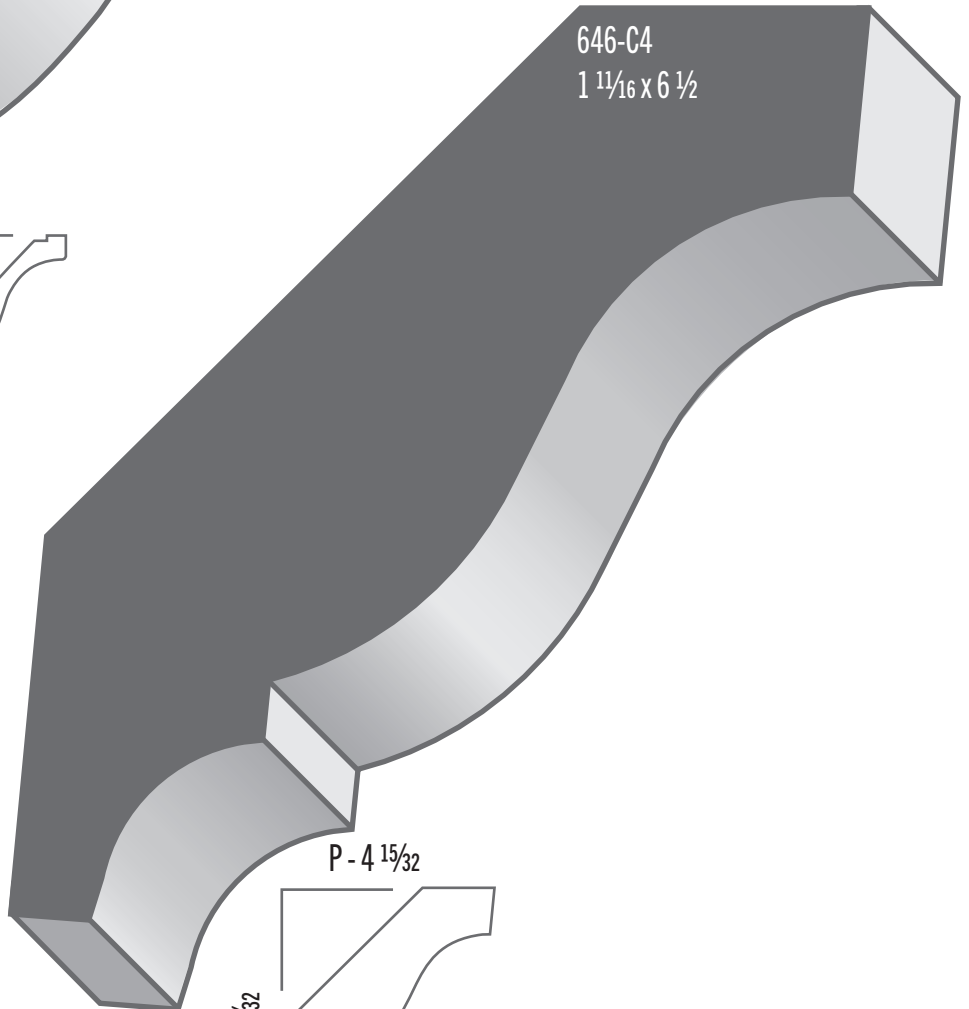




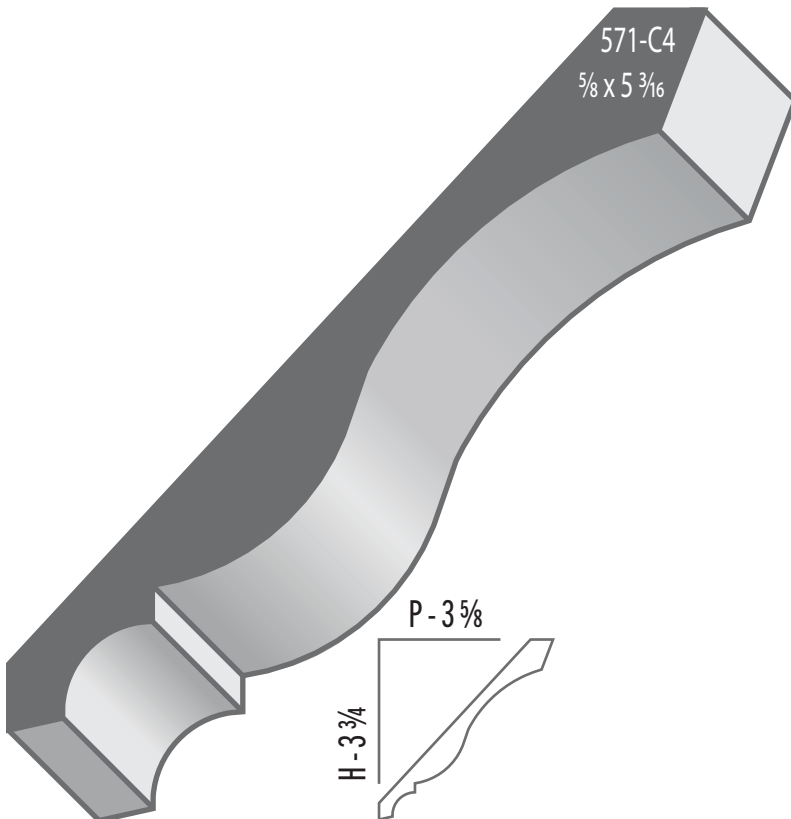
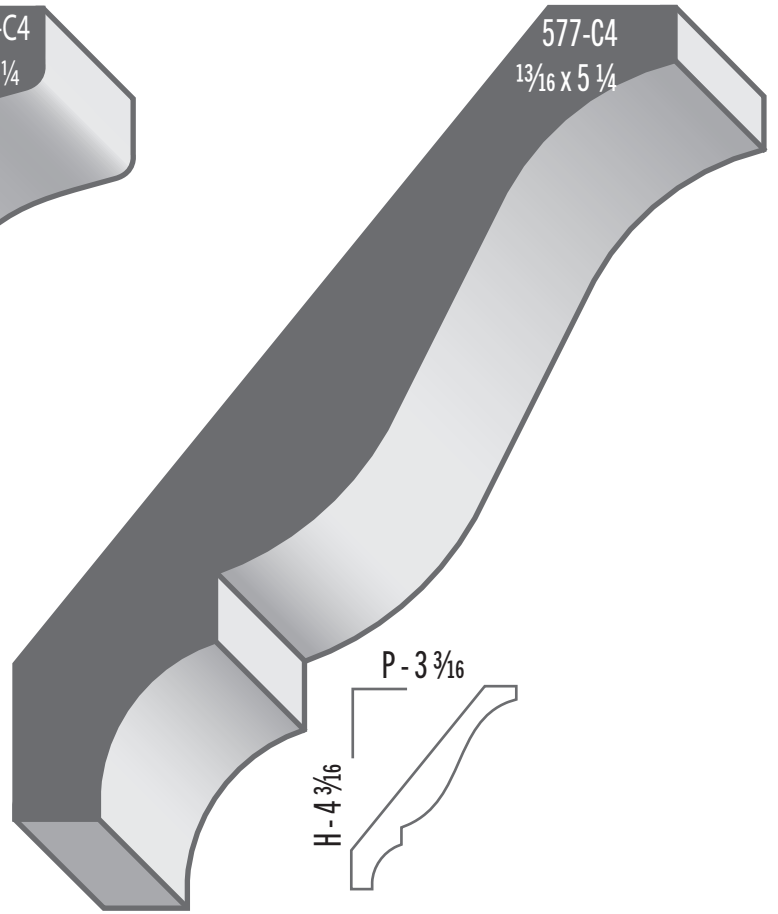
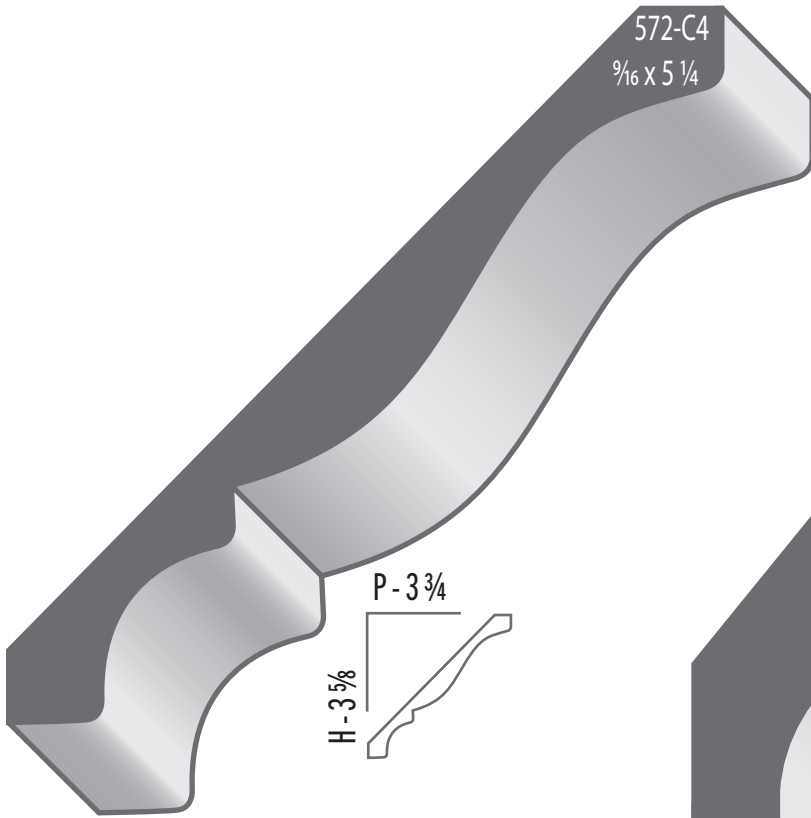
043-C4  
1 x 6 <sup>15</sup>/<sub>16</sub>

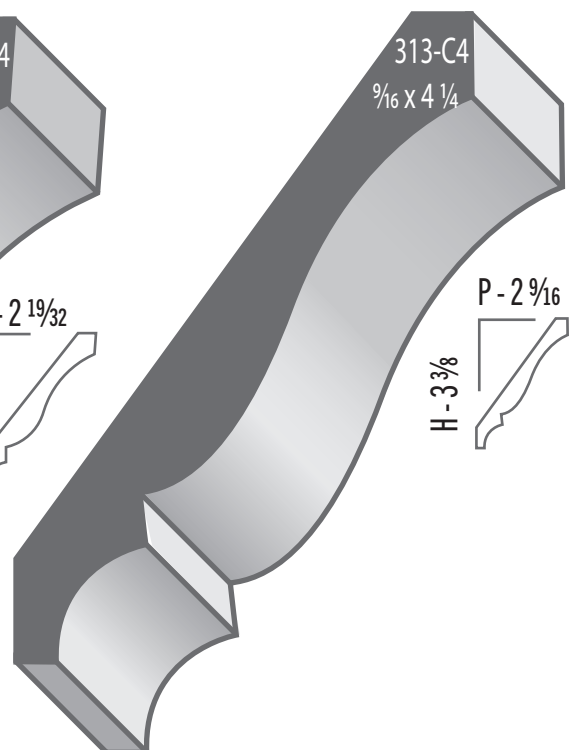
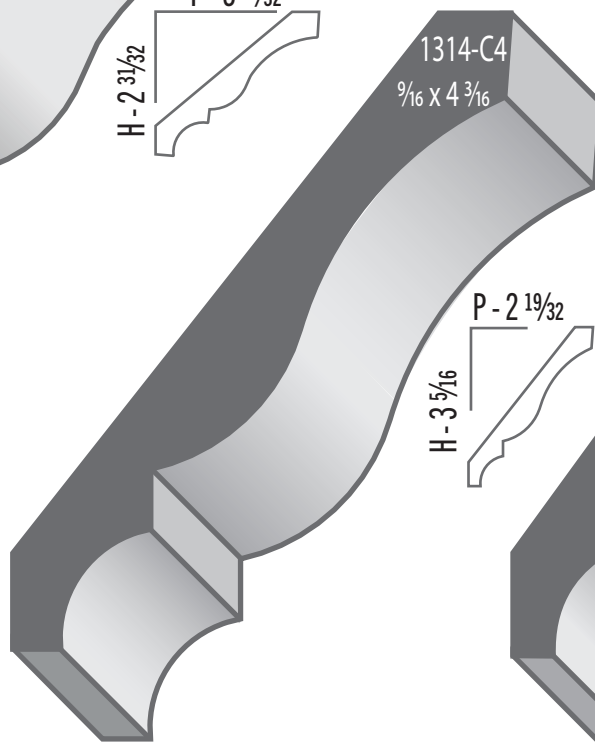
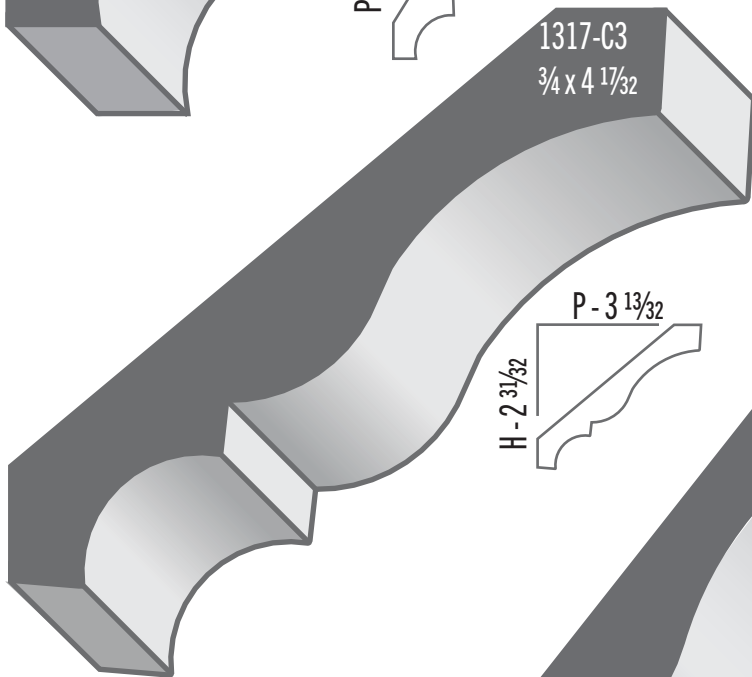
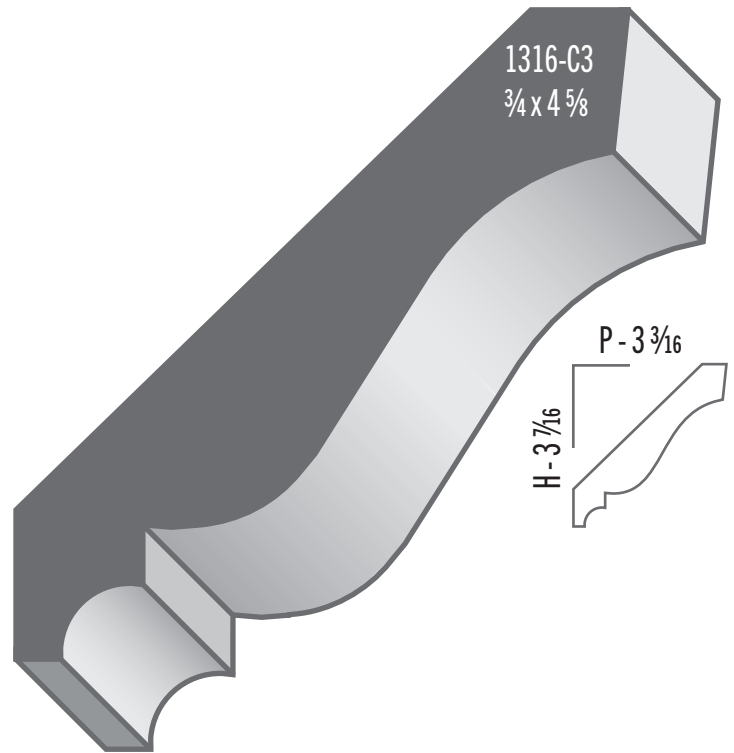
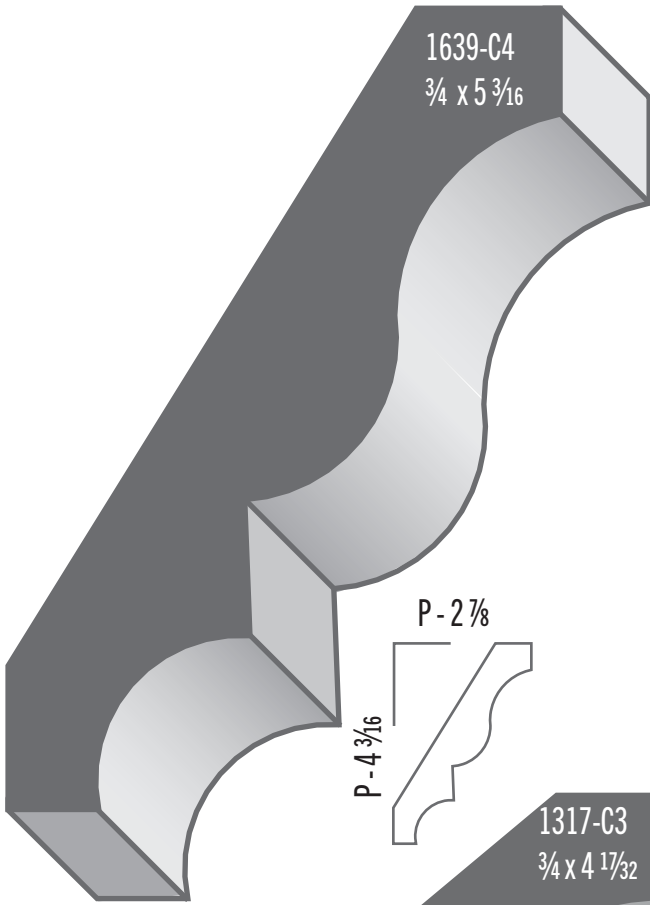


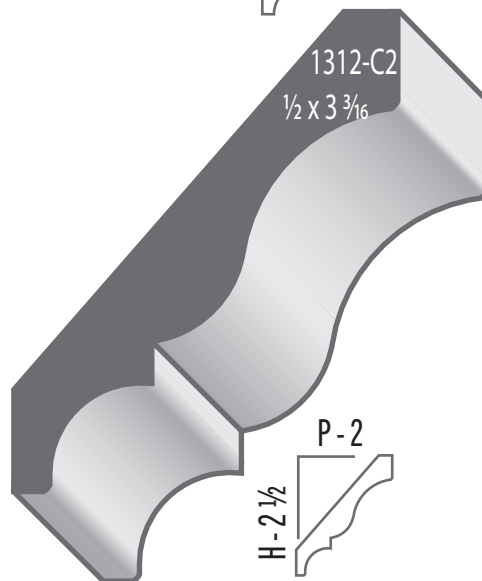
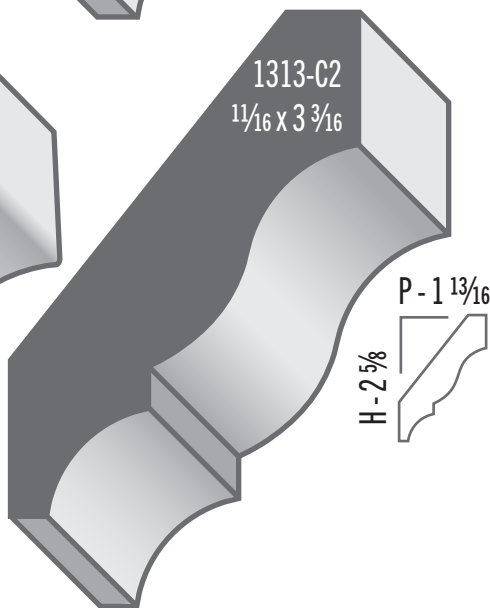
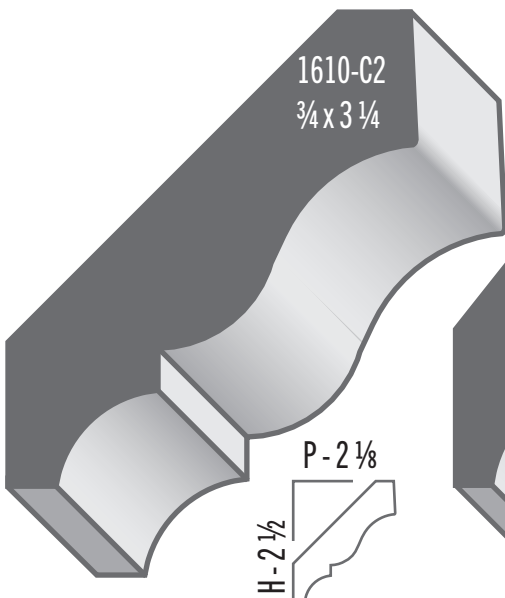
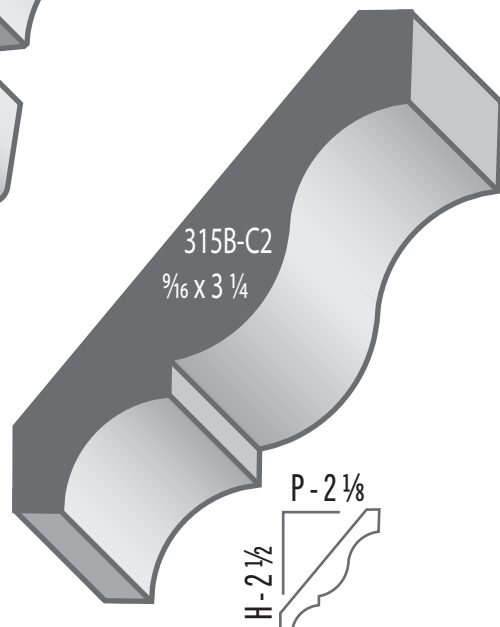
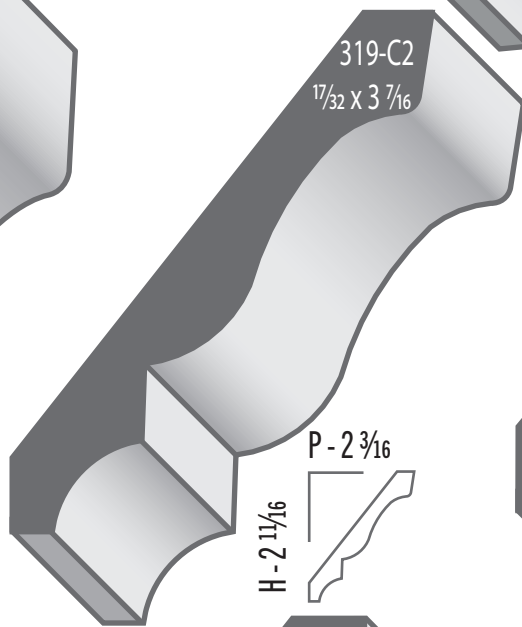
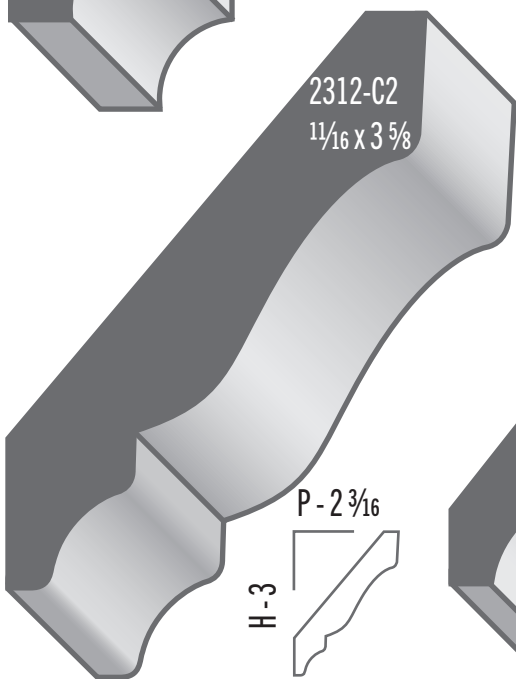
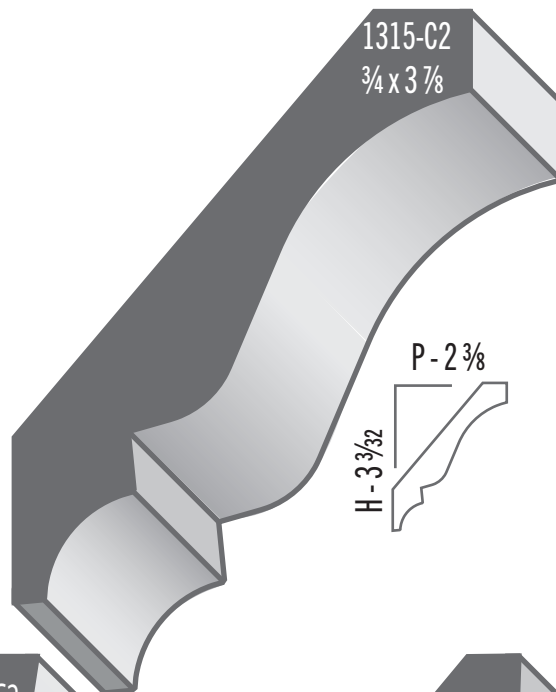
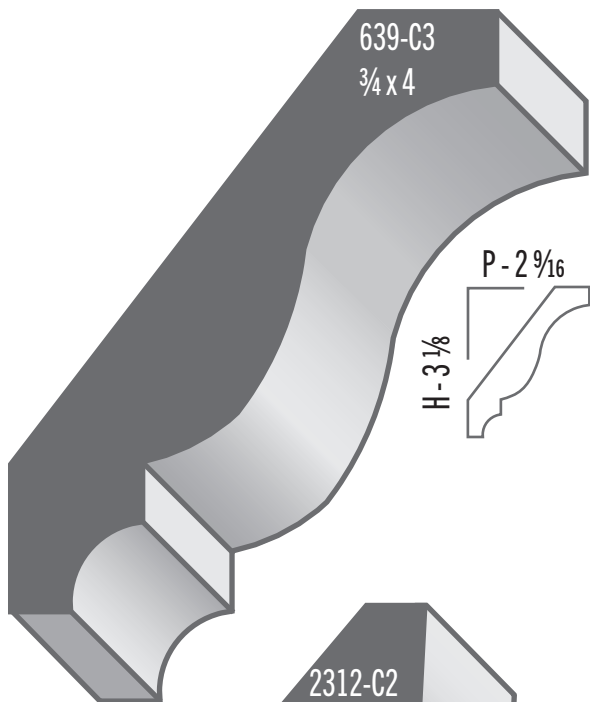
646-C4  
1 <sup>11</sup>/<sub>16</sub> x 6 <sup>1</sup>/<sub>2</sub>

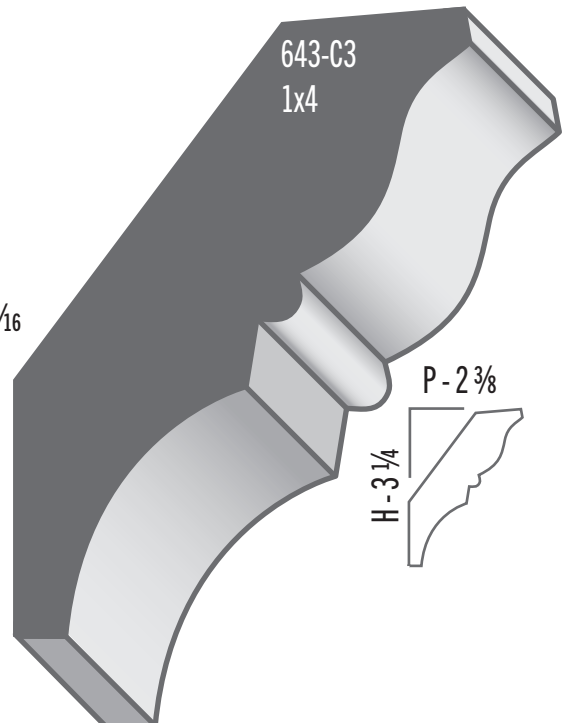
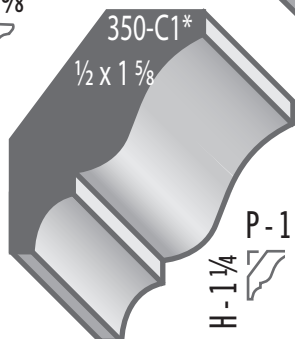
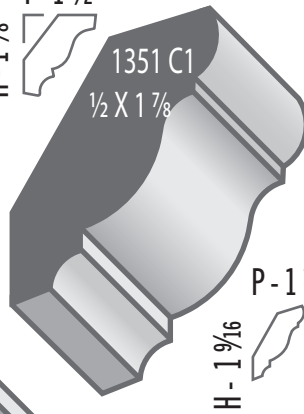
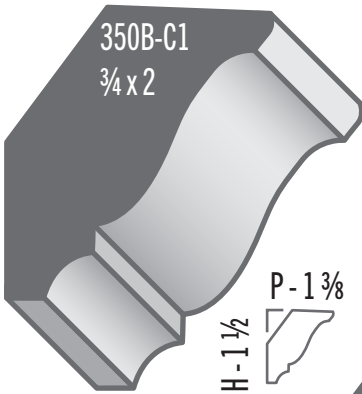
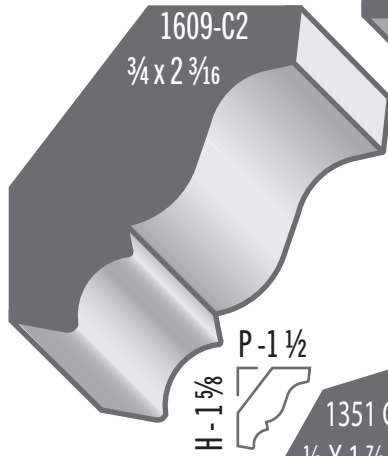
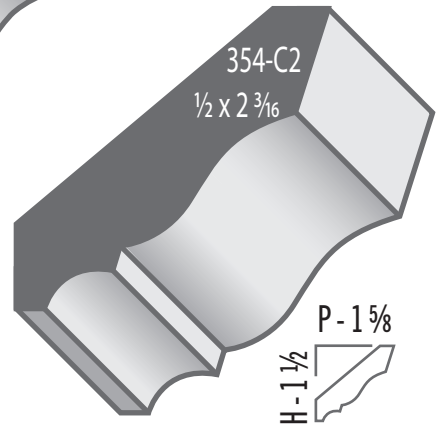
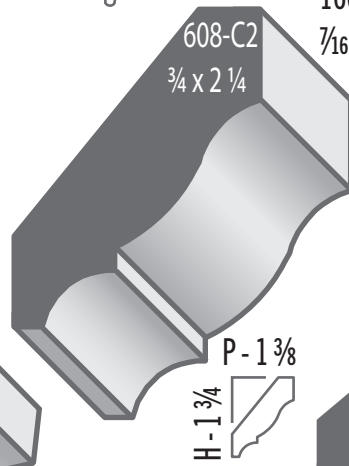
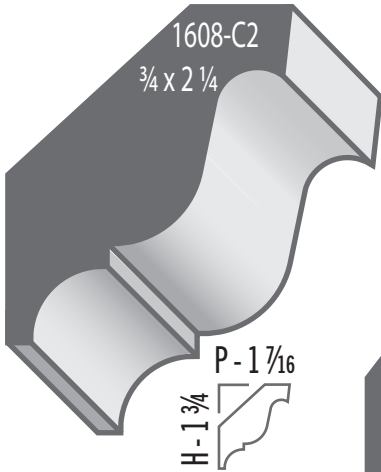
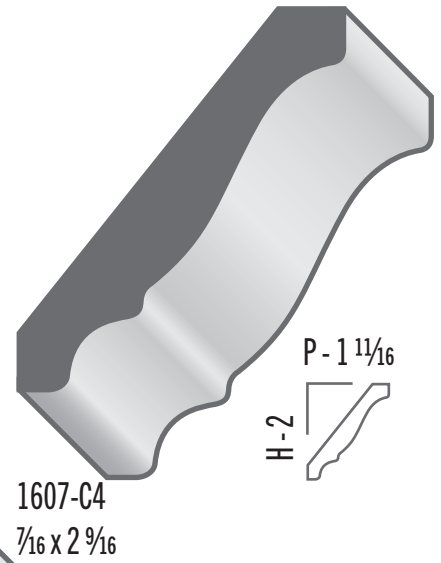
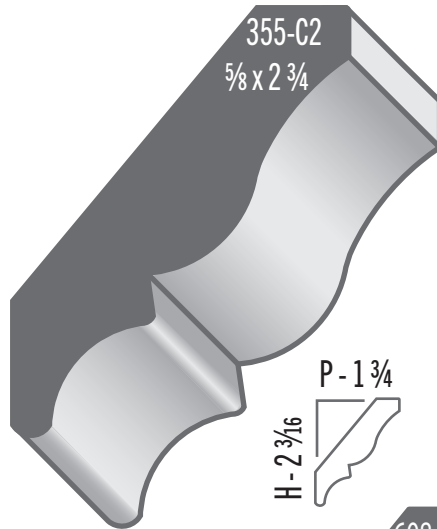
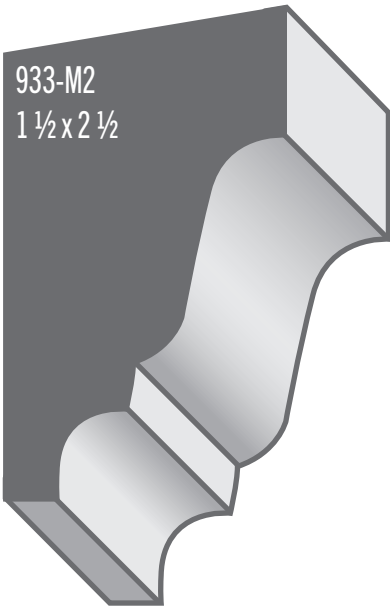


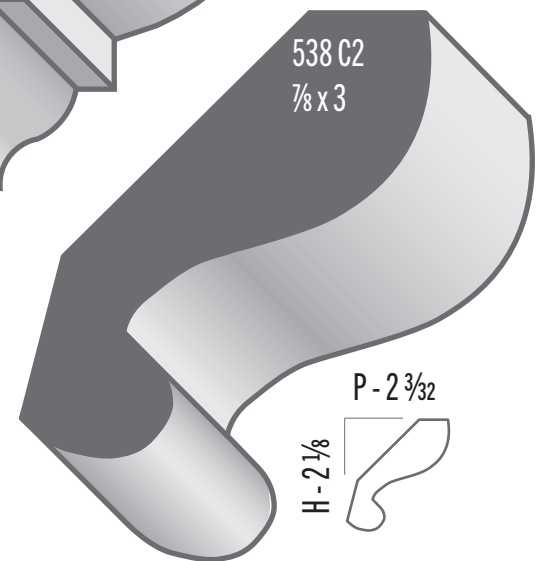
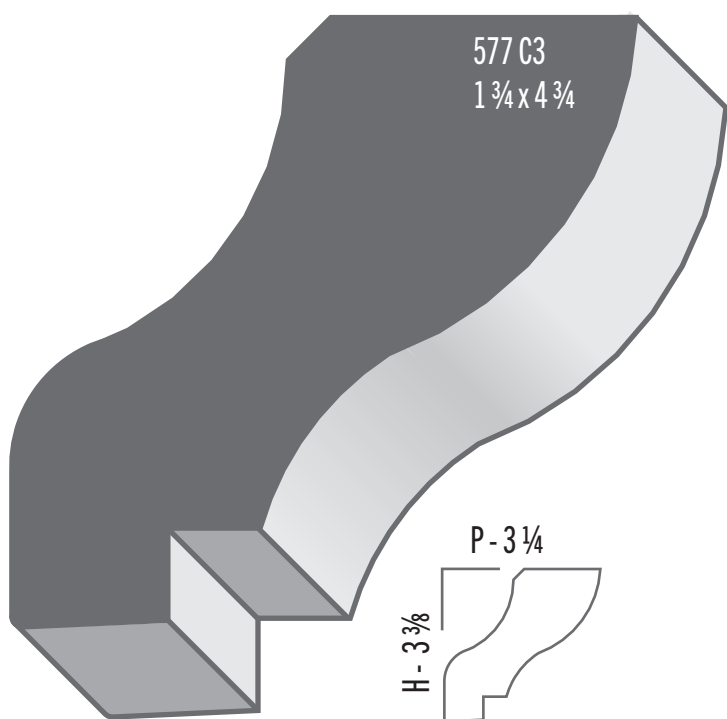
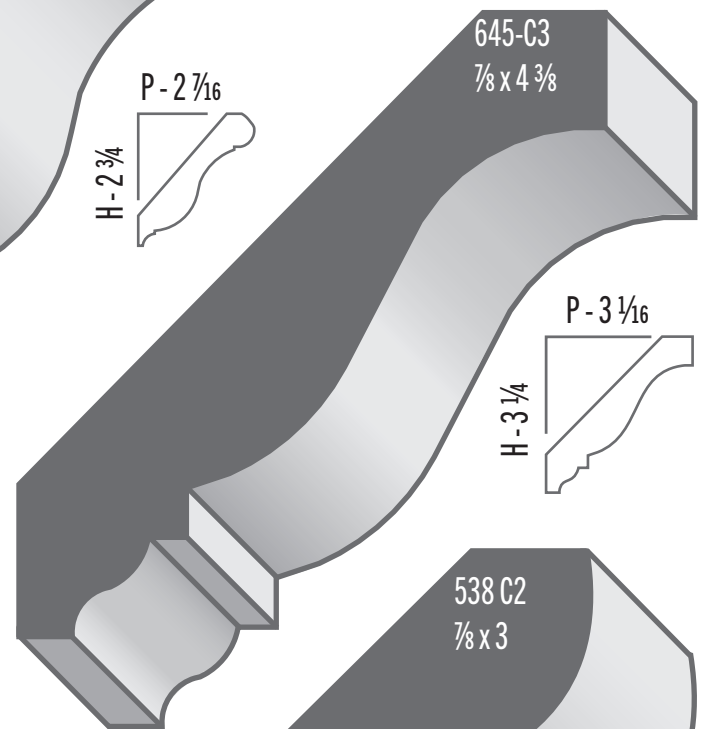
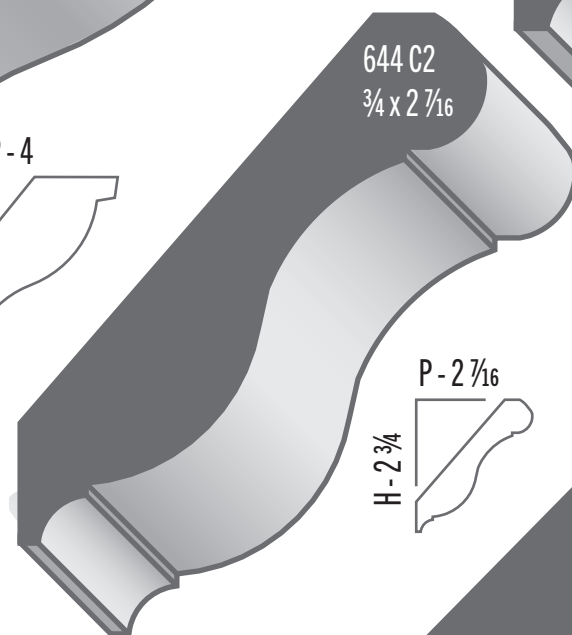
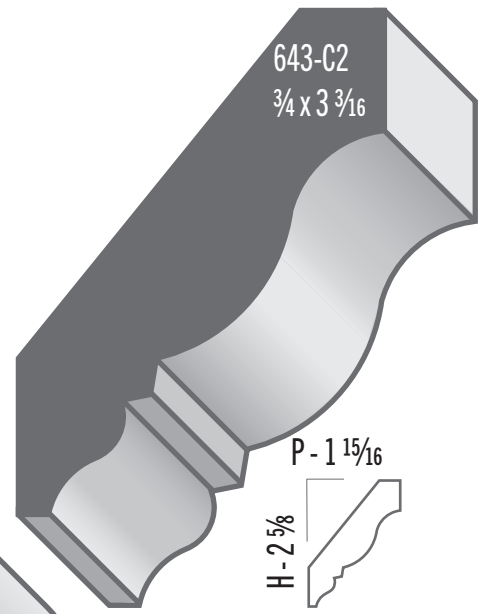
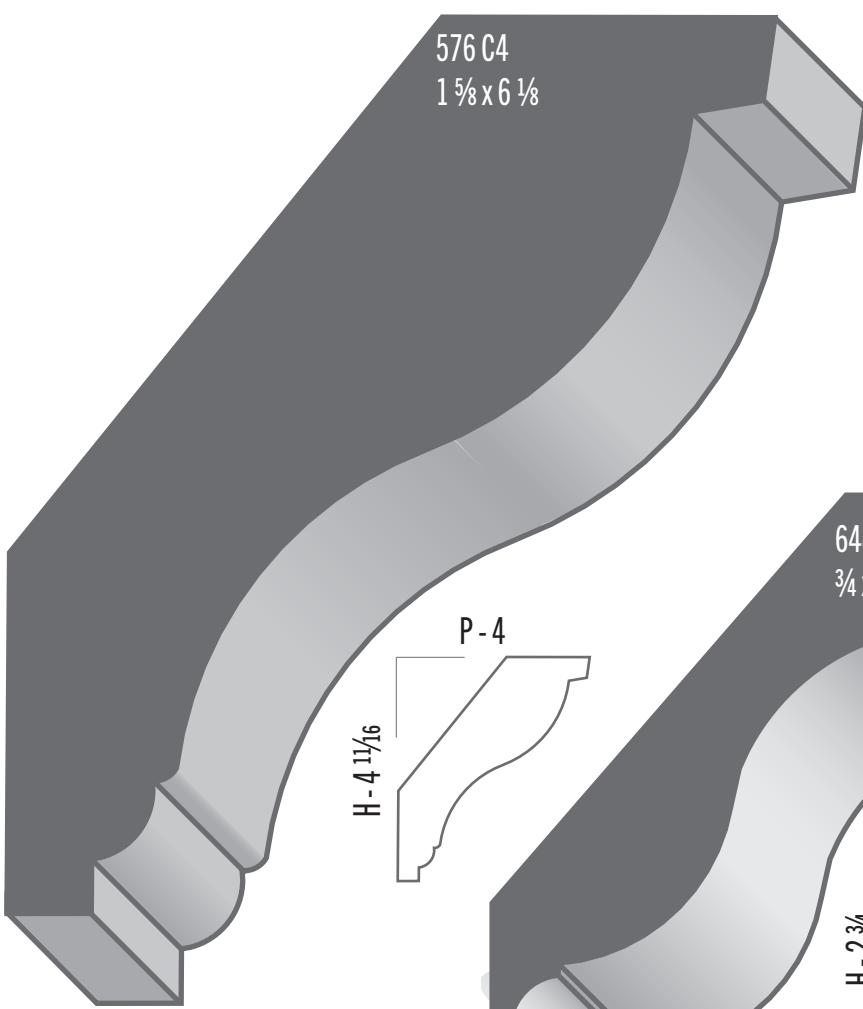


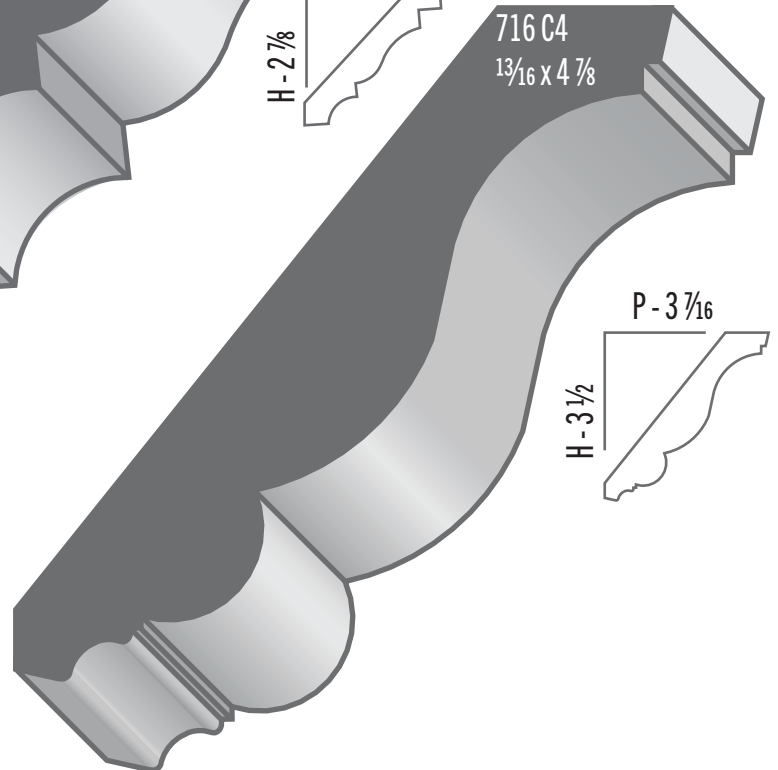
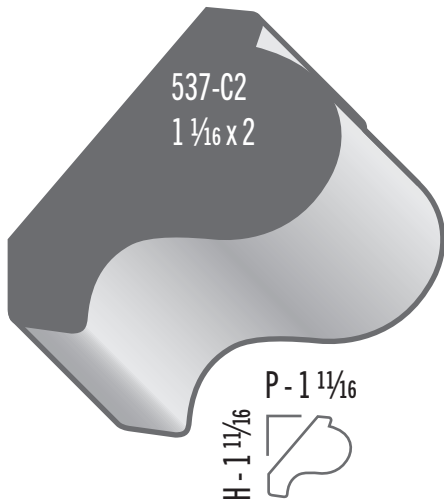
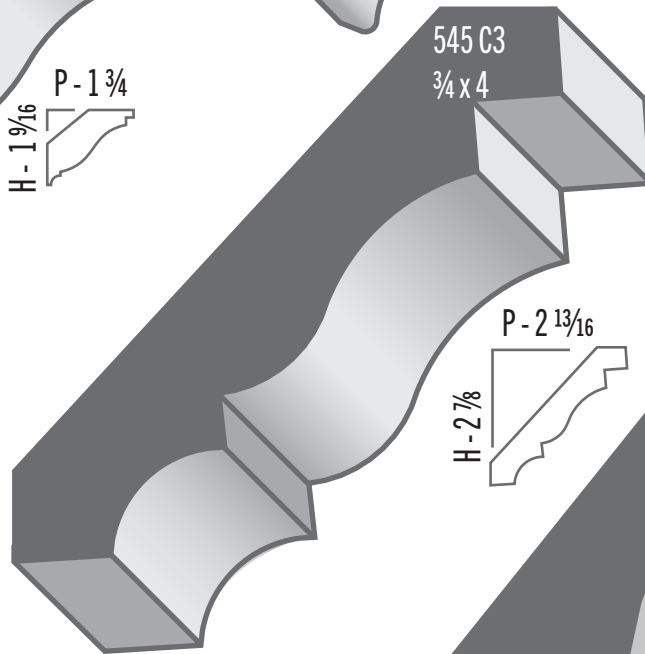
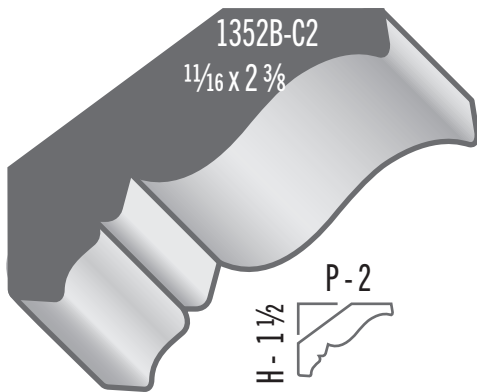
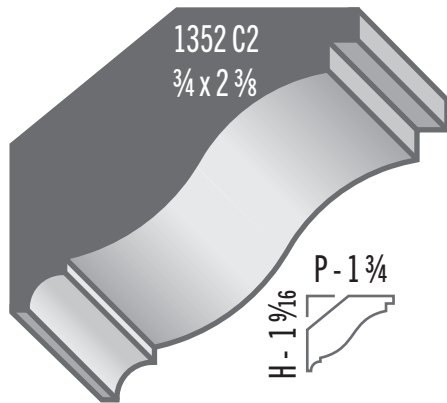
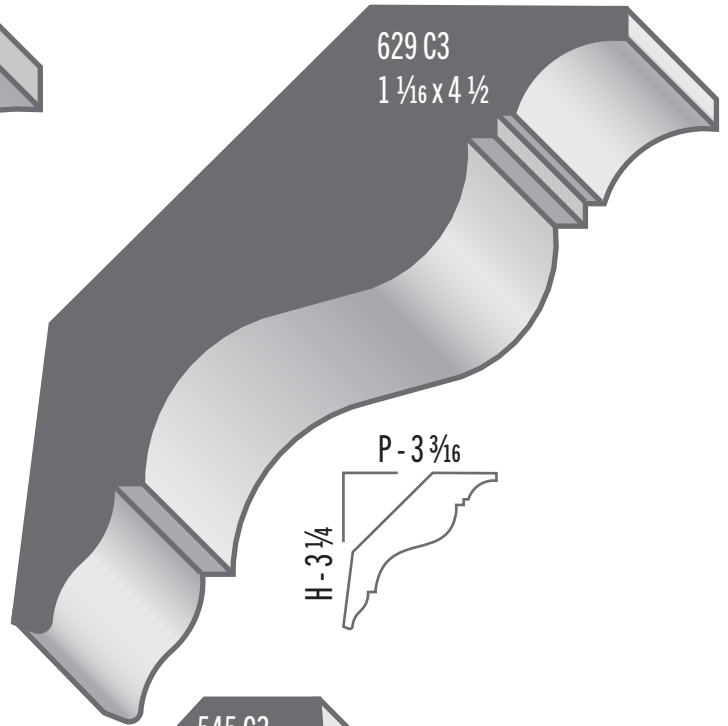
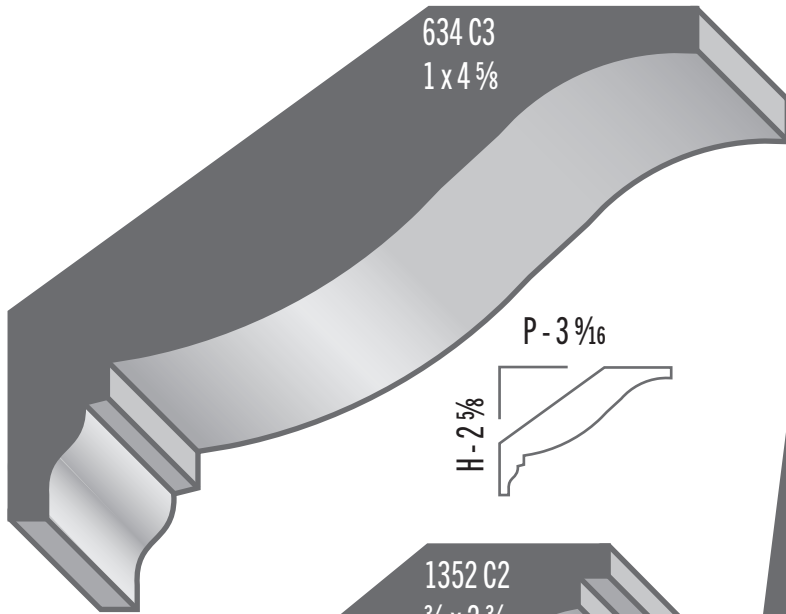


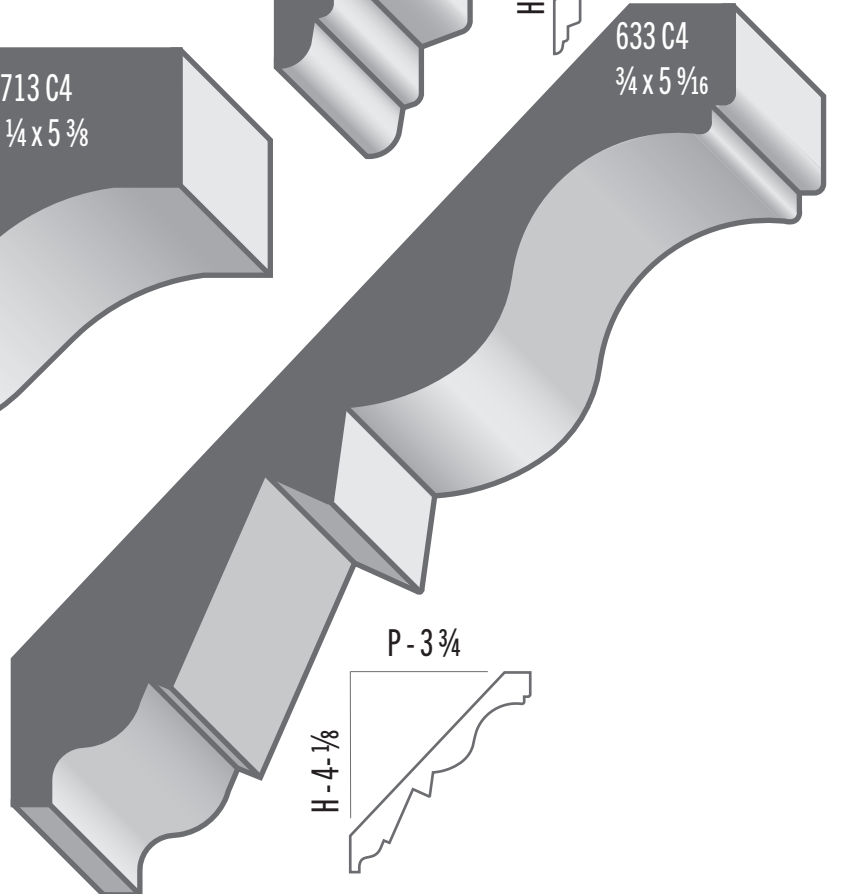
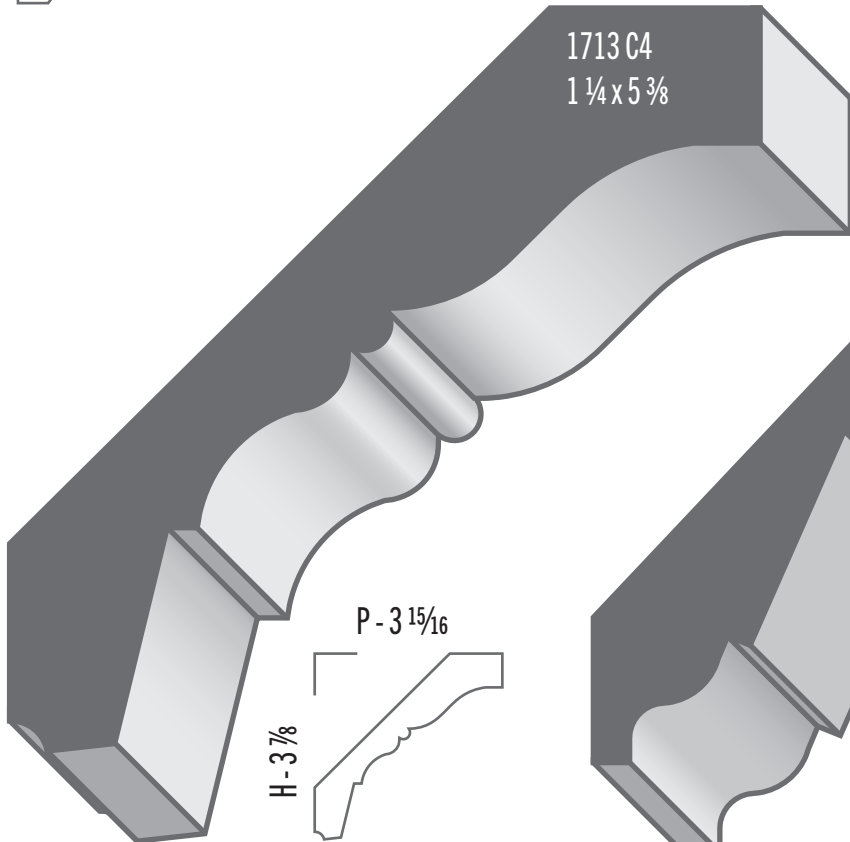
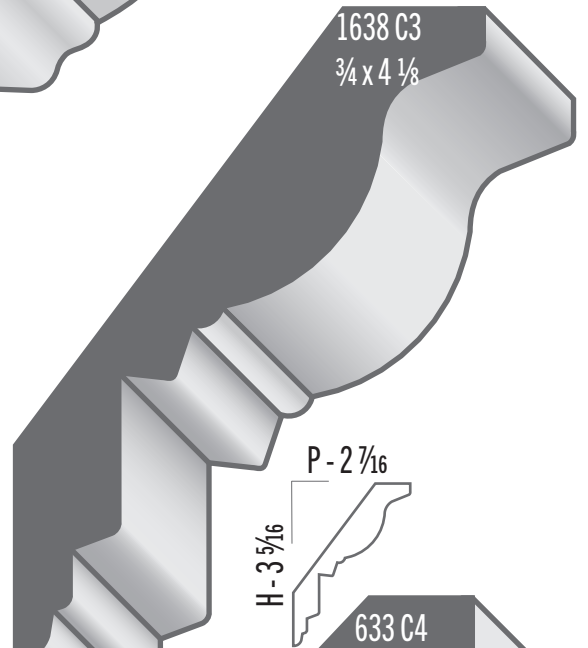
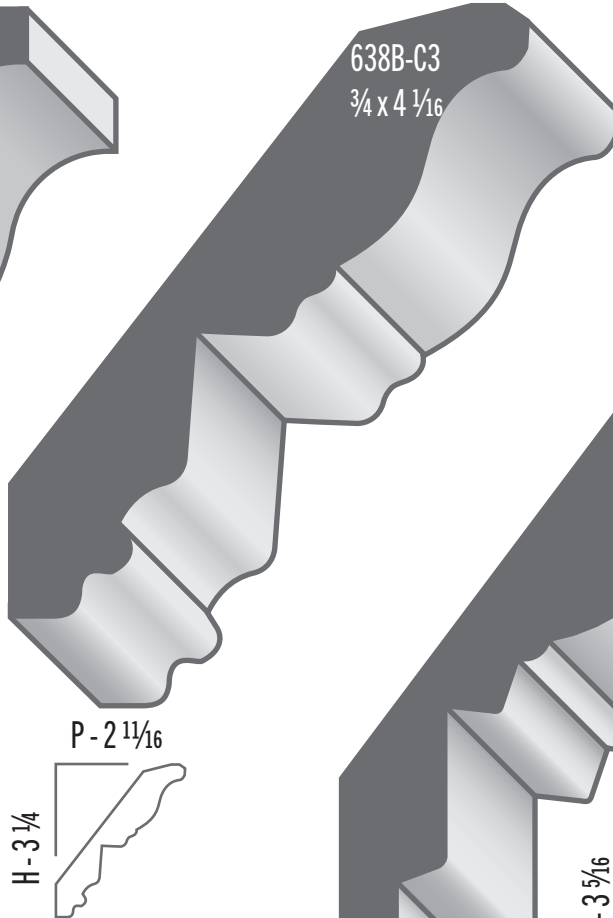
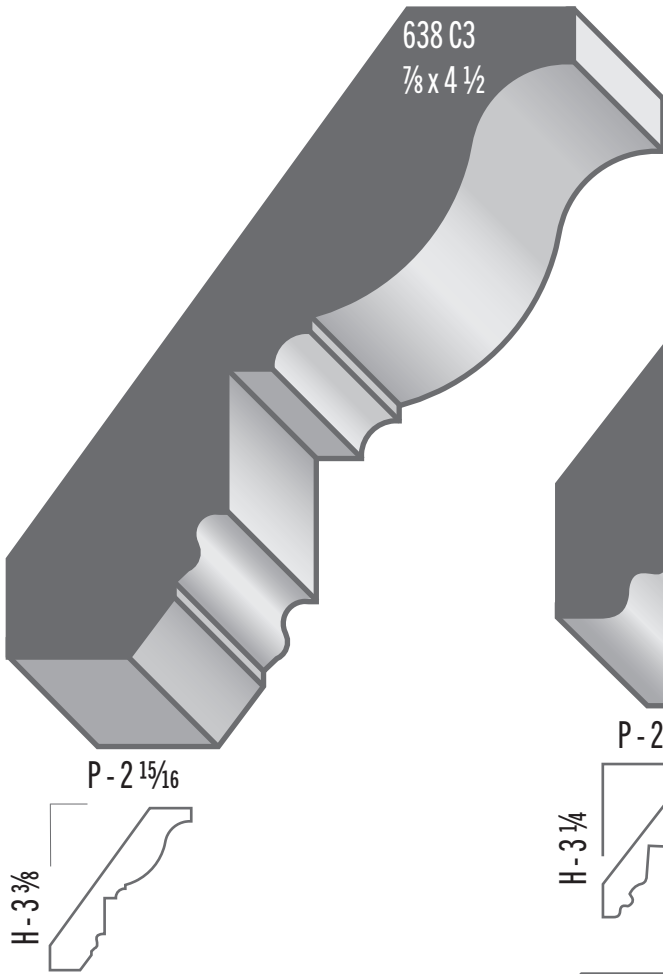


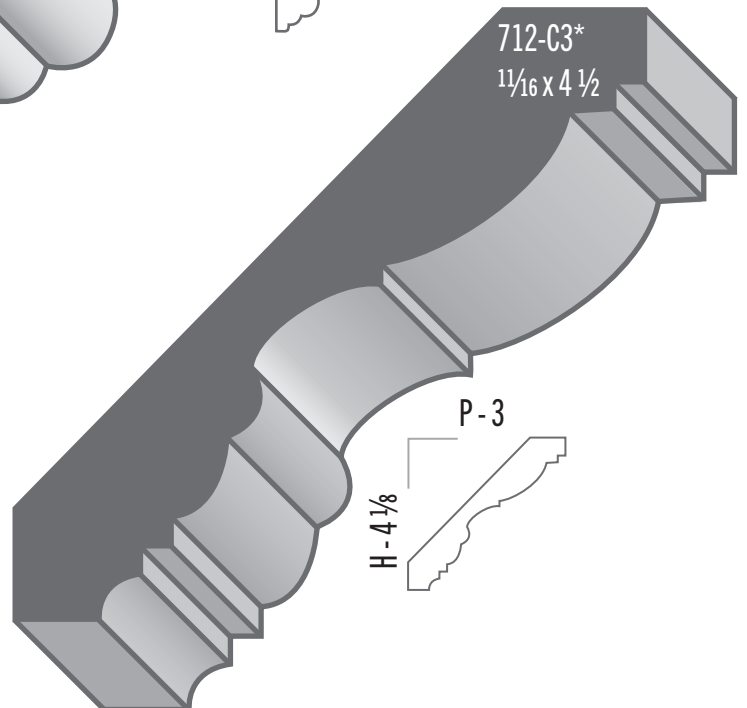
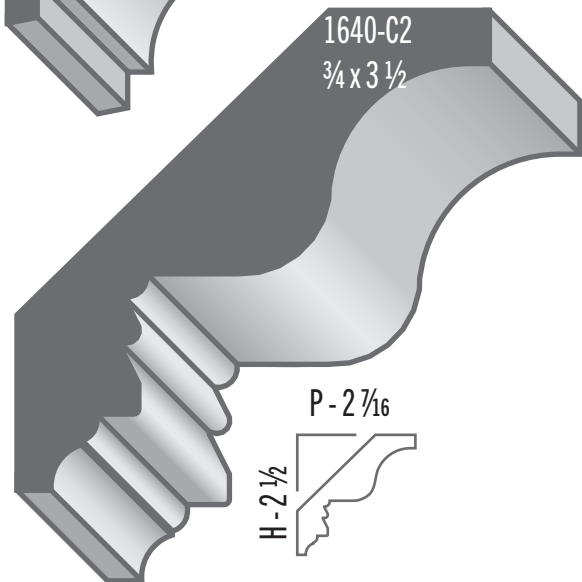
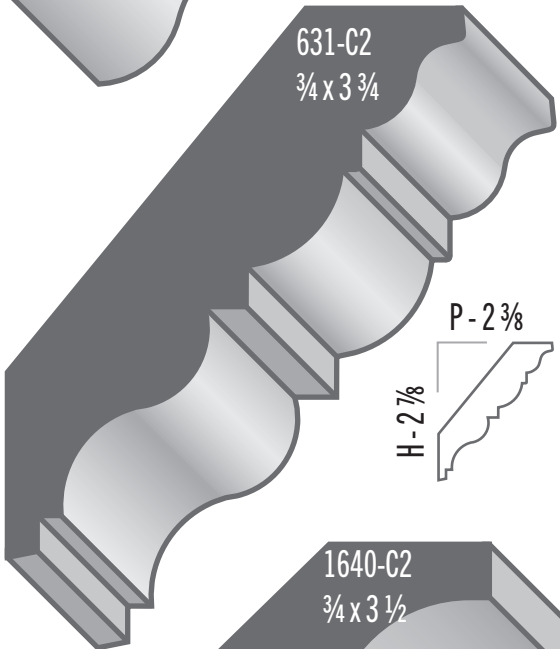
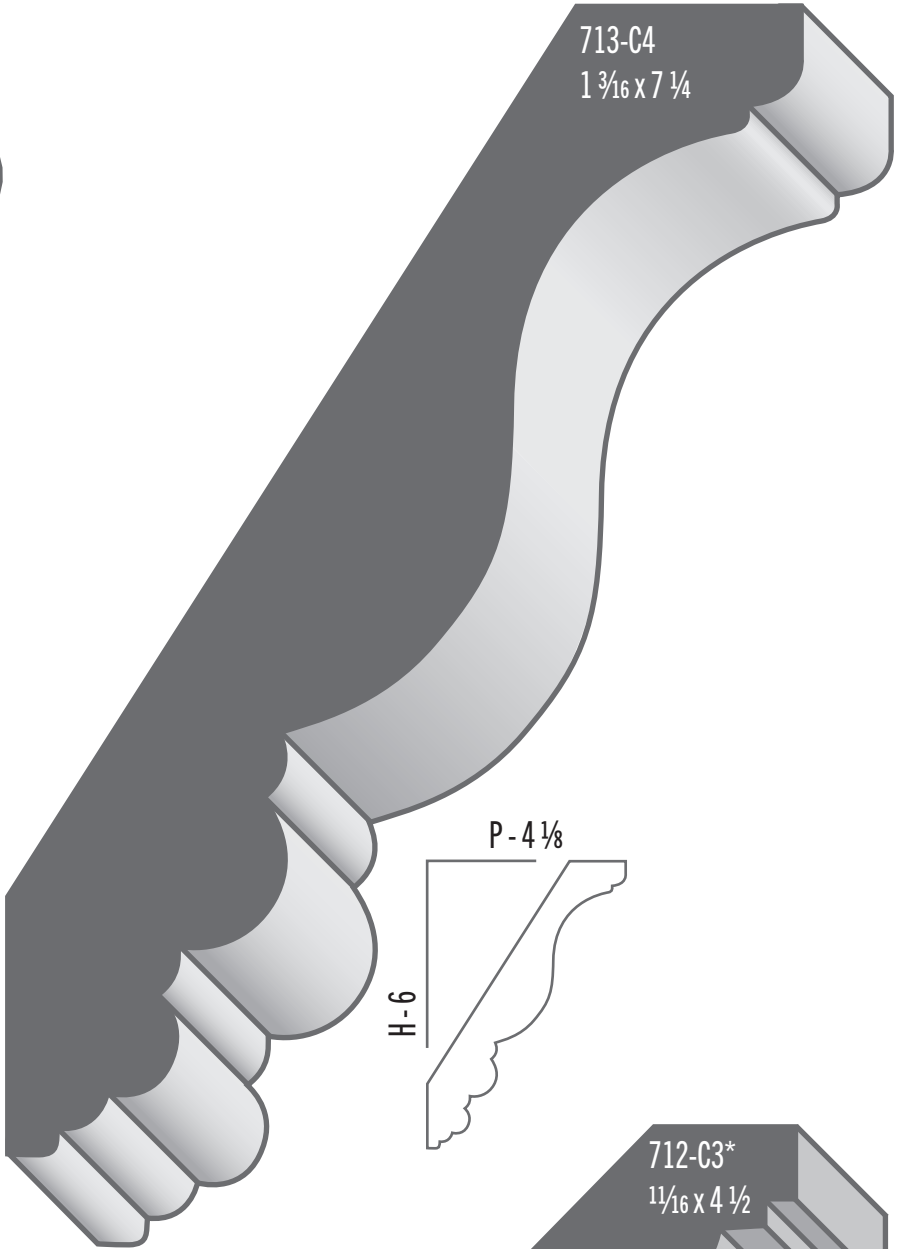
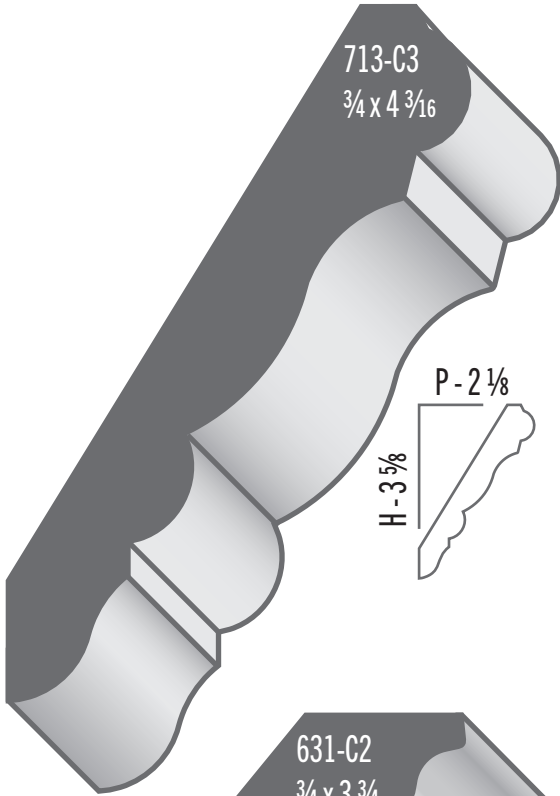




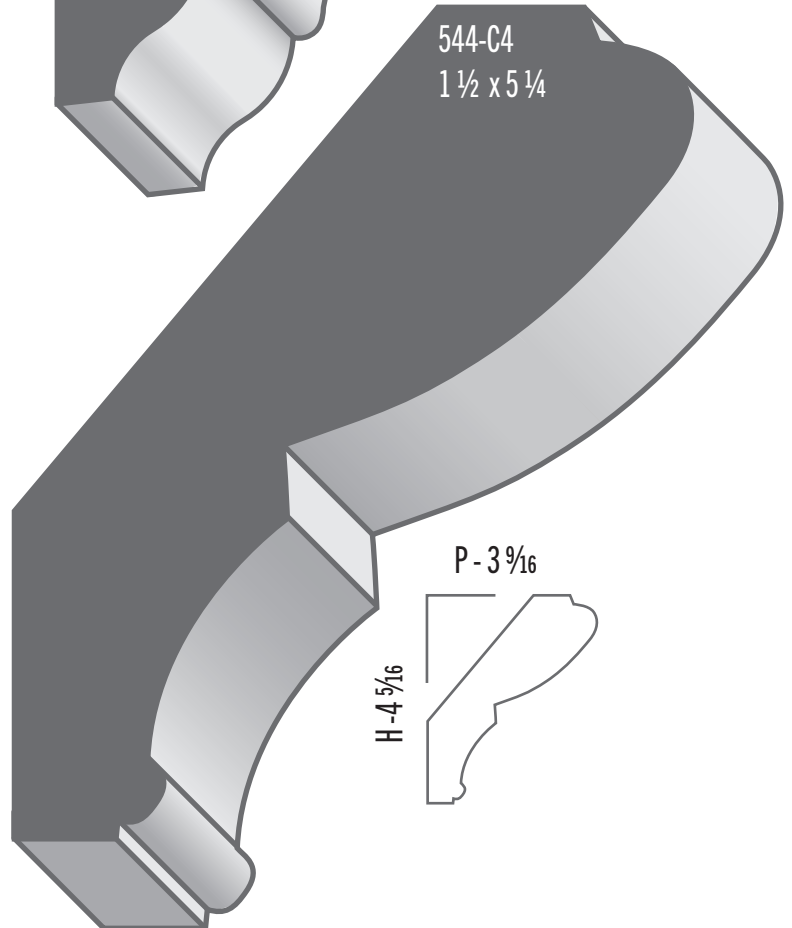
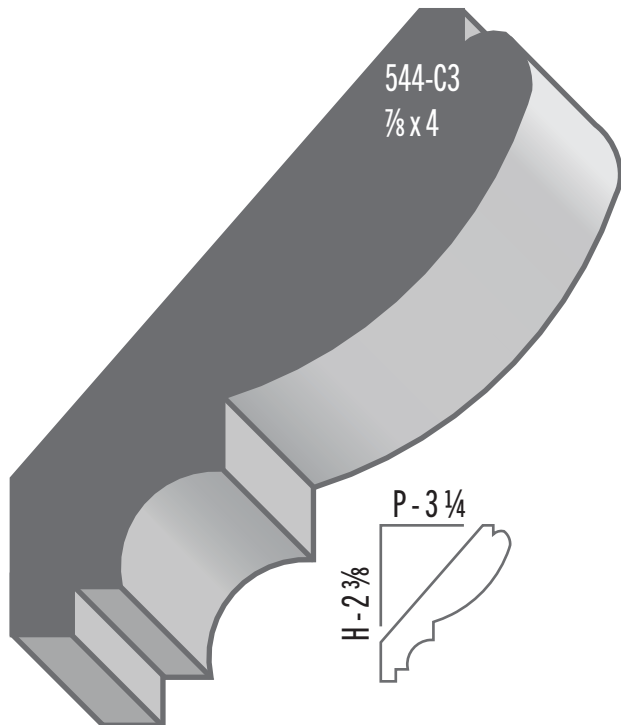
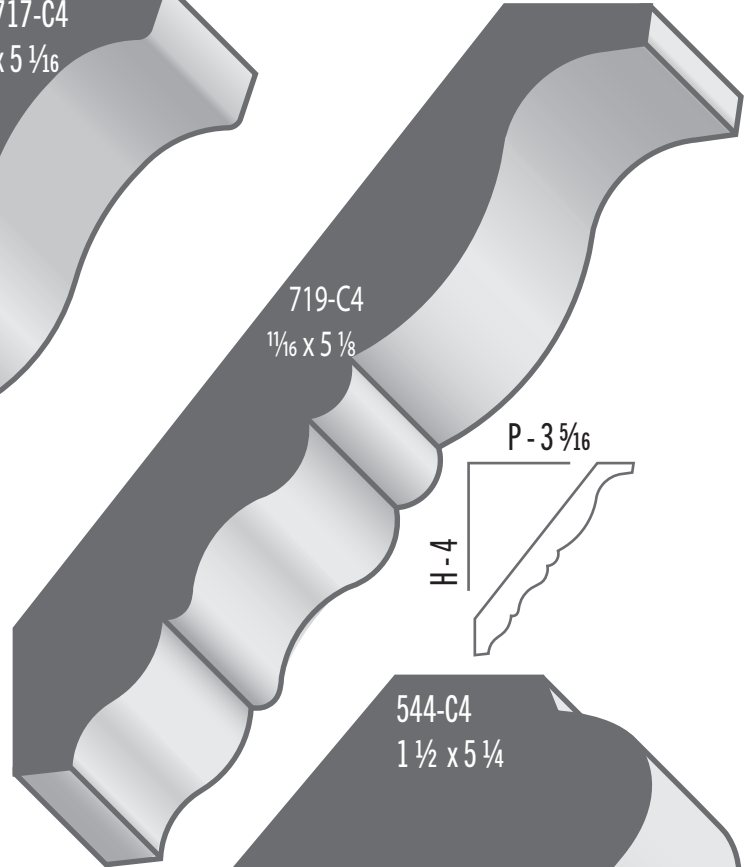
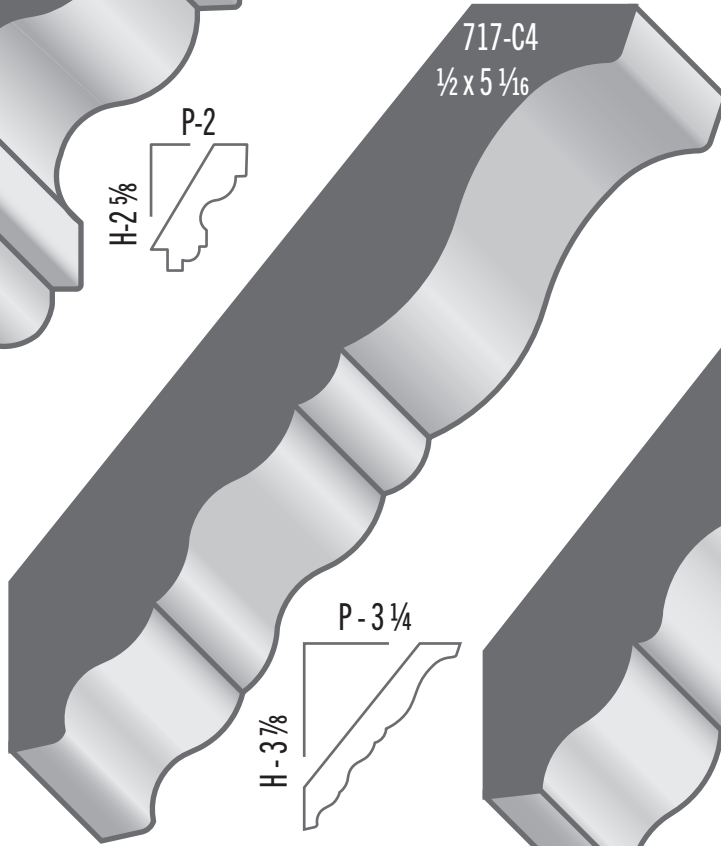
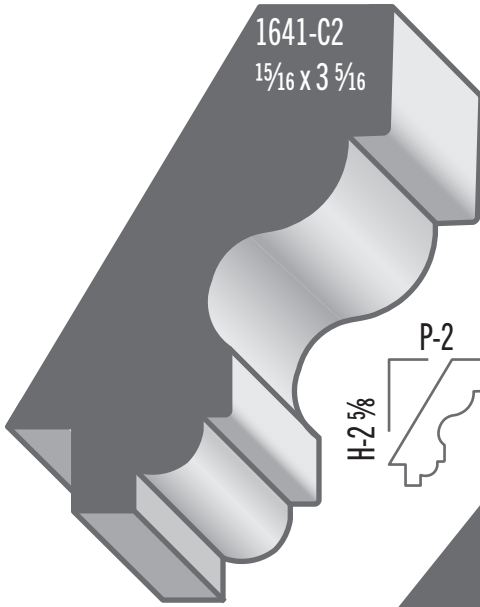


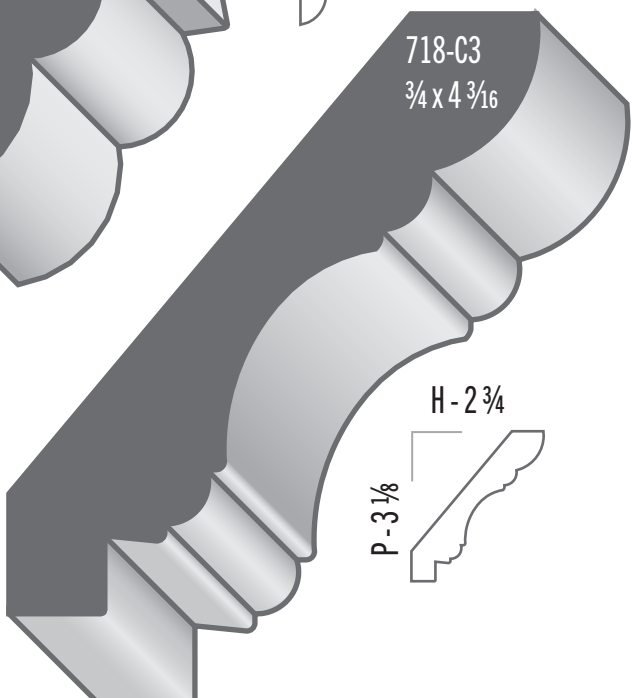
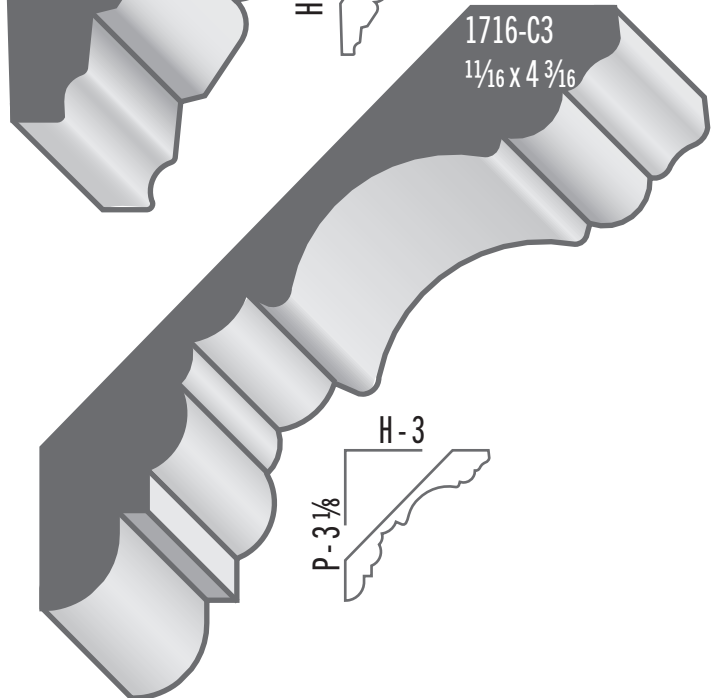
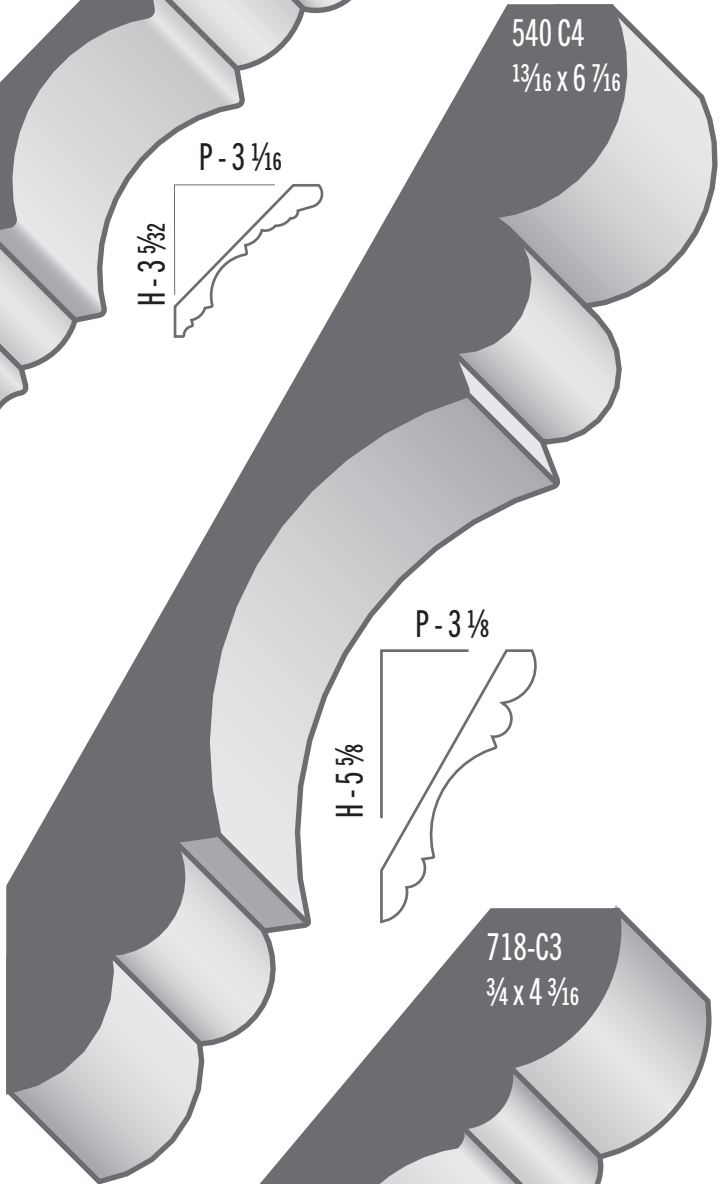
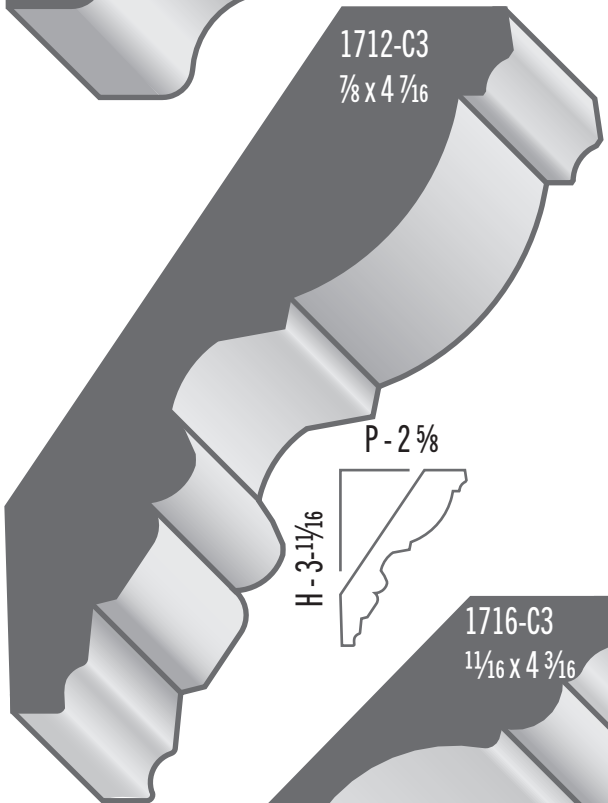
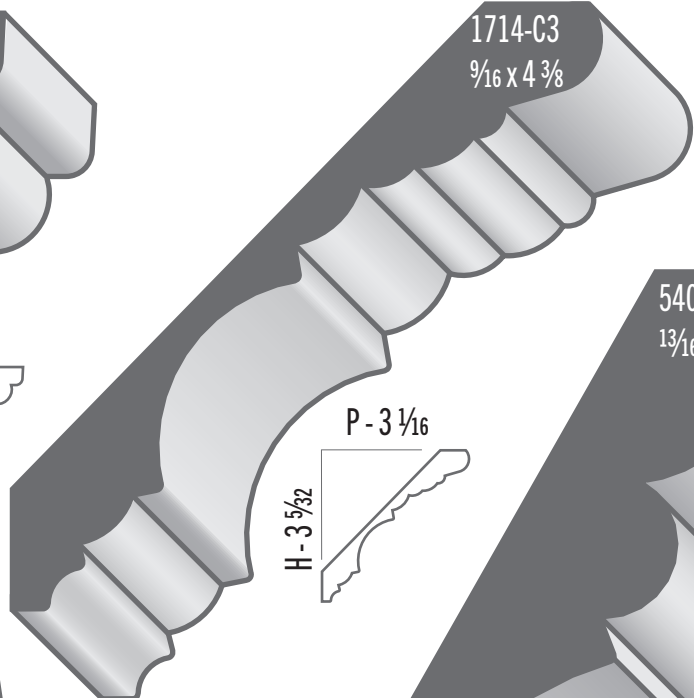
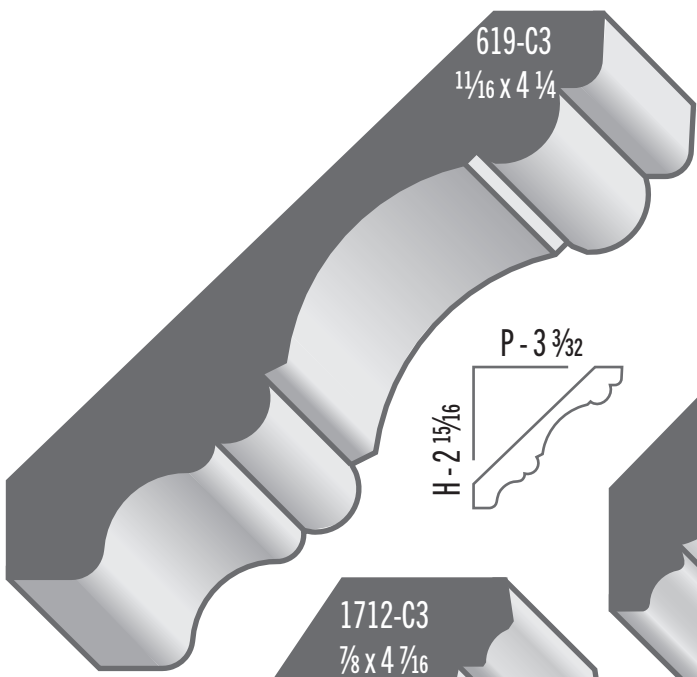


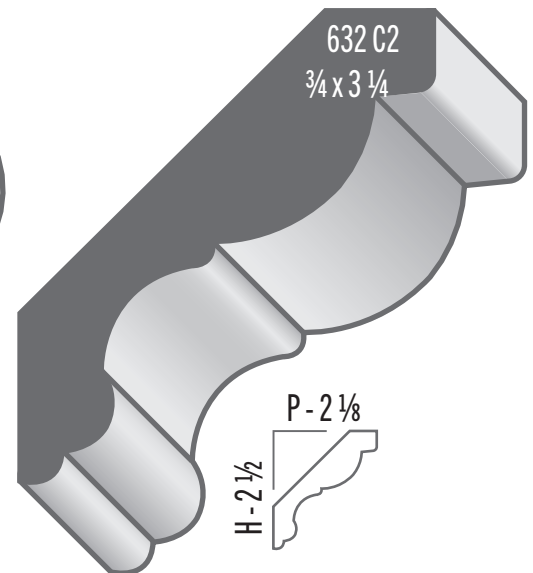
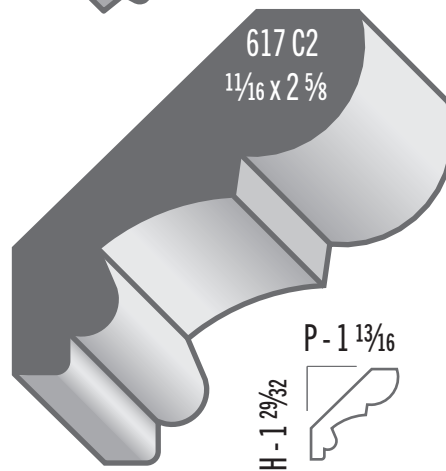
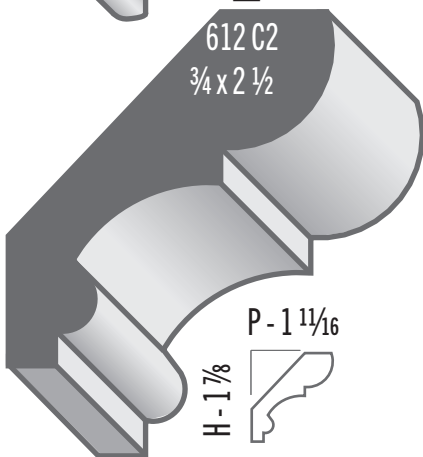
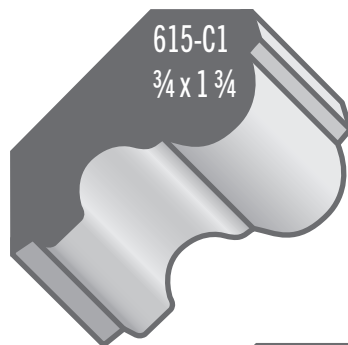
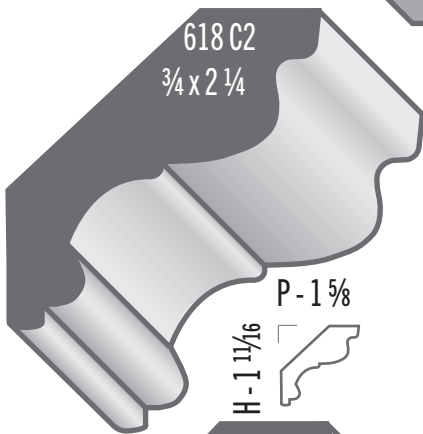
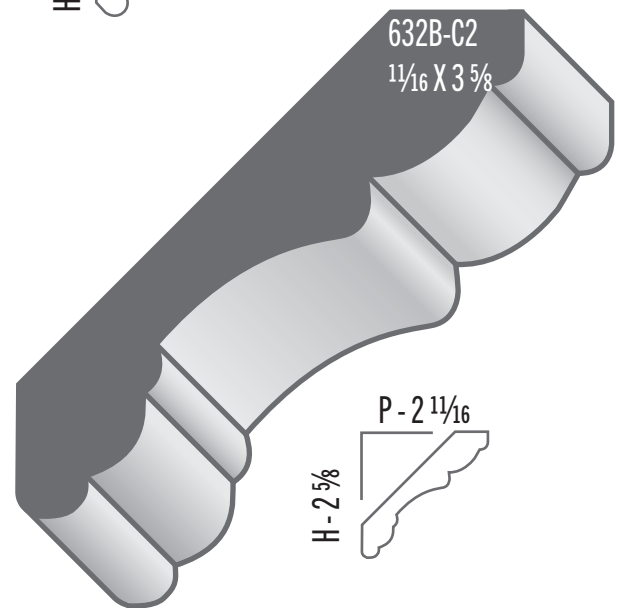
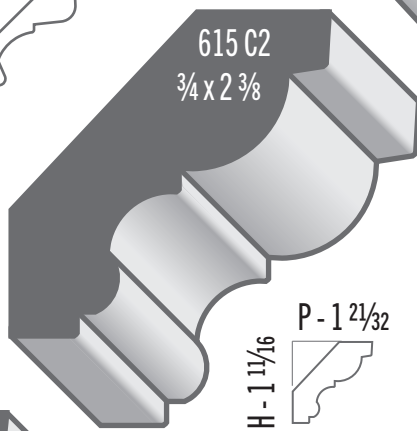
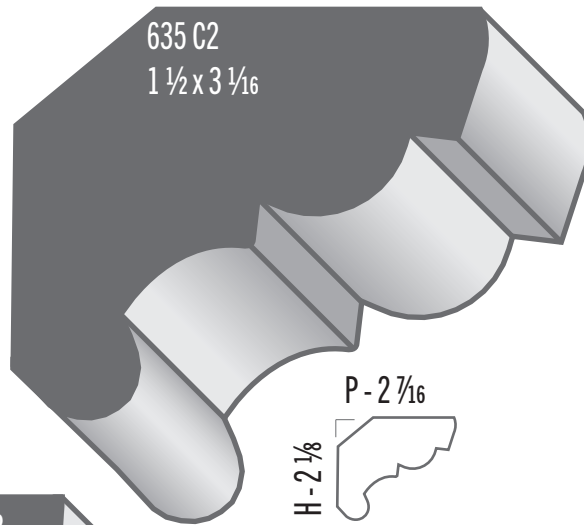
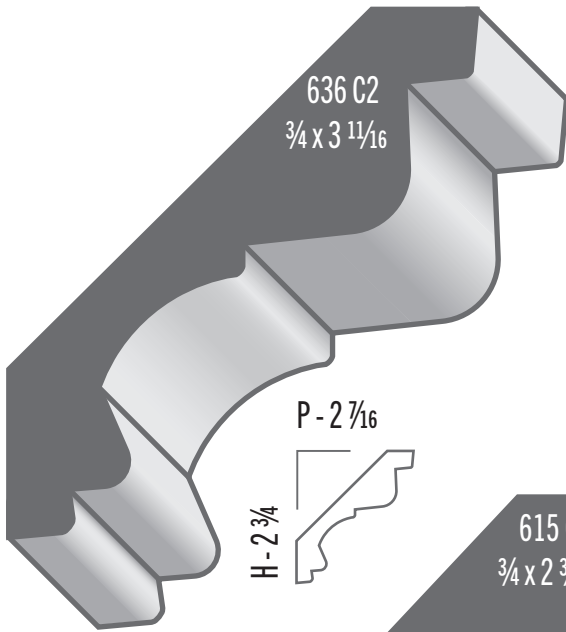


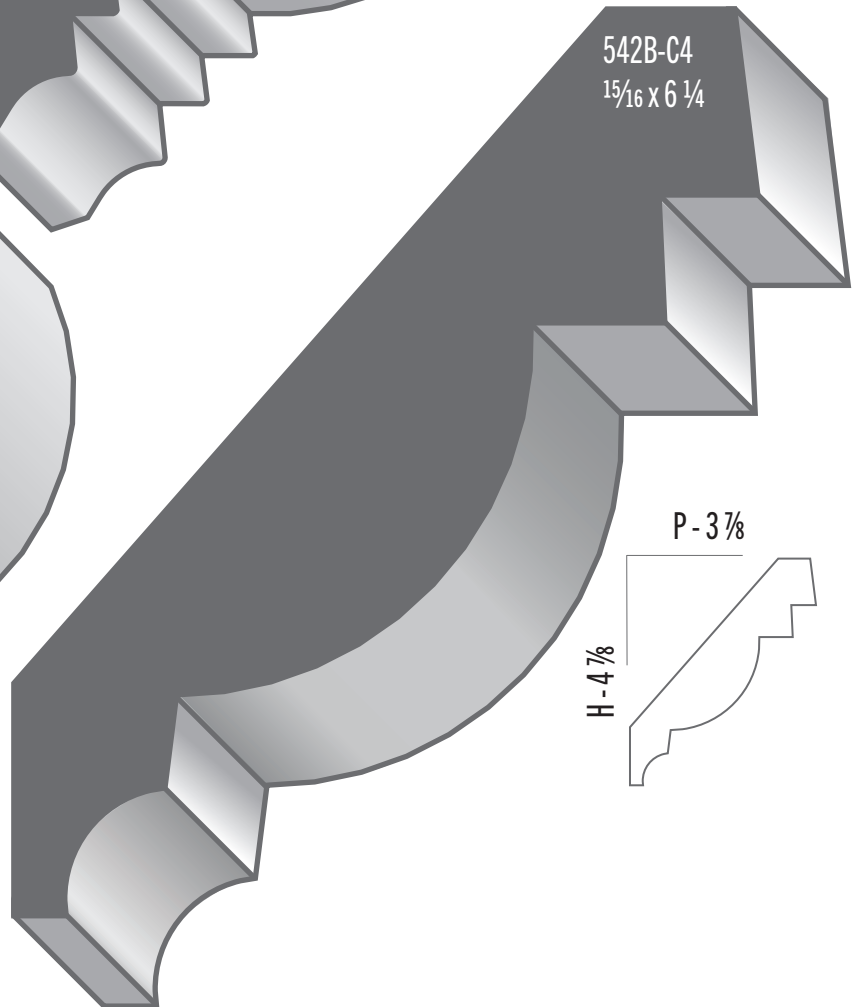
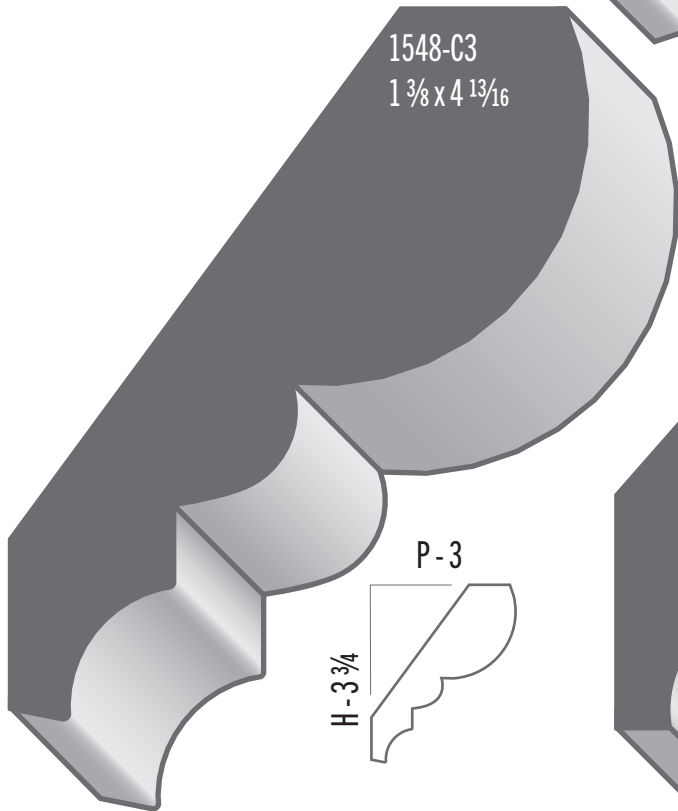
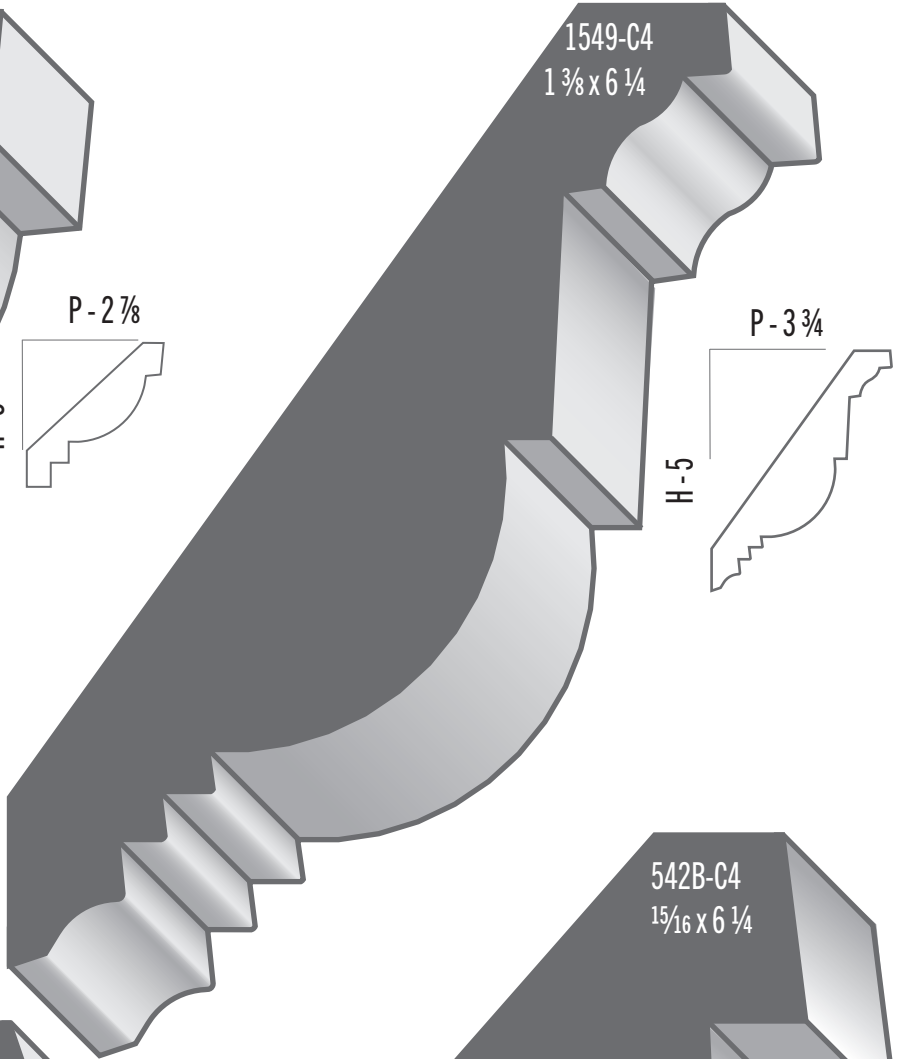
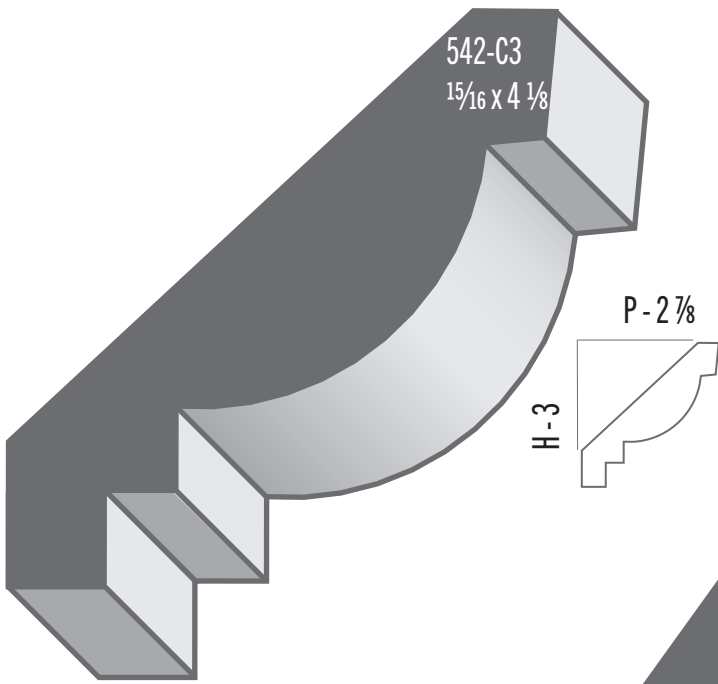


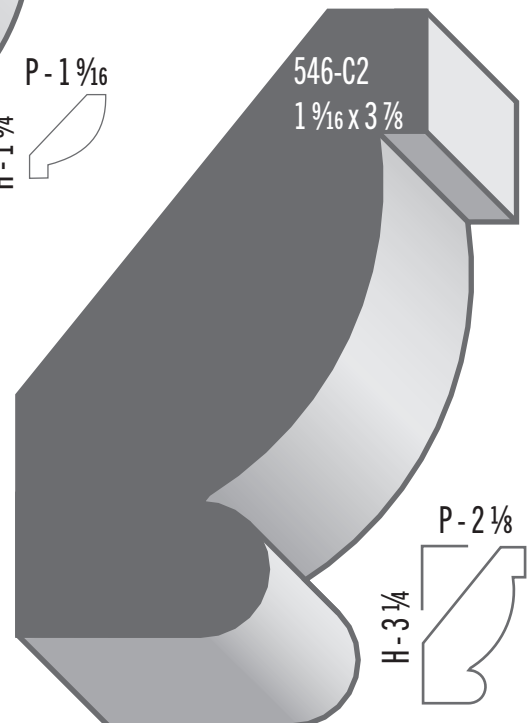
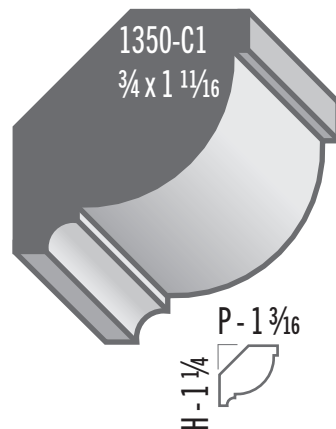
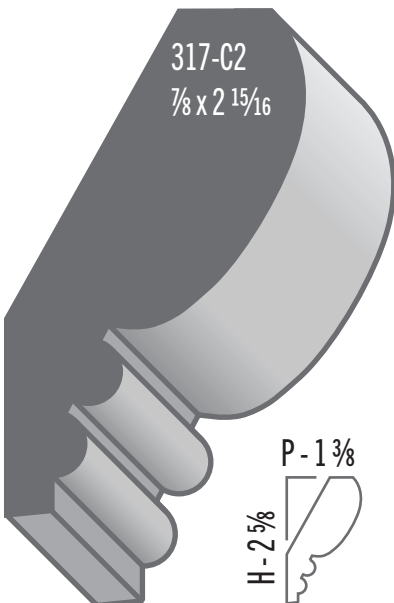
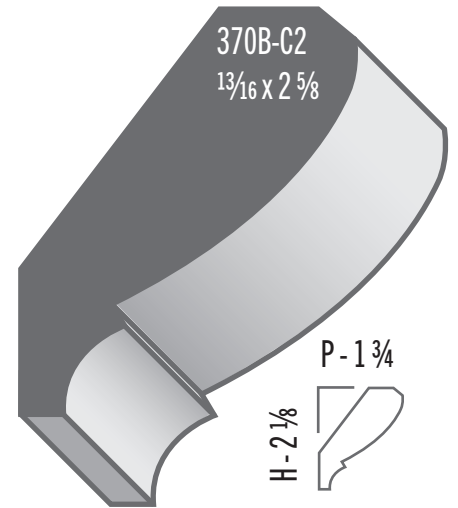
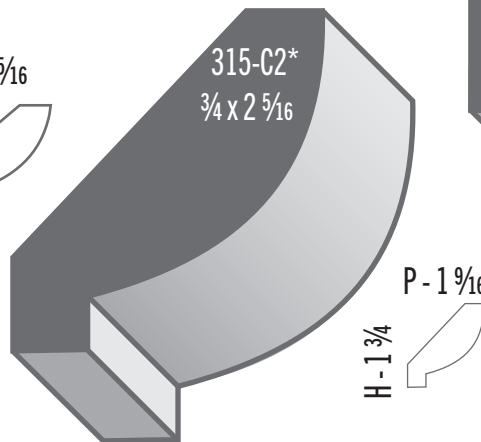
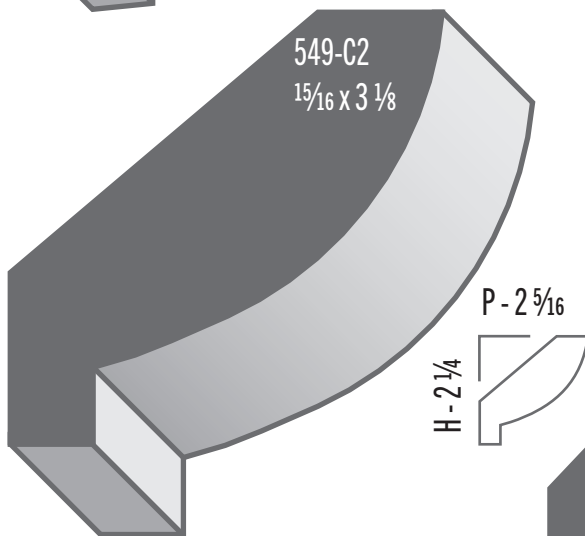
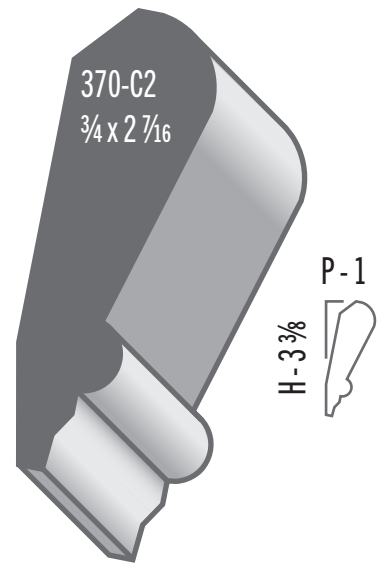
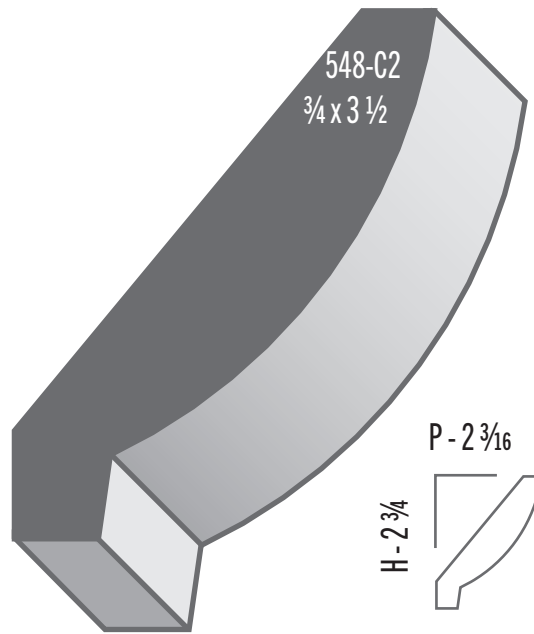
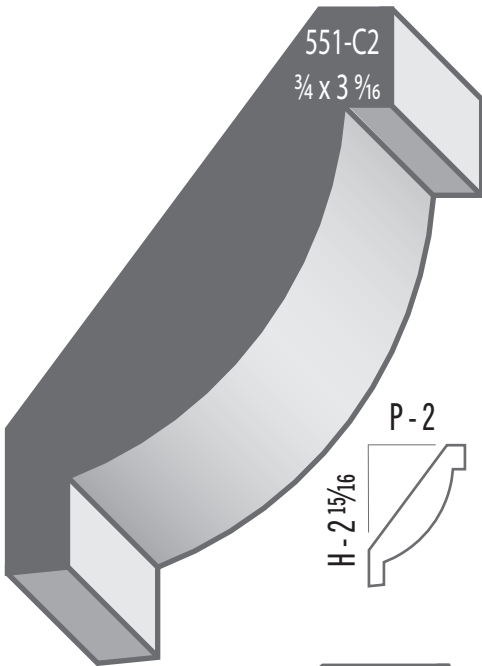


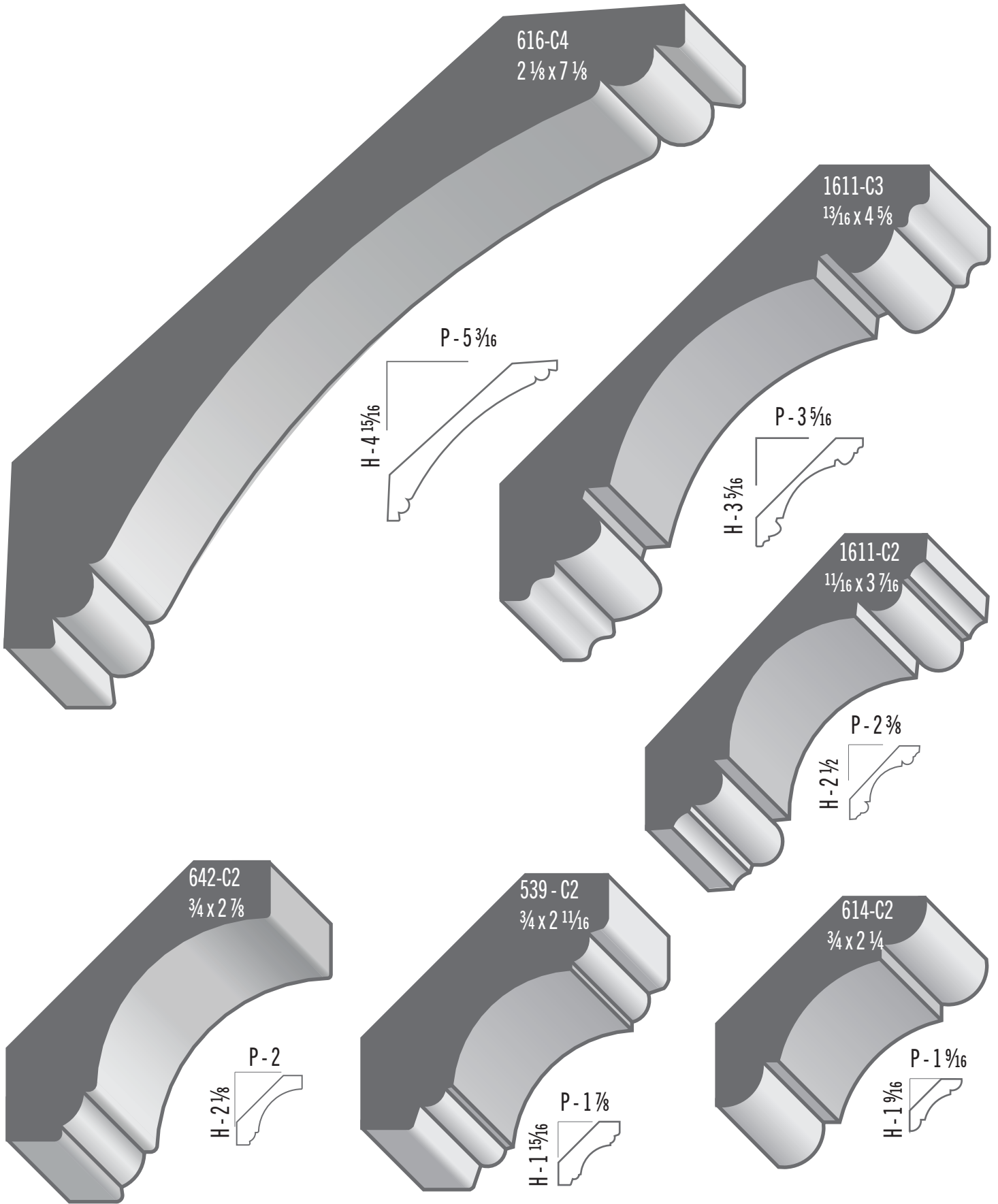


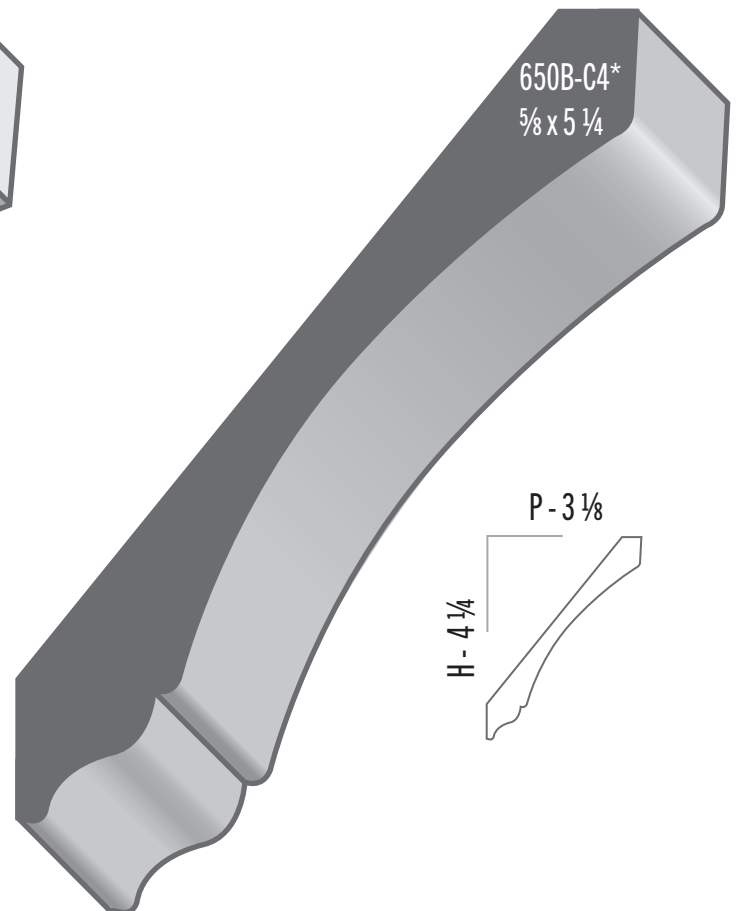
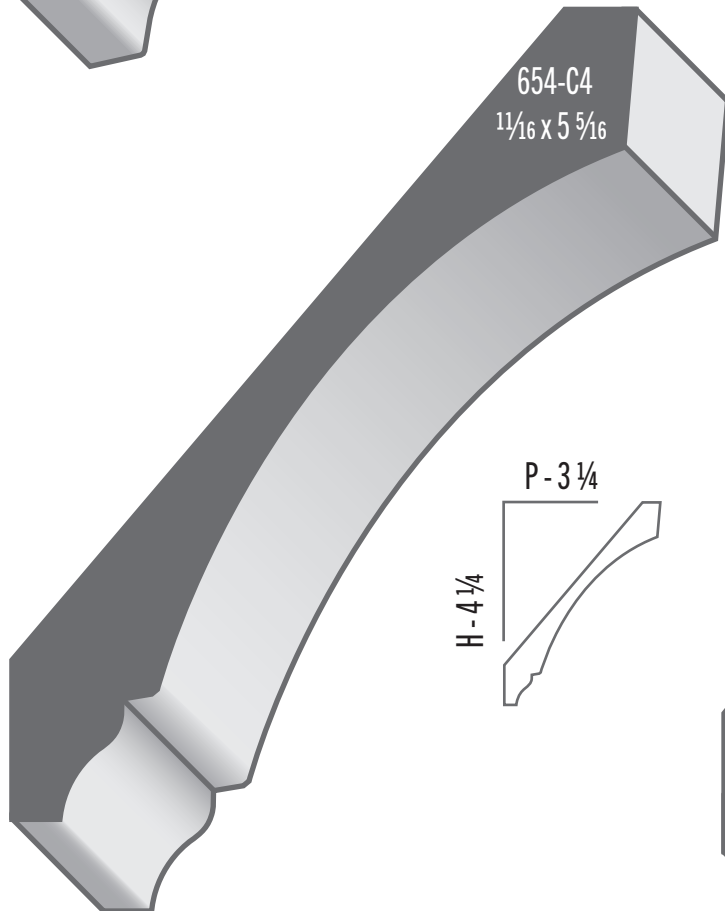
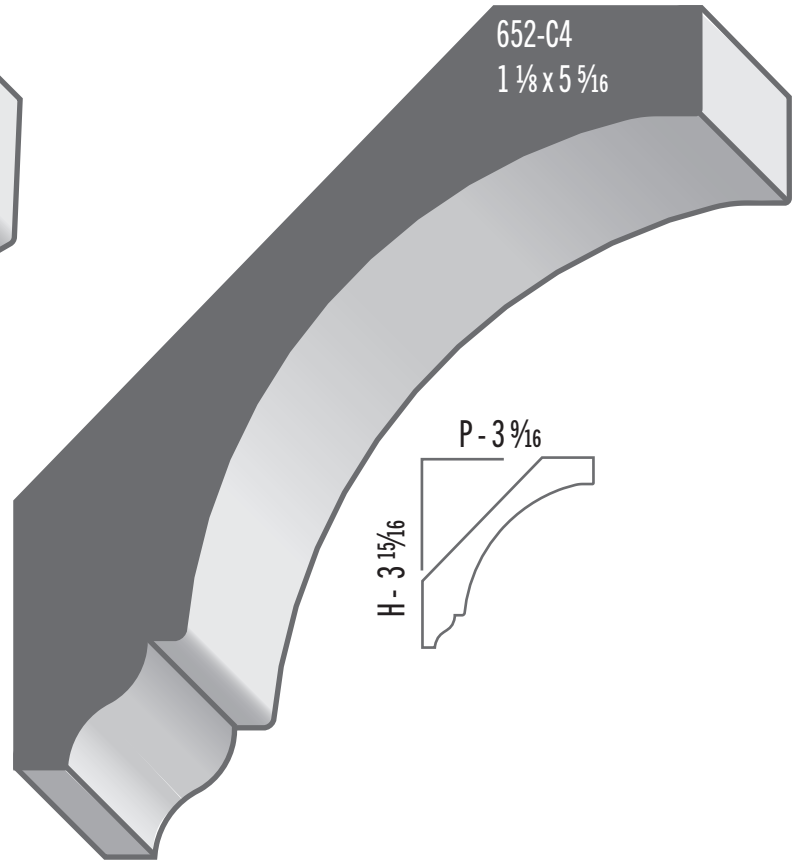
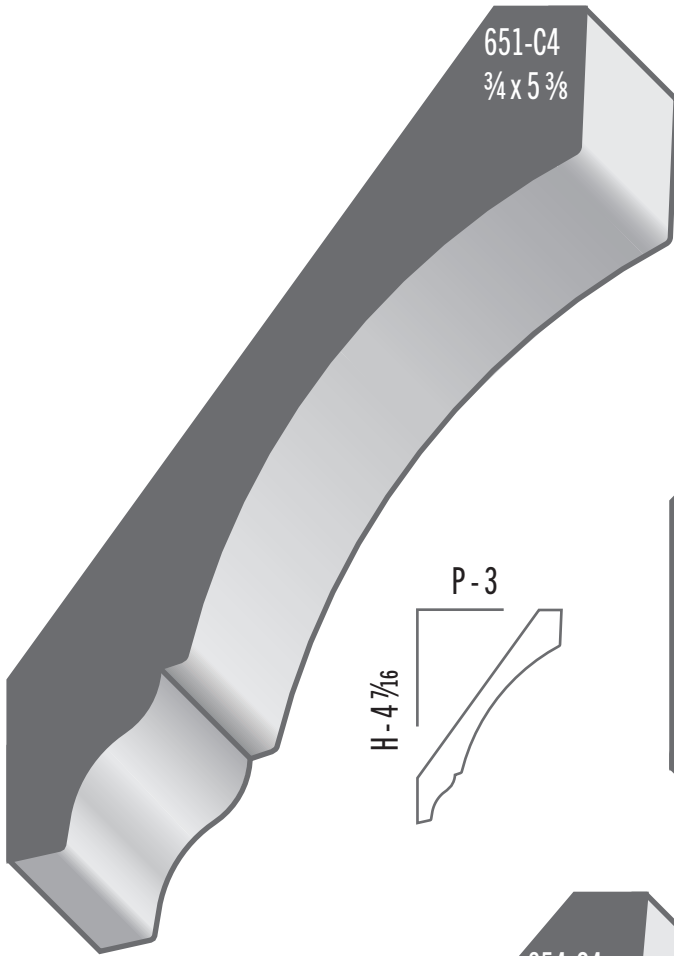


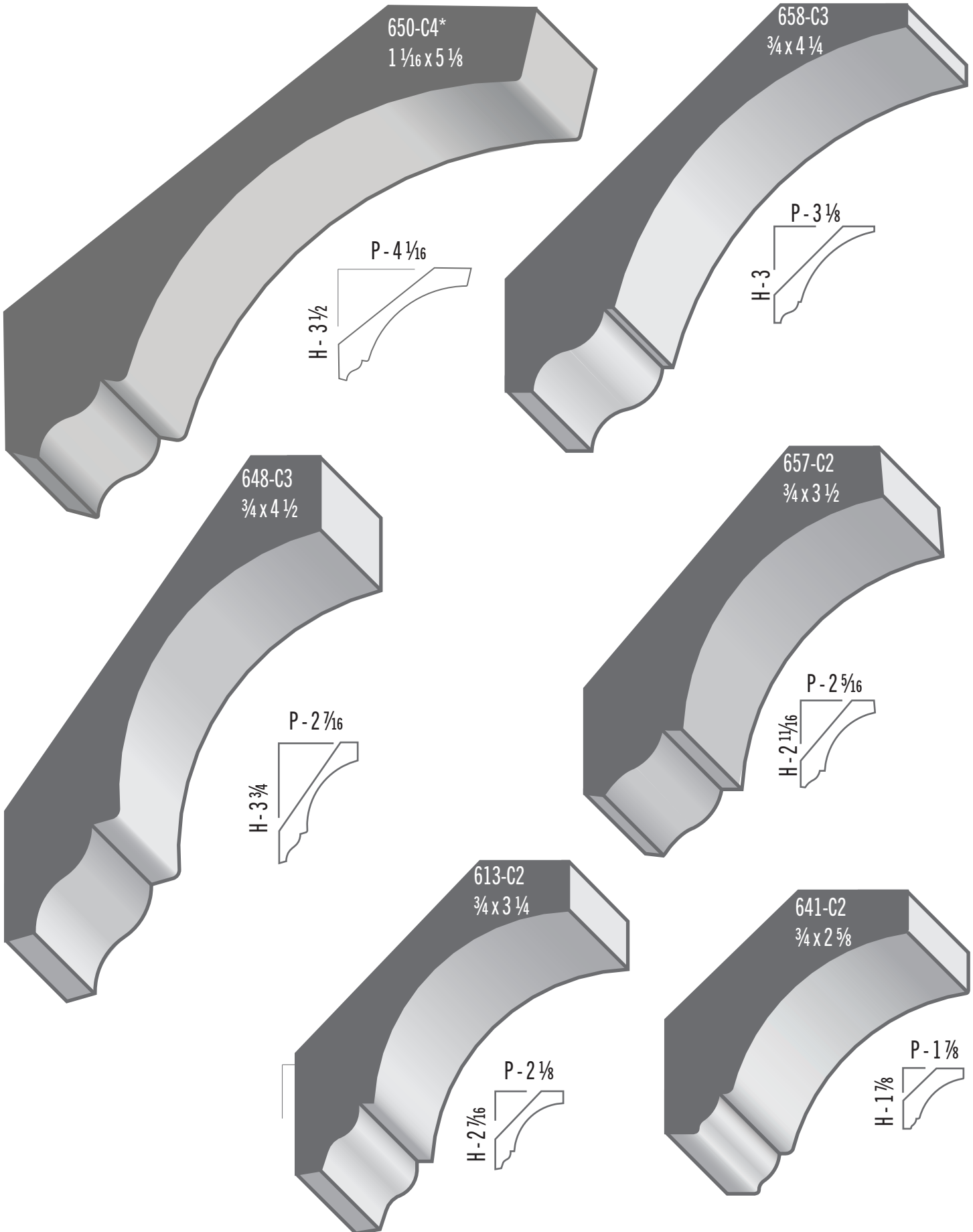




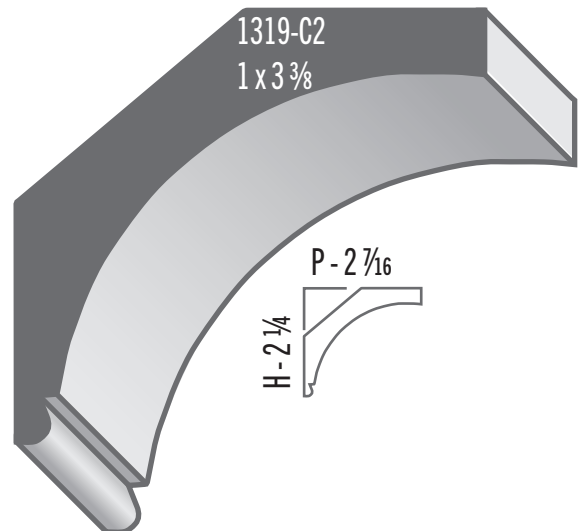
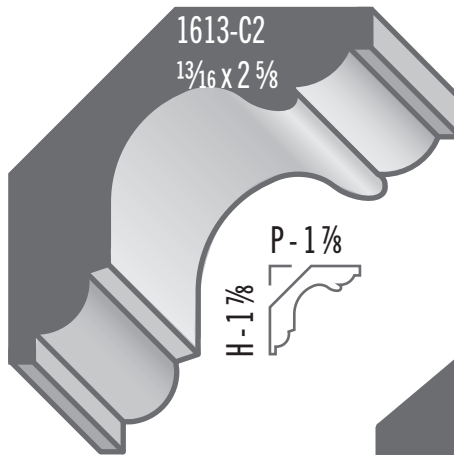
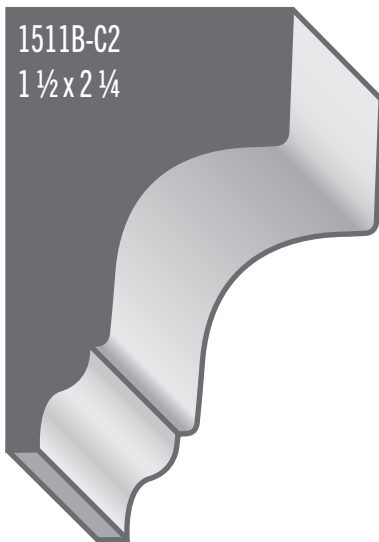
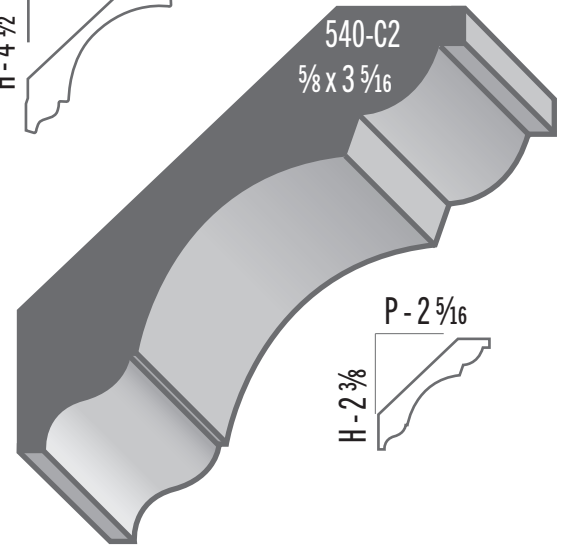
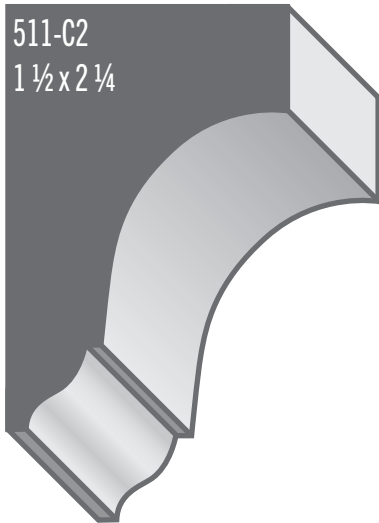
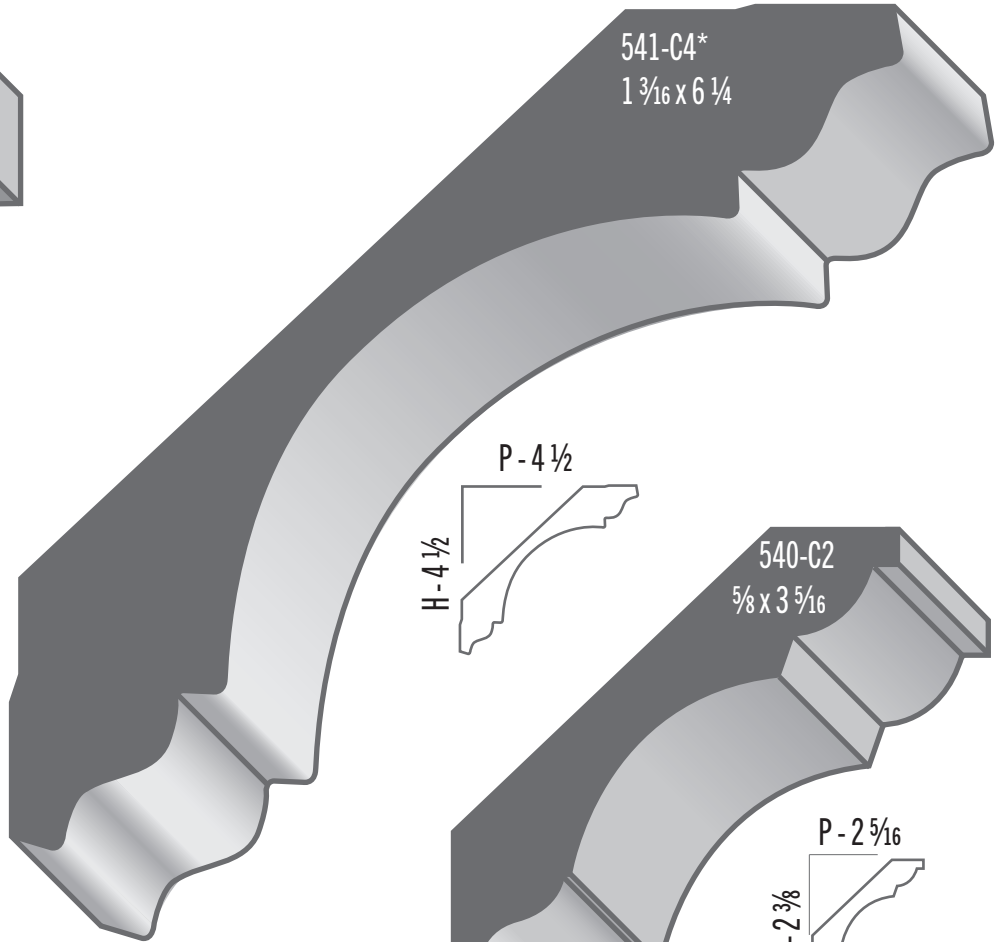
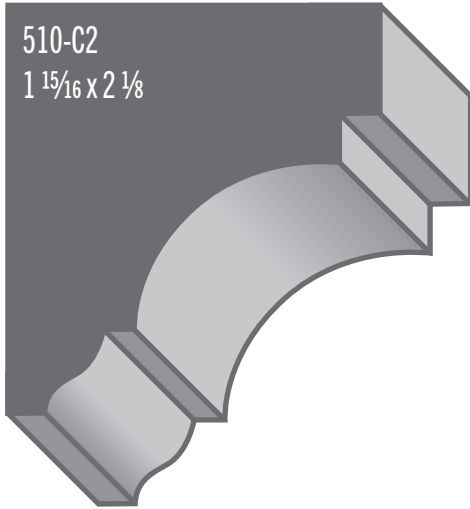


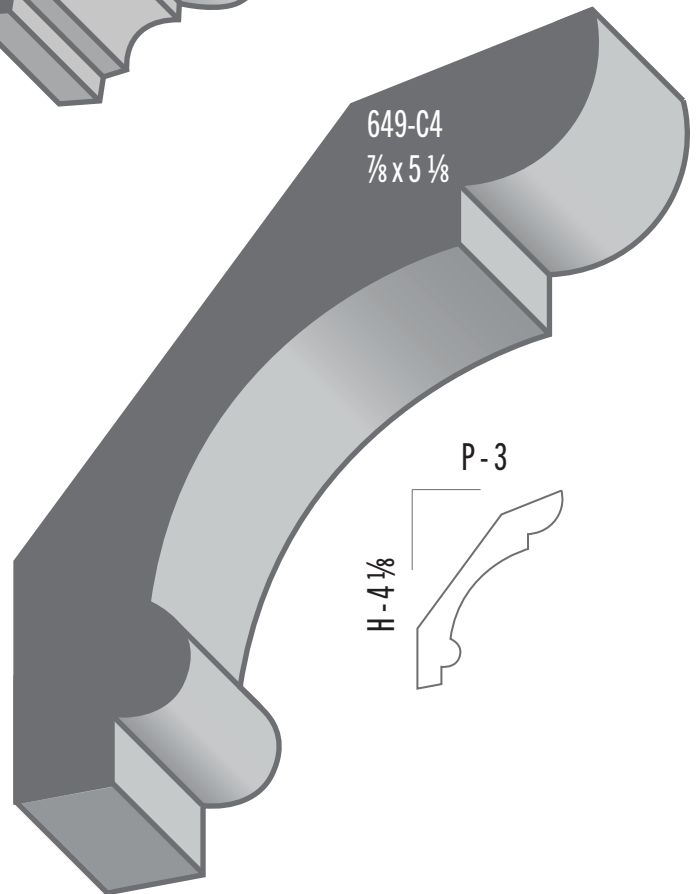
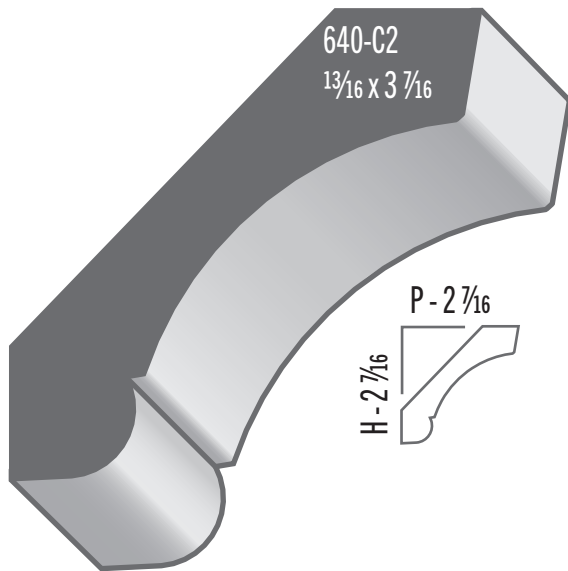
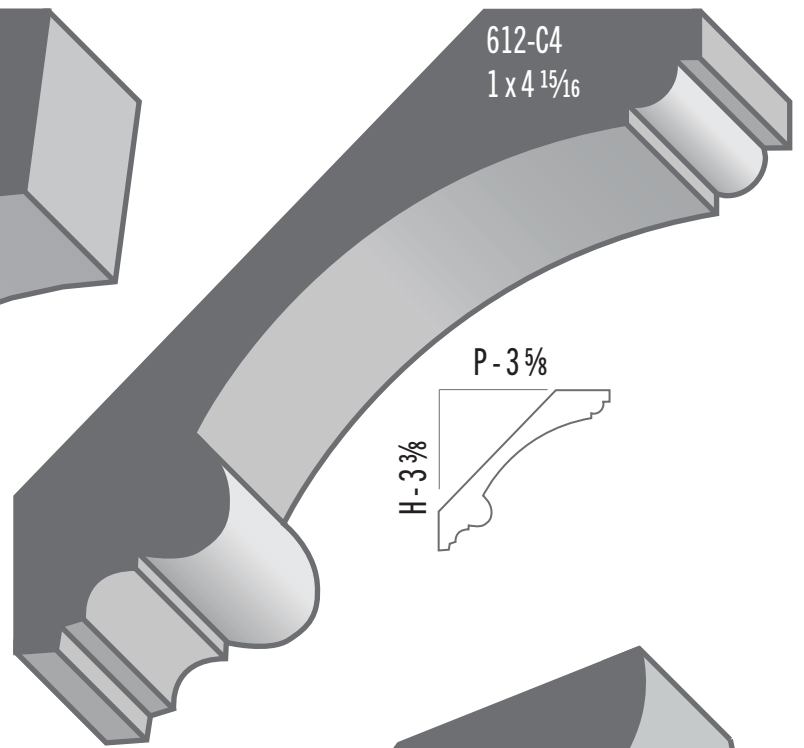
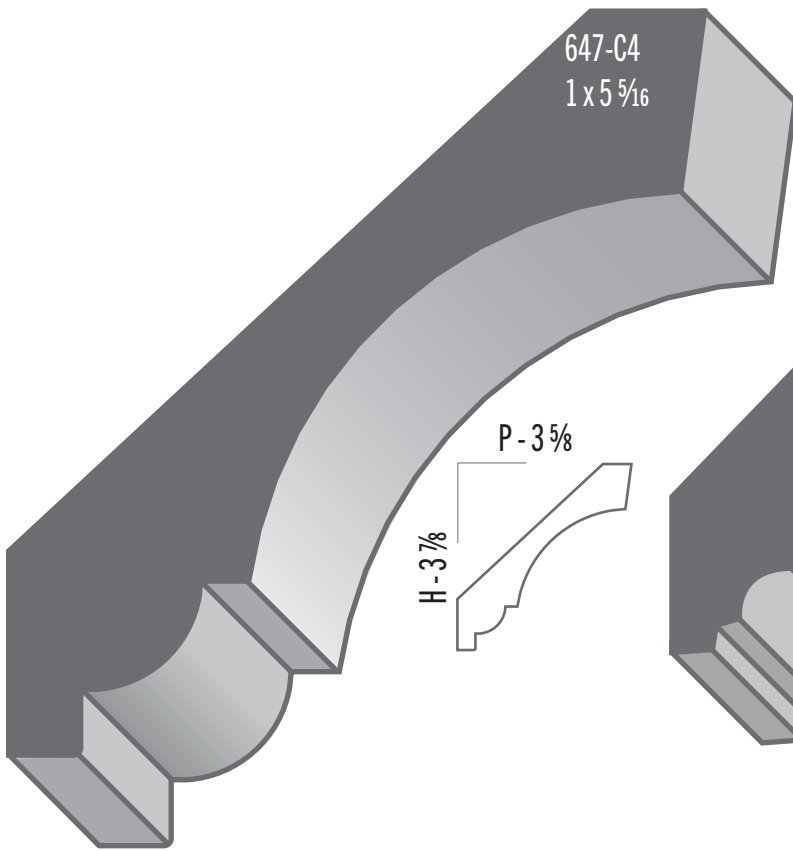


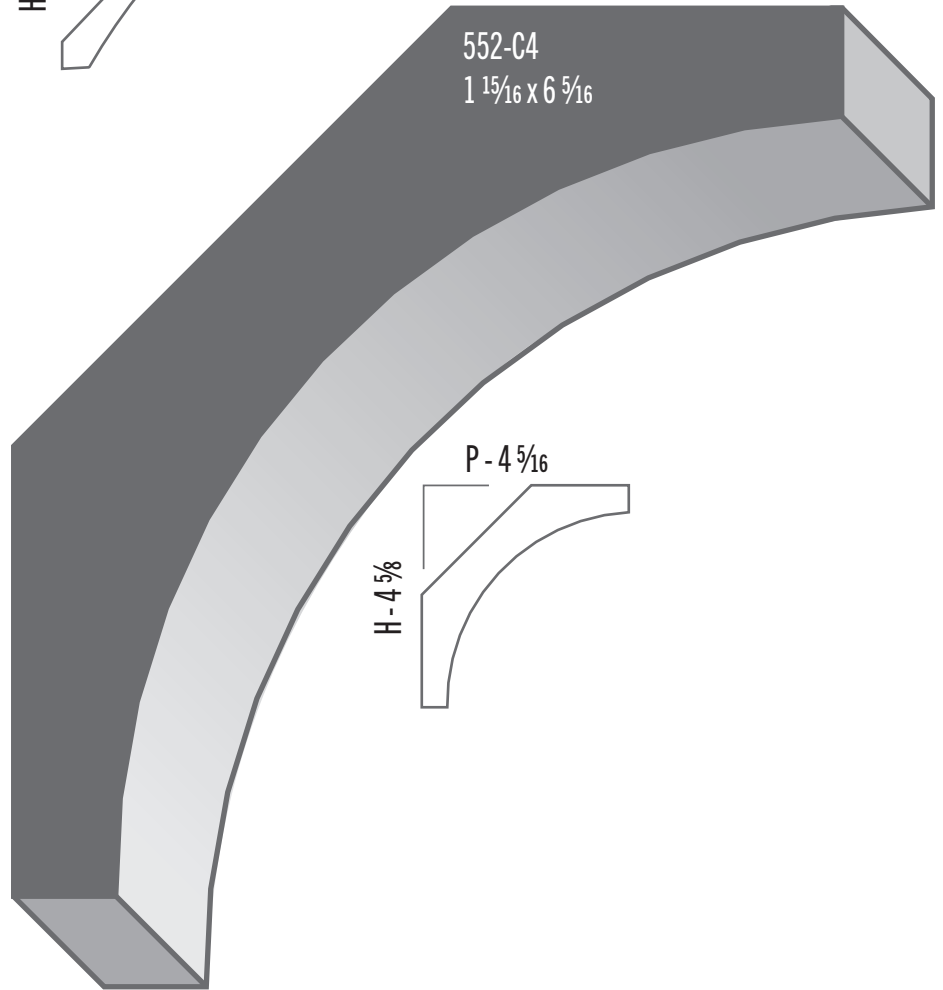
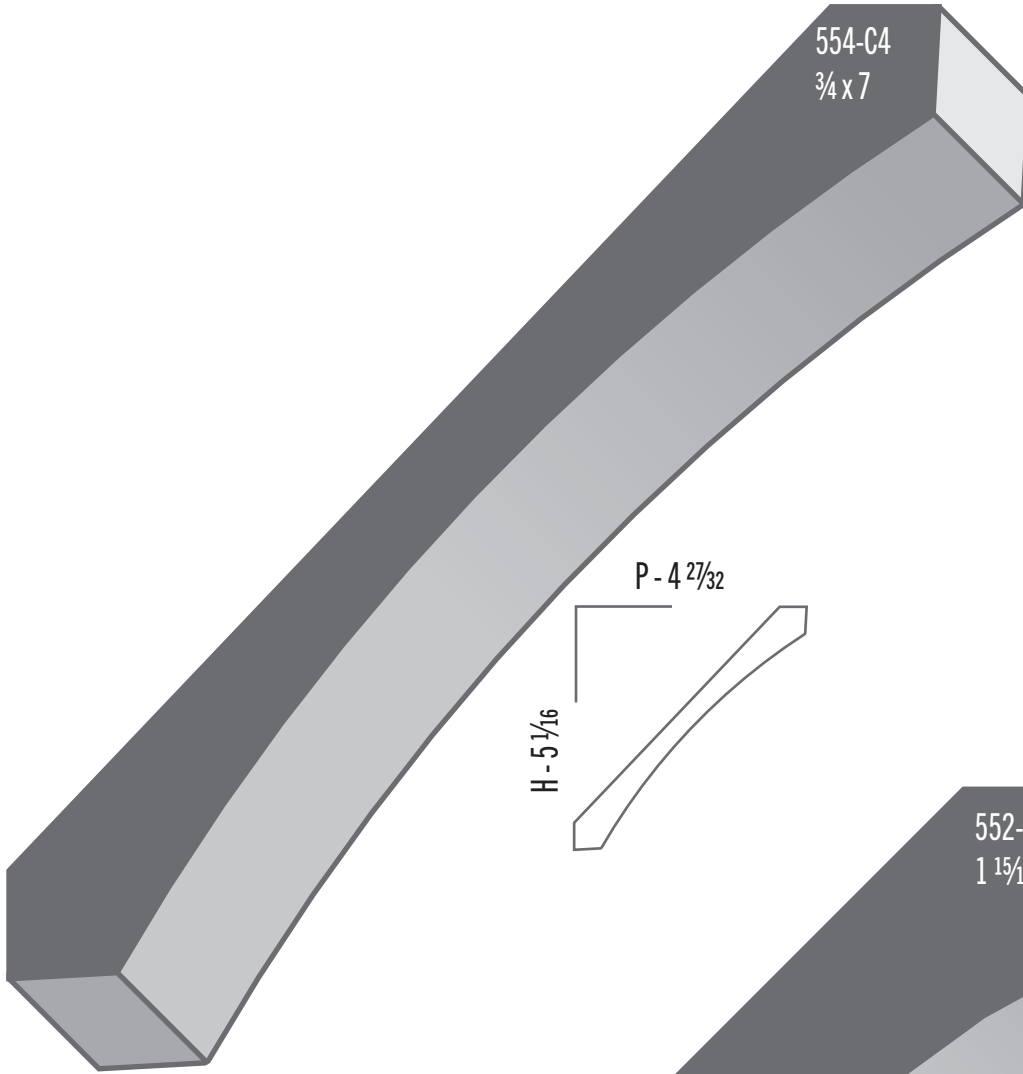


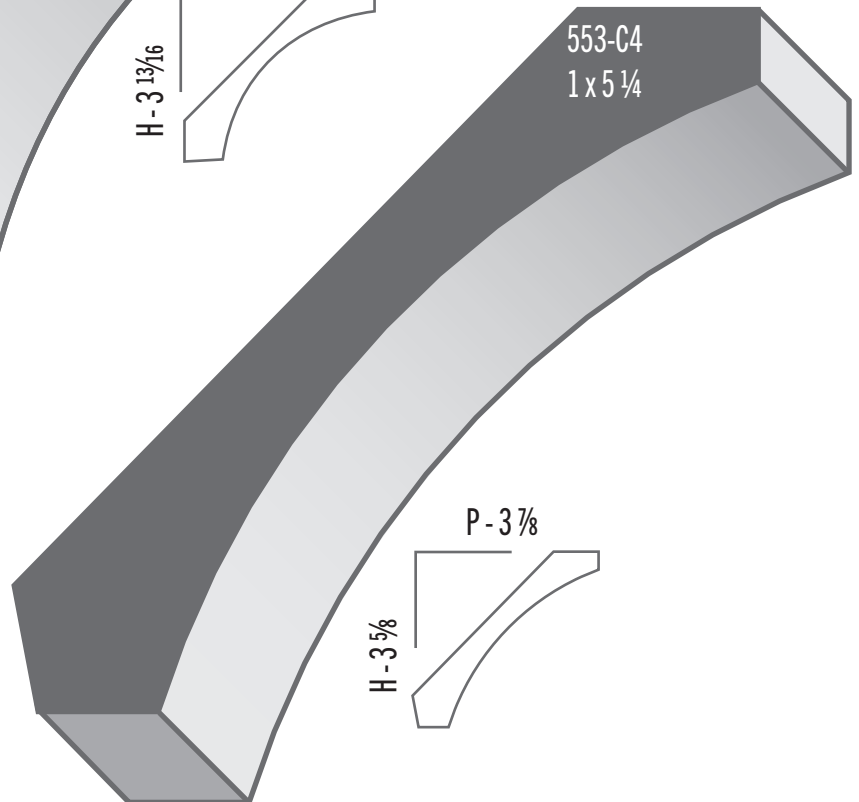
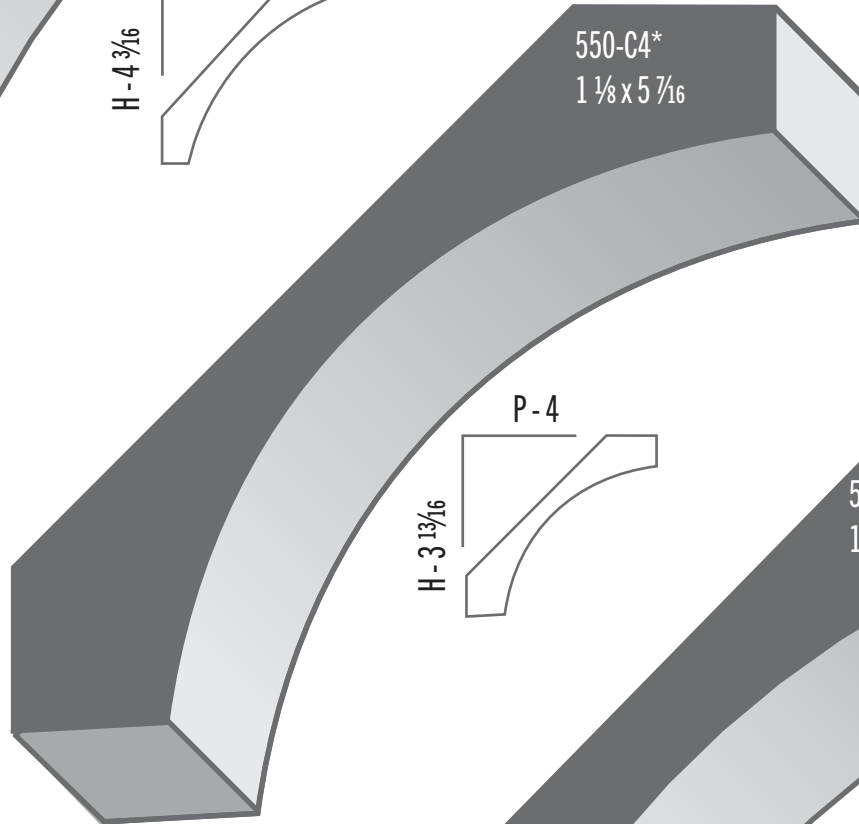
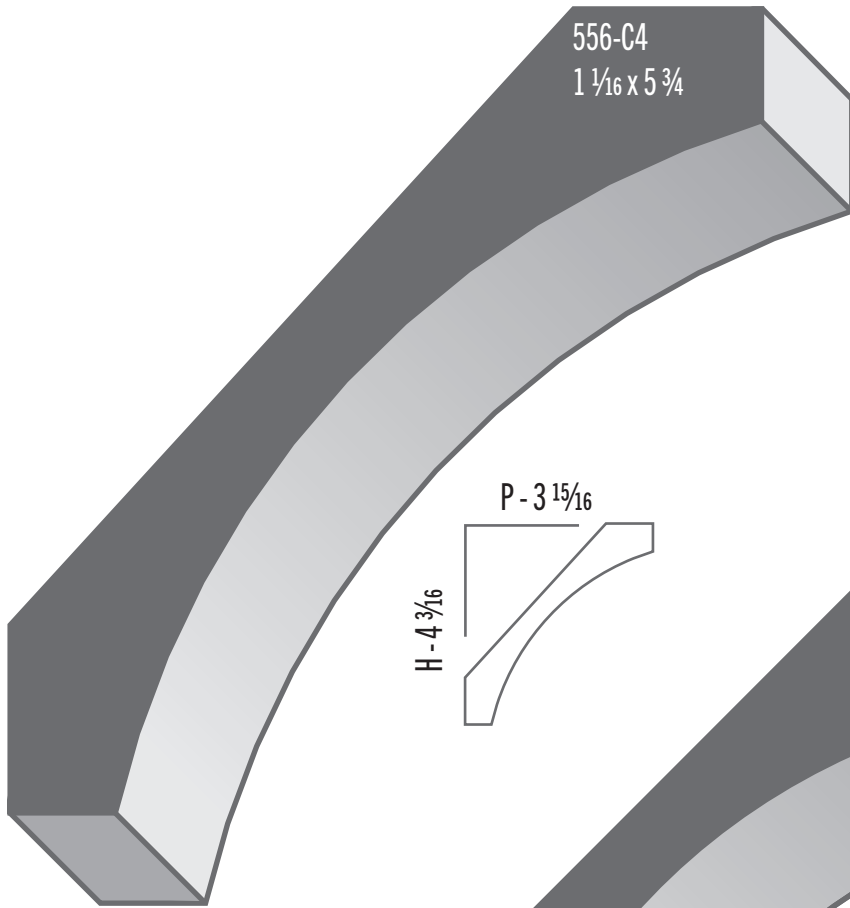


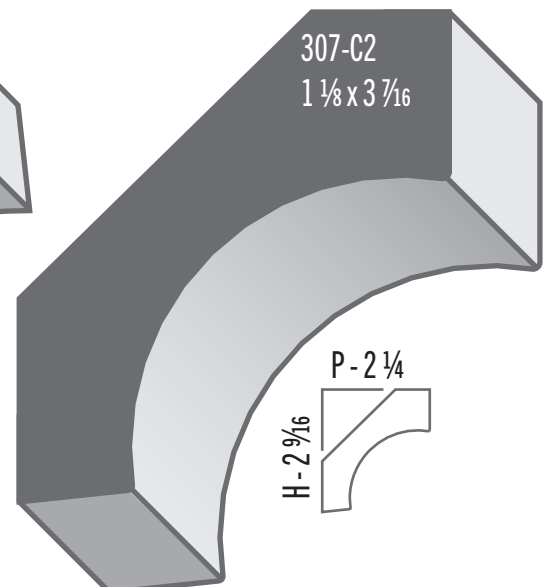
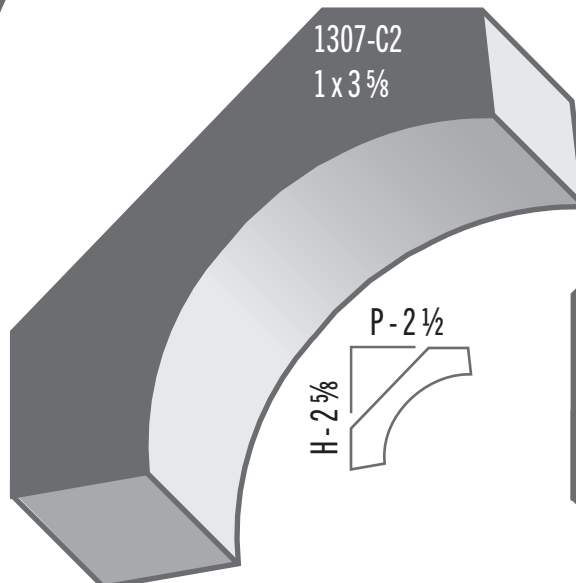
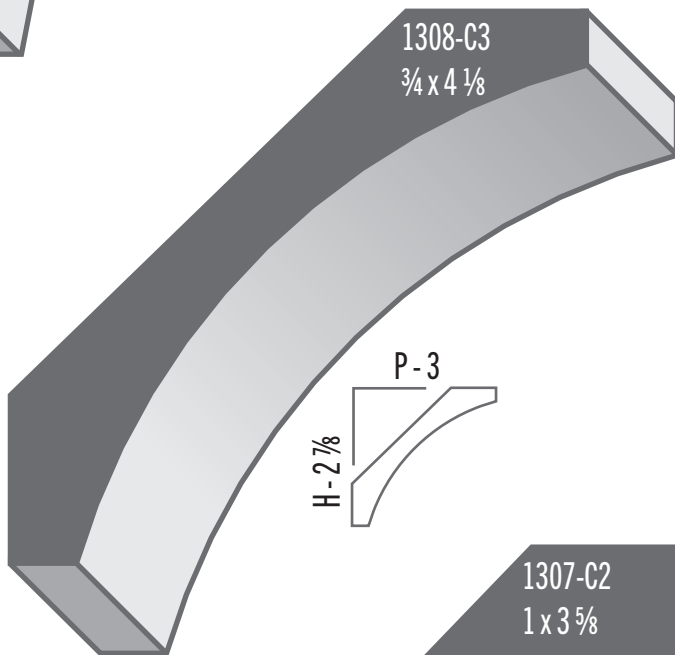
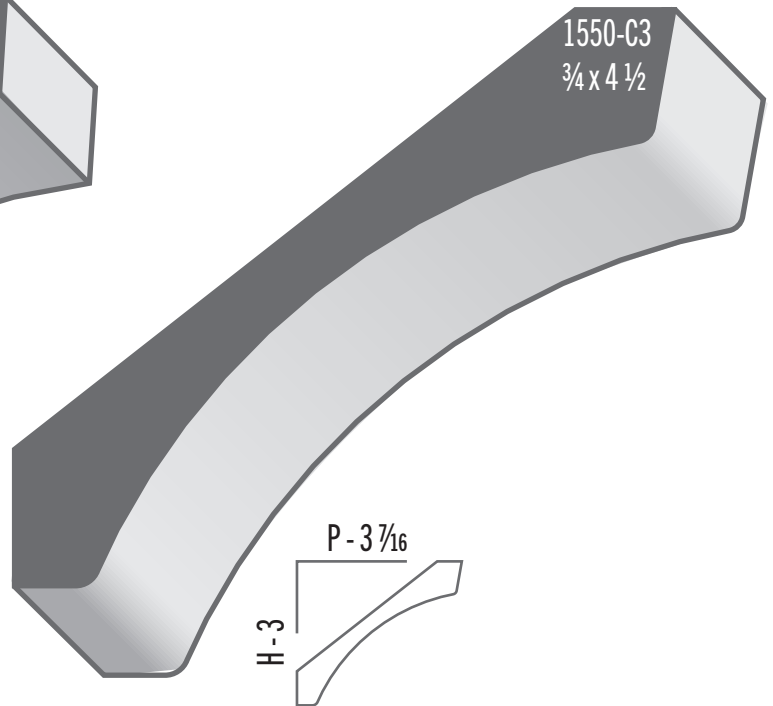
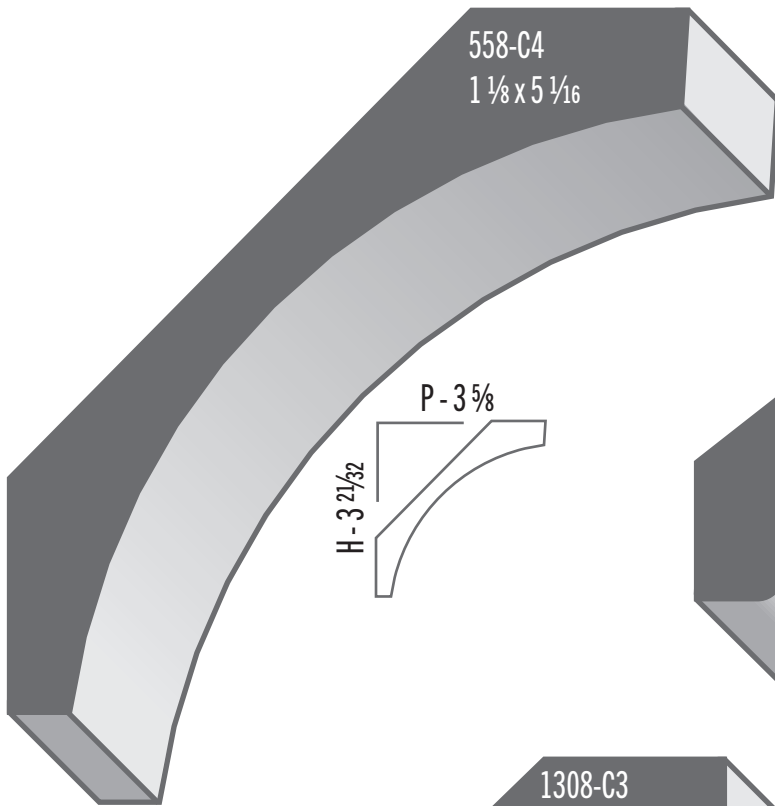


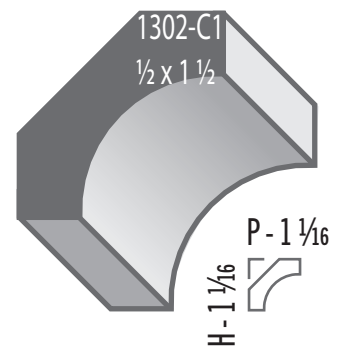
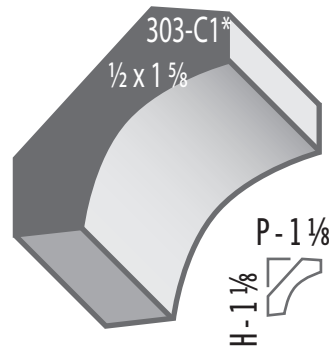
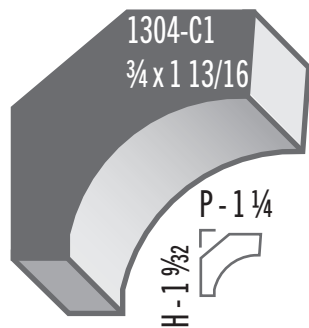
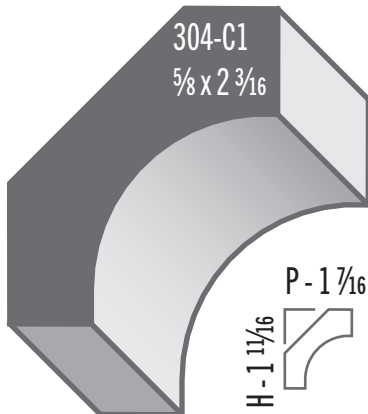
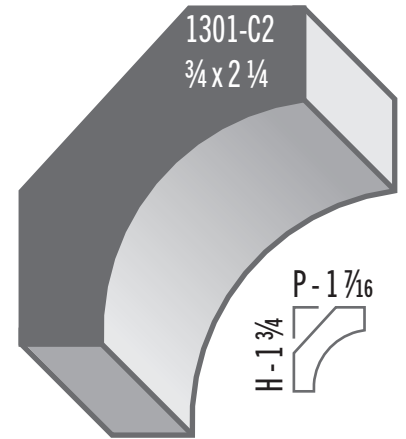
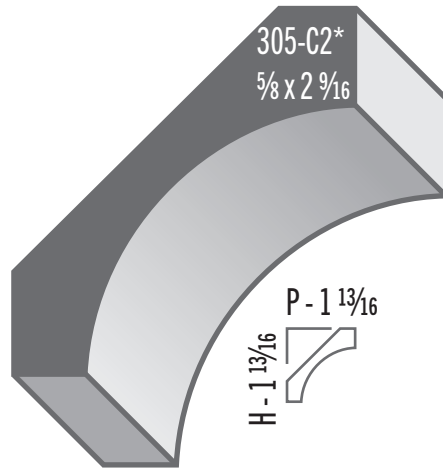
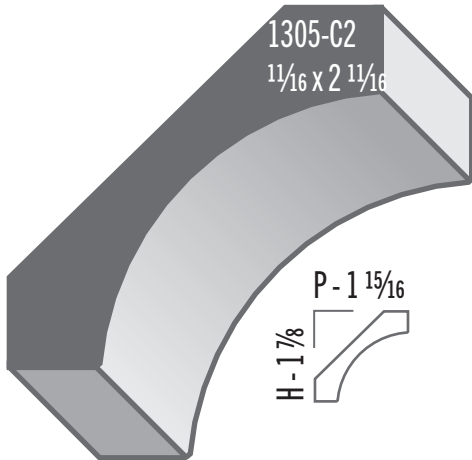
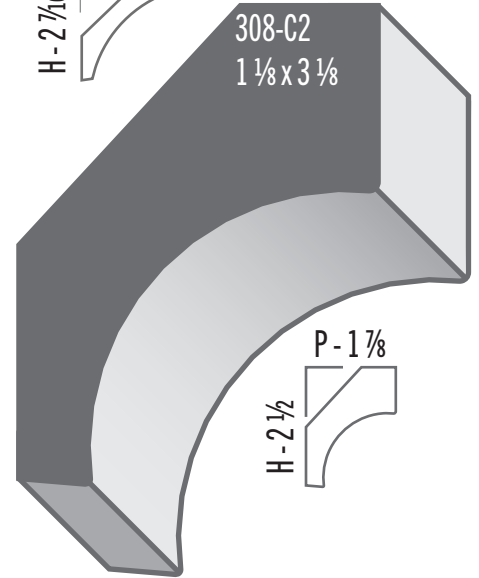
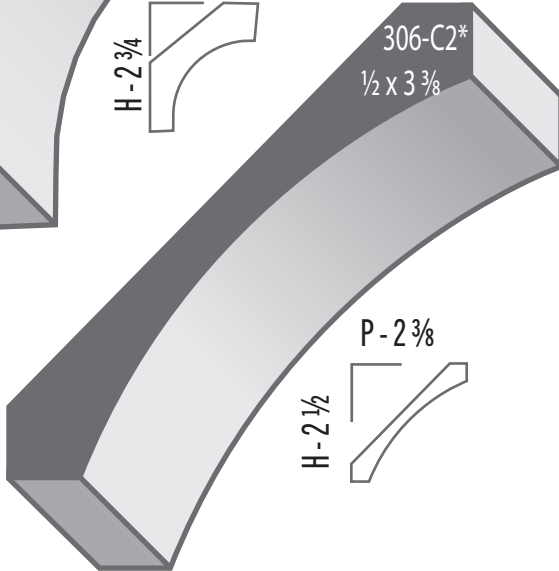
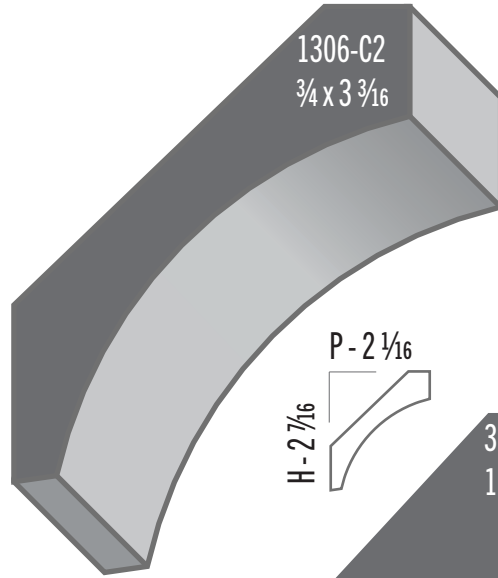
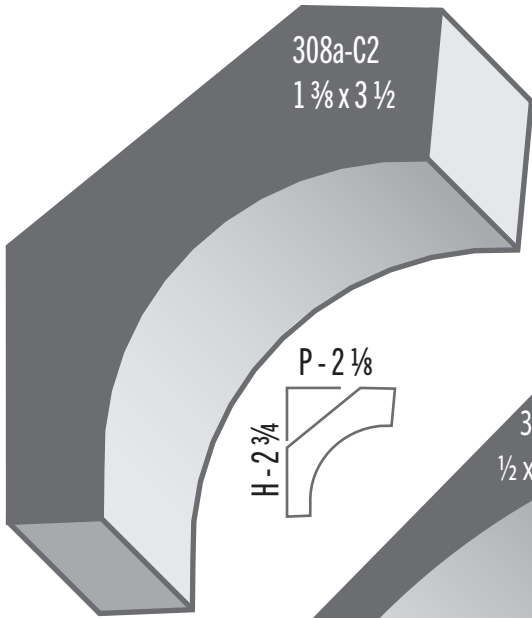


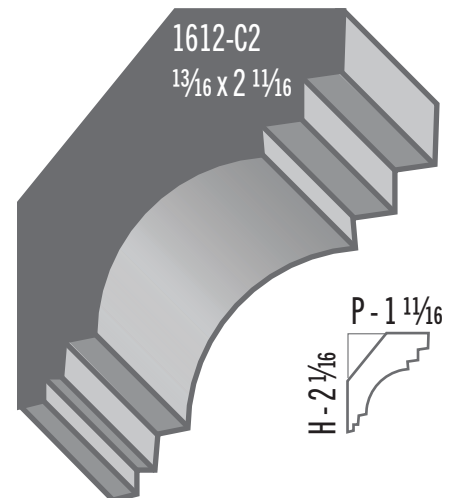
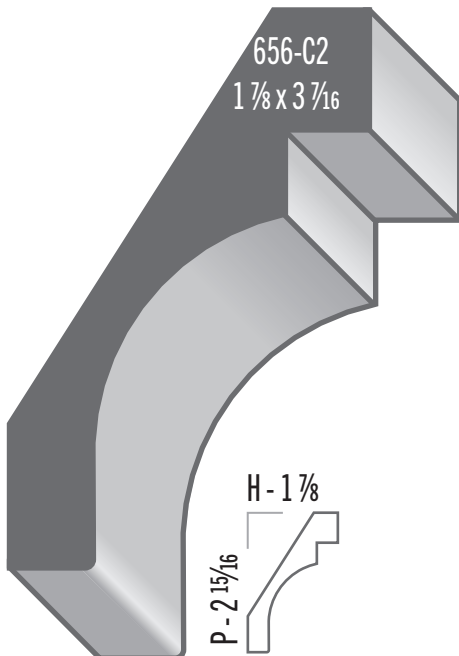
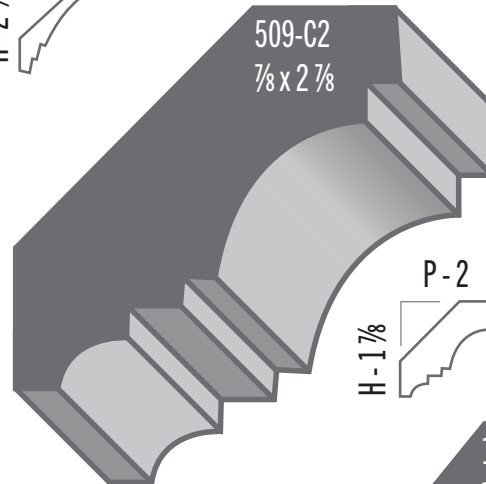
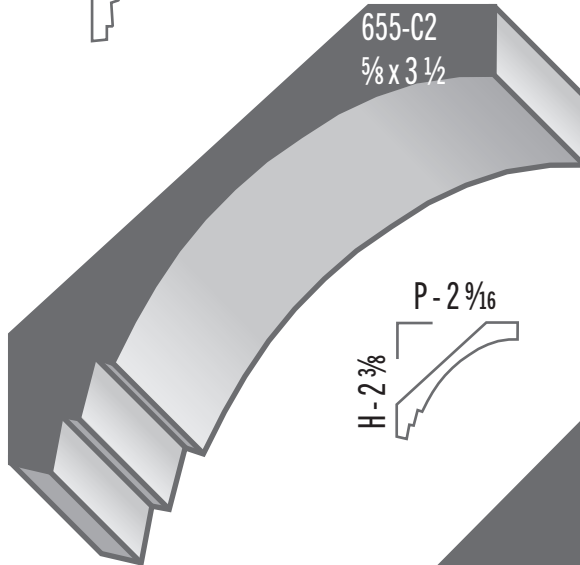
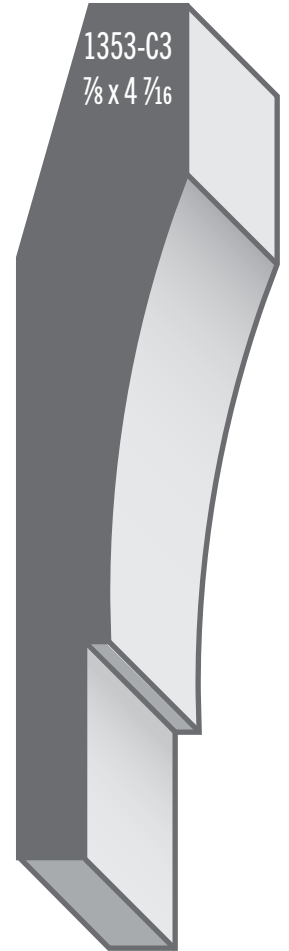
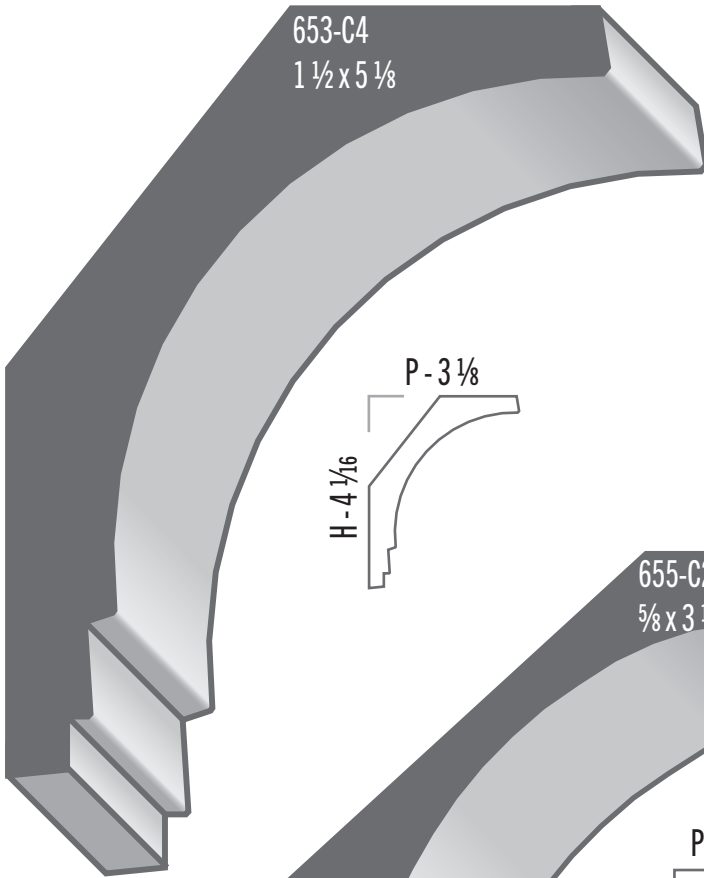


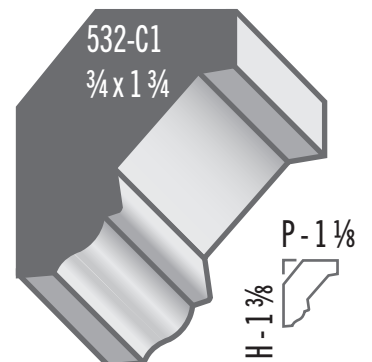
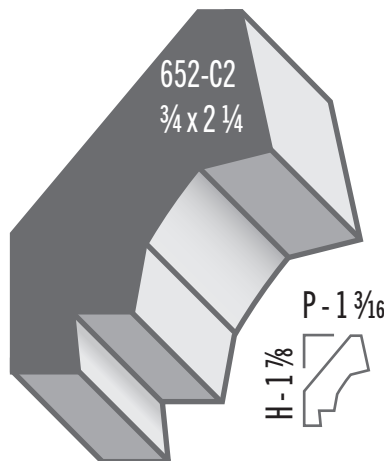
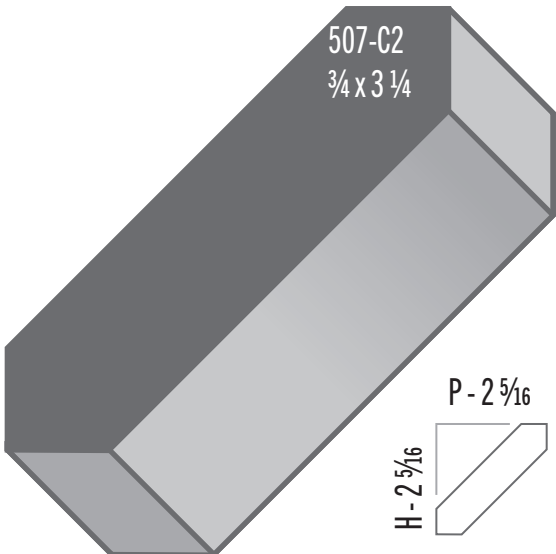
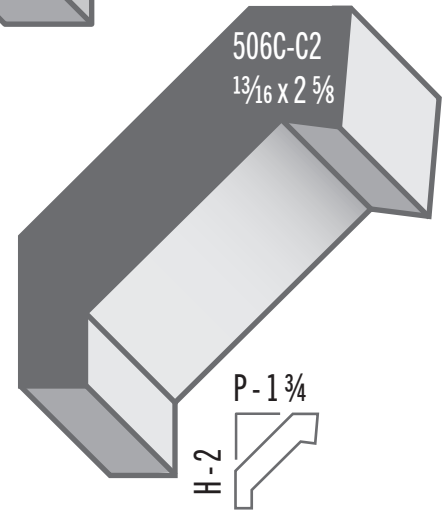
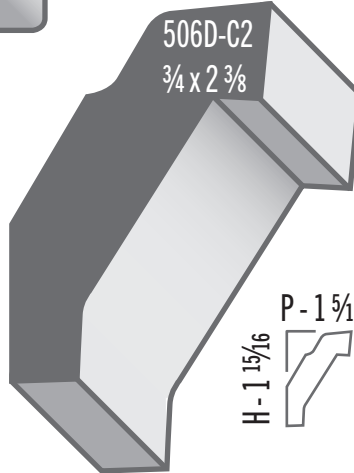
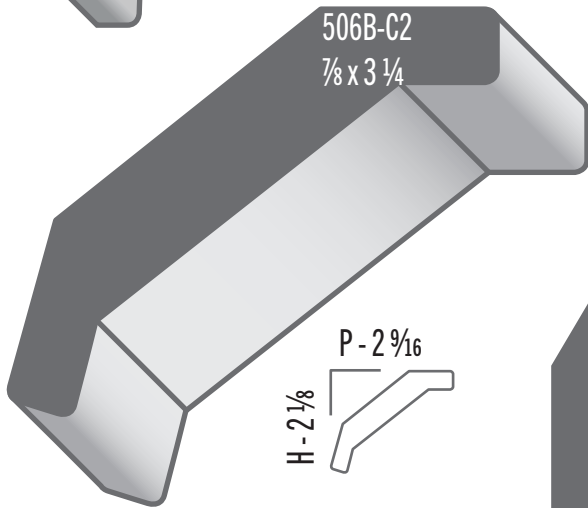
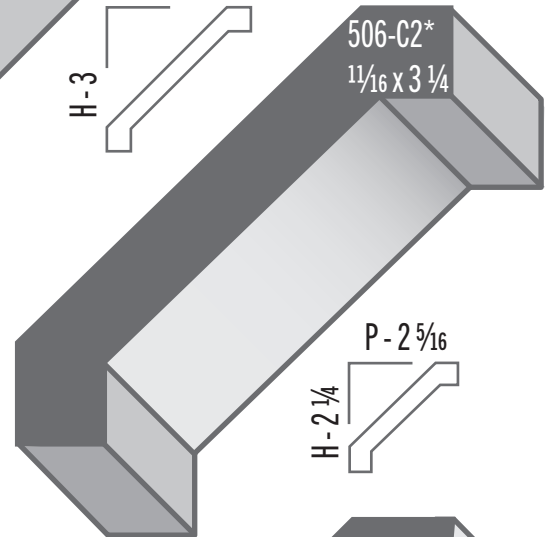
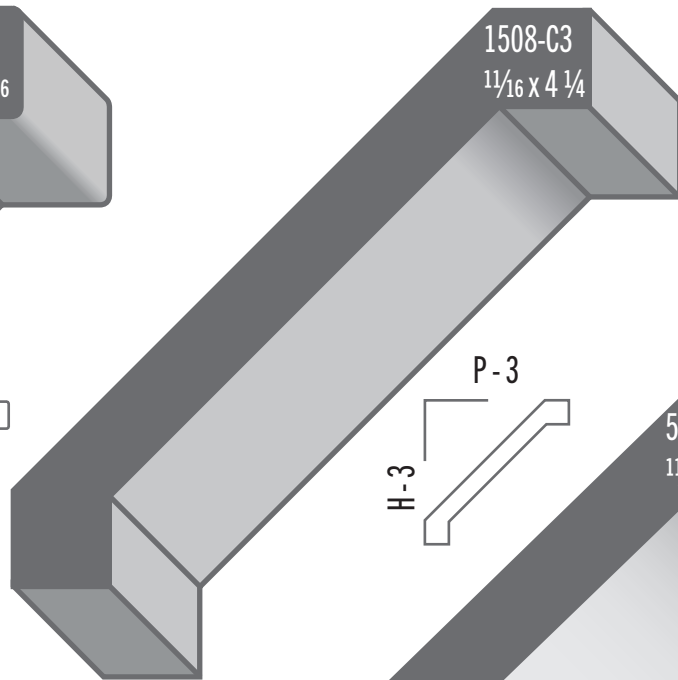
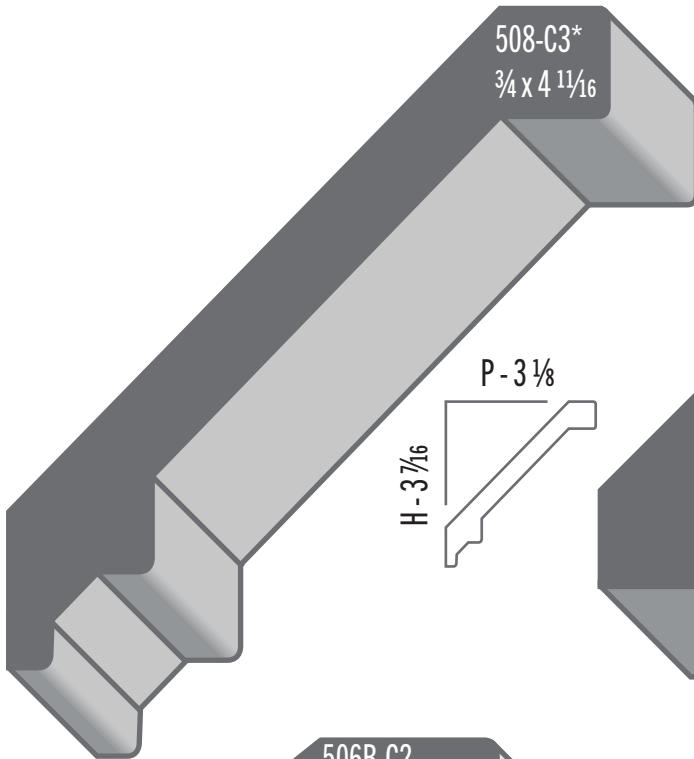












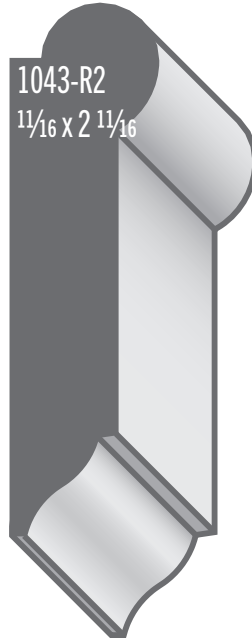




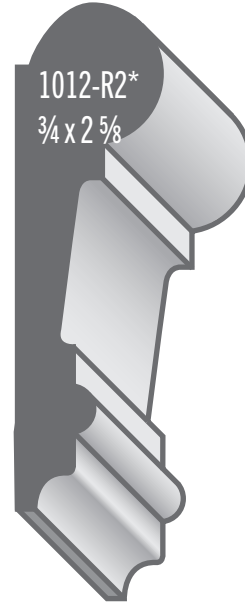
1017-R2  
3/4 x 3



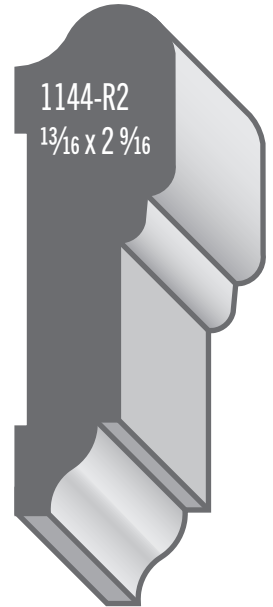
1053-R2  
13/16 x 2 7/8



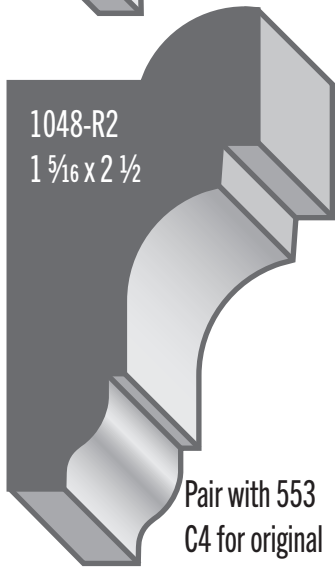
1043-R2  
1 1/16 x 2 11/16



1012-R2\*  
3/4 x 2 5/8



1144-R2  
13/16 x 2 9/16



1048-R2  
1 5/16 x 2 1/2

Pair with 553  
C4 for original  
buildup



1013-R2\*  
3/4 x 2 1/2



1002-R2  
1 1/16 x 2 1/2



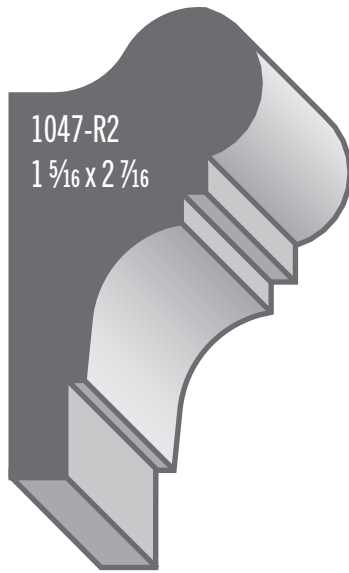
1044-R2  
1 x 2 1/2



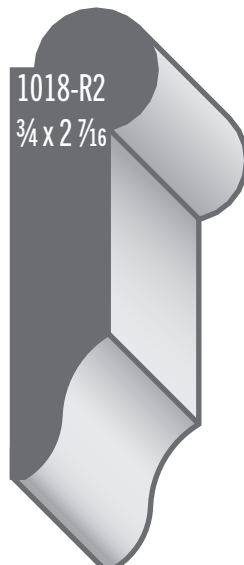
1045-R2  
13/16 x 2 1/2



1020-R2  
3/4 x 2 1/2



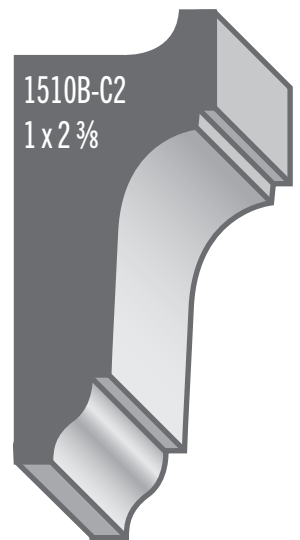
1047-R2  
1 5/16 x 2 7/16



1018-R2  
3/4 x 2 7/16



1042-R2  
3/4 x 2 3/8



1510B-C2  
1 x 2 3/8

