



Section A - Crowns & Picture Rails



McCOY MILLWORK

Custom Shop Services

For custom profiles pricing is determined by the chosen species of wood and quantity. Provide the following:

1. A sample or scale drawing of the profile.
2. Amount of moulding needed in Lineal Feet.
3. Preferred species of wood.
4. Preferred final finish (paint or stain).

Send us your information via email or come in for a quote. You can expect to hear from us regarding pricing in 2 days.

Manufacturing time varies: 2 days-2 weeks.

Profile #	Pg #	Profile #	Pg #	Profile #	Pg #	Profile #	Pg #
040 C4 Crown	26	479-P2 Bed Moulding	6	547-C2 Bed Moulding	4	633-C4 Crown	17
043-C4 Crown	10	505-R2* Picture Rail	40	548-C2 Crown	24	634-C3 Crown	16
132-R2 Picture Rail	40	506B-C2 Crown	37	549-C2 Crown	24	635-C2 Crown	23
303-C1* Cove	35	506-C2* Shaker Cove	37	550-C4* Cove	33	636-C2 Crown	23
304-C1 Cove	35	506C-C2 Shaker Cove	37	551-C2 Crown	24	638B-C3 Crown	17
305-C2* Cove	35	506D-C2 Crown	37	‡ 552-C4 Cove	32	638-C3 Crown	17
306-C2* Cove	35	507-C2 Crown	38	553-C4 Cove	33	639-C3 Crown	12
307-C2 Cove	34	508-C3* Shaker Cove	37	554-C4 cove	32	640-C2 Crown	30
308A-C2 Cove	34	509-C2 Cove	36	‡ 556-C4 Cove	33	641-C2 Crown	28
308-C2 Cove	35	510-C2 Cove	29	‡ 558-C4 Cove	13, 34	642-C2 Crown	26
309-C1 Bed Moulding	5	511B-C2 Crown	9	558-C4 Cove Crown	34	643-C2 Crown	15
309-C2 Bed Moulding	5	511-C2 Cove	29	570B-C4 Crown	8	643-C3 Crown	14
310-C1* Bed Moulding	5	511C-C2 Crown	9	570-C4 Crown	7	644-C2 Crown	22
313-C4* Crown	12	511D-C2 Crown	9	571-C4 Crown	11	645-C3 Crown	15
315b-C2 Crown	13	511E-C2 Crown	9	572-C4 Crown	11	646-C4 Crown	10
315-C2* Crown	24	514-C2* Shingle	9	573-C4 Crown	8	647-C4 Crown	30
316-C1 Crown	9	515-C2* Crown	9	574-C4 Crown	7	648-C3 Crown	28
317-C2 Crown	20	519-C2 Crown	9	575-C4 Crown	7	649-C4 Cove	30
318-C2 Bed Moulding	5	‡ 521-C3 Crown	8	576-C4 Crown	15	650B-C4* Cove	27
319-C2 Crown	13	523-M1* Shingle	9	577-C3 Crown	15	650-C4* Crown	28
321-C2 Bed Moulding	5	526-C2 Bed Moulding	5	577-C4 Crown	11	651-C4 Crown	27
350B-C1 Crown	14	532-C1 Crown	38	608-C2 Crown	14	652-C2 Shaker Crown	38
350-C1* Crown	14	537-C2 Bed Moulding	9	612-C2 Crown	23	652-C4 Crown	27
‡ 353-R2 Cove	36	538-C2 Crown	15	612-C4 Crown	30	653-C4 Cove	36
353-R2 Cove Crown	36	539-C2 Crown	26	613-C2 Crown	28	‡ 654-C4 Cove	27
354-C2* Crown	14	540-C2 Cove	29	614-C2 Crown	26	655-C2 Cove	36
355-C2 Crown	14	540-C4 Crown	21	615-C1 Crown	23	656-C2 Cove	36
370B-C2 Crown	20	541-C4* Cove/Crown	29	615-C2 Crown	23	657-C2 Crown	28
370-C2 Crown	20	542B-C4 Crown	25	616-C4 Crown	26	658-C3 Cove Crown	28
403-M1 Crown	36	542-C3 Crown	24	617-C2 Crown	23	712-C3* Crown	18
447-P1 Bed Moulding	6	544-C3 Crown	20	618-C2 Crown	23	713-C3 Crown	18
474-P1 Bed Moulding	6	544-C4 Crown	20	619-C3 Crown	22	713-C4 Crown	18
475-P1 Bed Moulding	6	545-C3 Crown	15	629-C3 Crown	16	‡ 716 C4 Crown	16
476-P1 Bed Moulding	6	546-C2 Bed Moulding	20	631-C2 Crown	18	716-C4 Crown	16
477-P1 Bed Moulding	6	‡ 546-C4 Bed Moulding	4	632B-C2 Crown	22	717-C4 Crown	19
478 P1 Misc Mould	6	‡ 547B-C2 Bed Moulding	4	632-C2 Crown	23	718-C3 Crown	22



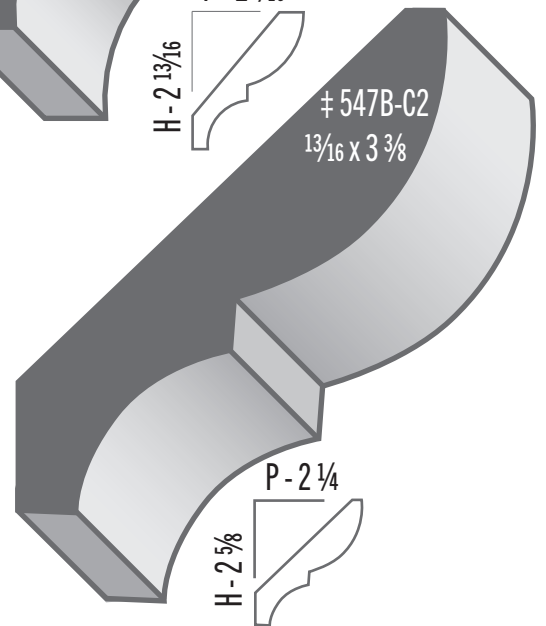
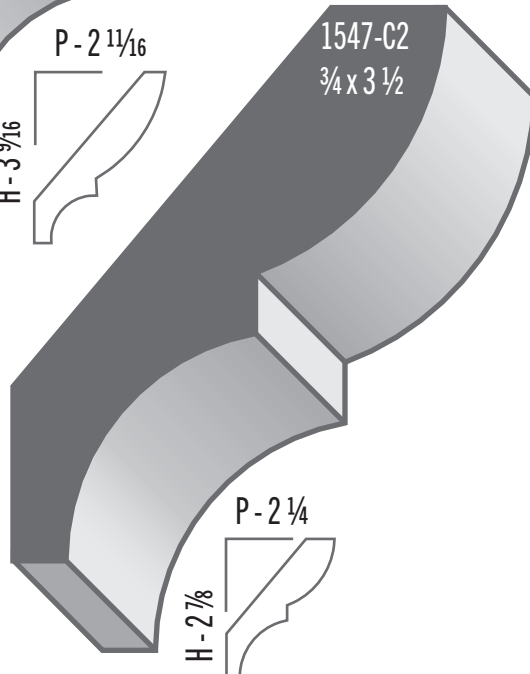
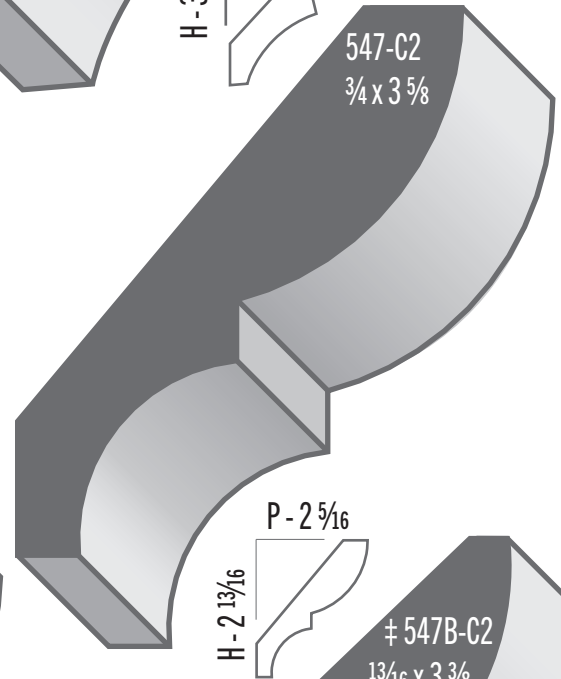
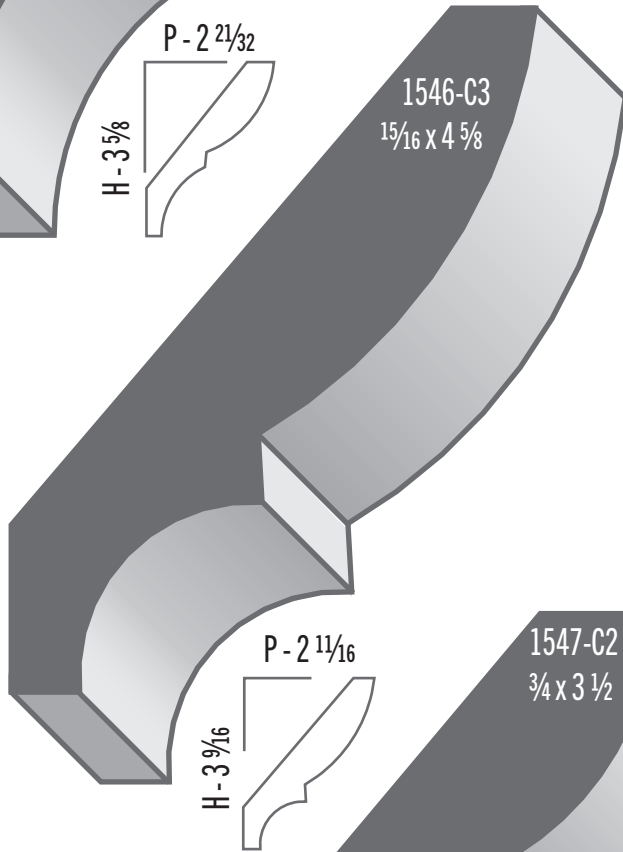
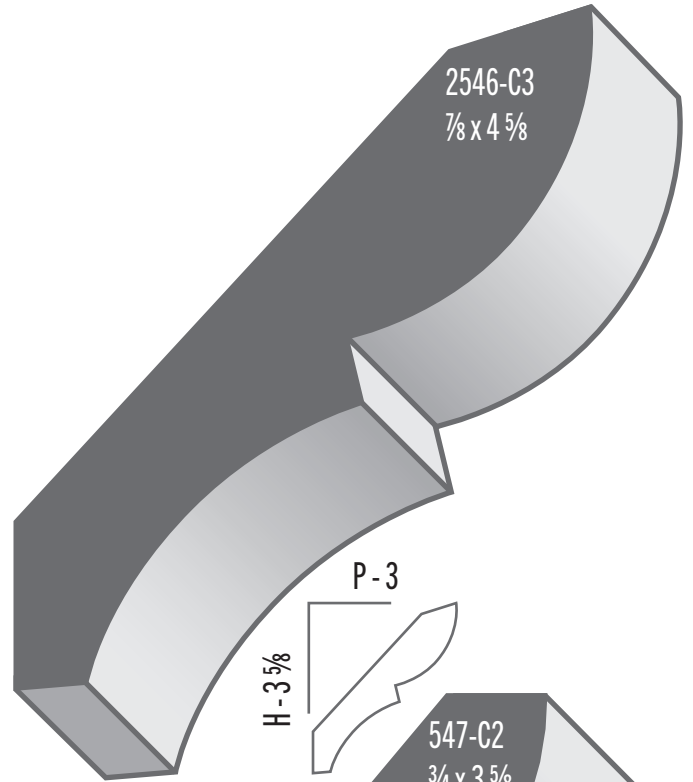
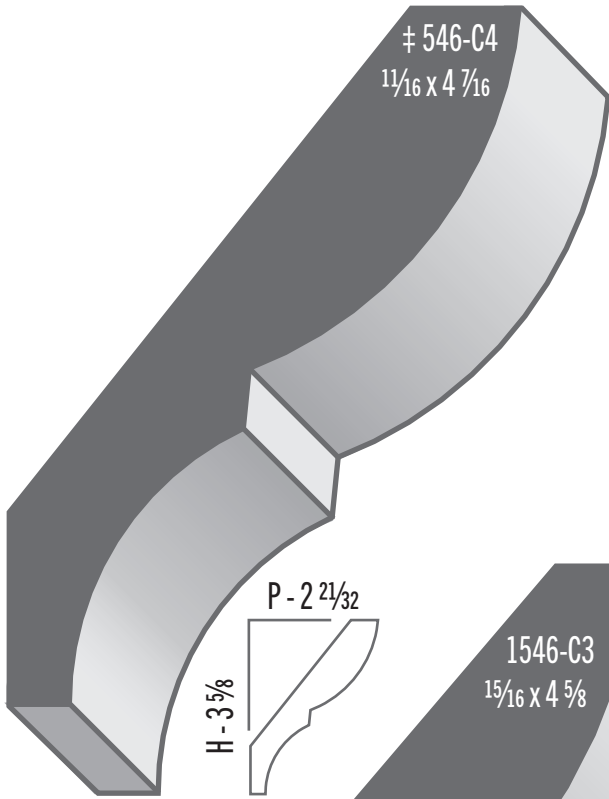
Profile #	Pg #	Profile #	Pg #	Profile #	Pg #	Profile #	Pg #
719-C4 Crown	19	1309-C2 Bed Moulding	5	2309-C2 Bed Moulding	6		
760B-M2 Bed Moulding	6	1310-C1 Bed Moulding	5	2310-C1 Bed Moulding	5		
760-M1 Bed Moulding	6	1311-C2 Bed Moulding	5	2311-C2 Bed Moulding	5		
762-M1 Bed Moulding	6	‡ 1312-C2 Crown	13	2312-C2 Crown	13		
1000-R2 Picture Rail	41	1313-C2 Crown	13	2314-C4 Crown	12		
1001-R2 Picture Rail	40	1314-C4 Crown	12	2350-C4 Crown	25		
1002-R2 Picture Rail	39	1315-C2 Crown	13	2351-C3 Crown	25		
1003 R2 Picture Rail	41	1316-C3 Crown	12	2506-C1 Shaker Crown	37		
1004-R2 Picture Rail	40	1317-C3 Crown	12	2510-C2 Cove	36		
1006B-R1 Picture Rail	41	‡ 1319-C2 Cove	29	2513-C2 Crown	8		
1006-R1 Picture Rail	41	1350-C1 Crown	25	2520-R2 Picture Rail	39		
1007-R1 Picture Rail	41	1351-C1 Crown	14	2521-C3 Crown	8		
1008-R1 Picture Rail	41	1352B-C2 Crown	16	2527-C3 Shaker crown	37		
1009-R1 Picture Rail	41	1352-C2 Crown	14	2532-C2 Shaker crown	38		
1010-R1* Picture Rail	41	1353-C3 Cove	36	2545-C2 Crown	16		
1011-R1 Picture Rail	41	1508-C3 Shaker Cove	37	2546-C3 Bed Moulding	4		
1012-R2 Picture Rail	39	1510B-C2 Picture Rail	40	2551-C2 Crown	24		
1013-R2* Picture Rail	39	1511B-C2 Crown/Corbel	29	2552-C1 Shaker Crown	37		
1014B-R1 Picture Rail	40	1516-P1 Picture Rail	41	2553-M2 Bead	31		
1014-R1 Picture Rail	41	1517-P1 Shingle	9	2554-C4 Cove	31		
1015-R2 Picture Rail	40	1546-C3 Bed Moulding	4	2609-C2 Crown	14		
1016-R1* Picture Rail	40	1547-C2 Bed Moulding	4	2610-C2 Crown	13		
1017-R2 Picture Rail	39	1548-C3 Crown	20	2642-C2 Cove	30		
1018-R2 Picture Rail	39	1549-C4 Crown	24	2655-C2 Cove	36		
1019-R1 Picture Rail	41	1550-C3 Cove Crown	34	2713-C4 Crown	16		
1020-R2 Picture Rail	39	1607-C4 Crown	14	2714-C4 Crown	21		
1040-R2 Picture Rail	40	1608-C2 Crown	14	2748-M2 Misc/Bed mould	6		
1041-R2 Picture Rail	40	1609-C2 Crown	14	3314-C2 Bed Moulding	5		
1042-R2 Picture Rail	40	1610-C2 Crown	13				
1043-R2 Picture Rail	39	1611-C2 Crown	26				
1044-R2 Picture Rail	39	1611-C3 Crown	26				
1045-R2 Picture Rail	39	1612-C2 Cove	36				
1046-R2 Picture Rail	41	1613-C2 Cove/ Crown	29				
1047-R2 Picture Rail	39	1638-C3 Crown	17				
1048-R2 Picture Rail	39	1639-C4 Crown	11				
1049-R2 Picture Rail	40	1640-C2 Crown	18				
1053-R2 Picture Rail	39	1641-C2 Crown	18				
1144-R2 Picture Rail	39	1704-R2 Picture Rail	40				
1191-R2 Picture Rail	40	1712-C3 Crown	22				
1192-R2 Picture Rail	40	1713-C4 Crown	17				
1301-C2 Cove Crown	35	1714-C3 Crown	21				
1302-C1 Cove	35	1716-C3 Crown	21				
1304-C1 Cove	35	1813-M2 Bed Moulding	6				
1305-C2 cove	35	2010-R1 Pict Rail	41				
1306-C2 Cove	35	2019-R1 Picture Rail	41				
1307-C2 Cove	34	2040-R2 Pict Rail	39				
‡ 1308-C3 Cove	34	2303-C1 Cove	35				

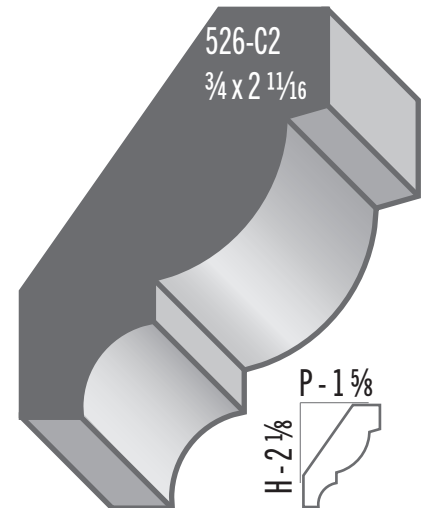
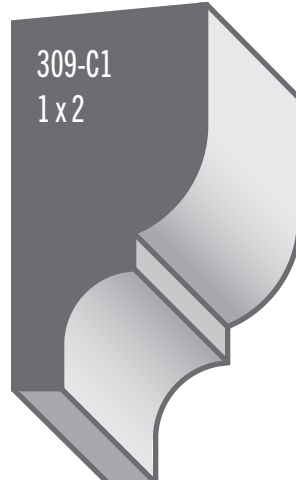
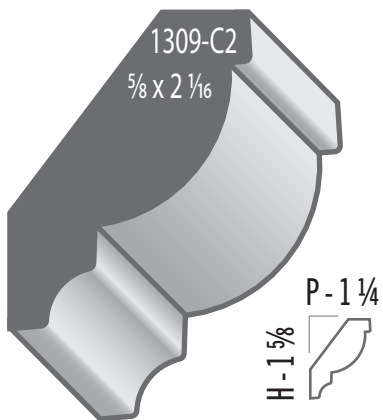
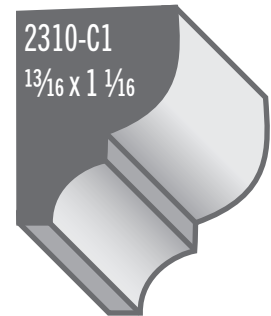
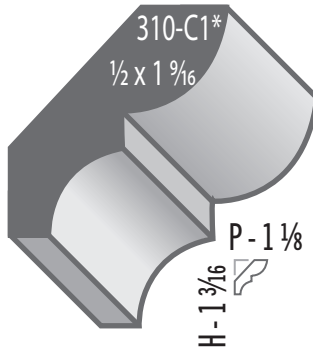
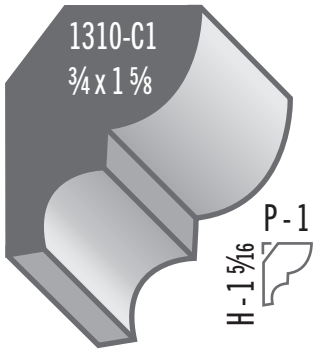
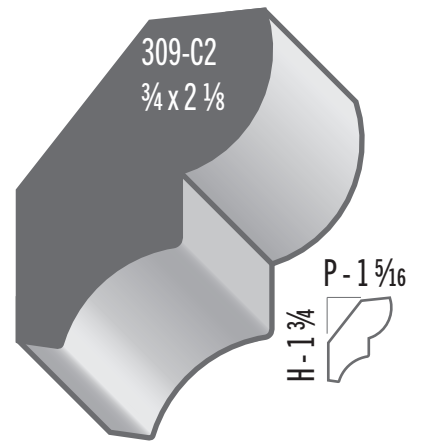
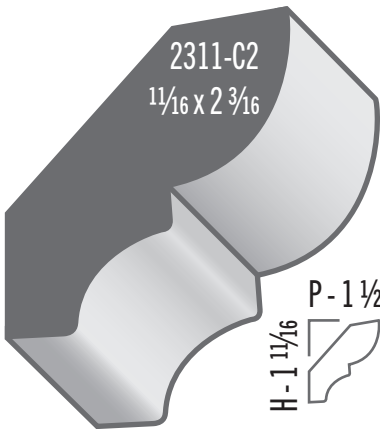
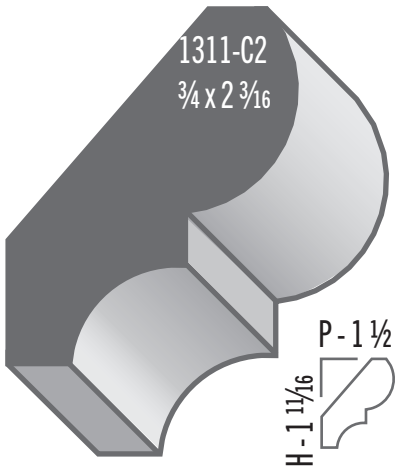
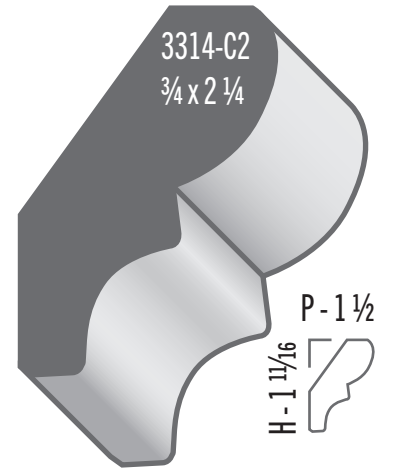
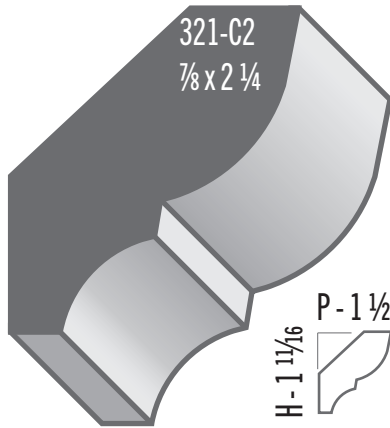
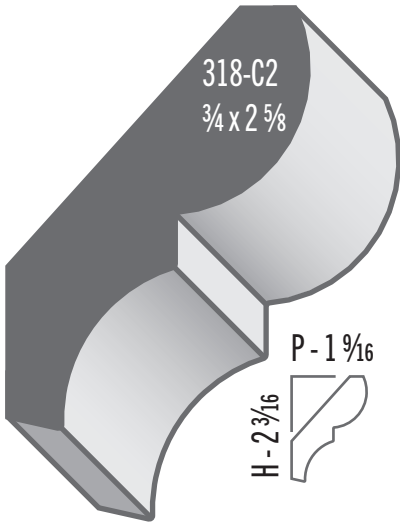
S

SNW-1010 Picture Rail 41



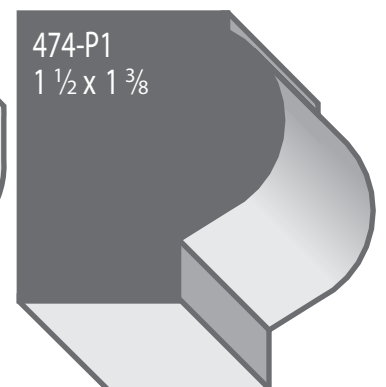
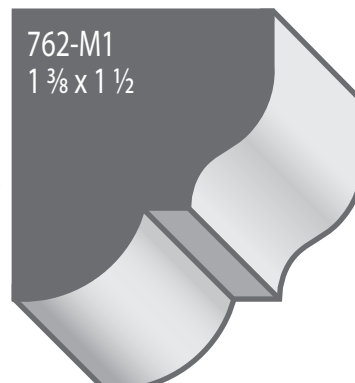
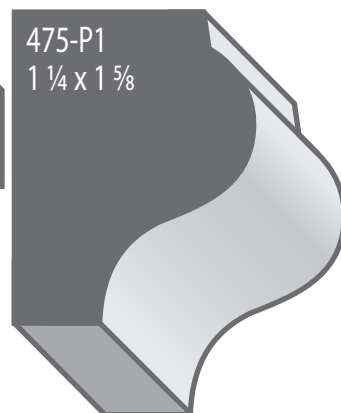
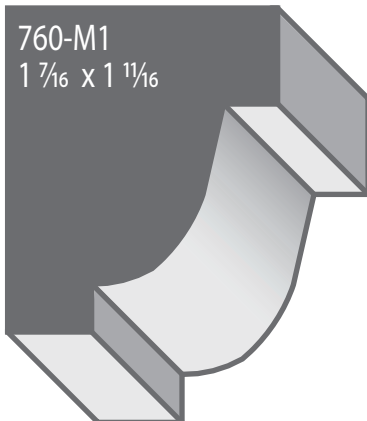
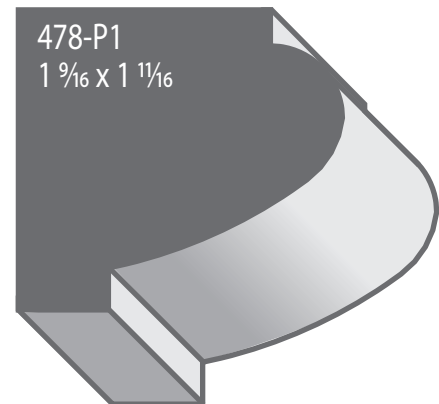
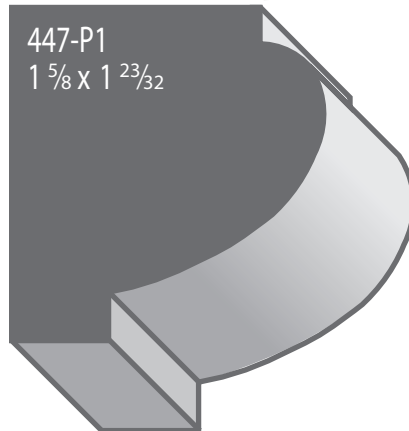
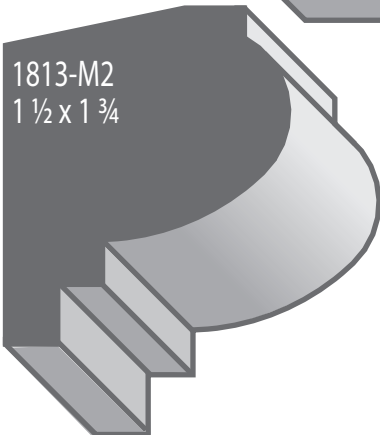
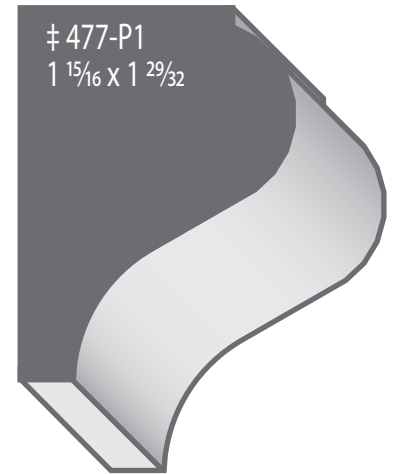
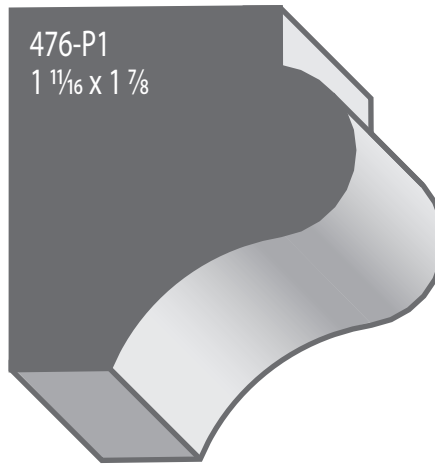
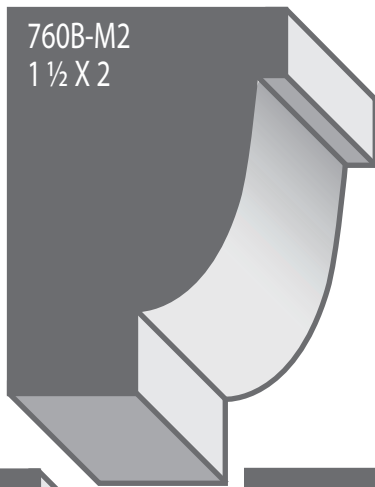
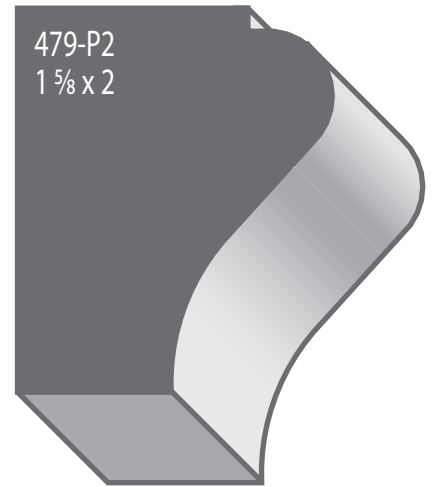
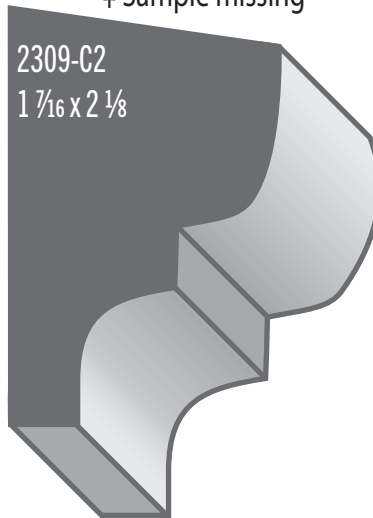
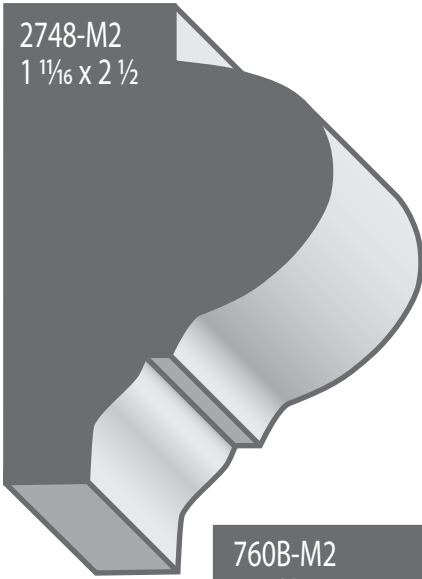
‡ Sample missing

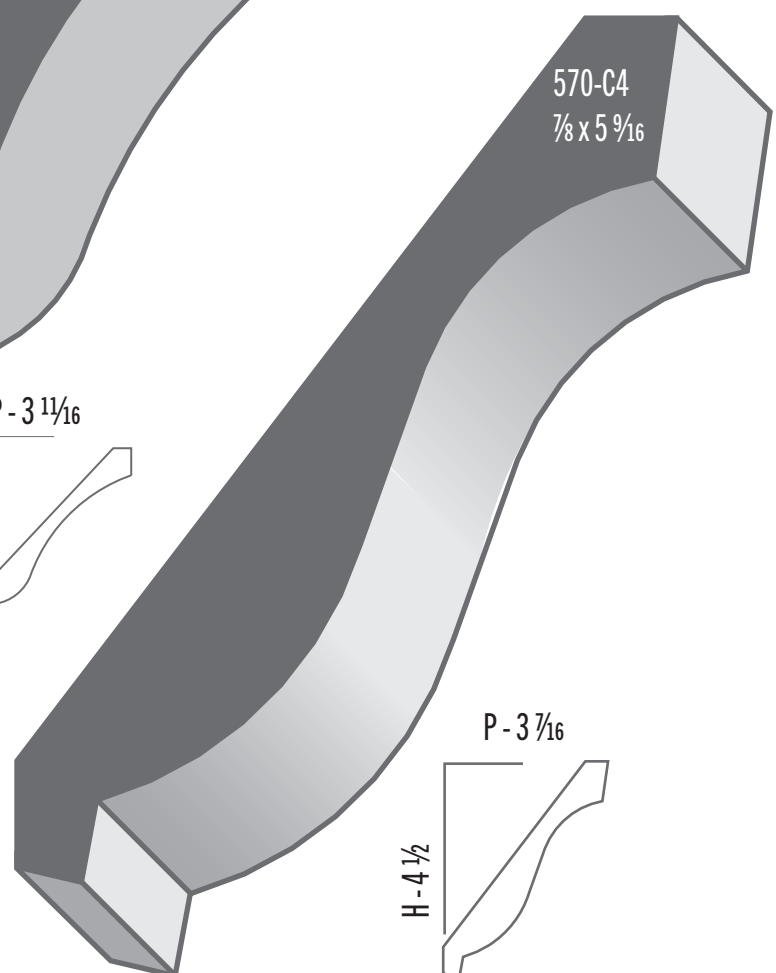
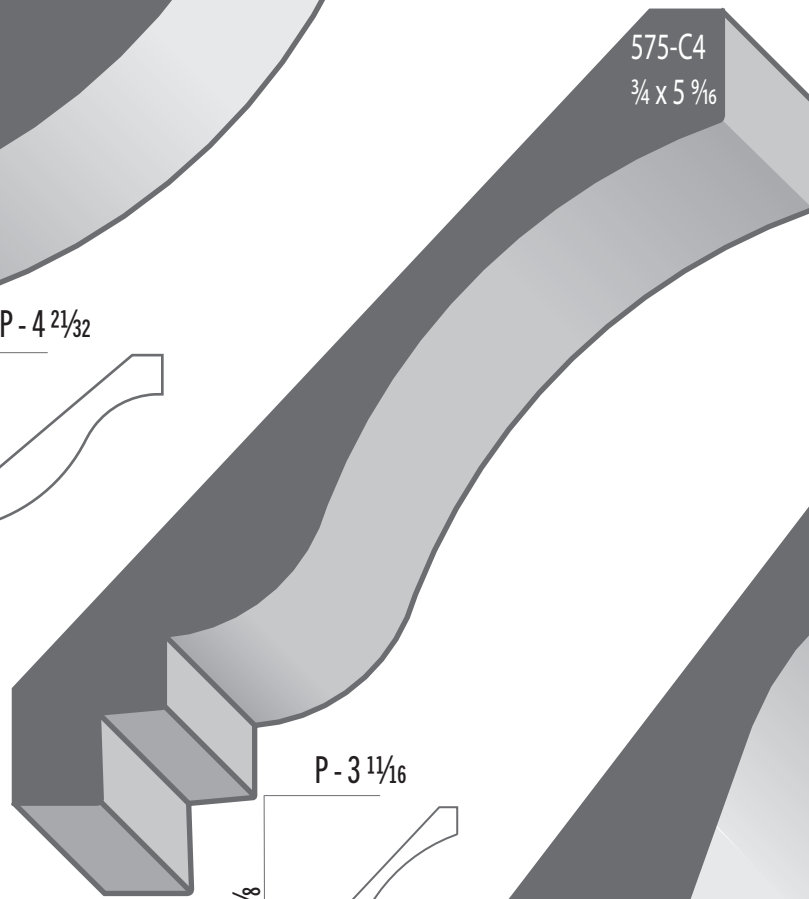
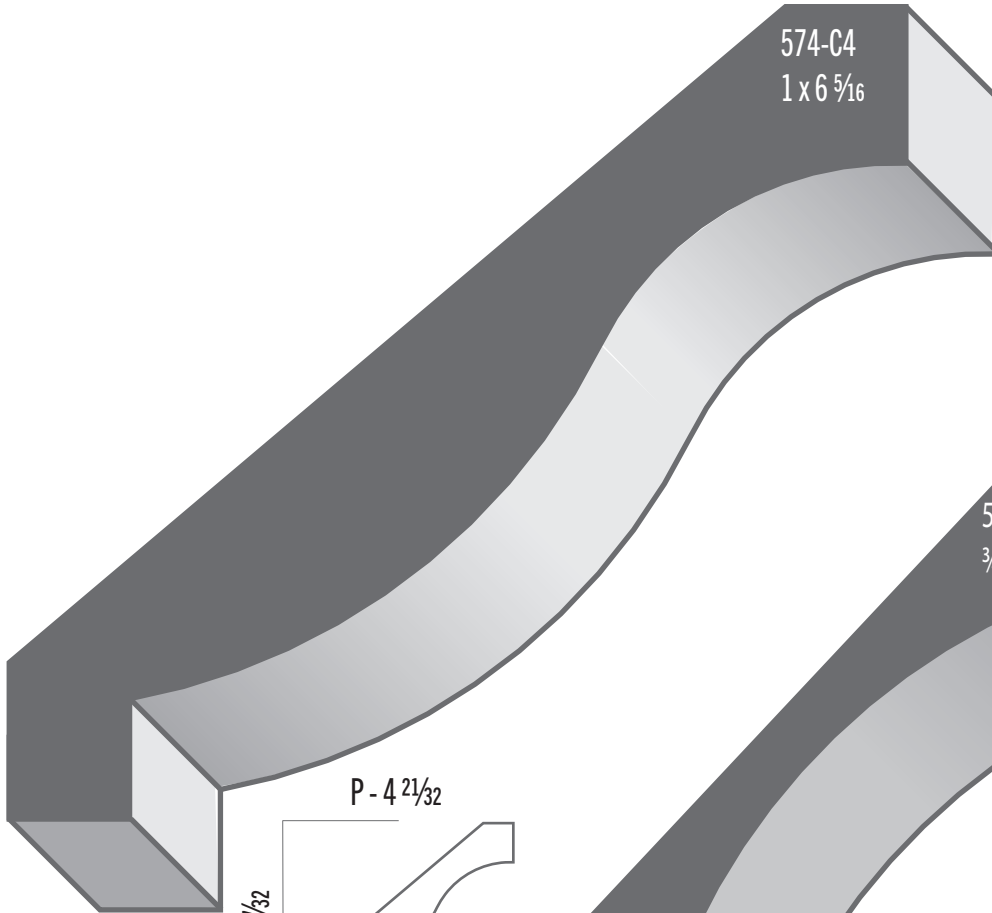






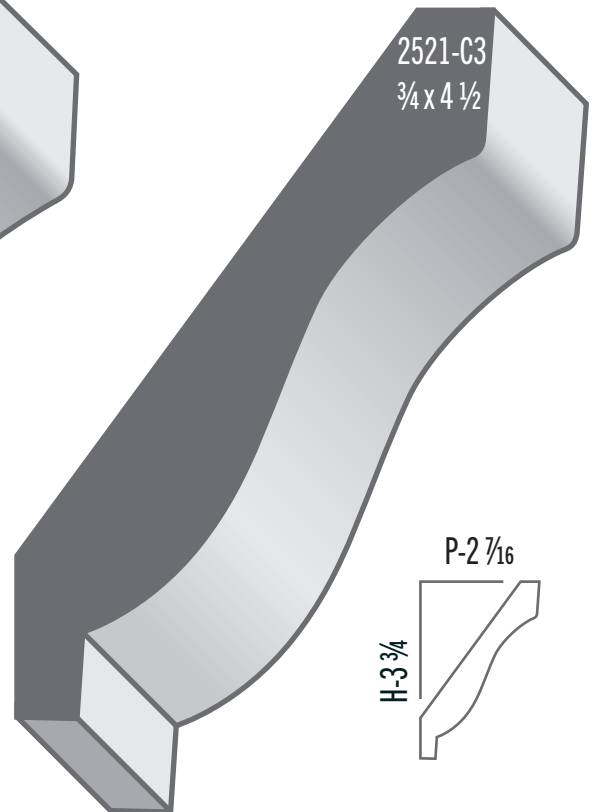
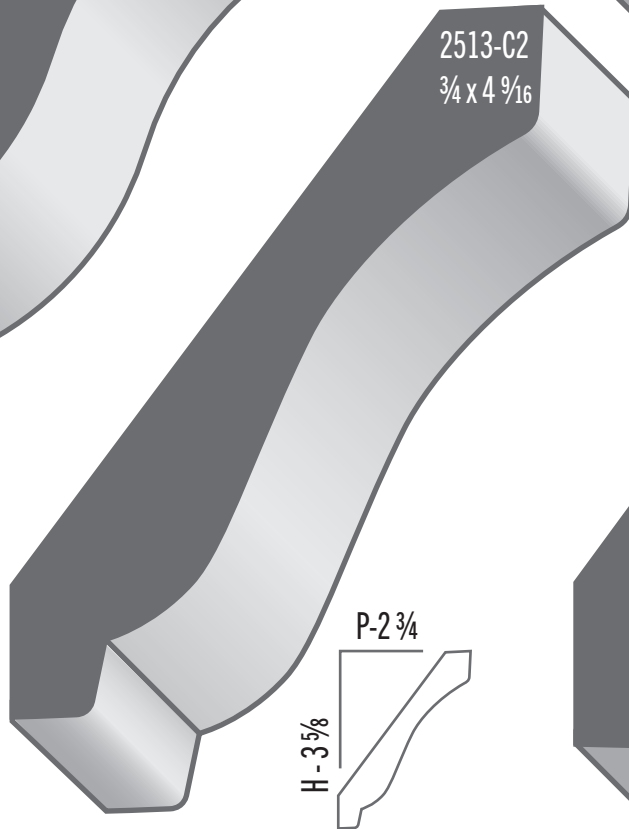
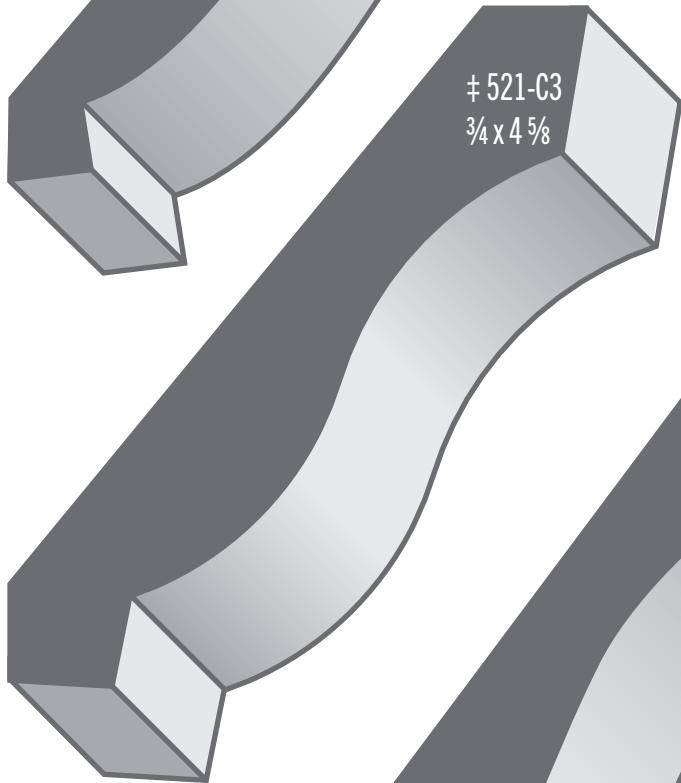
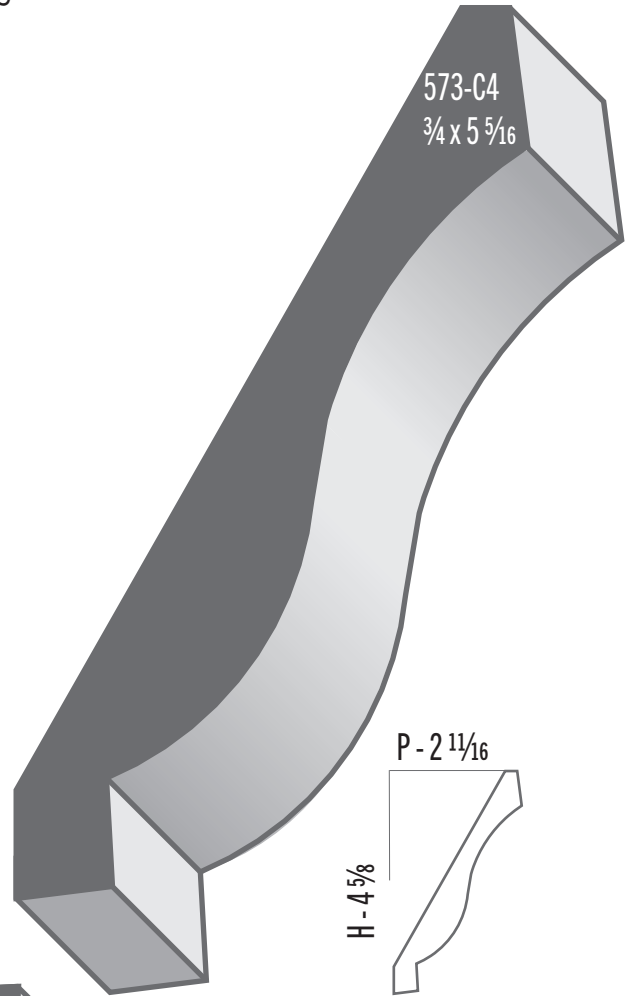
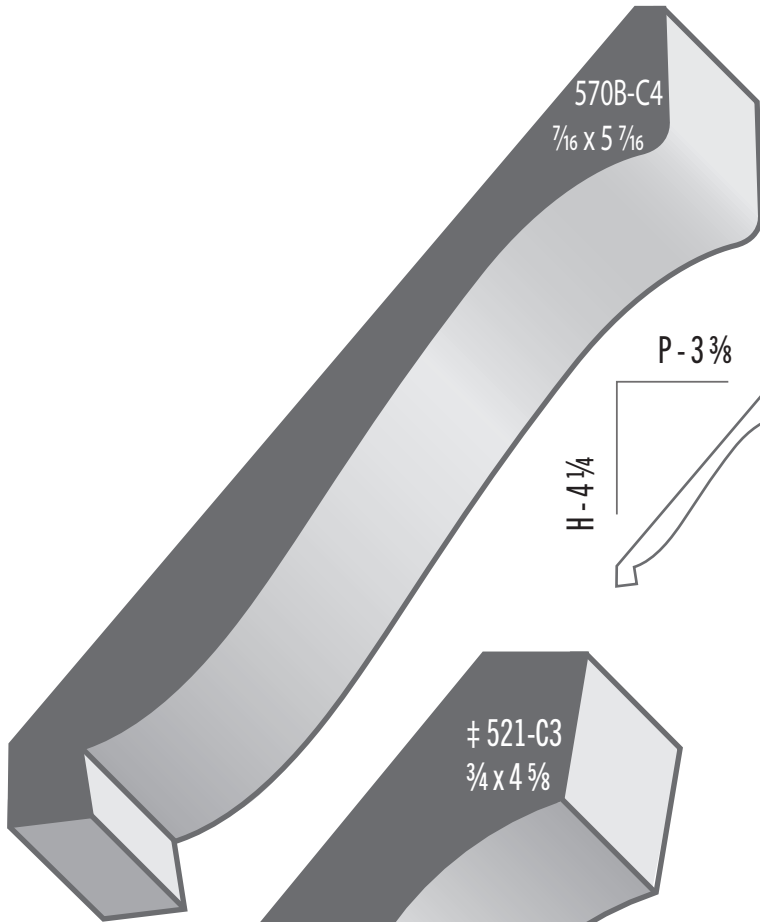
‡ Sample missing







‡ Sample missing

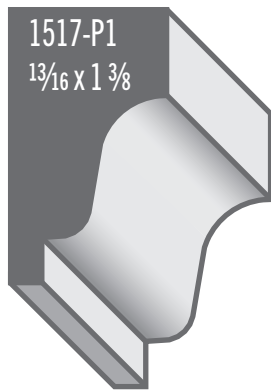




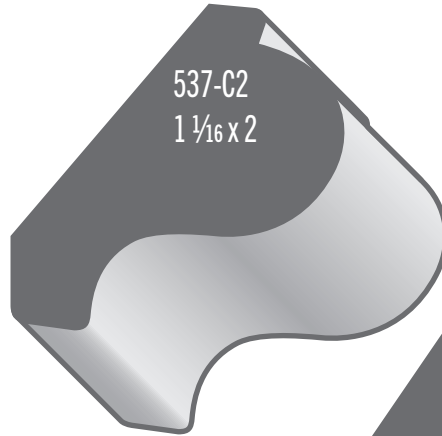
523-M1*
 $\frac{3}{4} \times 2$ this
 may also
 be made
 extened;
 ask the
 shop



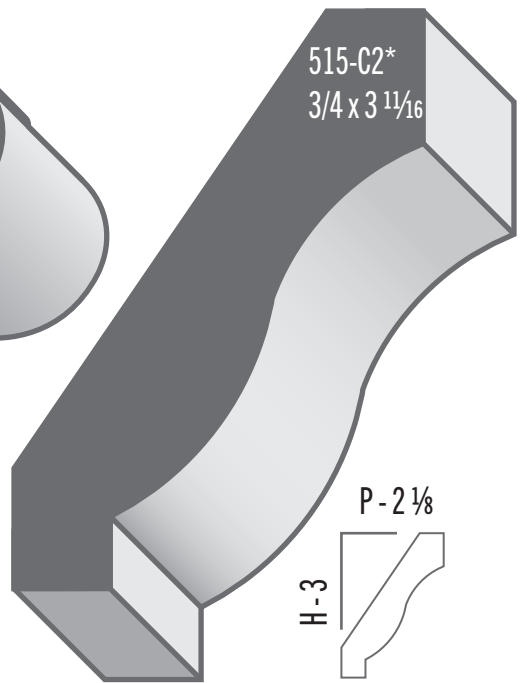
1517-P1
 $1\frac{3}{16} \times 1\frac{3}{8}$



537-C2
 $1\frac{1}{16} \times 2$




515-C2*
 $\frac{3}{4} \times 3\frac{11}{16}$




514-C2*
 $1\frac{3}{16} \times 2\frac{1}{4}$



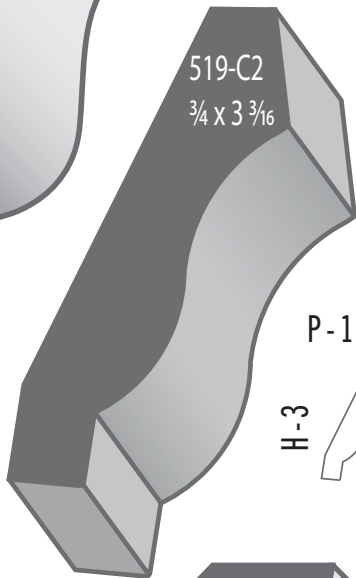
P - $1\frac{11}{16}$
 H - $1\frac{11}{16}$



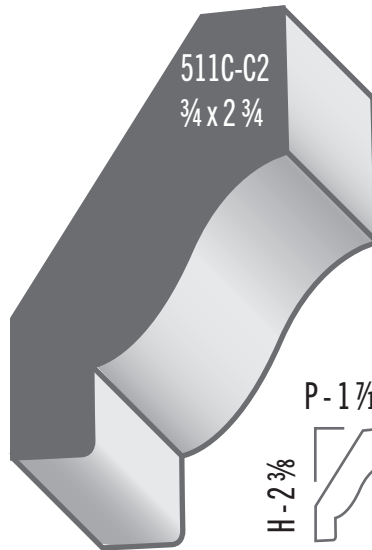
P - $2\frac{1}{8}$
 H - 3



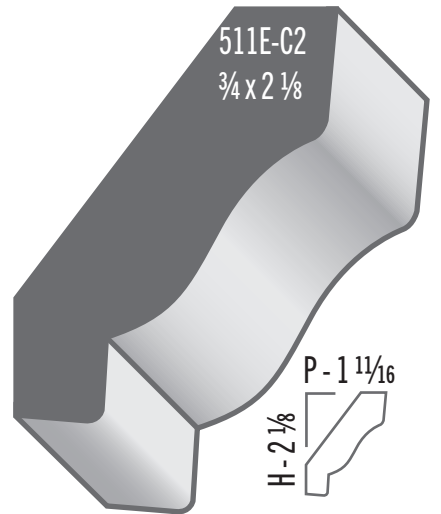
519-C2
 $\frac{3}{4} \times 3\frac{3}{16}$



511C-C2
 $\frac{3}{4} \times 2\frac{3}{4}$



511E-C2
 $\frac{3}{4} \times 2\frac{1}{8}$



P - $1\frac{5}{16}$

H - 3



P - $1\frac{7}{16}$

H - $2\frac{3}{8}$

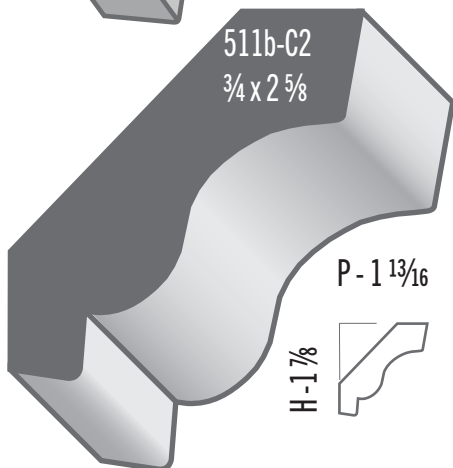


P - $1\frac{11}{16}$

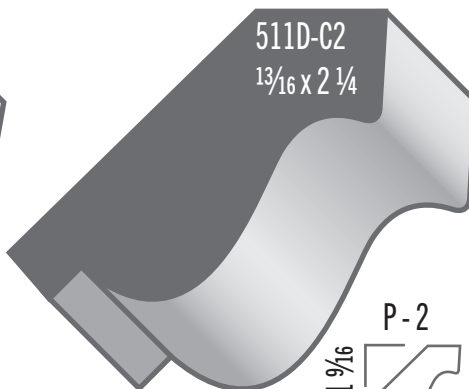
H - $2\frac{1}{8}$



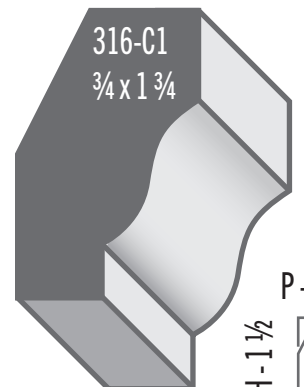
511b-C2
 $\frac{3}{4} \times 2\frac{5}{8}$



511D-C2
 $1\frac{3}{16} \times 2\frac{1}{4}$




316-C1
 $\frac{3}{4} \times 1\frac{3}{4}$



P - $1\frac{13}{16}$

H - $1\frac{7}{8}$



P - 2

H - $1\frac{9}{16}$



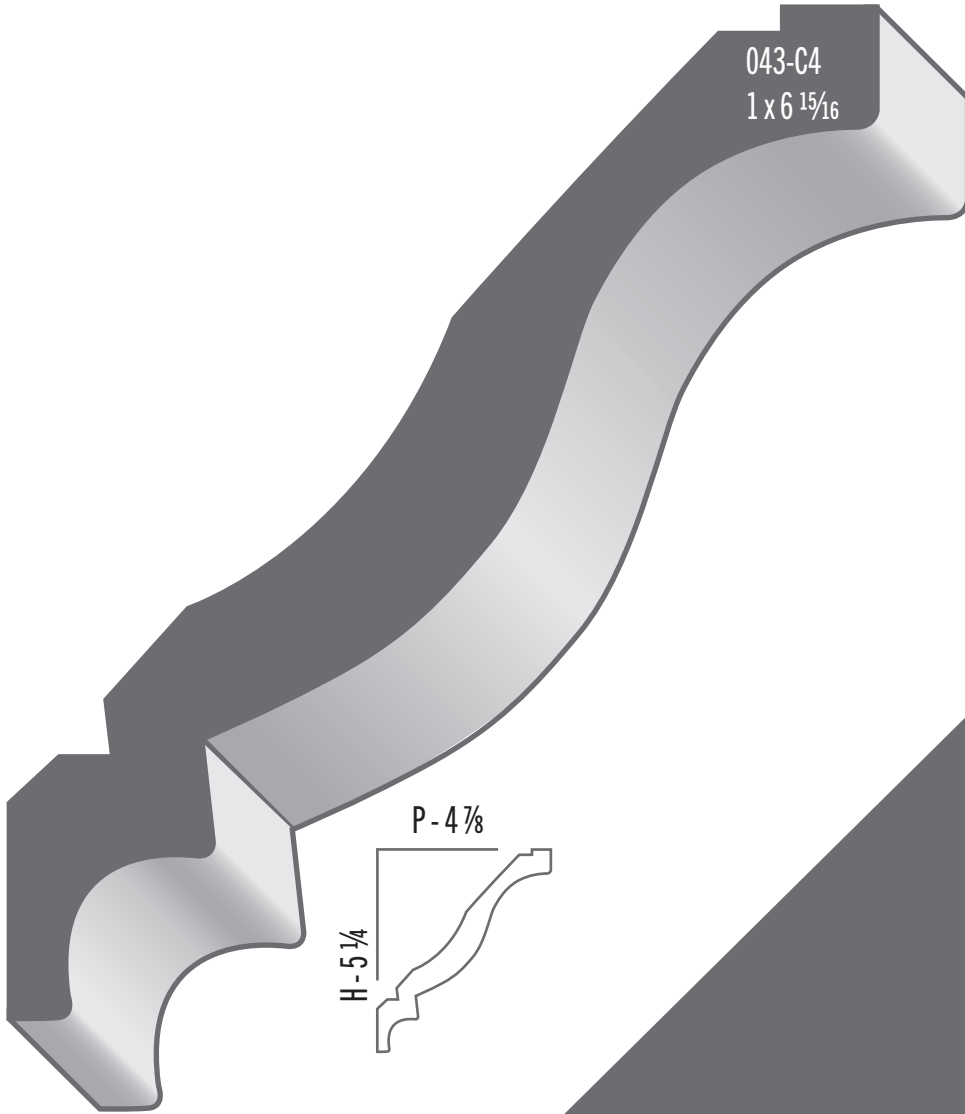
P - $1\frac{11}{16}$

H - $1\frac{1}{2}$

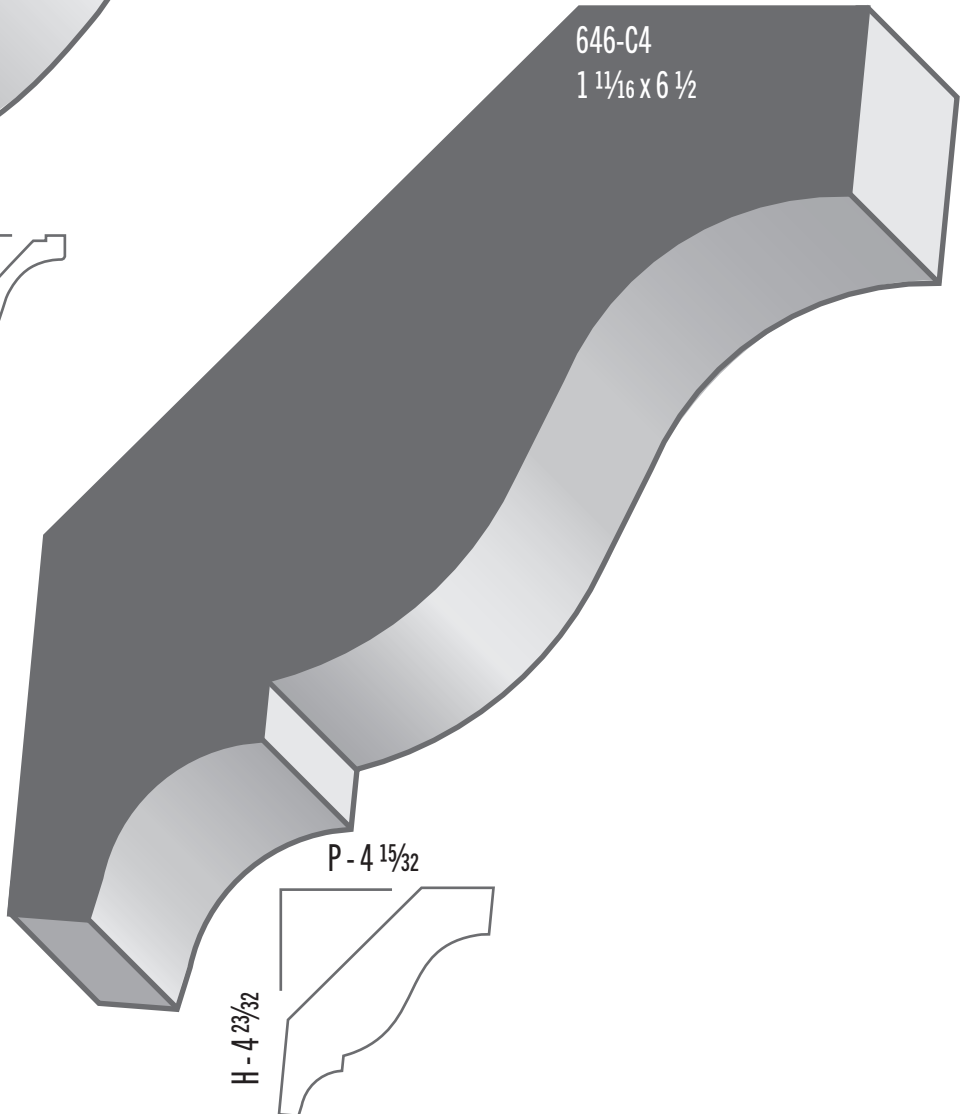


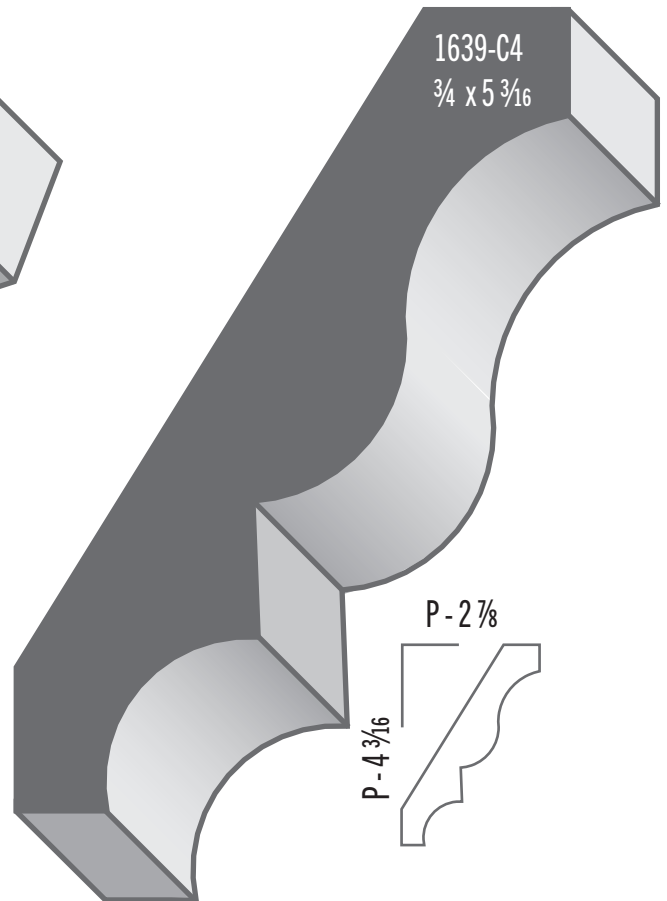
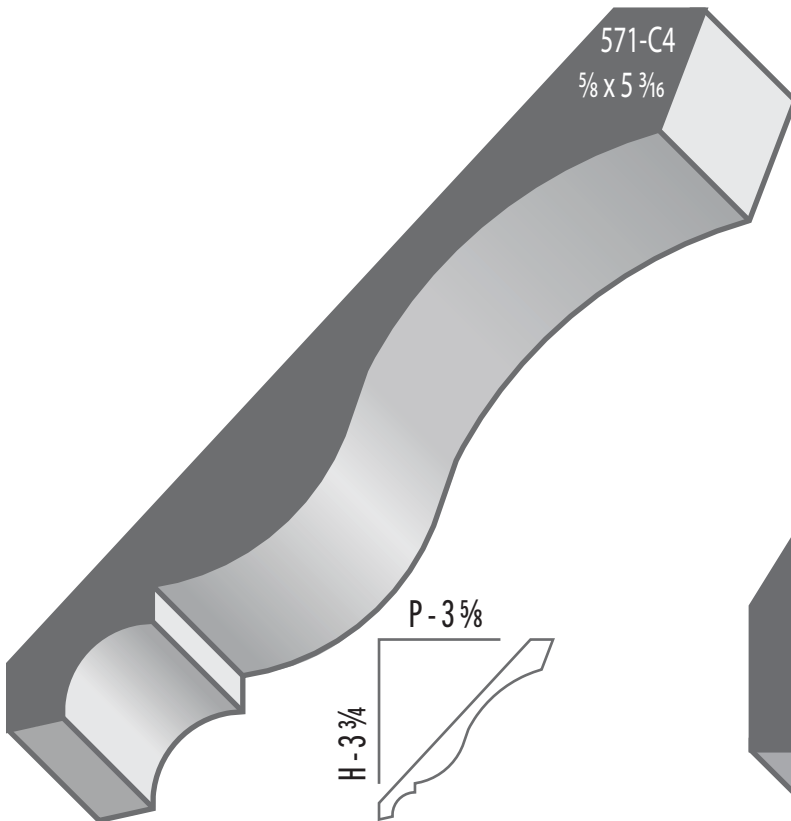
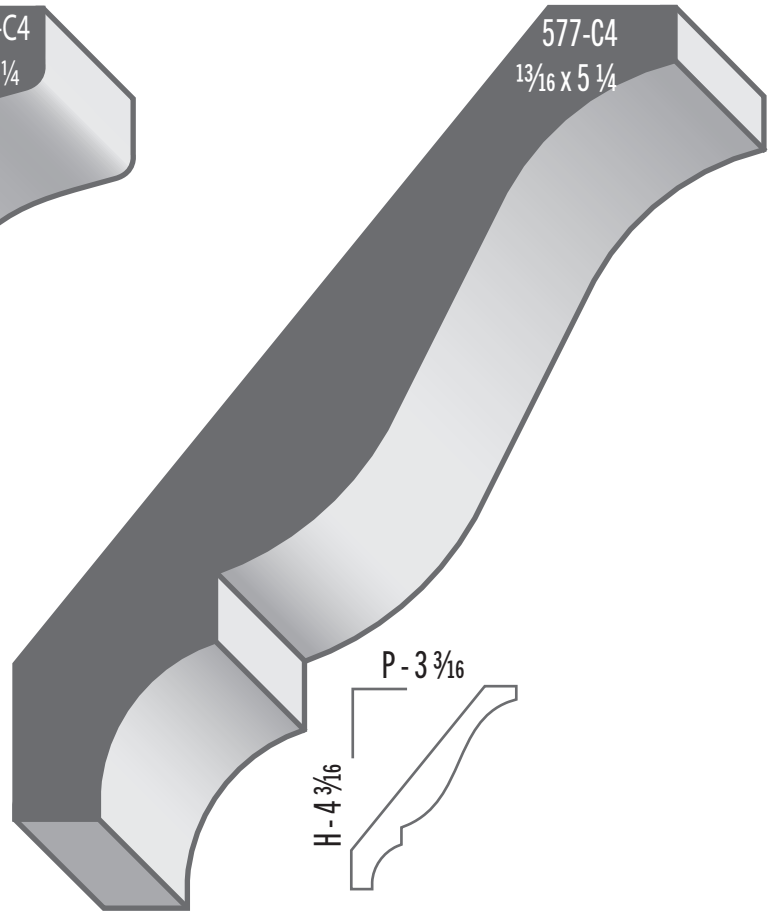
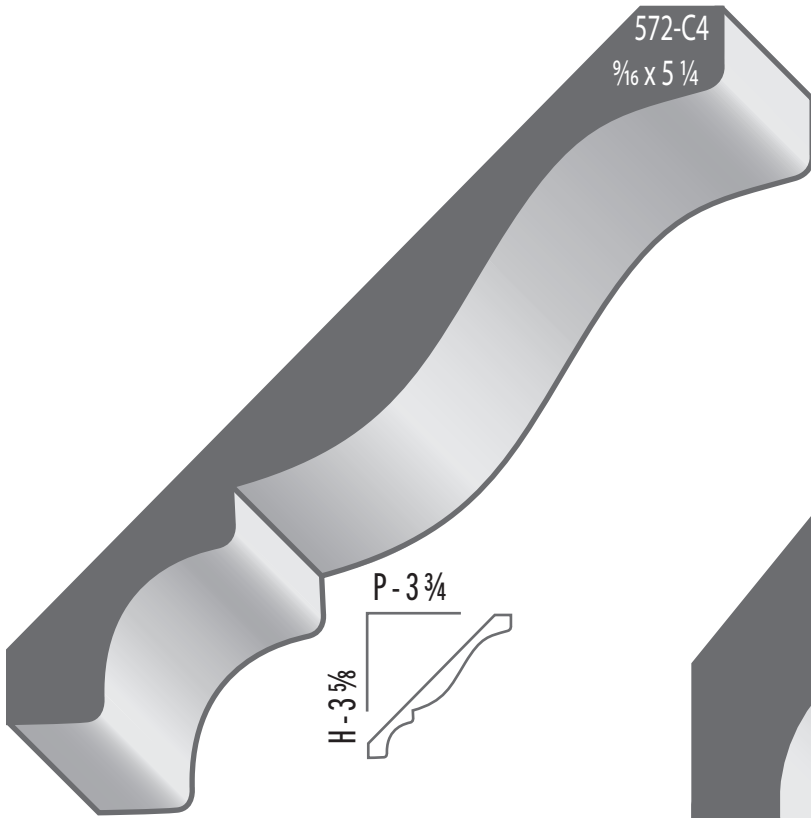


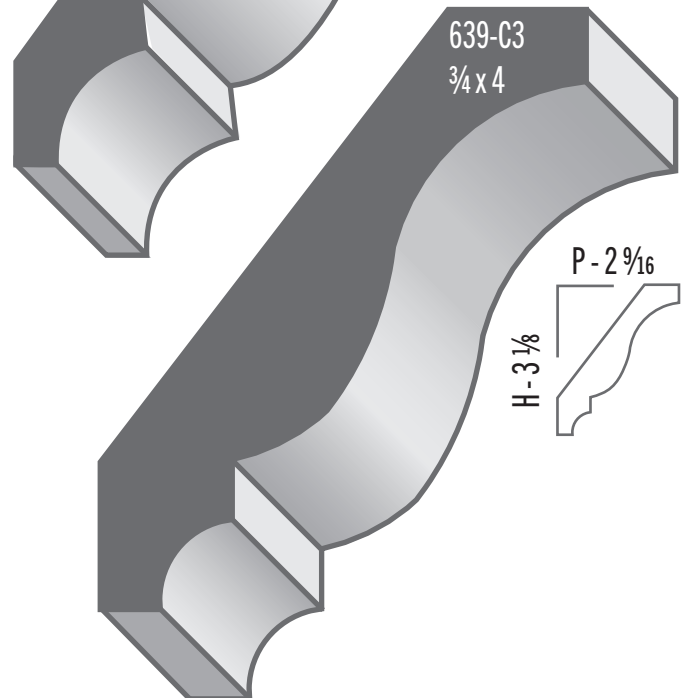
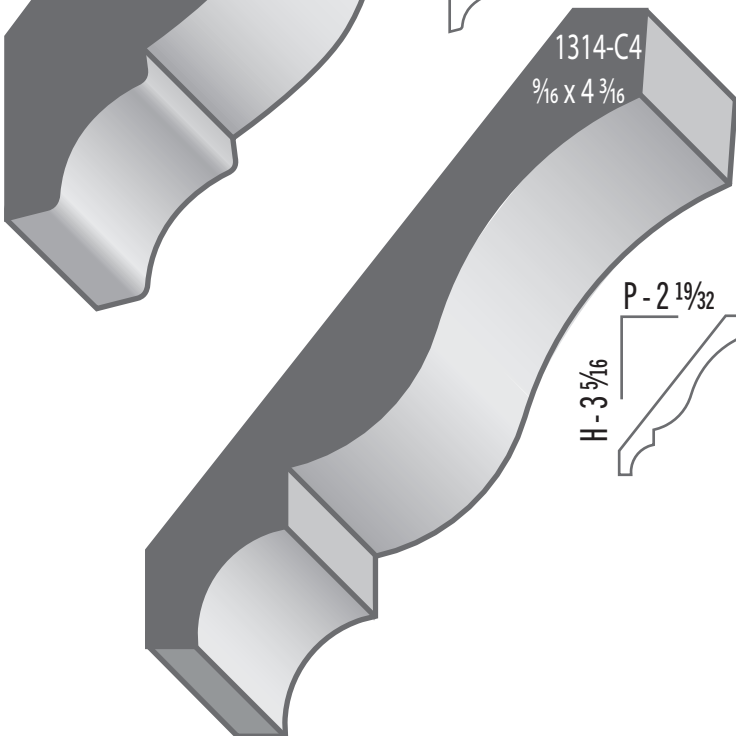
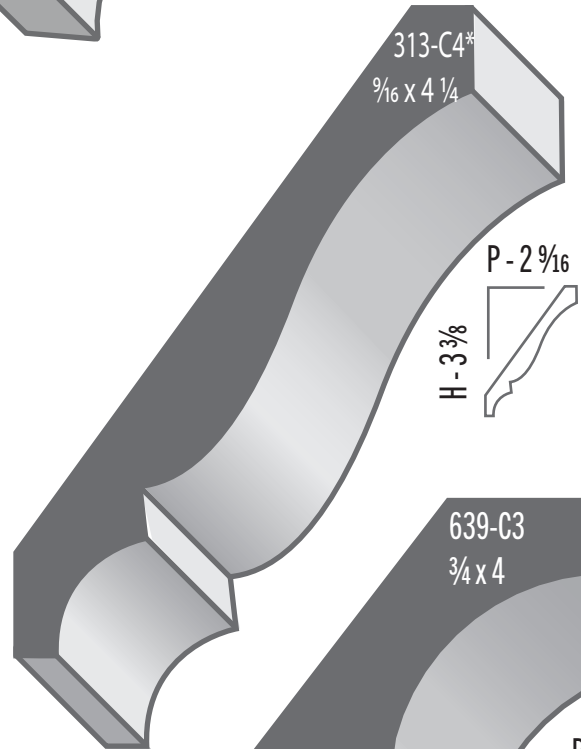
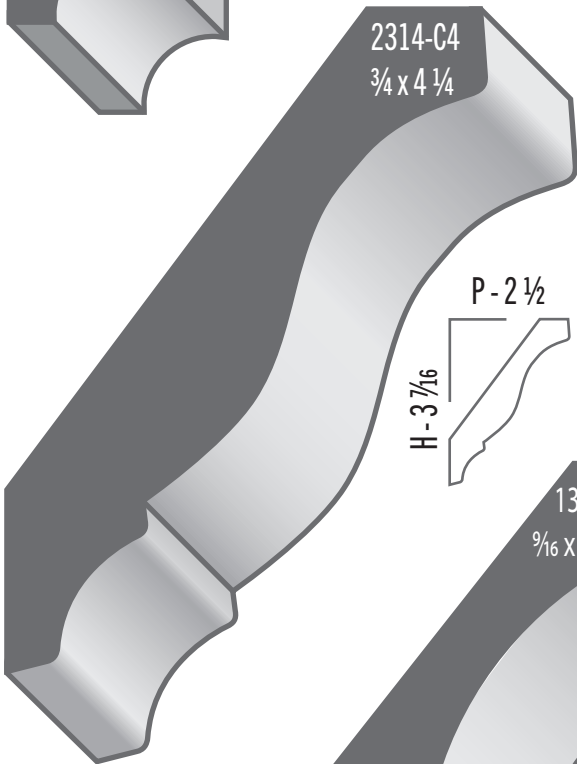
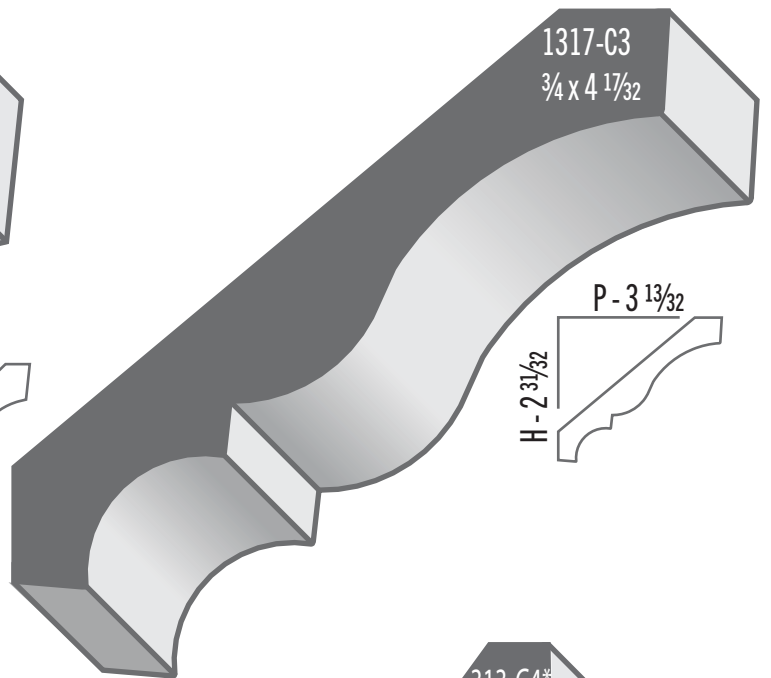
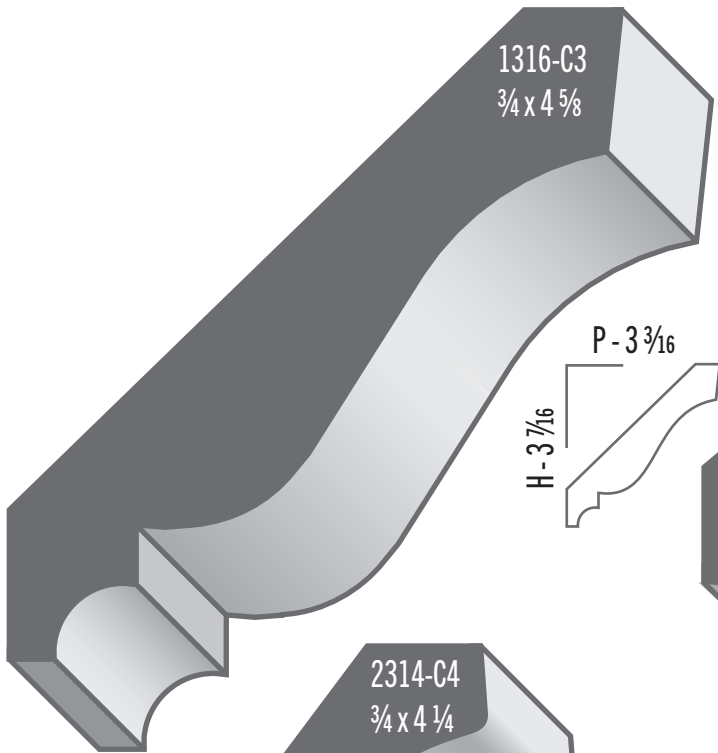
043-C4
1 x 6 ¹⁵/₁₆



646-C4
1 ¹¹/₁₆ x 6 ¹/₂

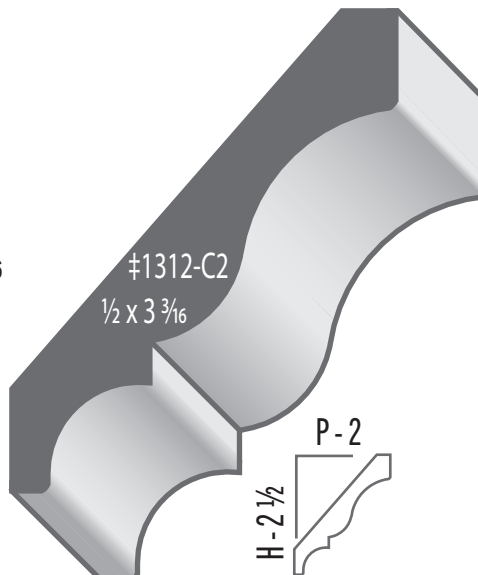
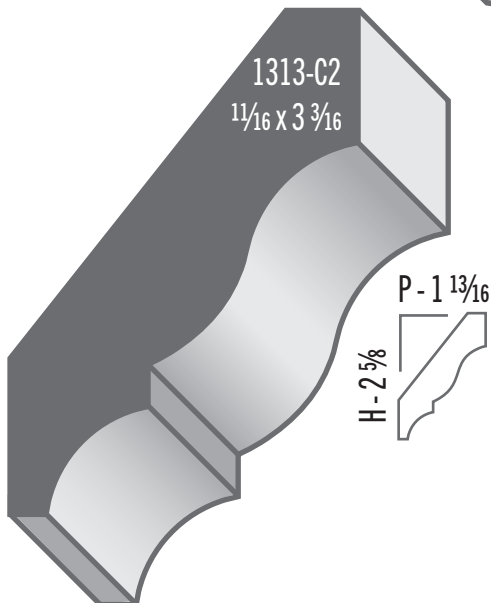
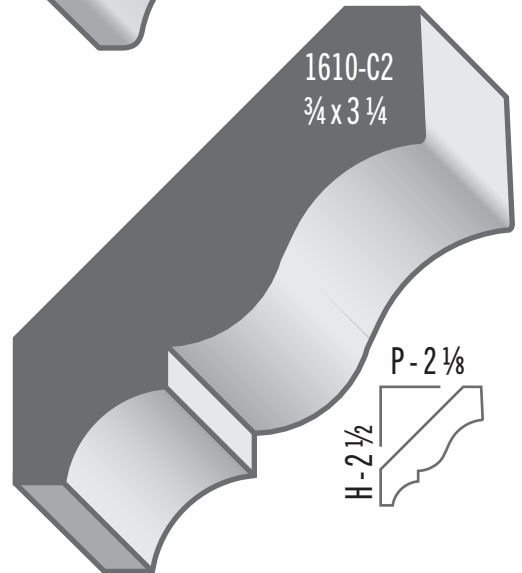
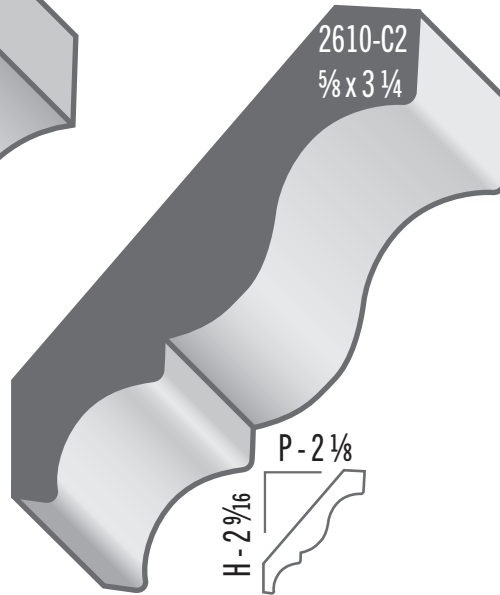
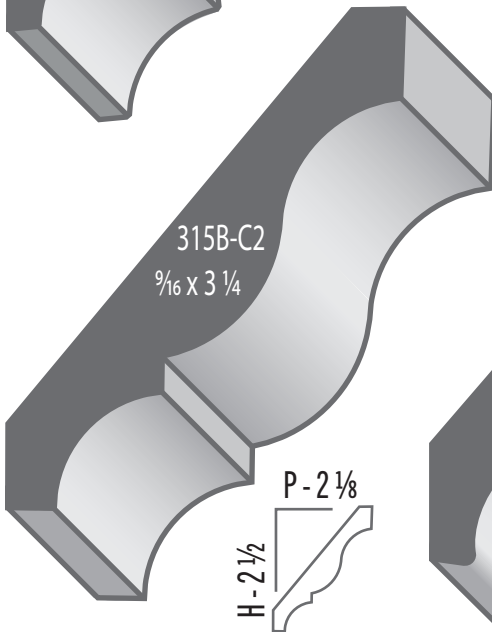
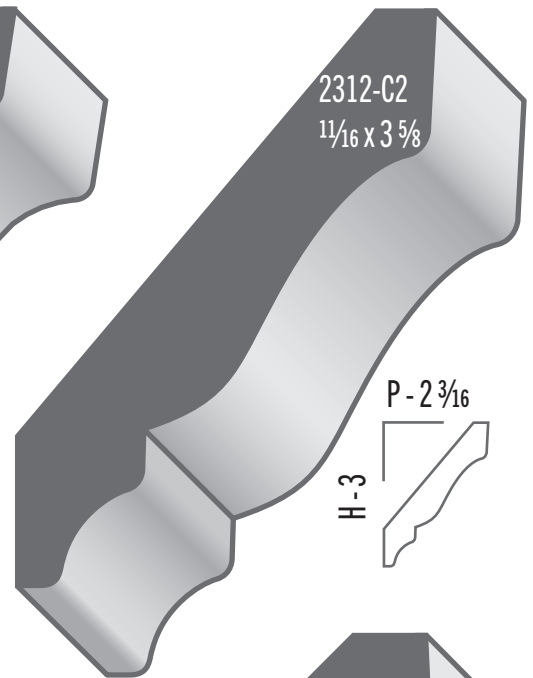
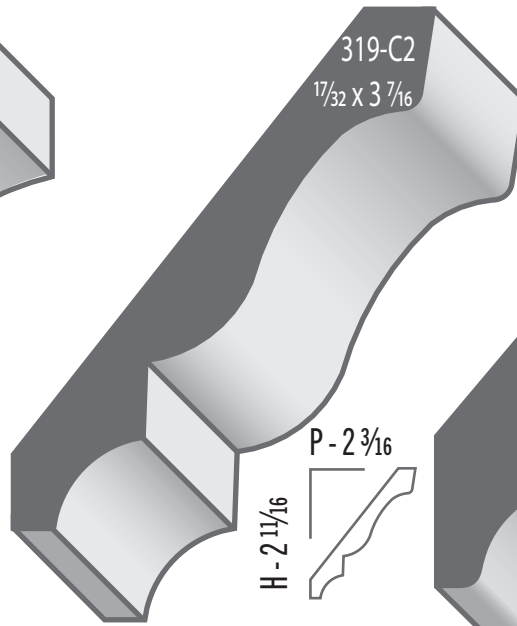
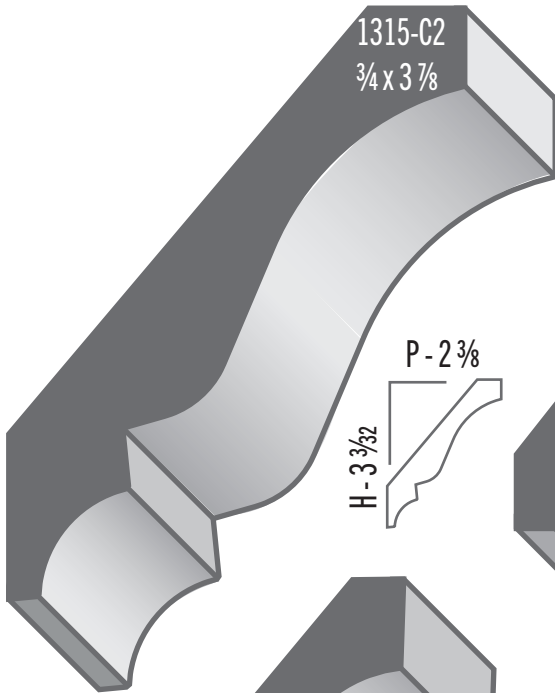


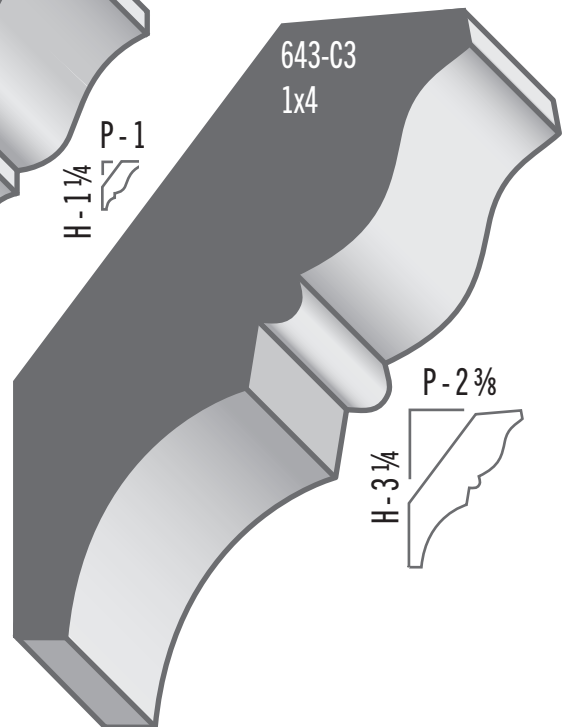
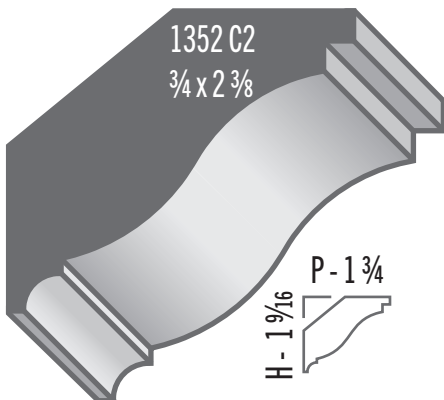
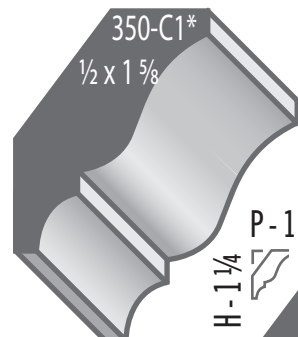
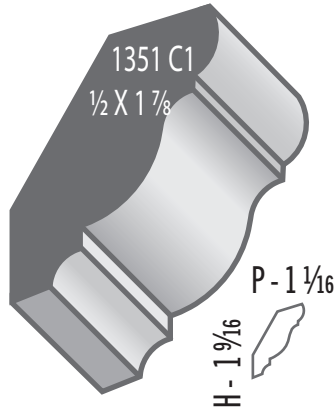
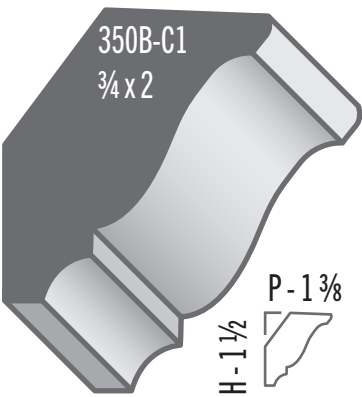
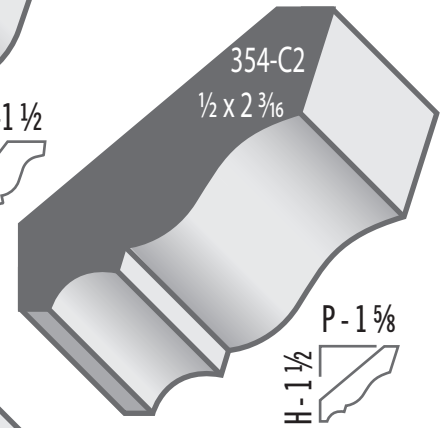
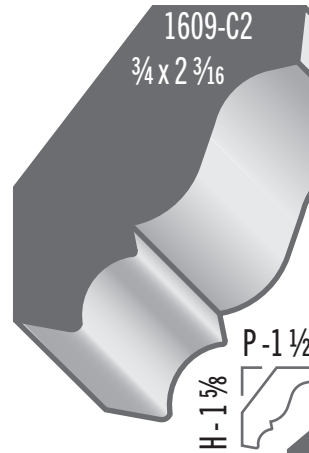
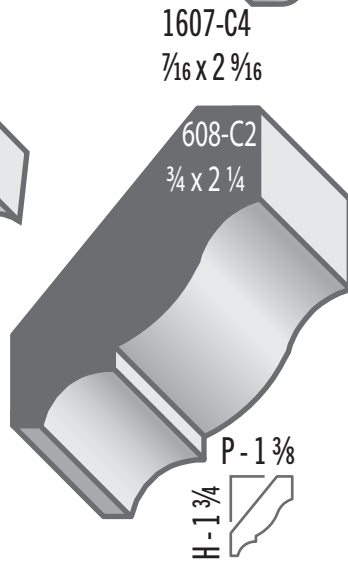
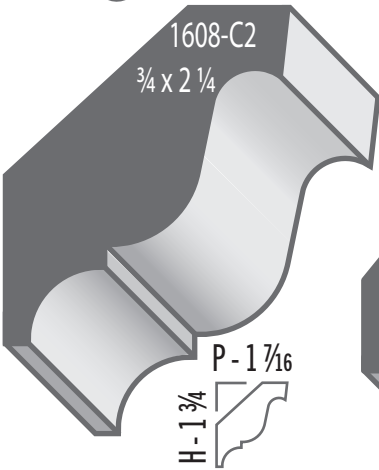
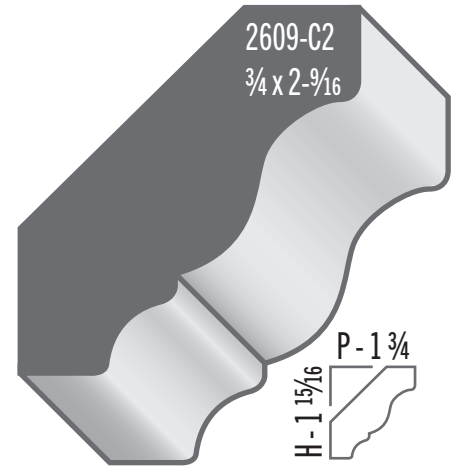
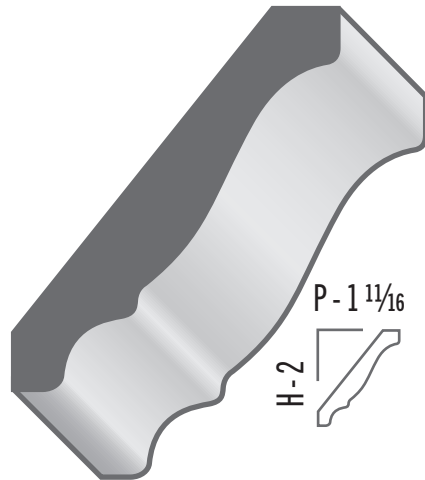
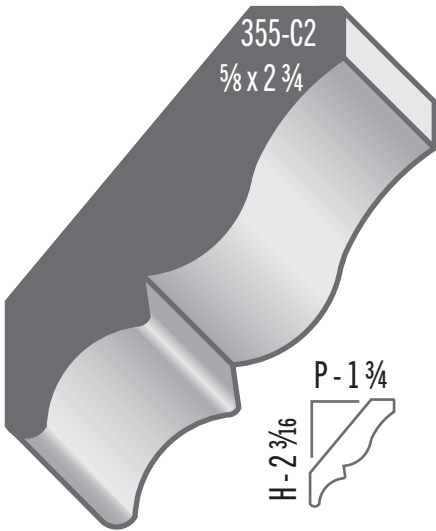


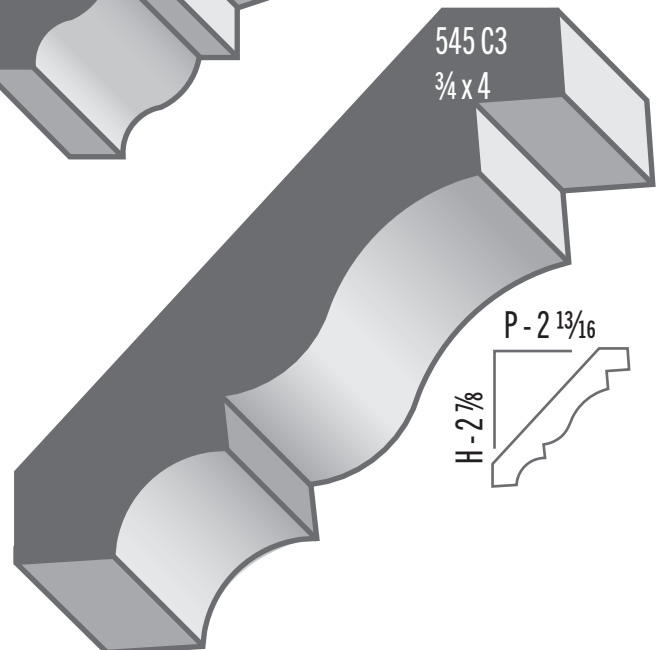
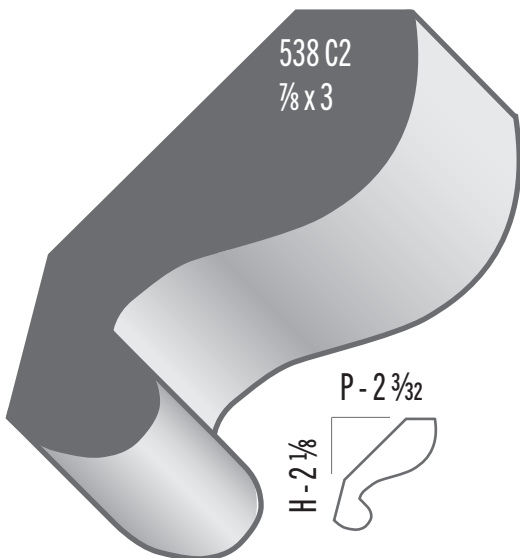
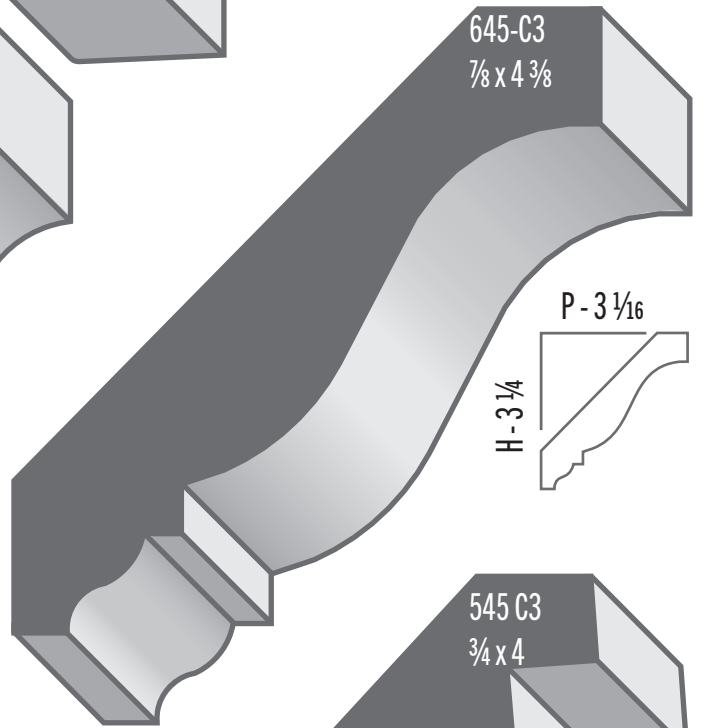
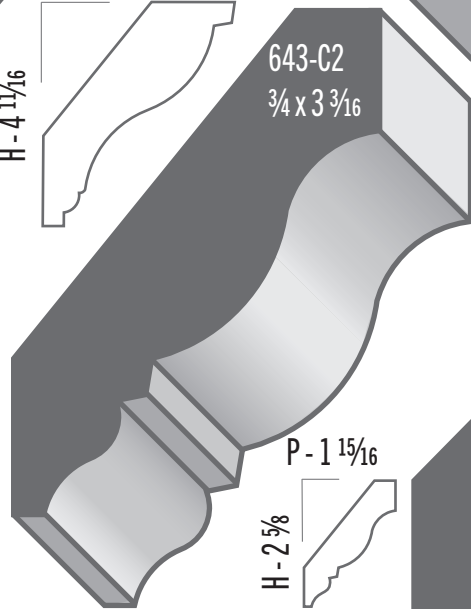
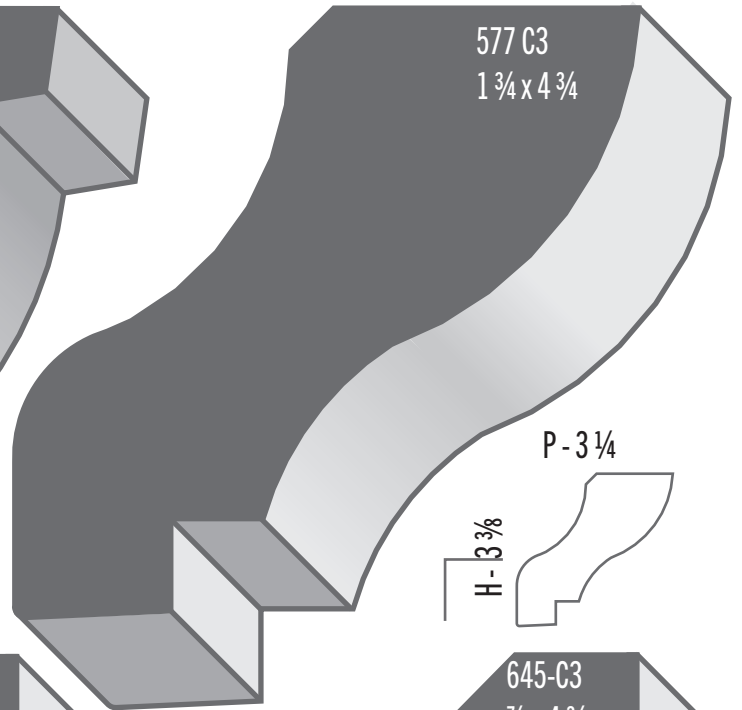
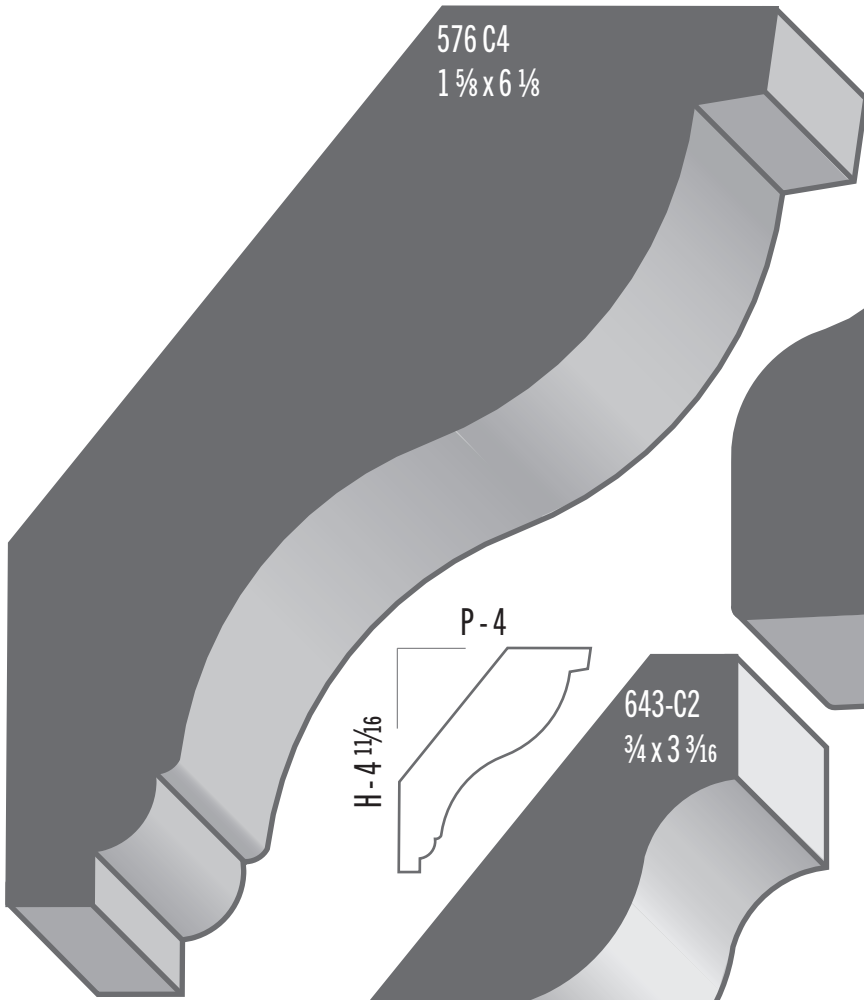




‡ Sample missing

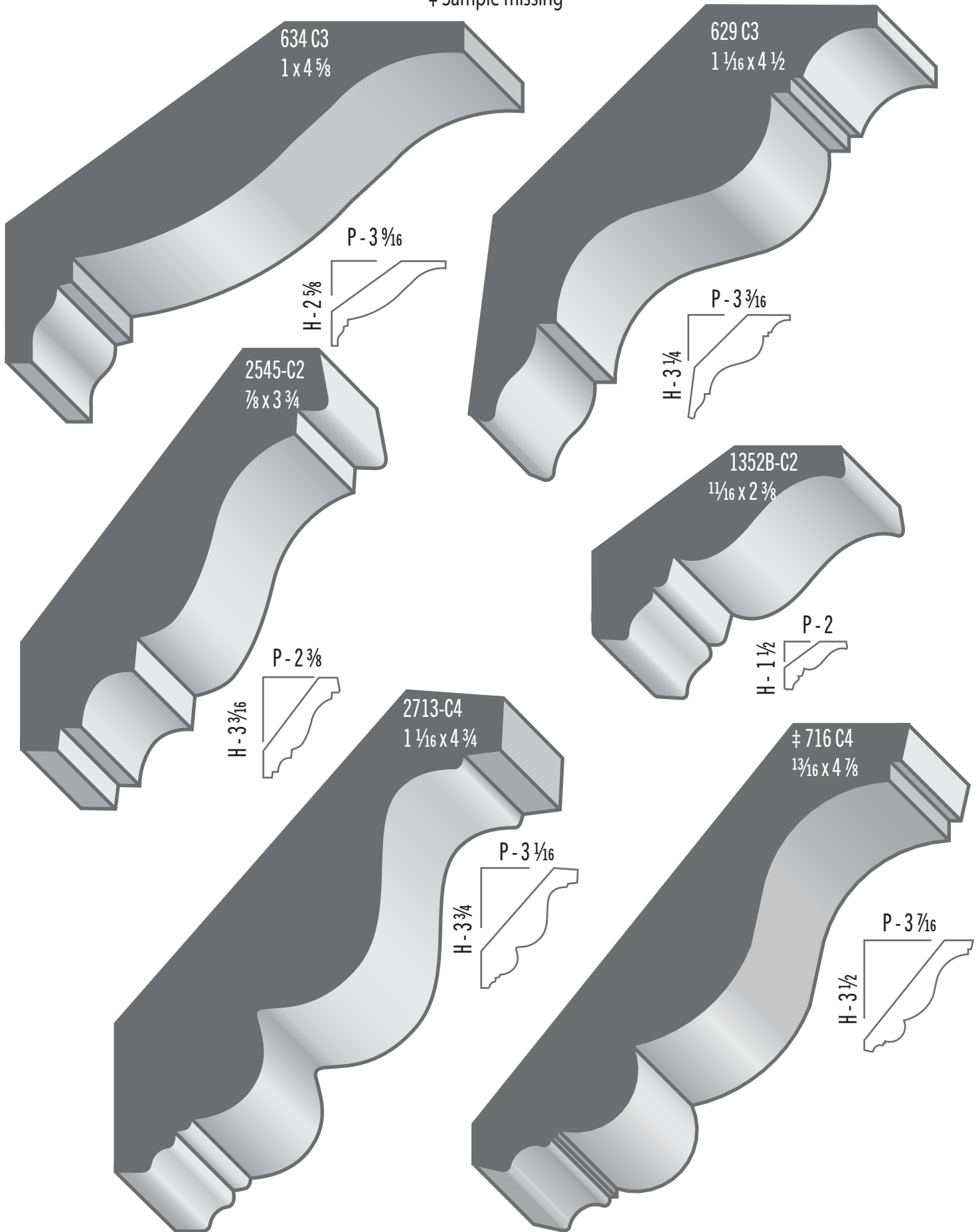


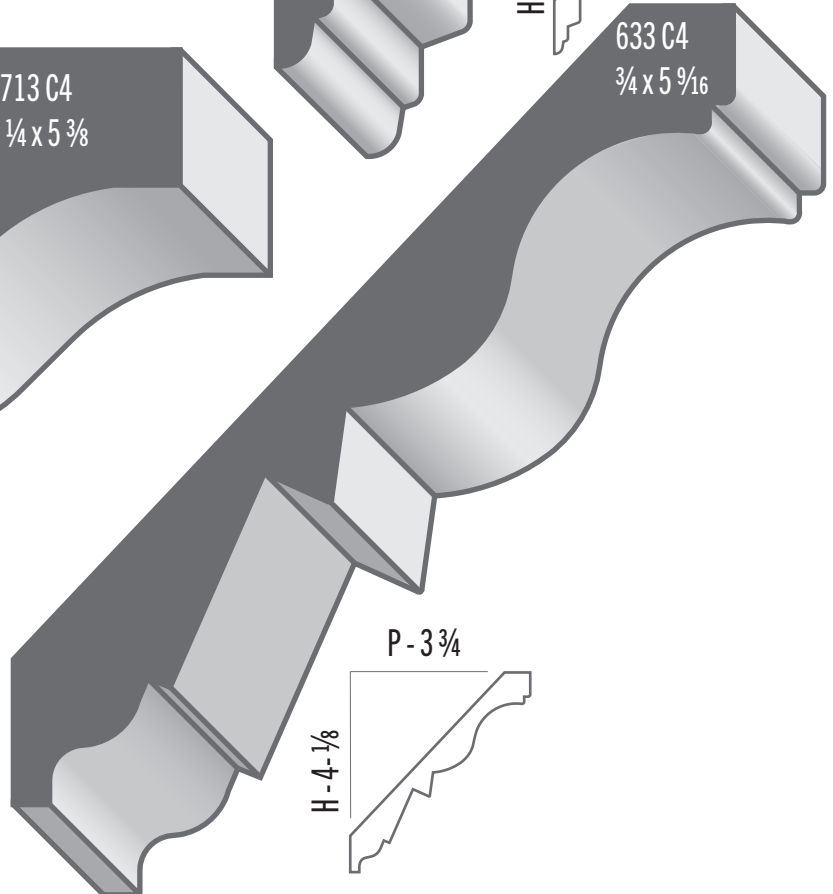
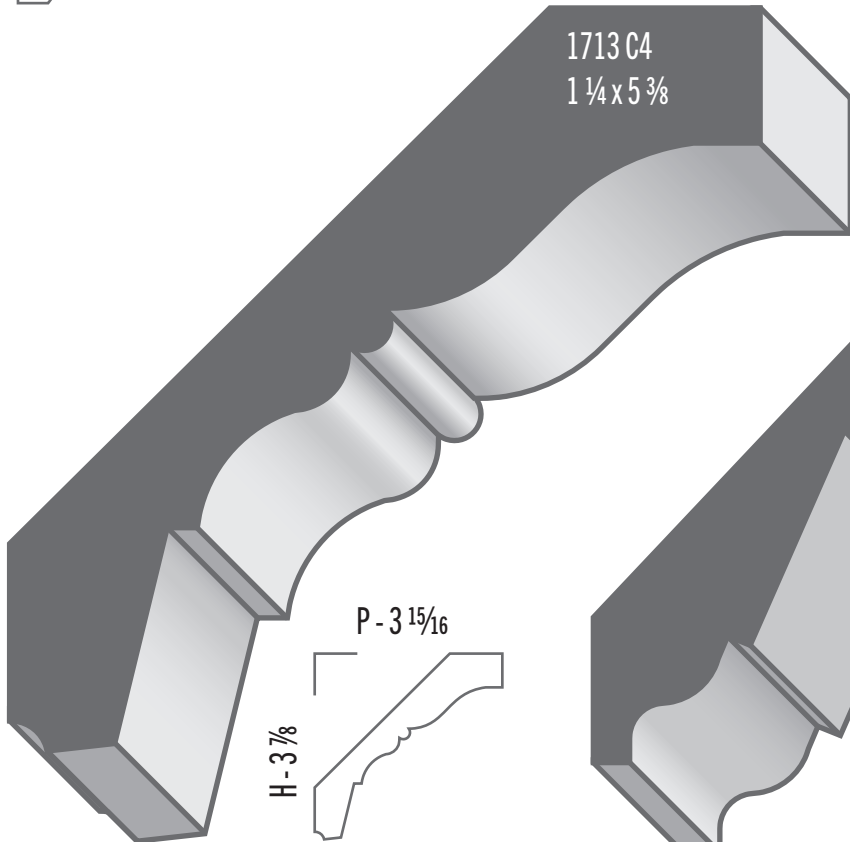
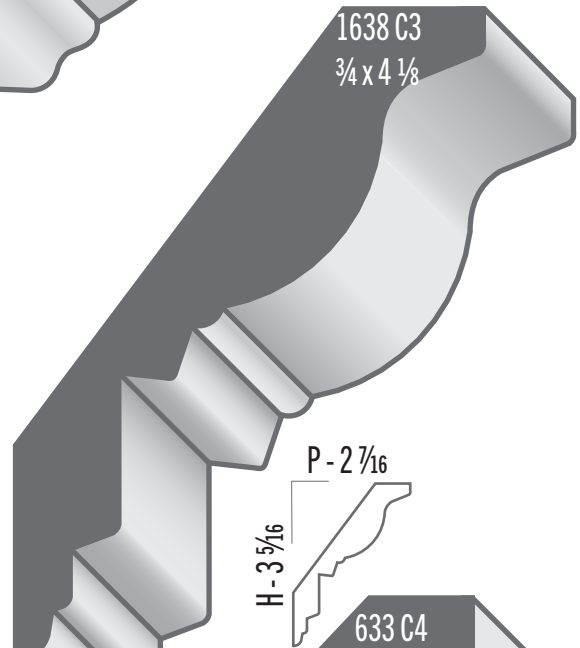
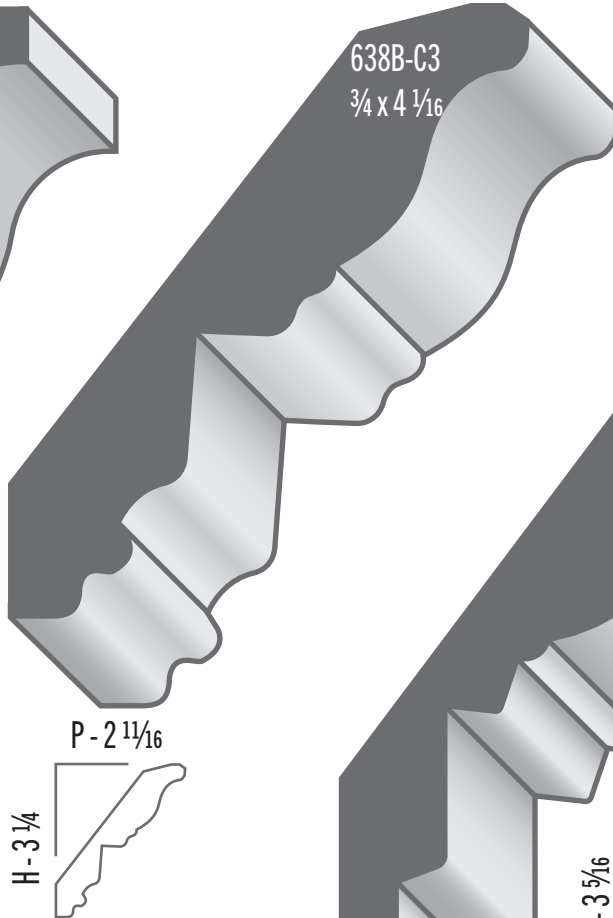
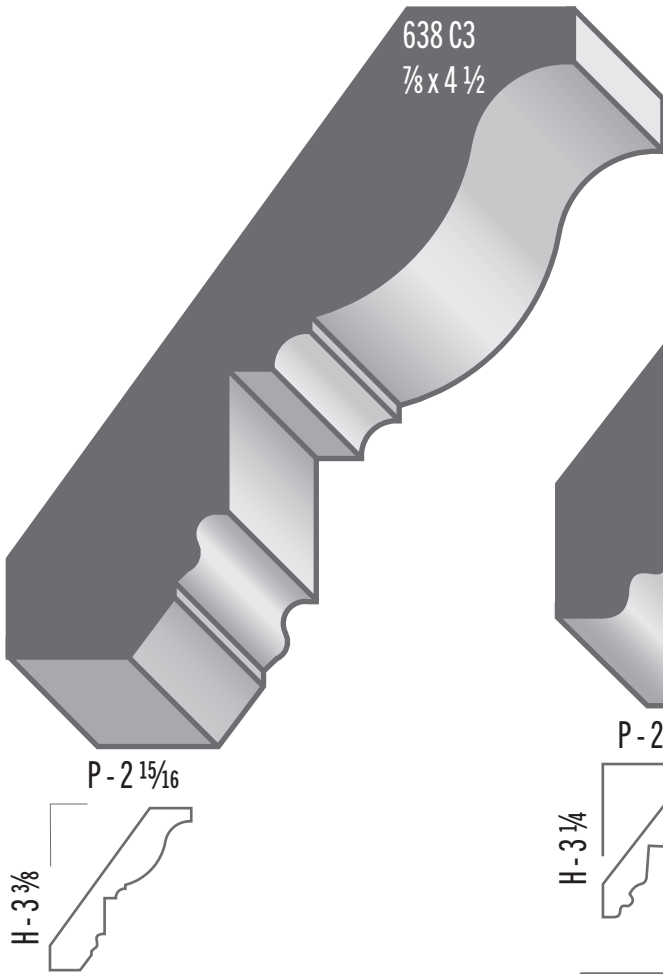


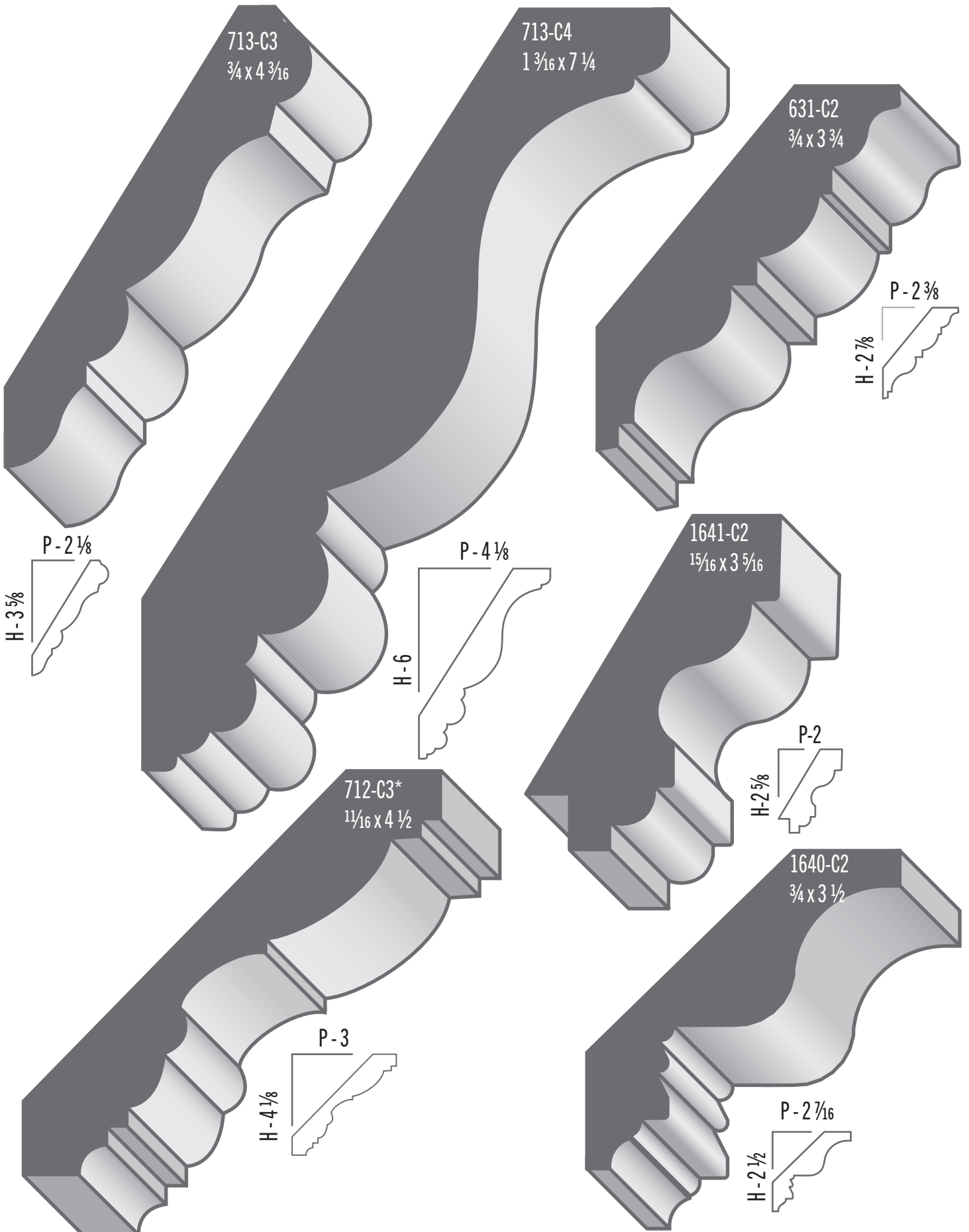




‡ Sample missing

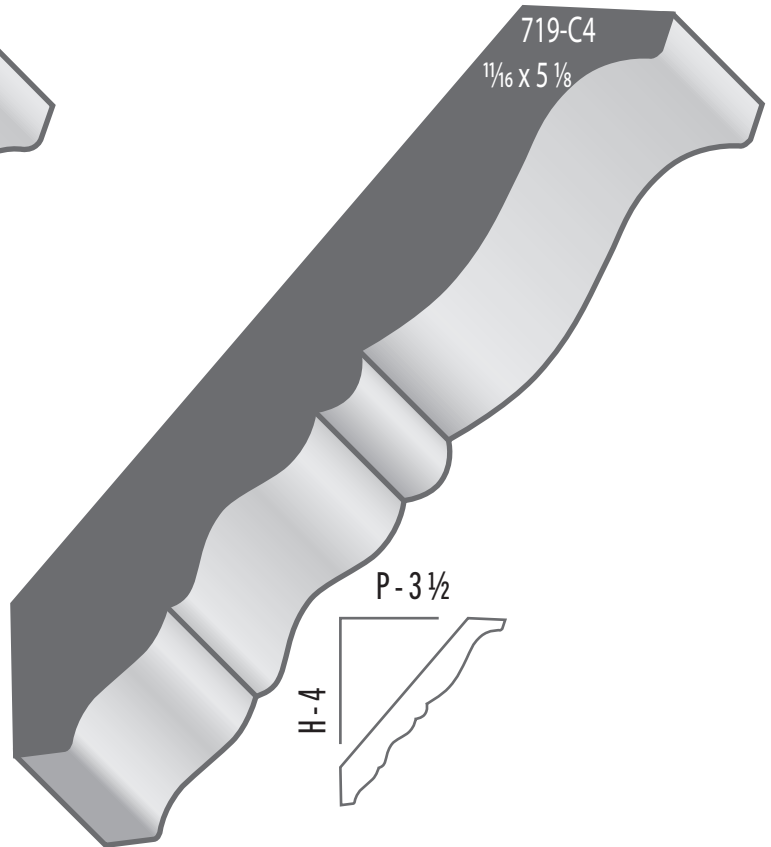
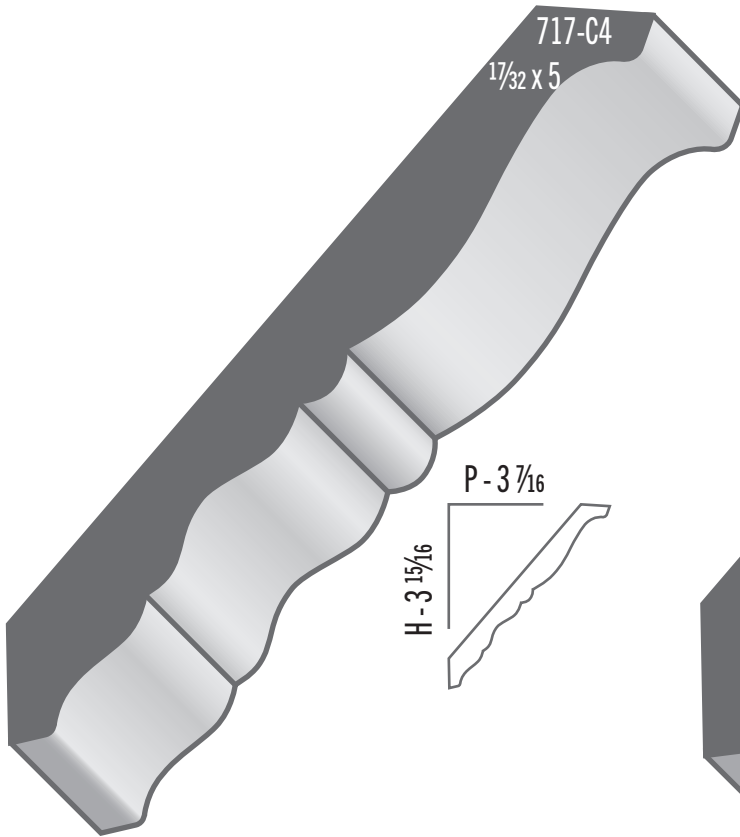


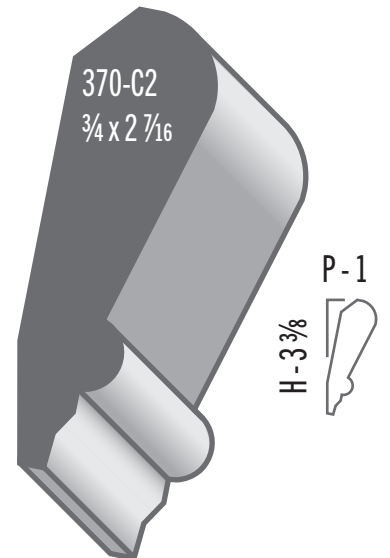
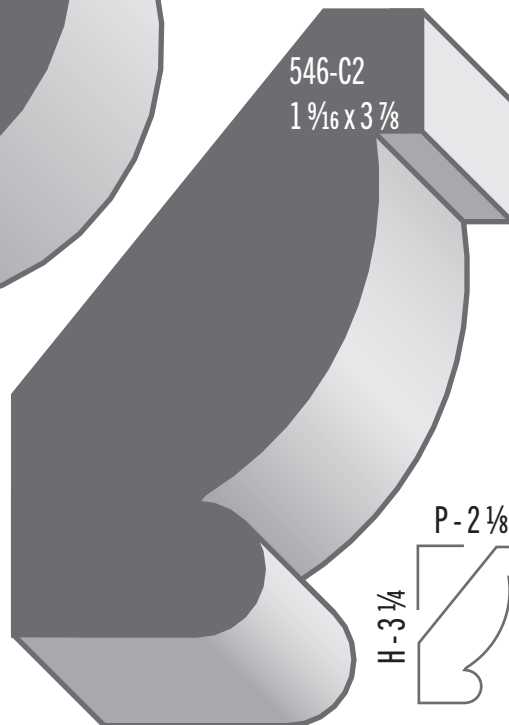
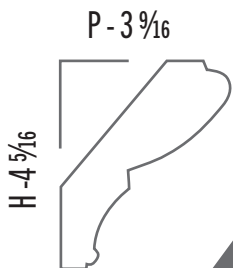
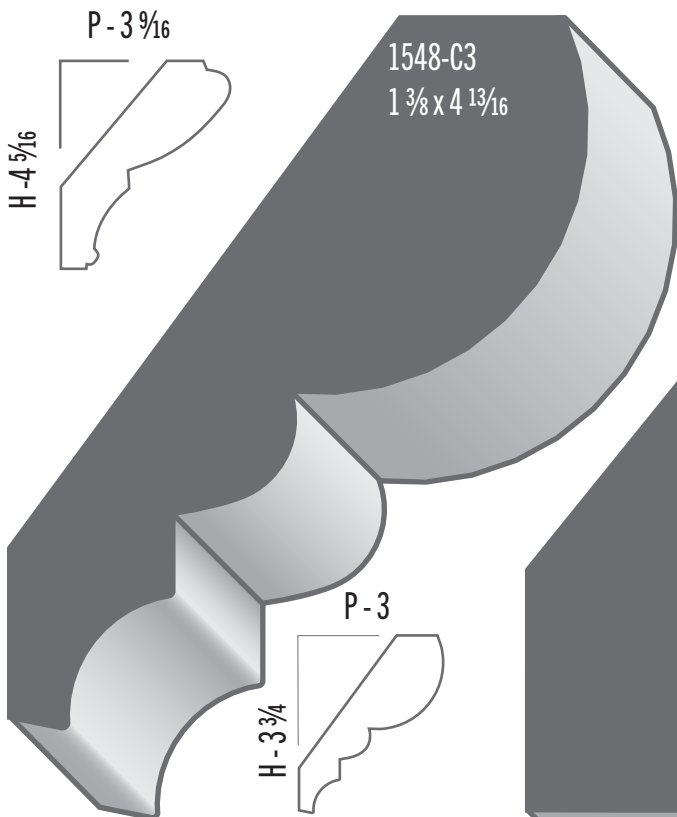
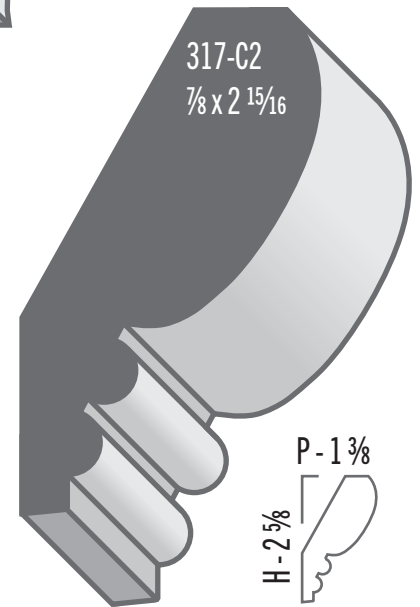
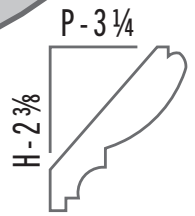
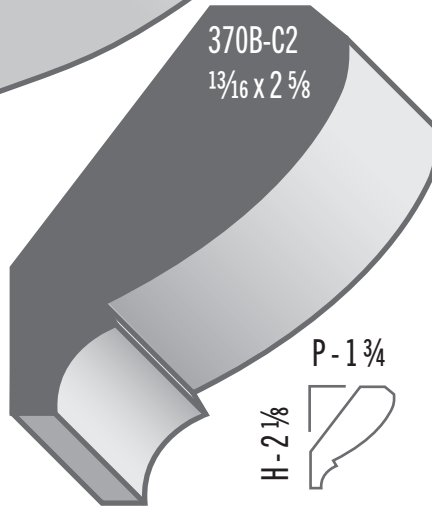
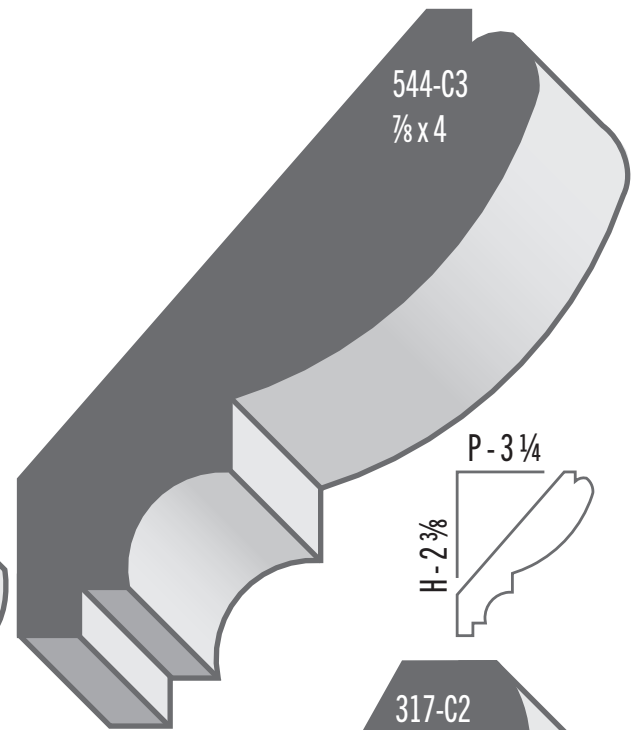
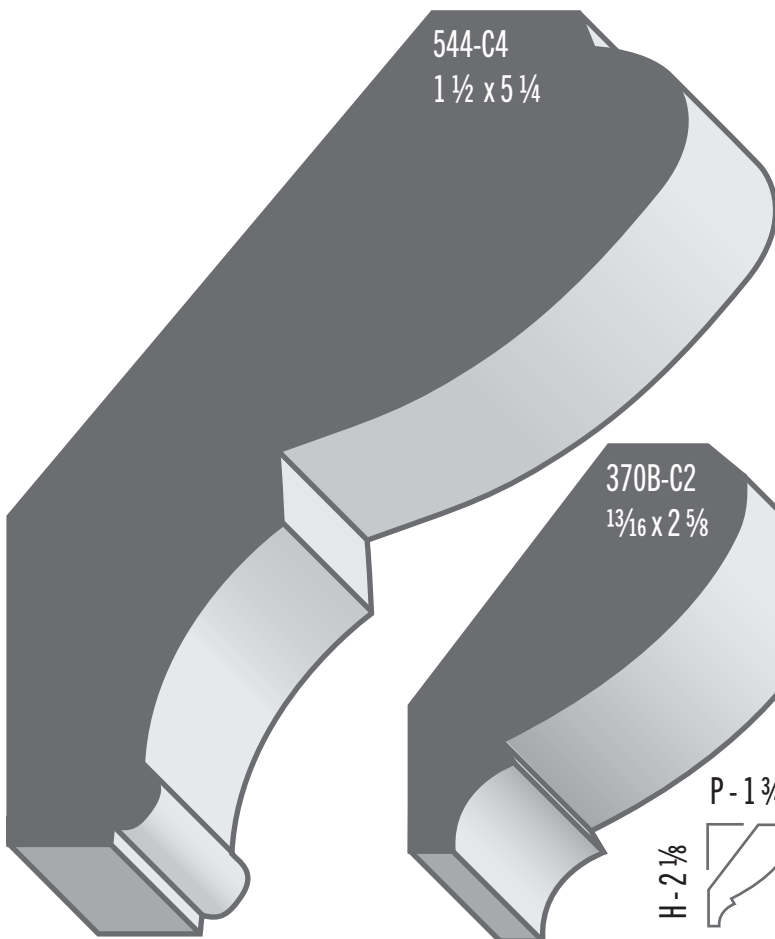


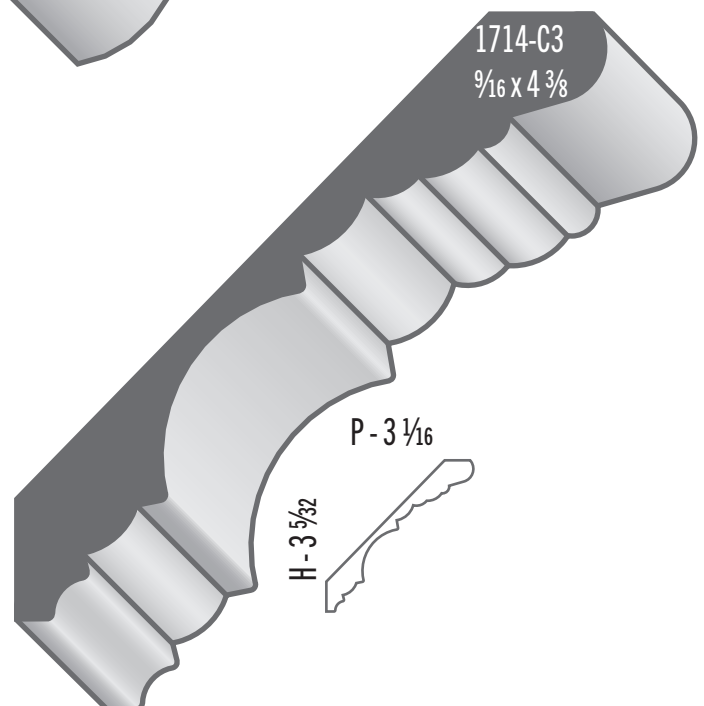
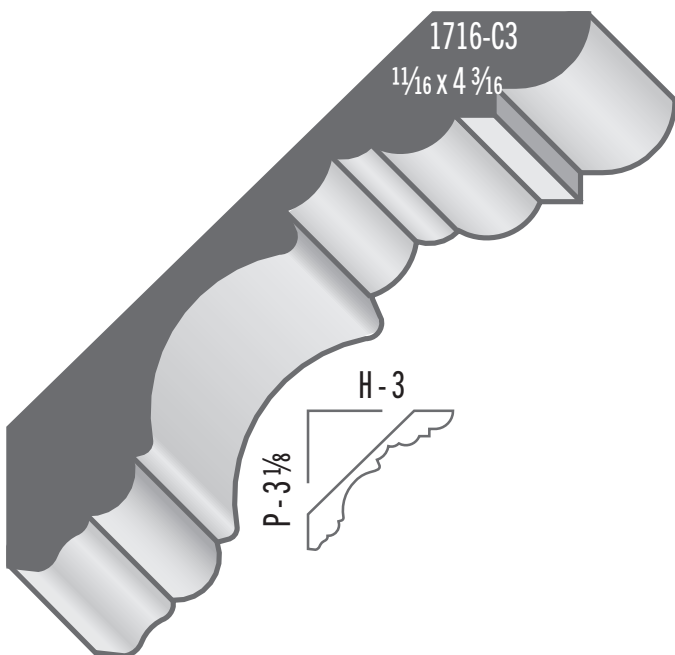
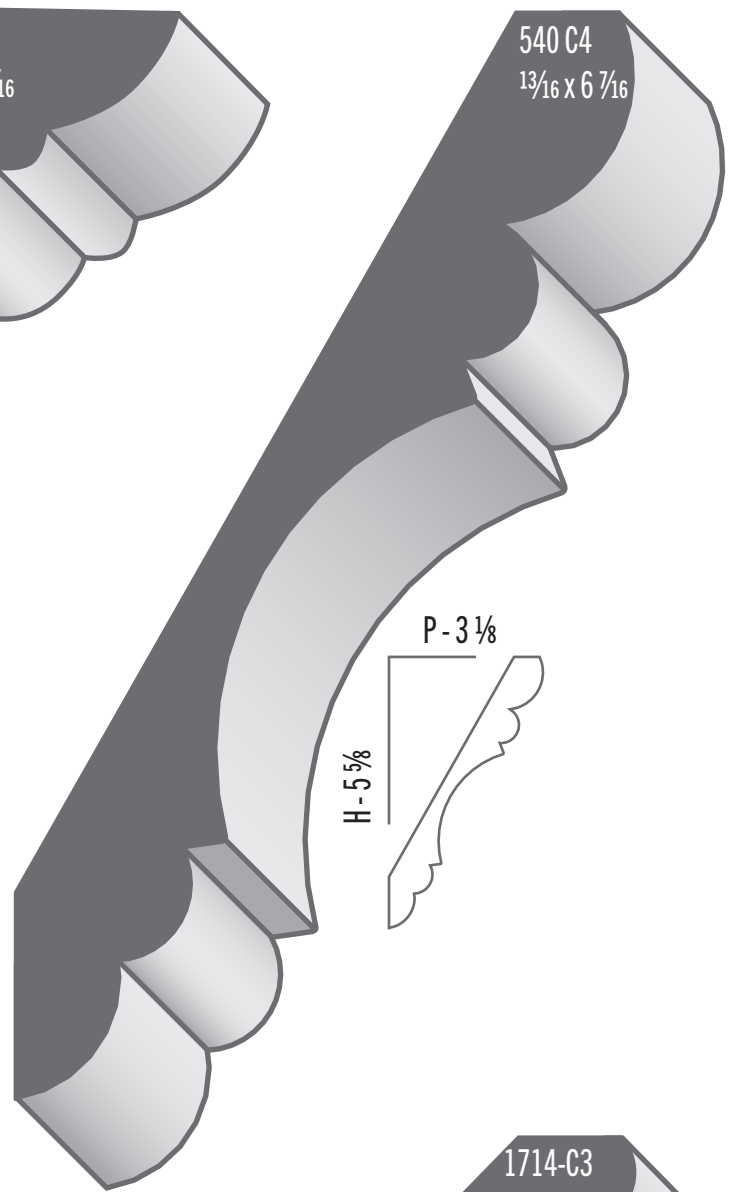
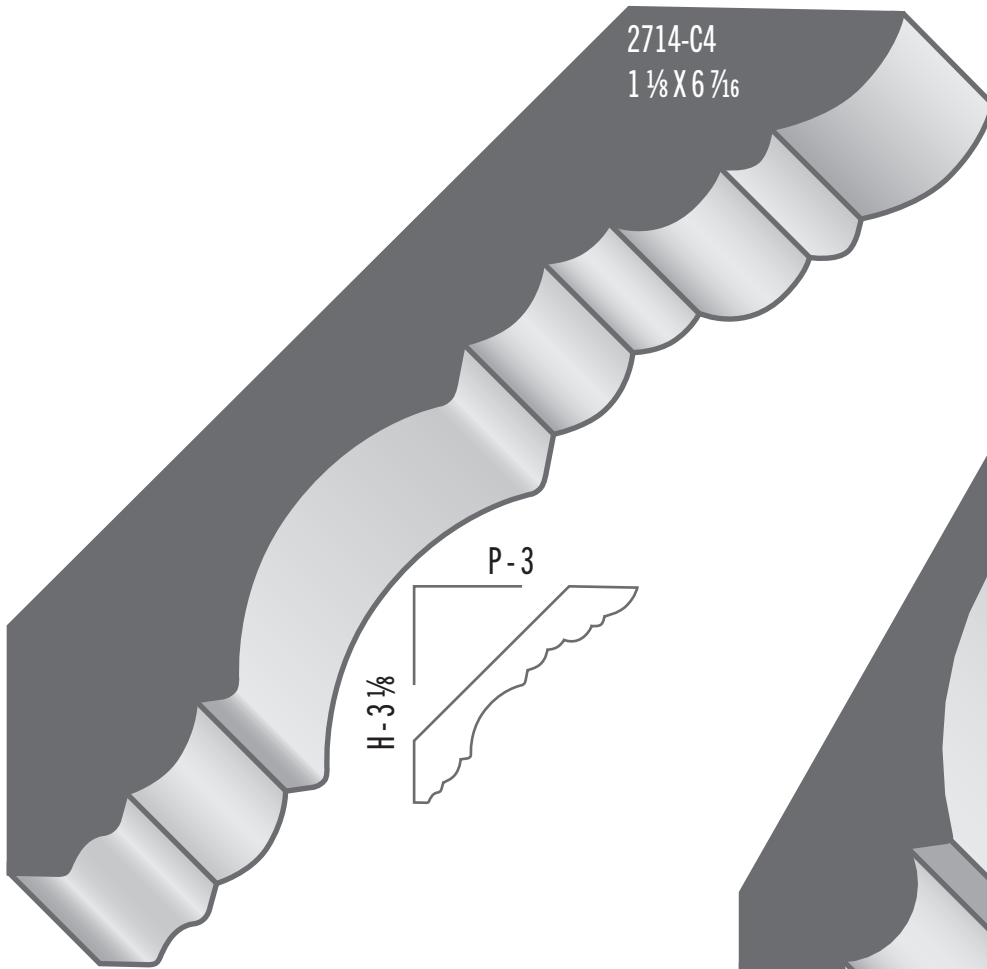


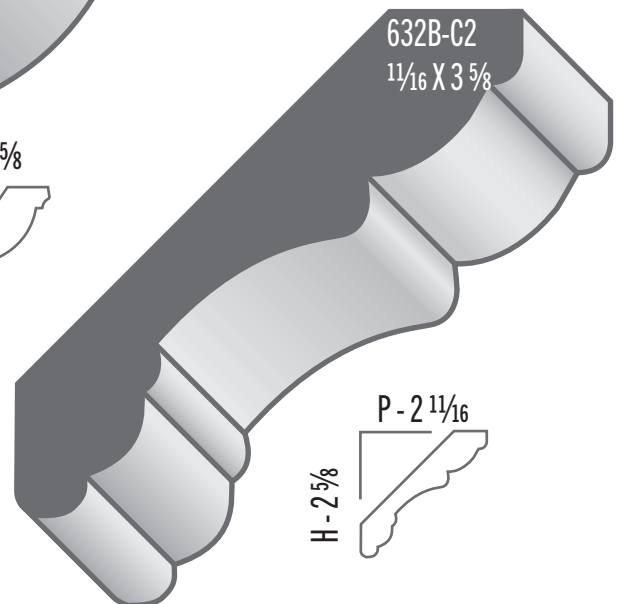
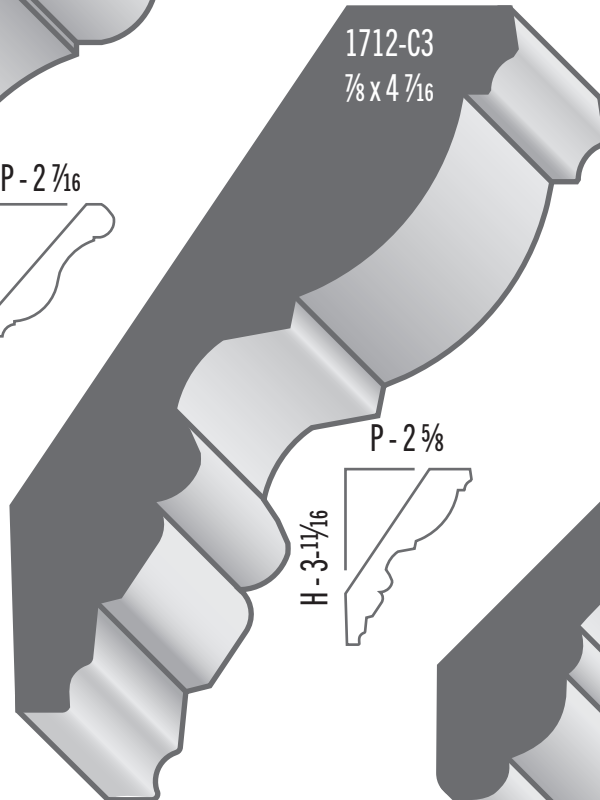
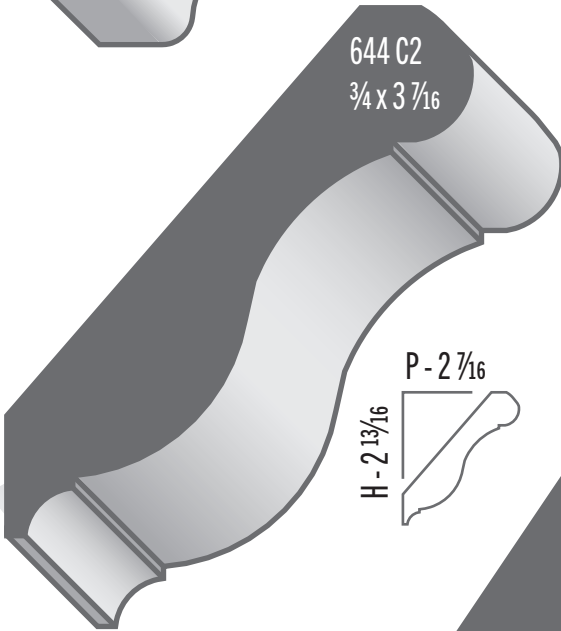
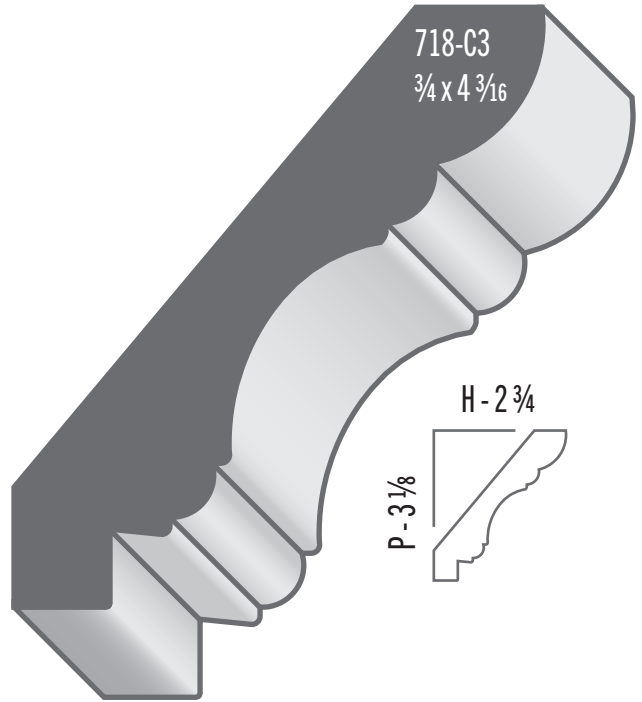
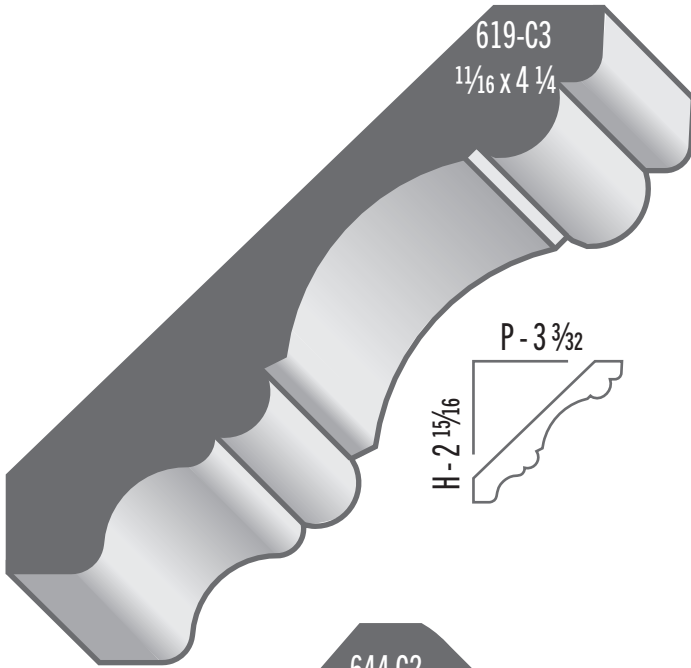


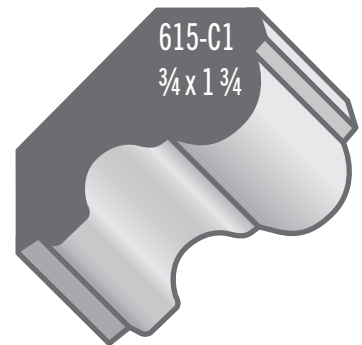
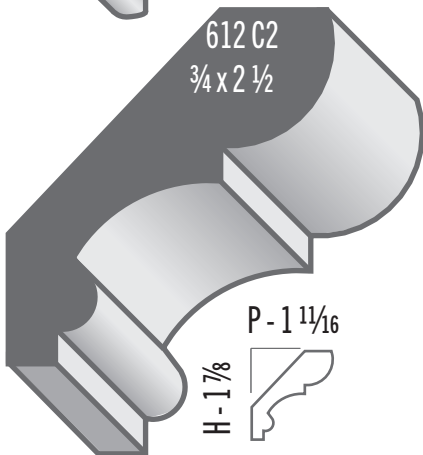
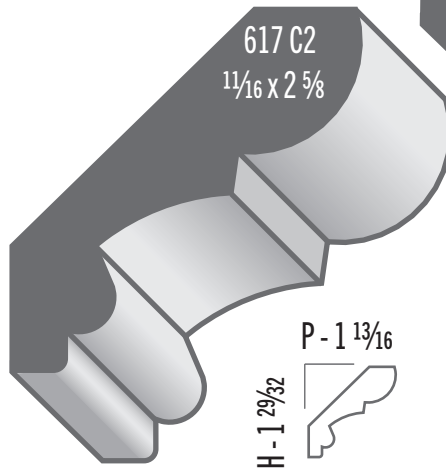
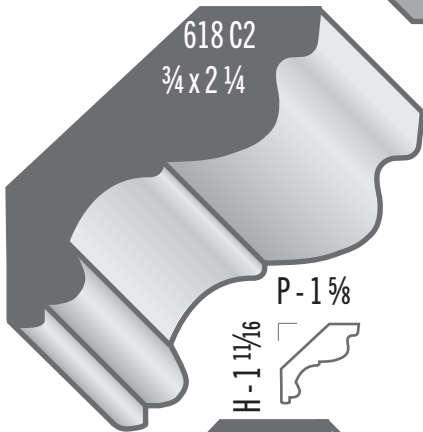
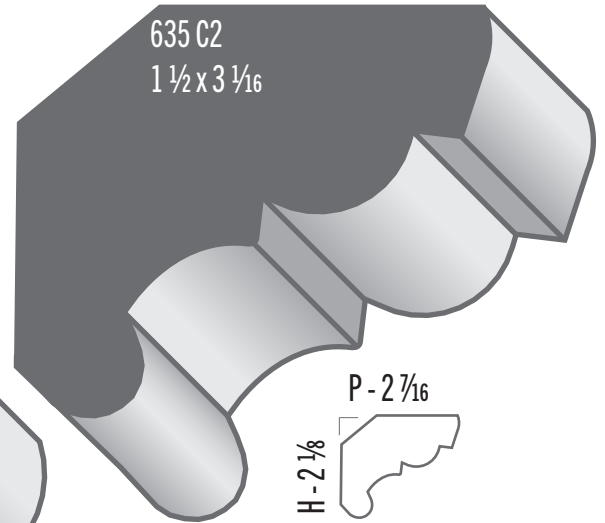
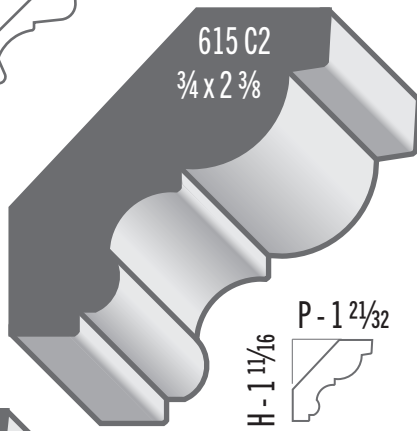
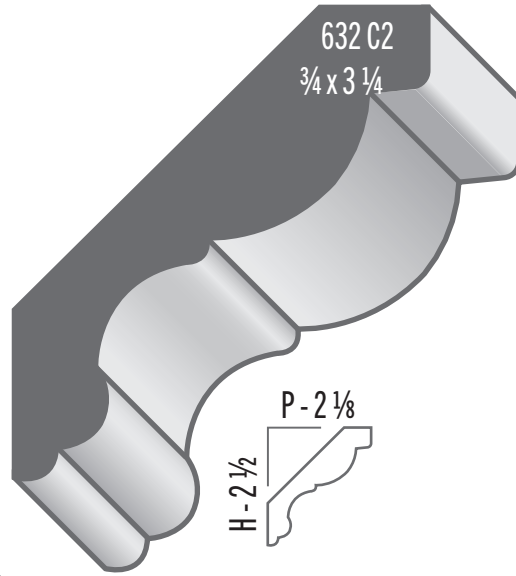
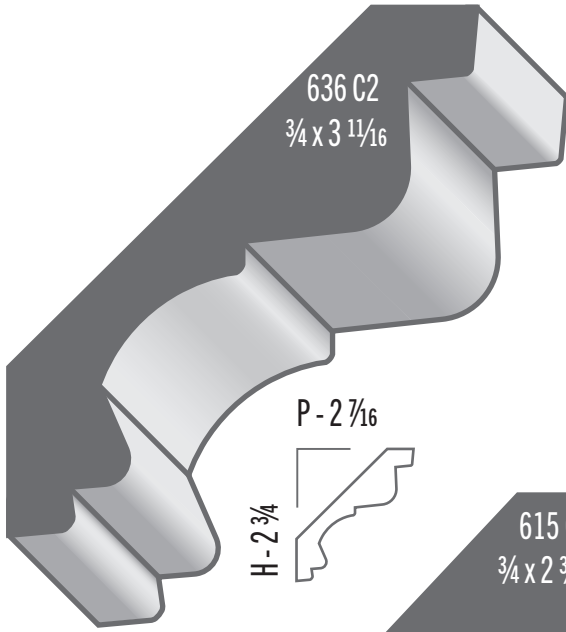
‡ Sample missing

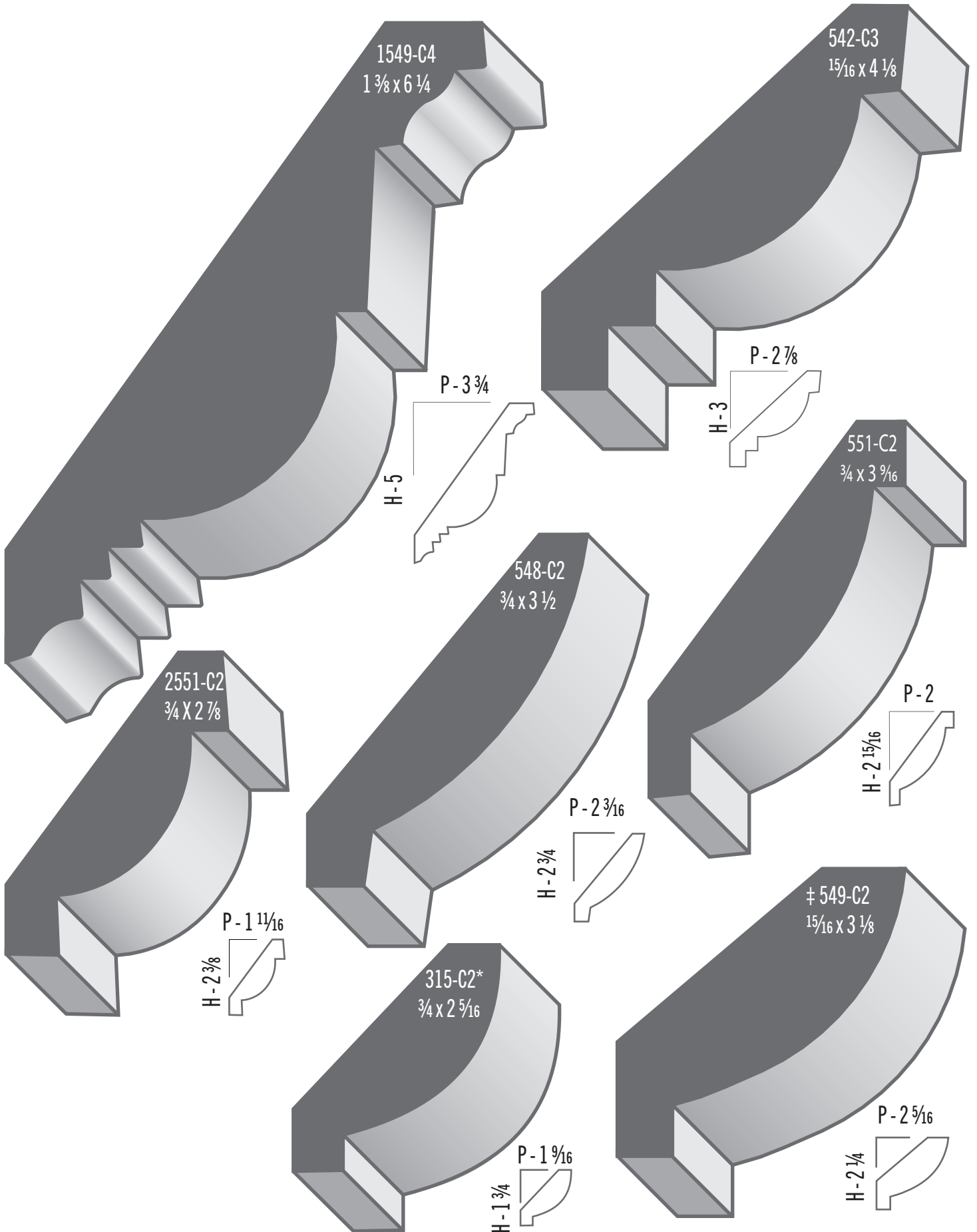






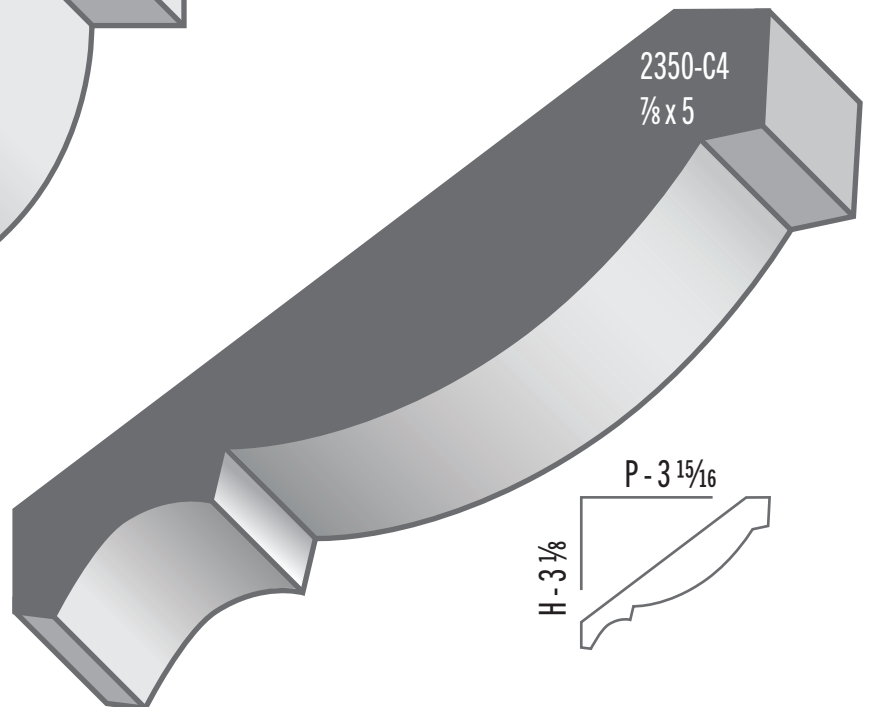
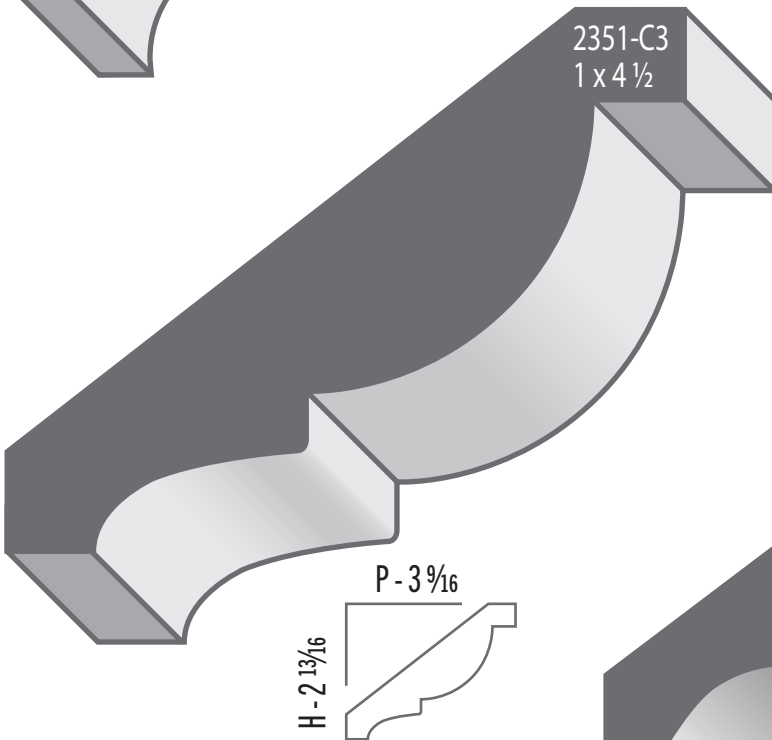
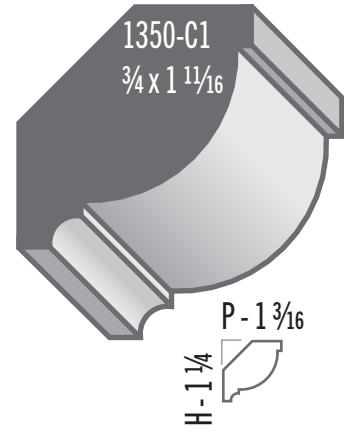
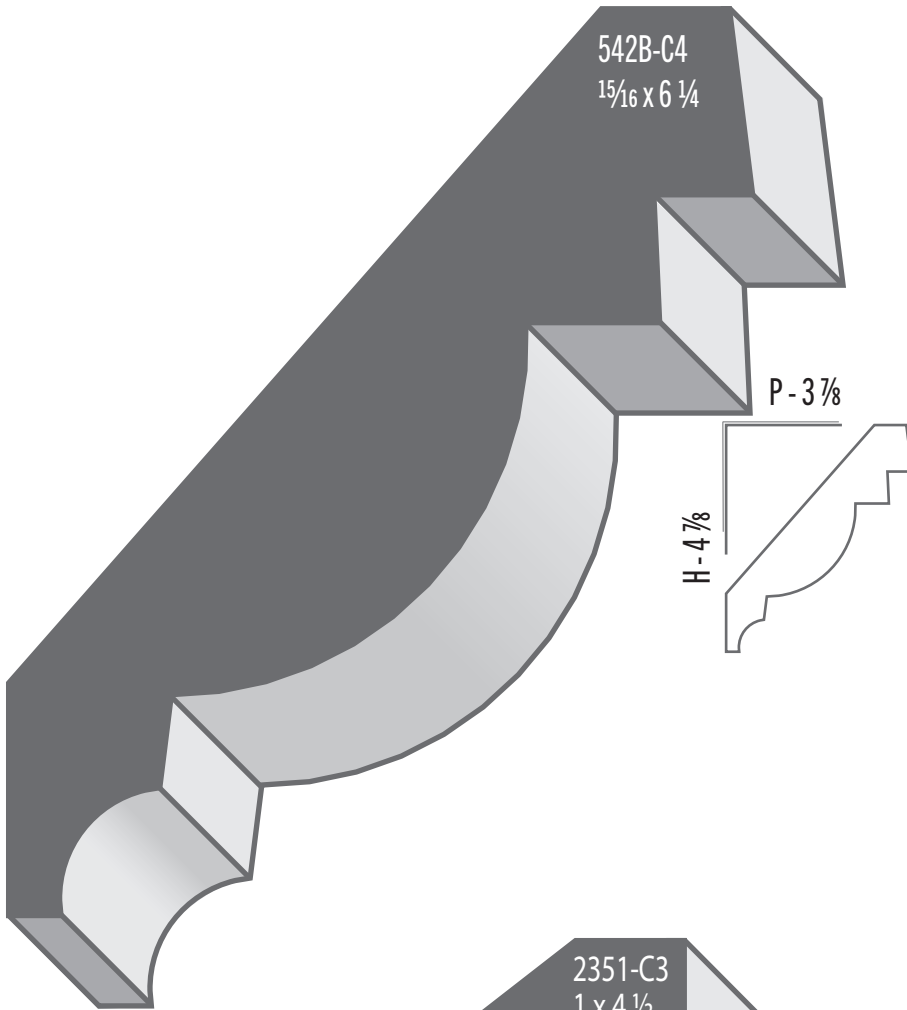


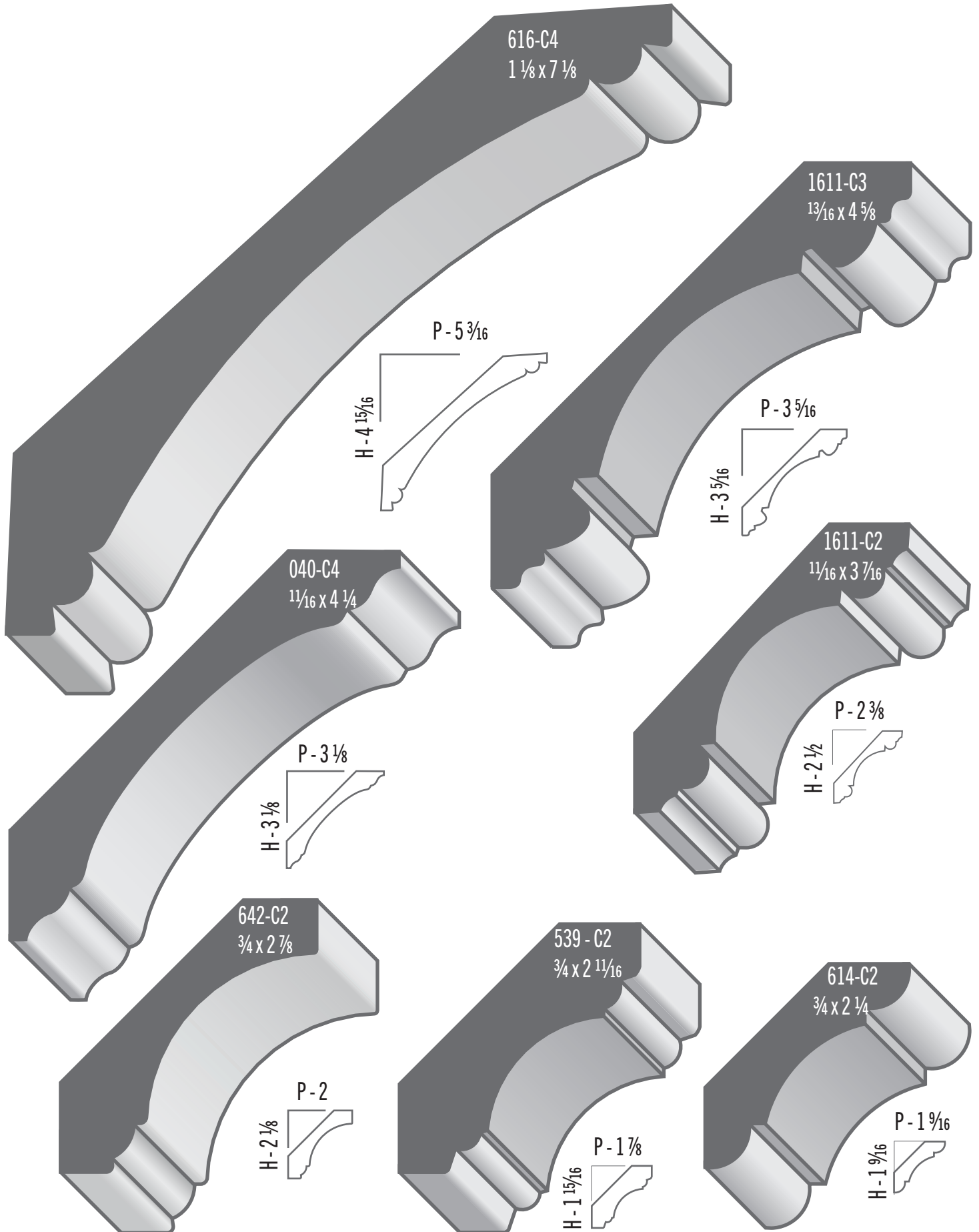






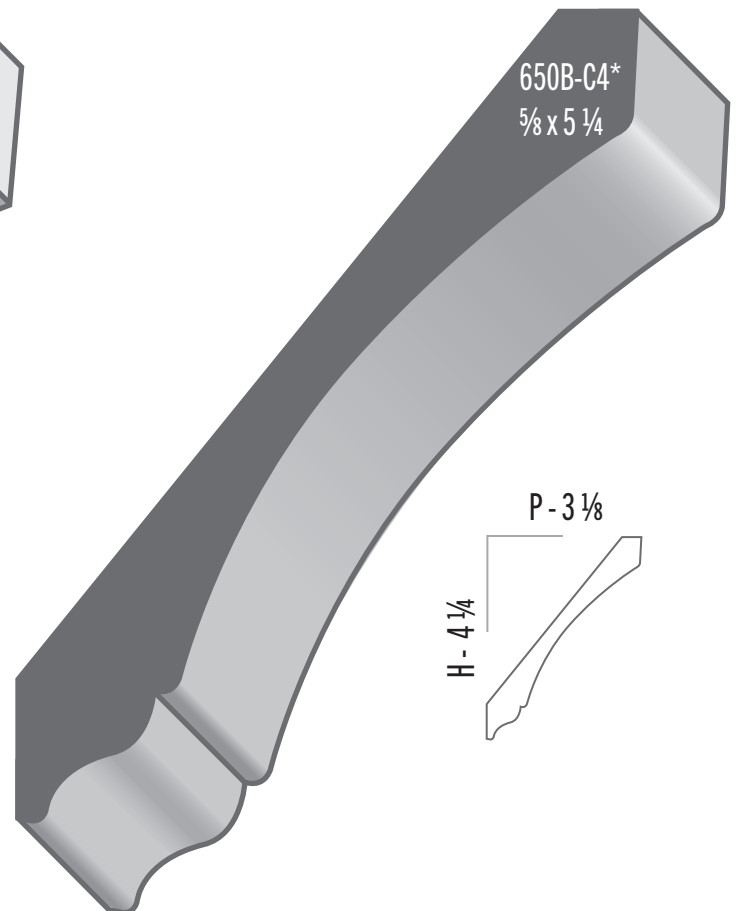
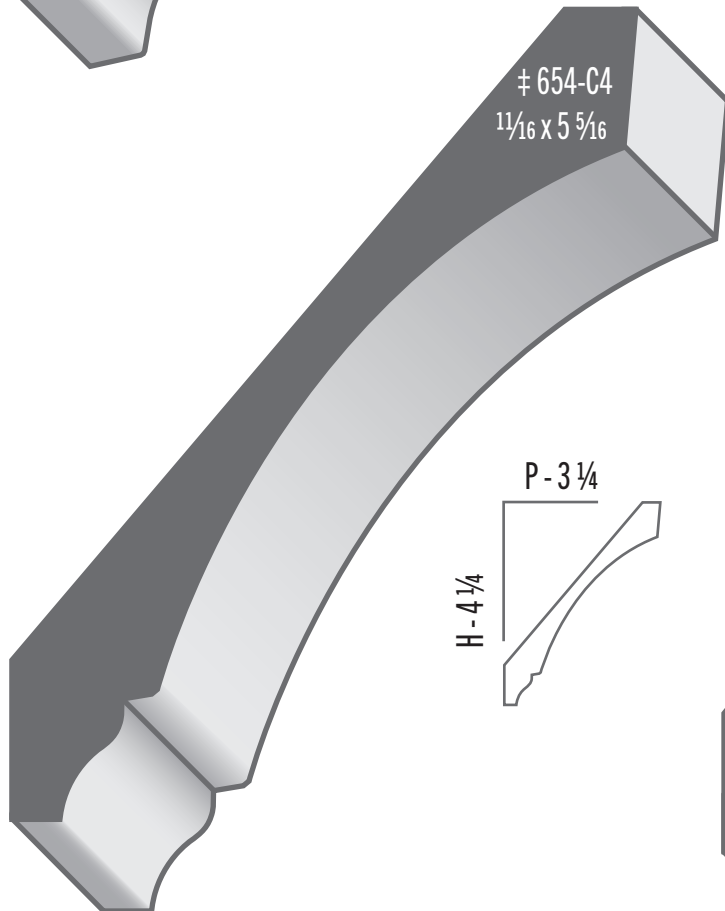
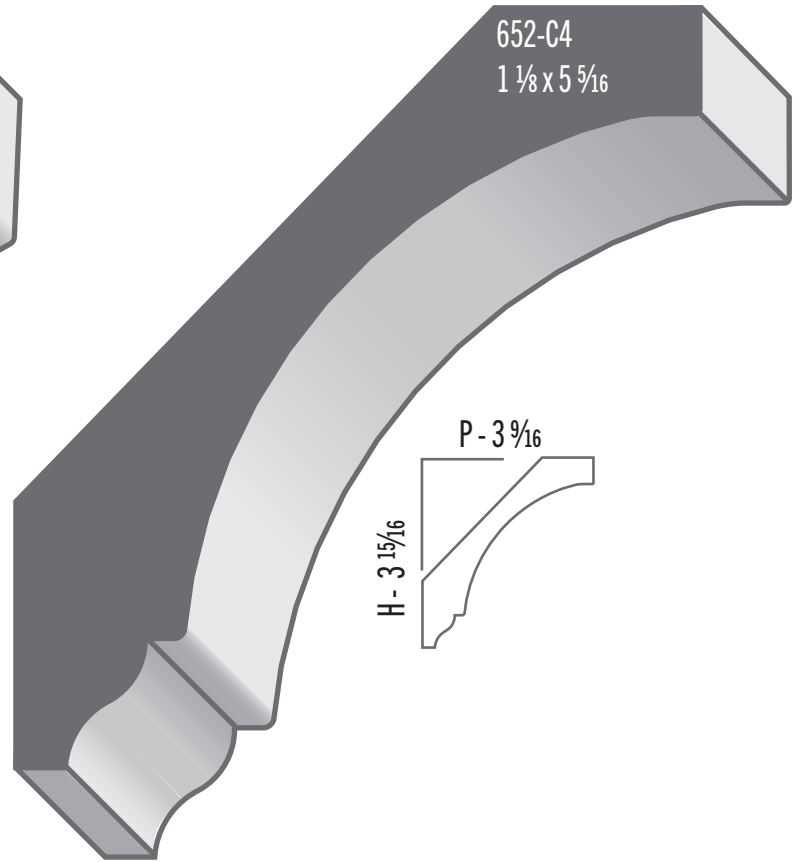
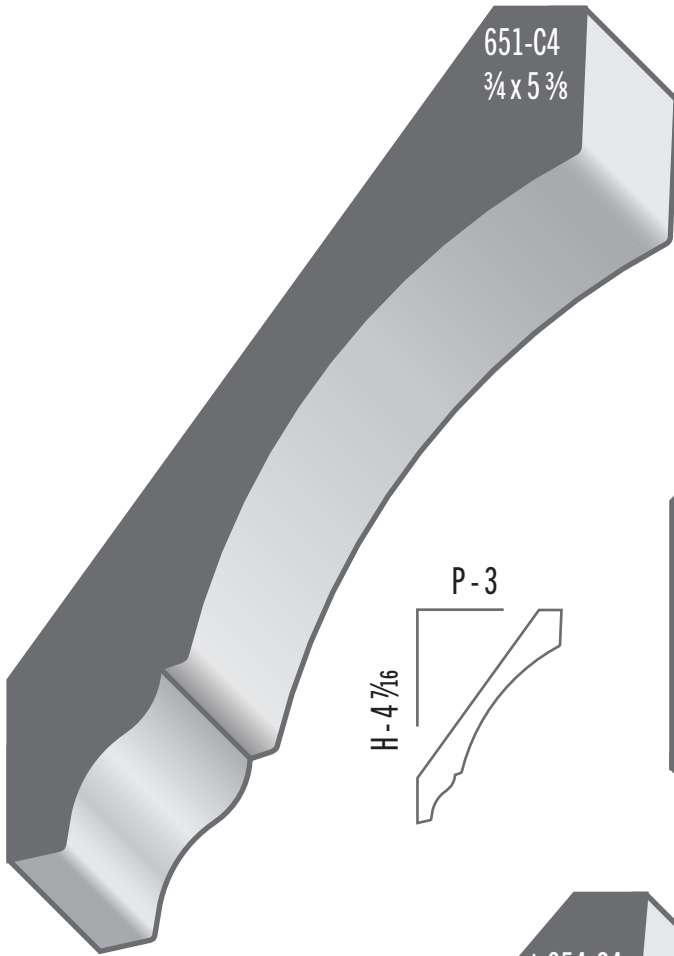
‡ Sample missing

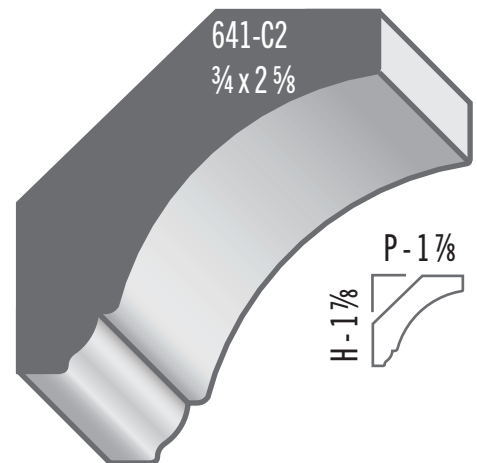
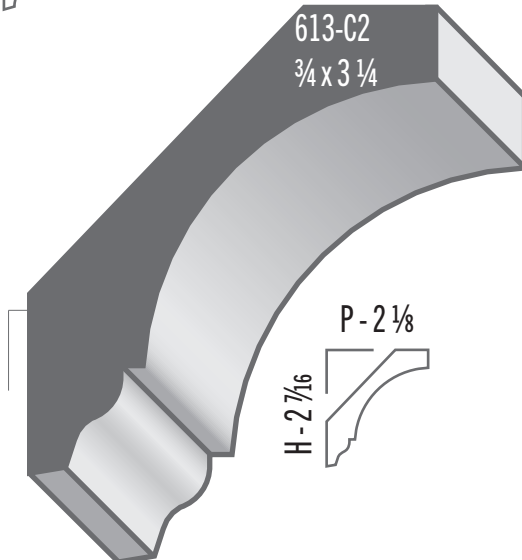
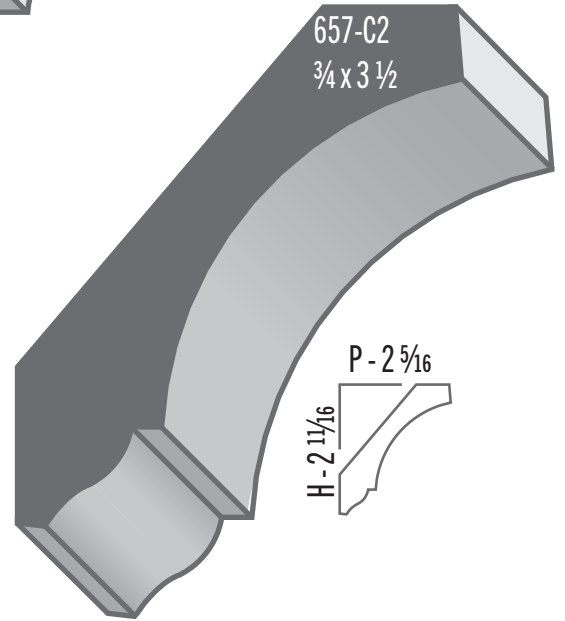
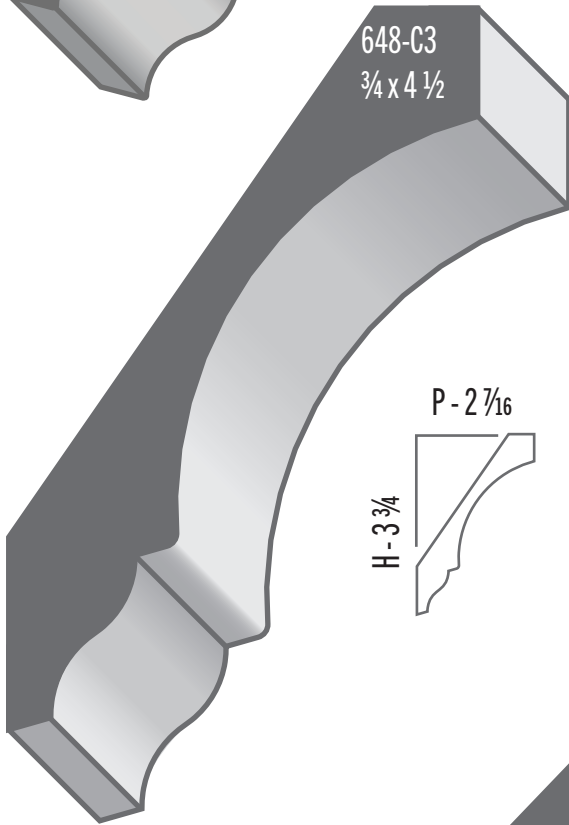
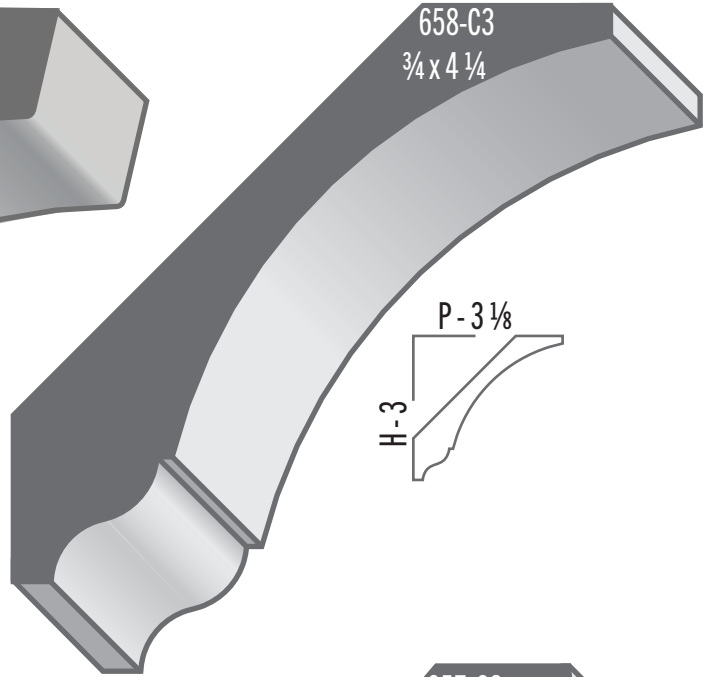
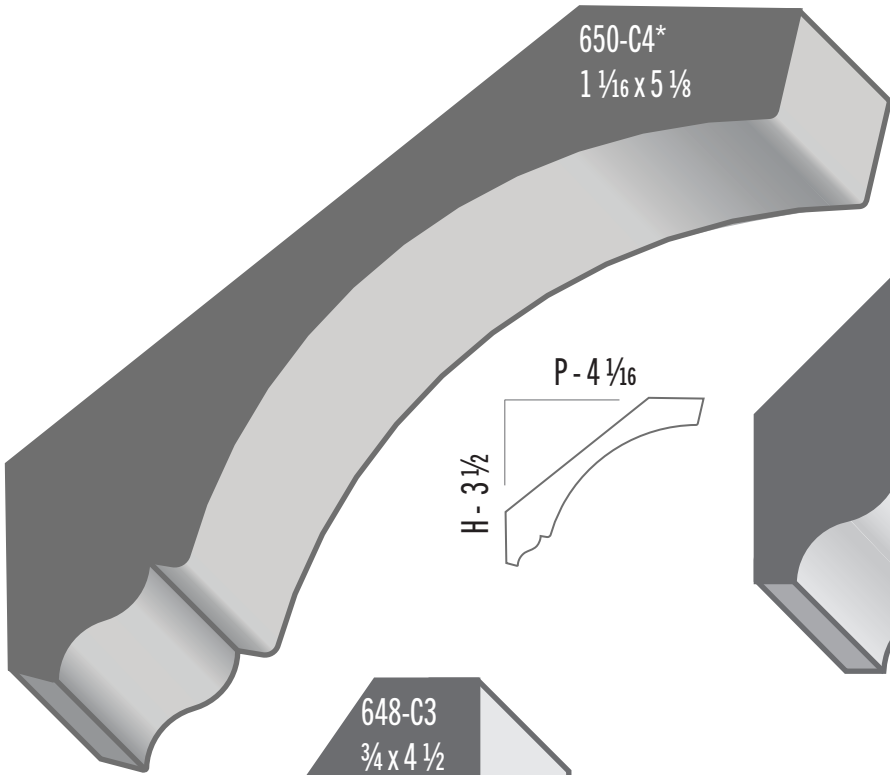






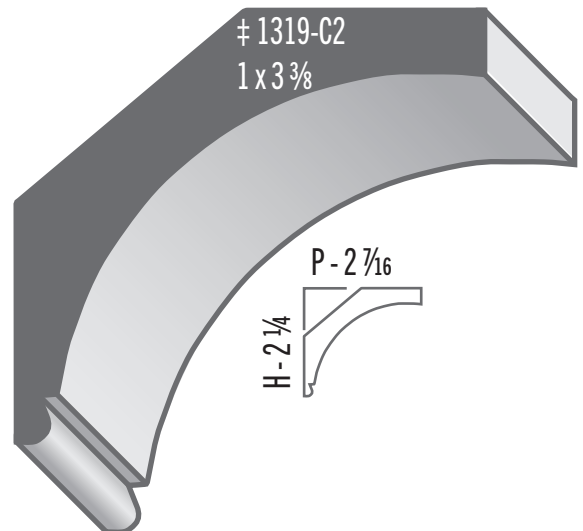
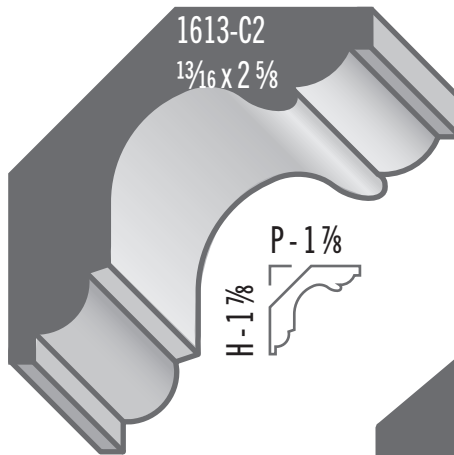
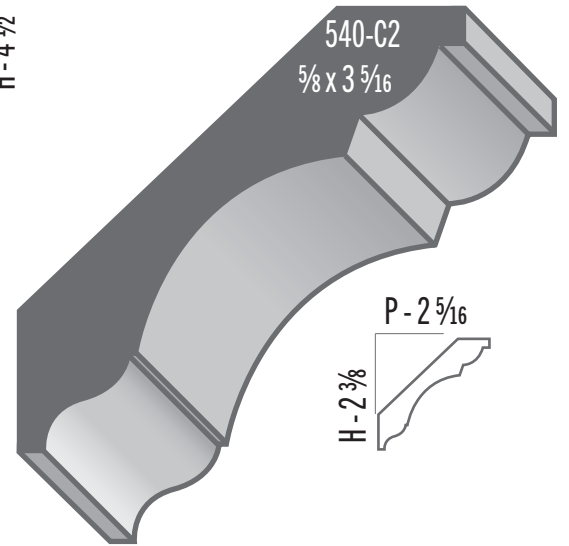
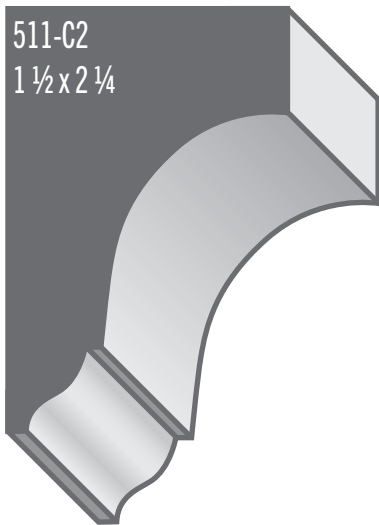
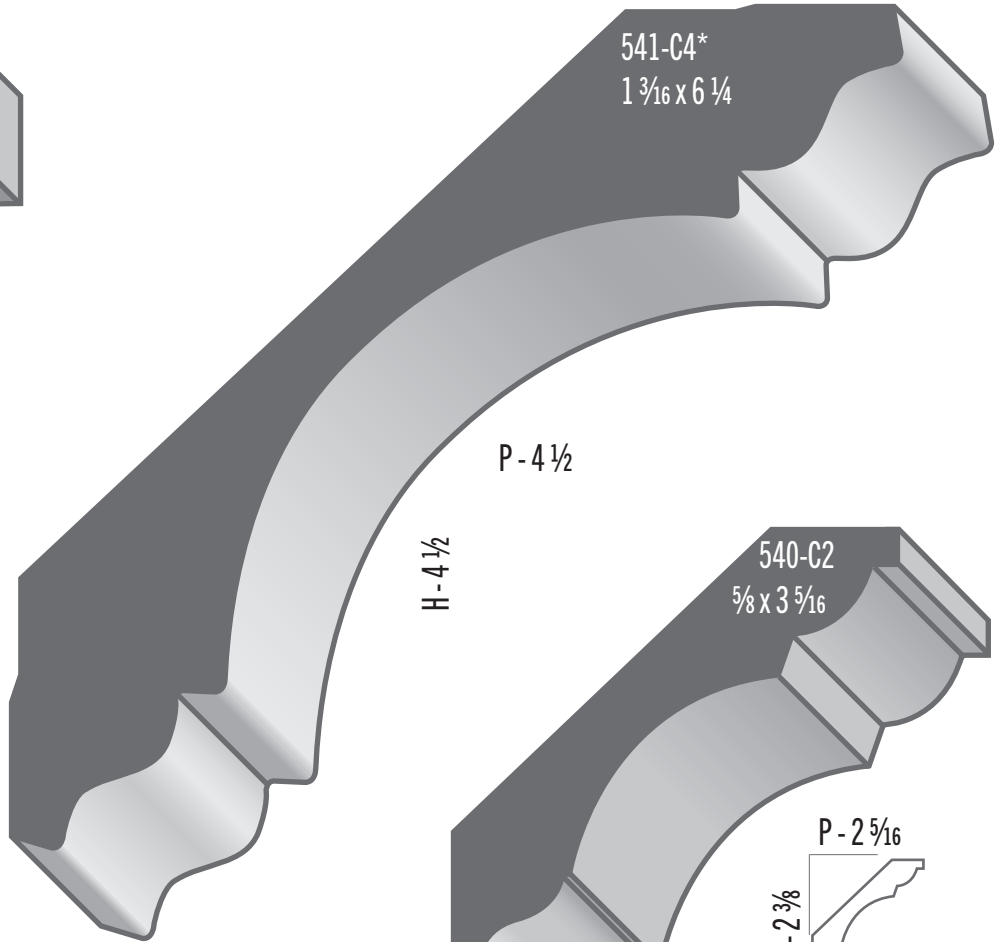
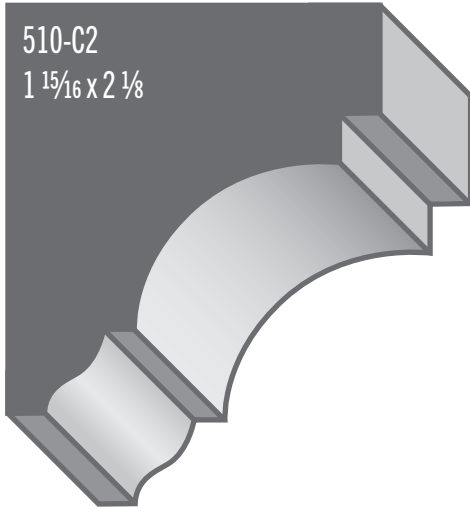
‡ Sample missing

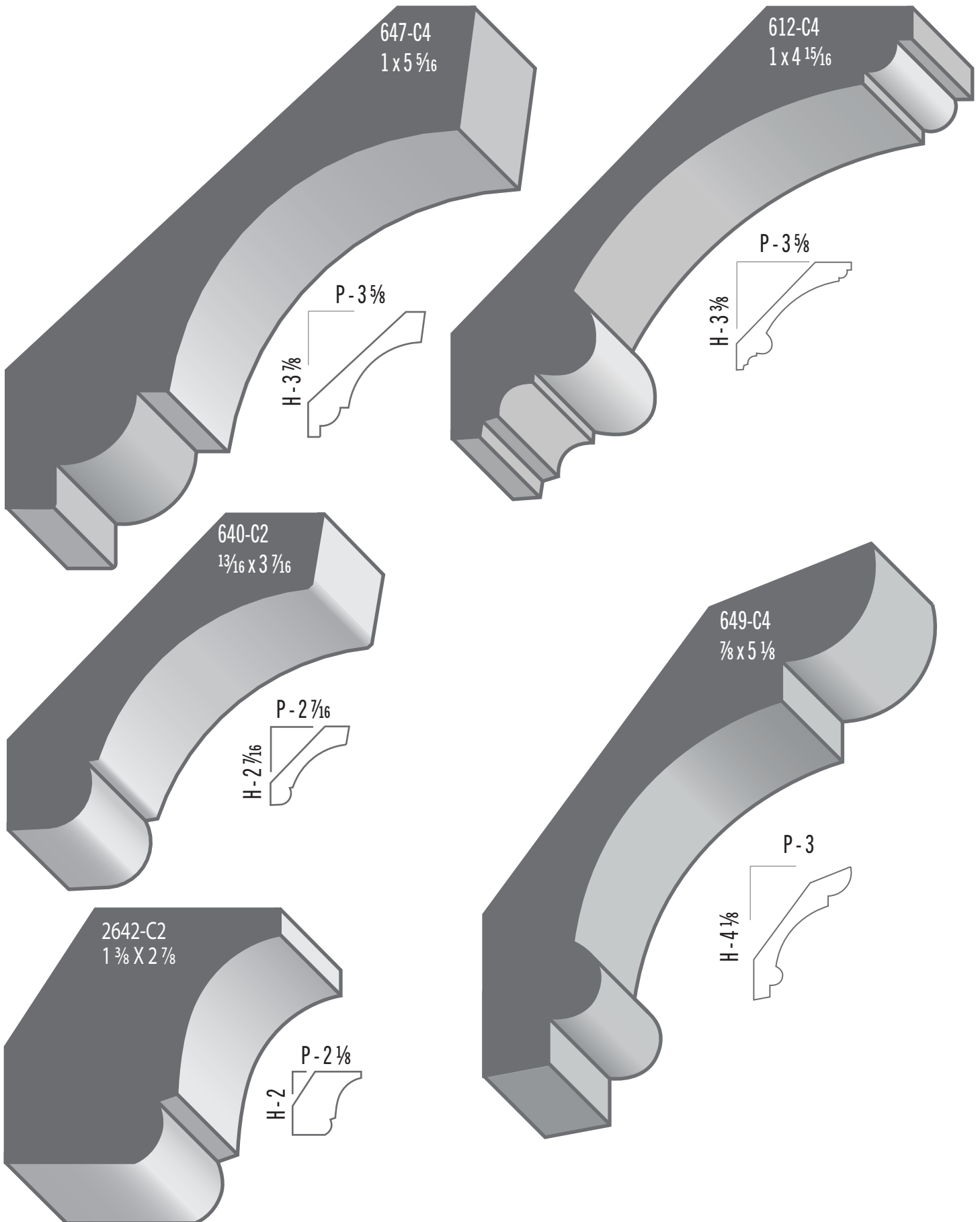


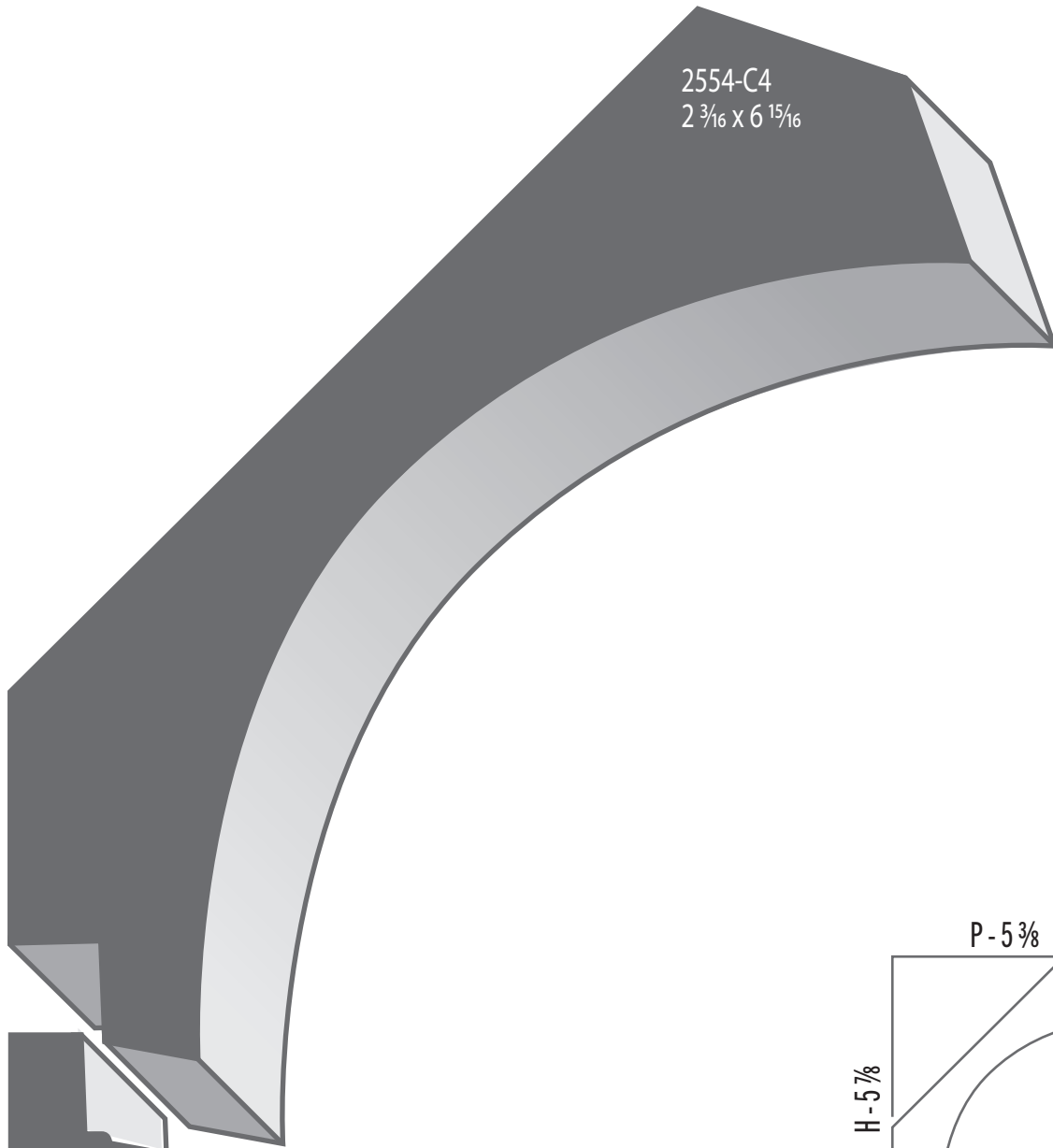




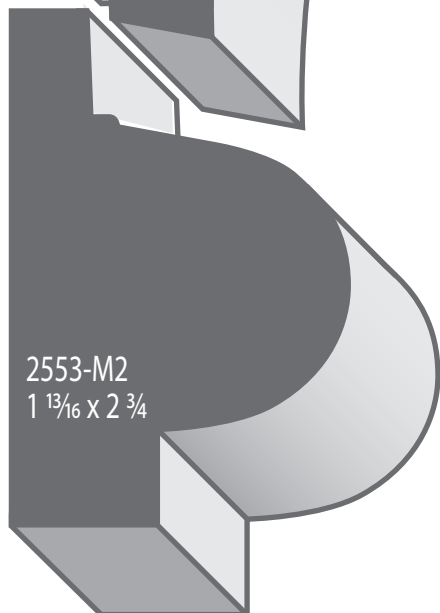
‡ Sample missing



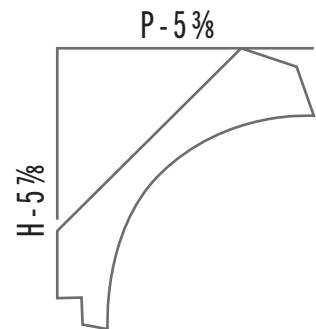




2554-C4
2 ³/₁₆ X 6 ¹⁵/₁₆

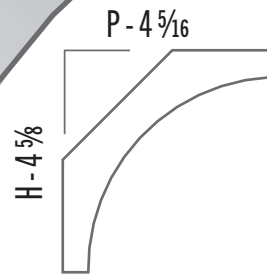
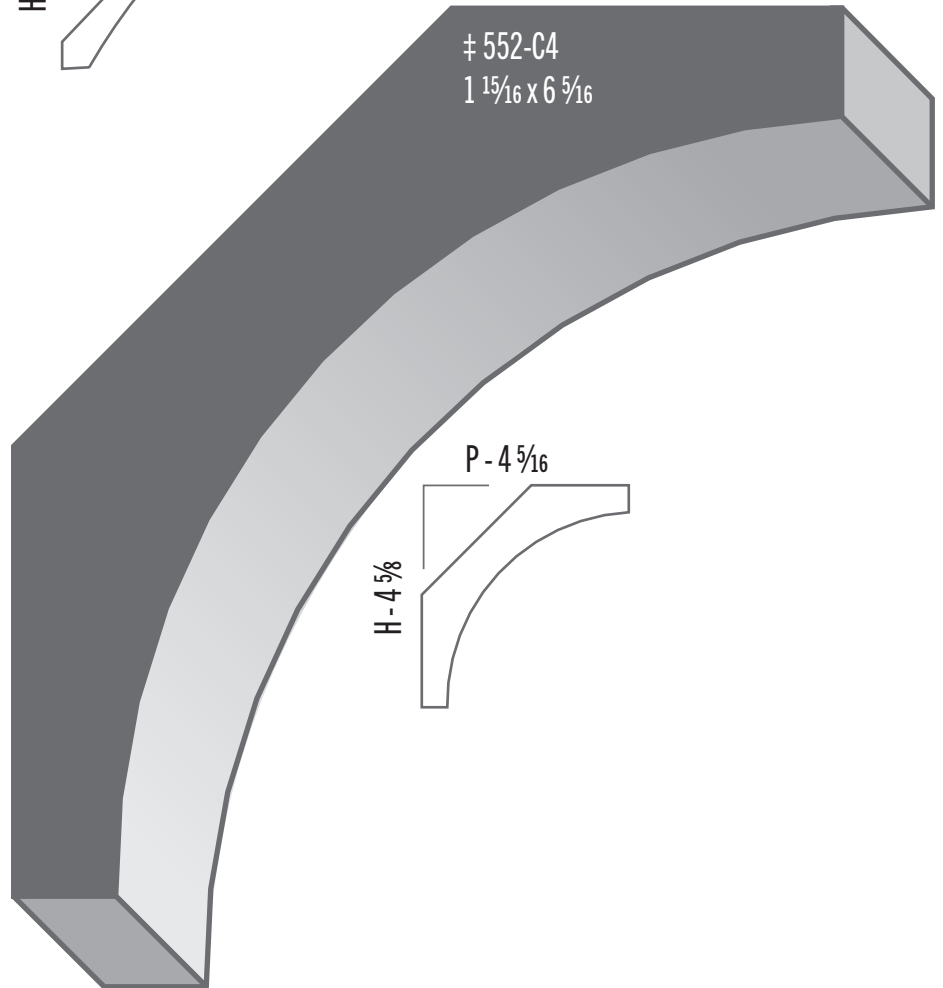
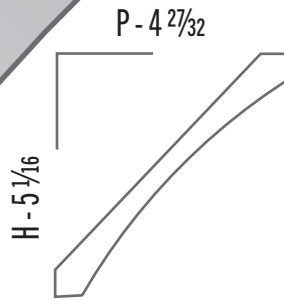
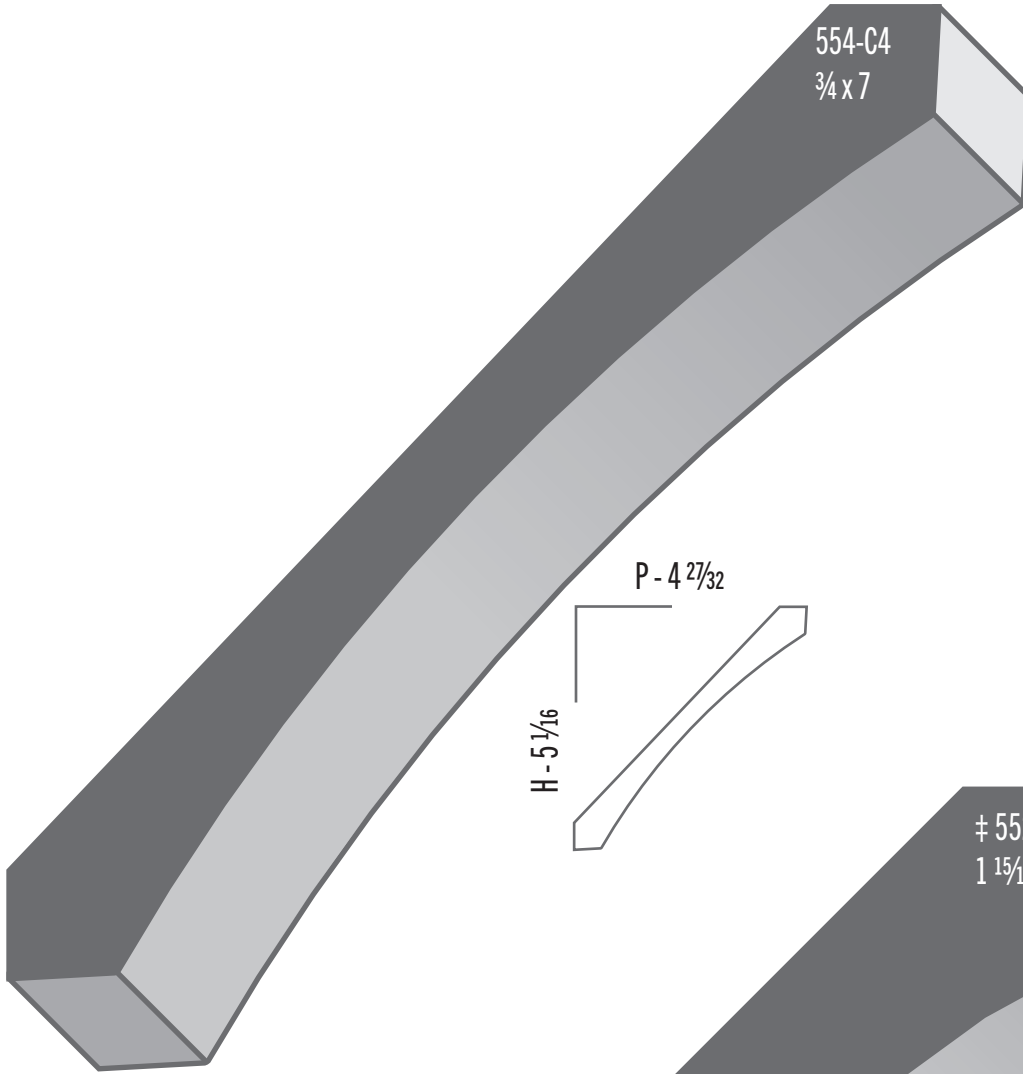


2553-M2
1 ¹³/₁₆ X 2 ³/₄



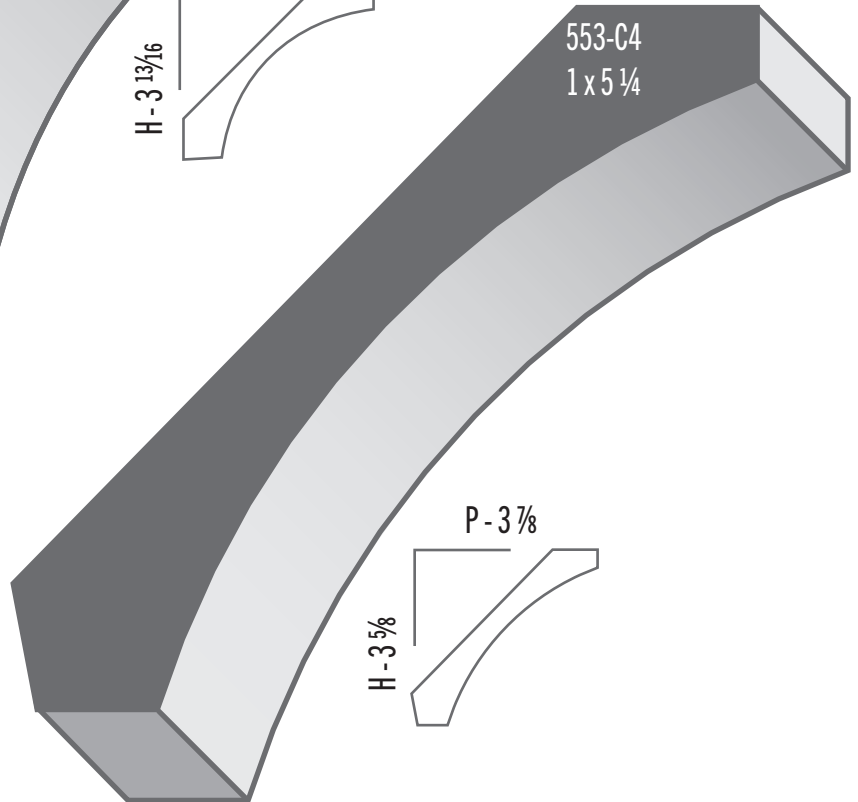
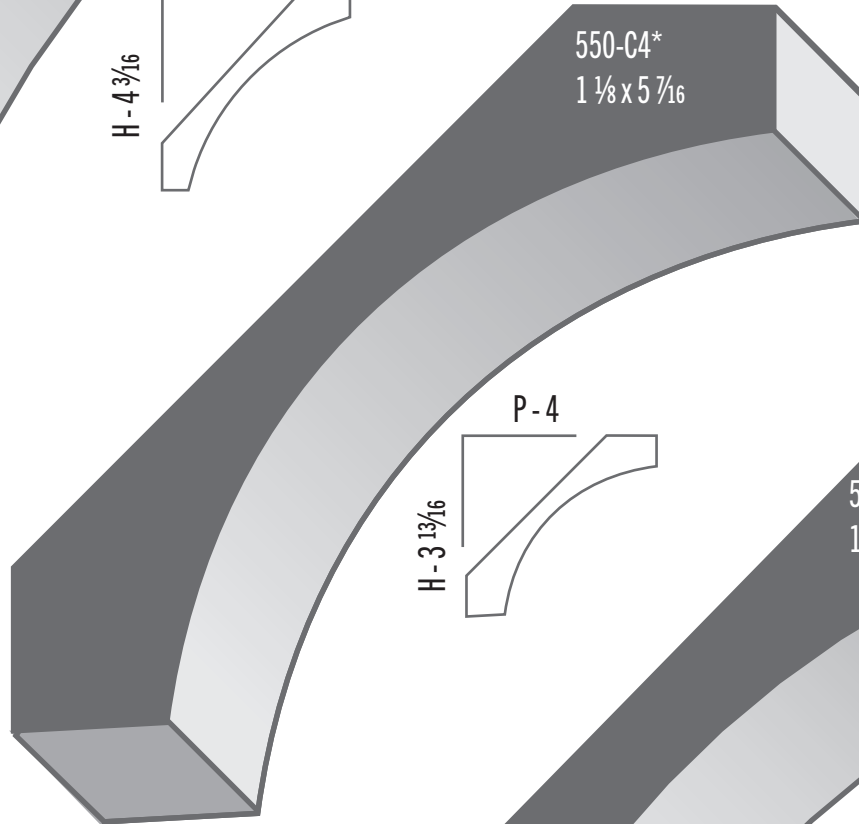
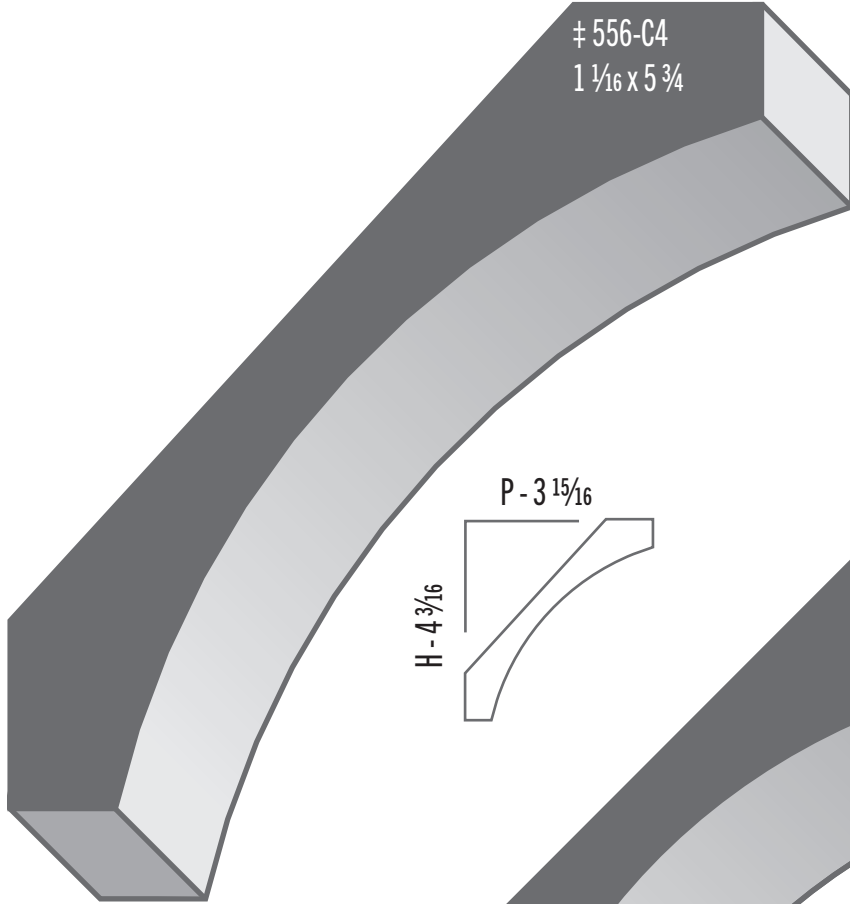


‡ Sample missing



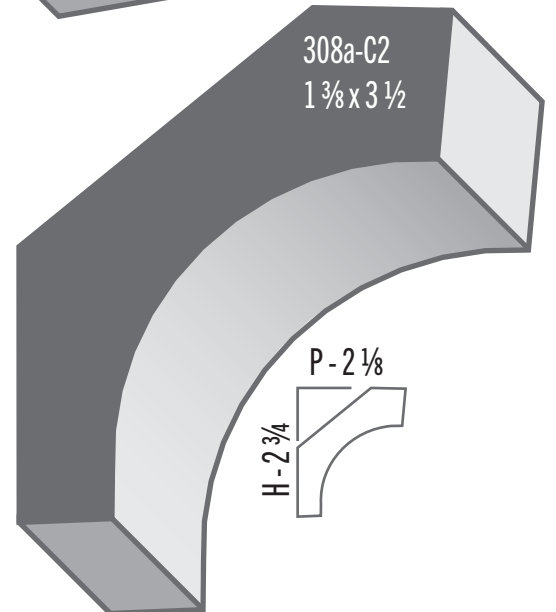
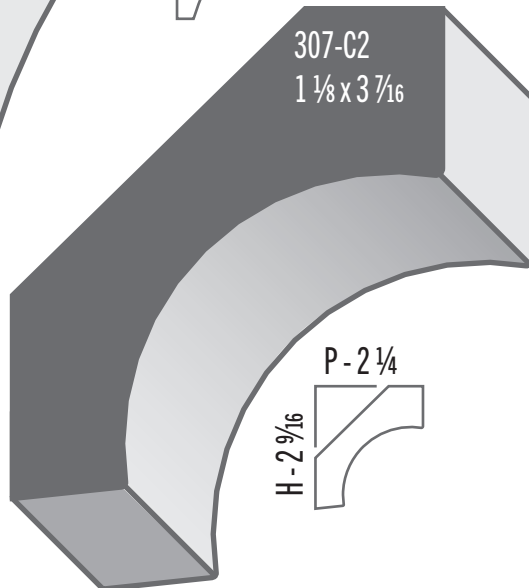
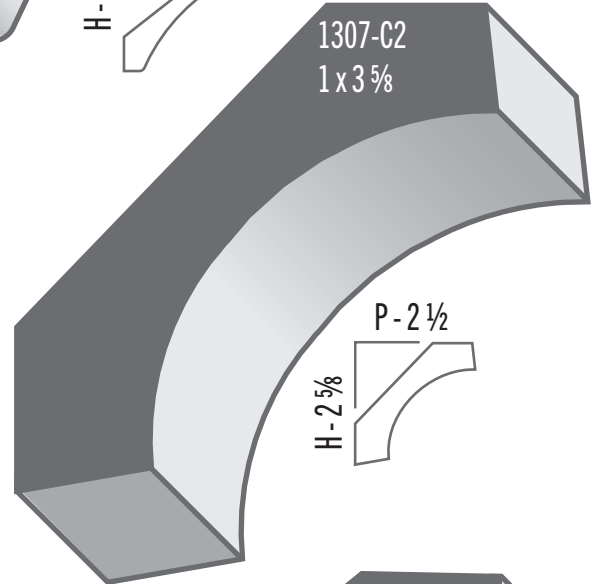
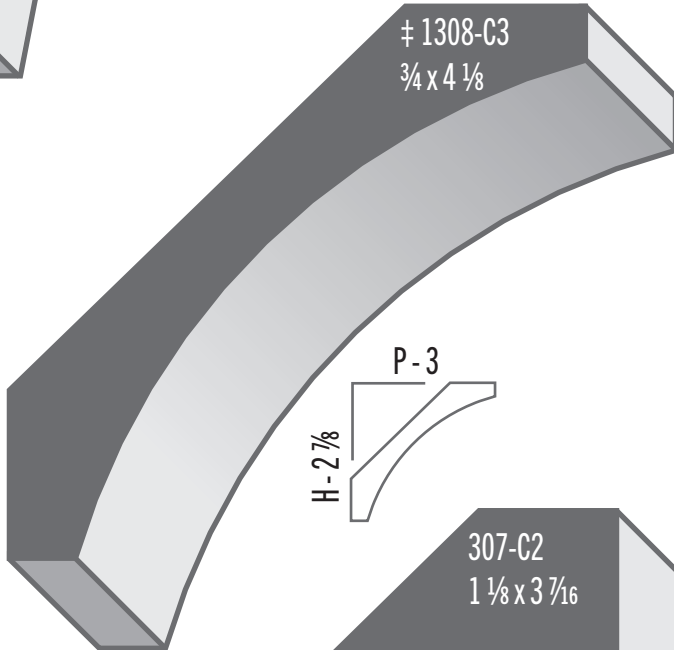
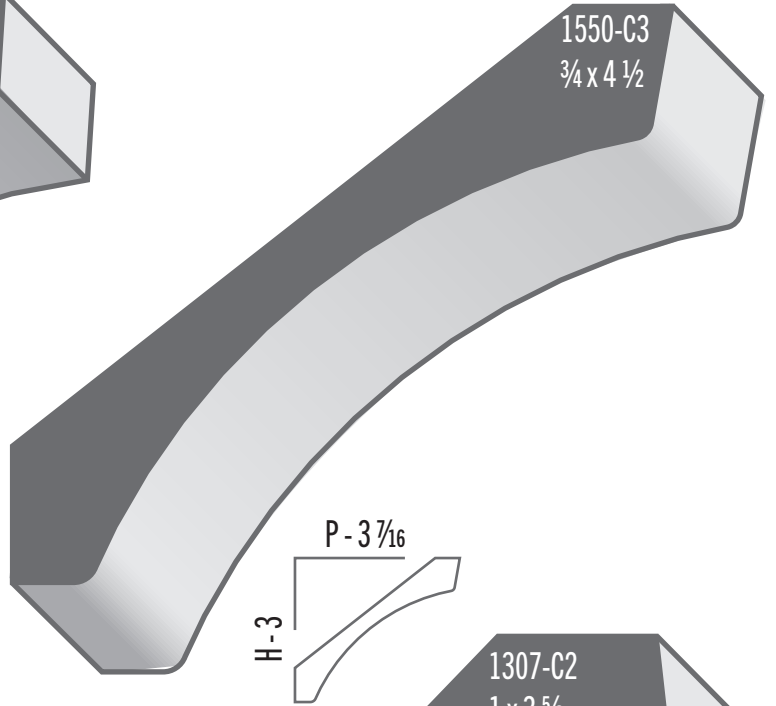
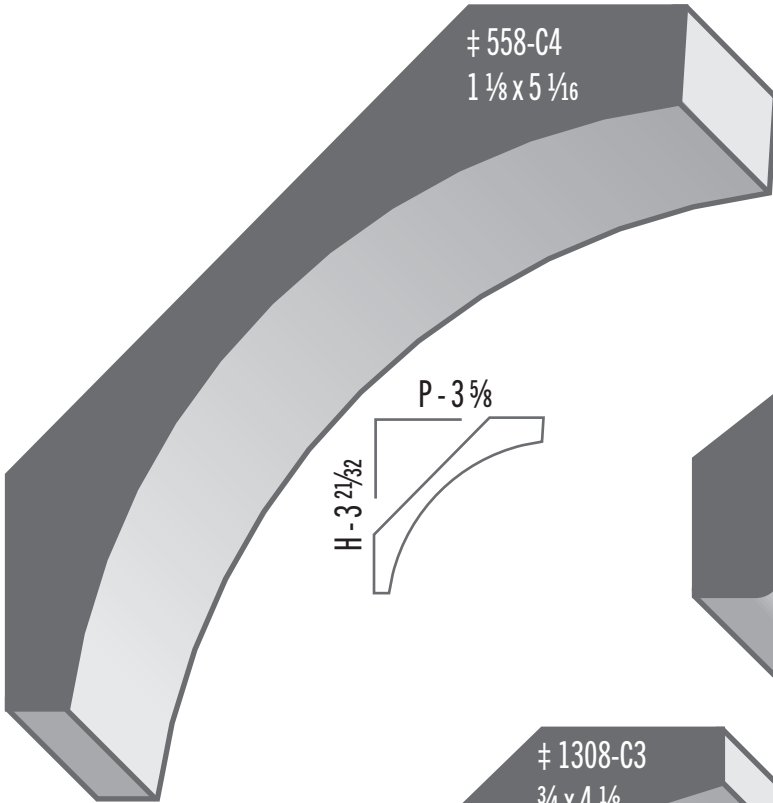


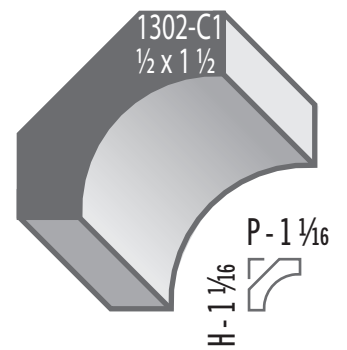
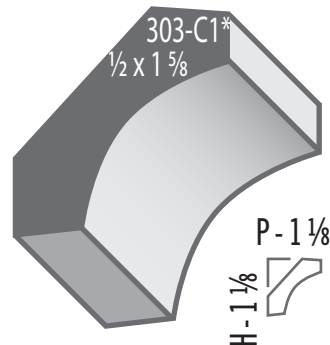
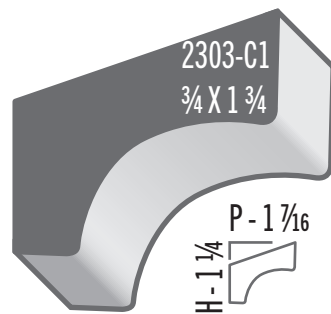
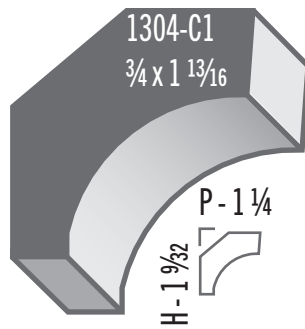
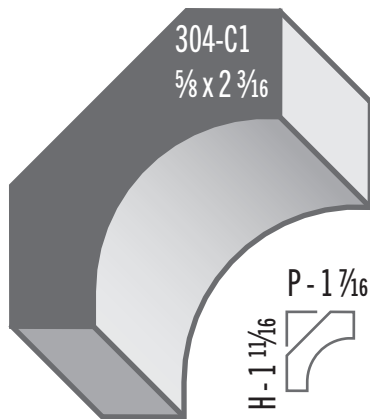
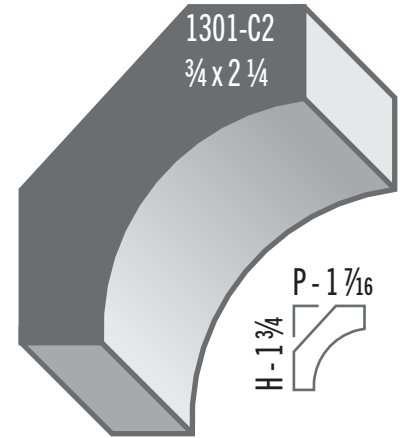
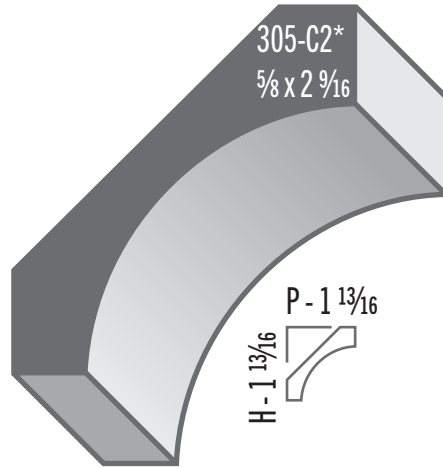
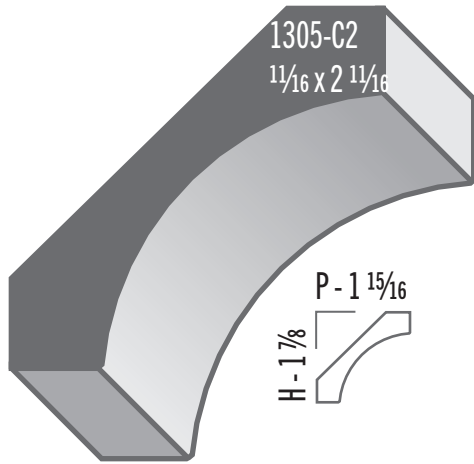
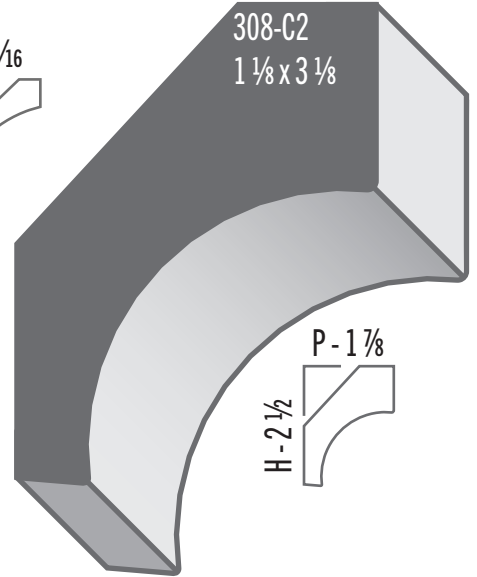
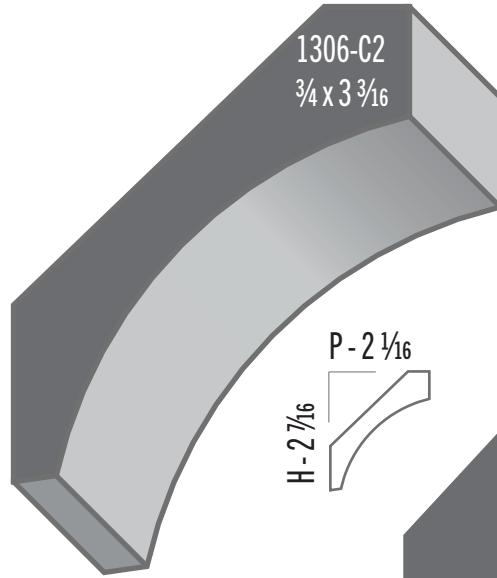
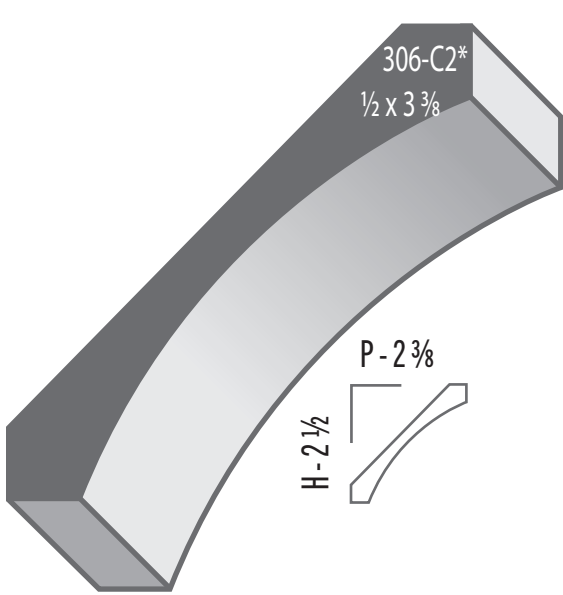
‡ Sample missing





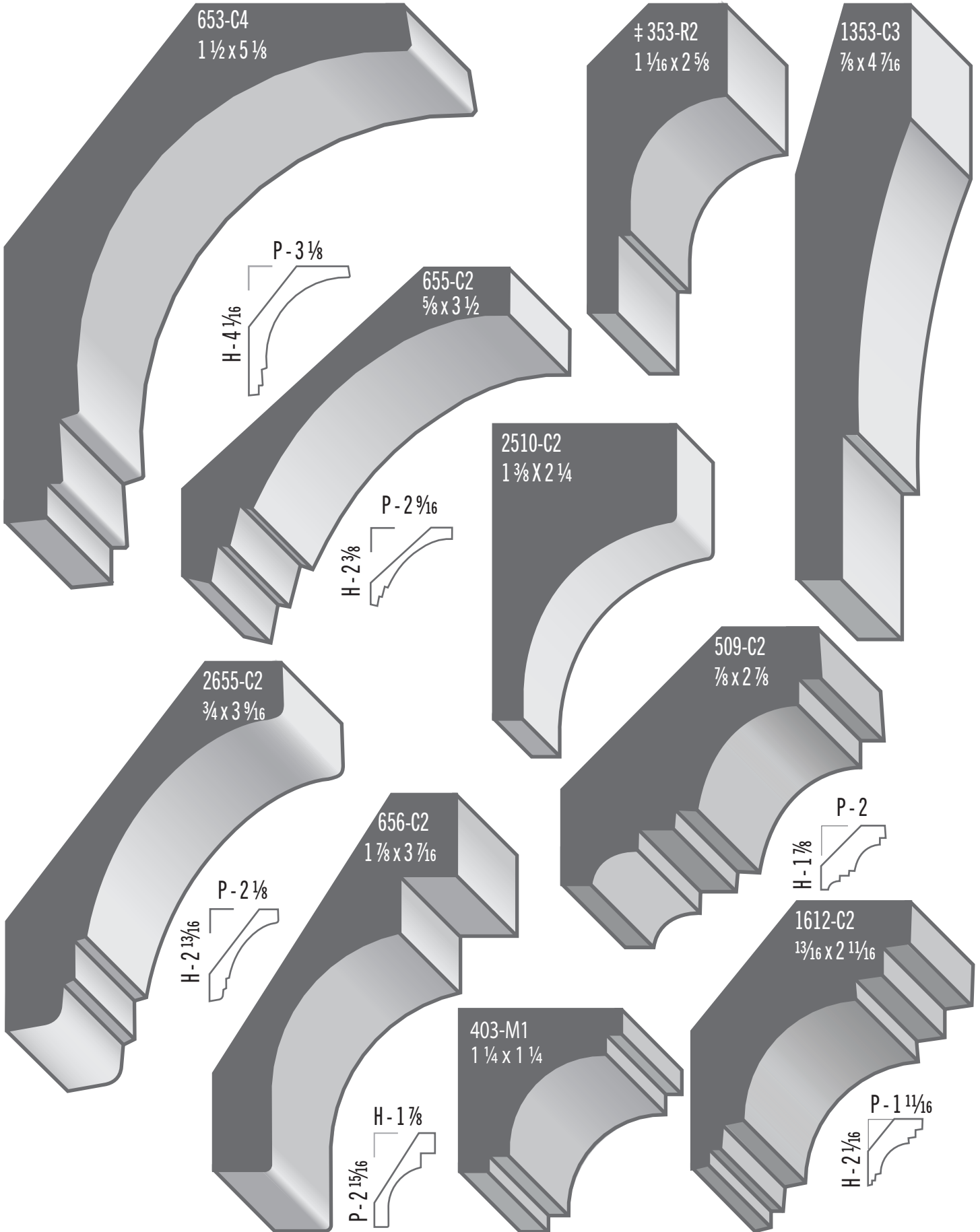
‡ Sample missing

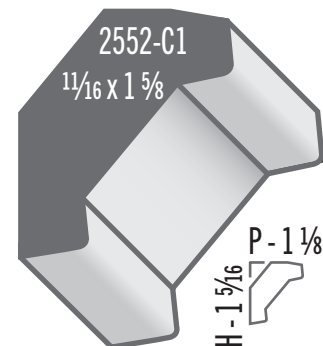
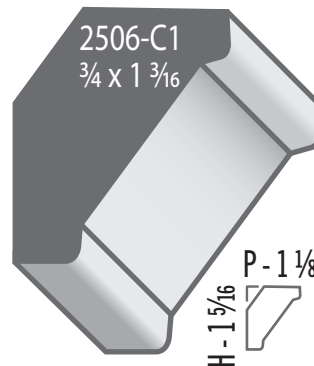
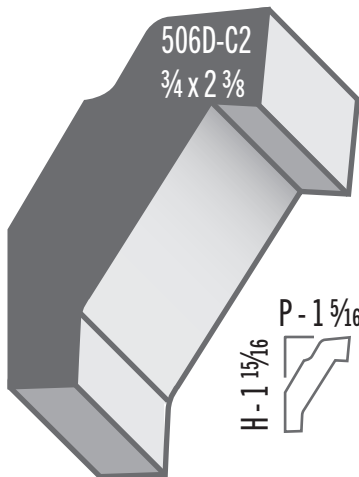
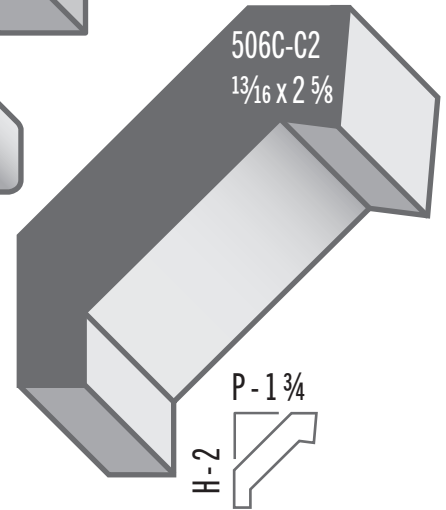
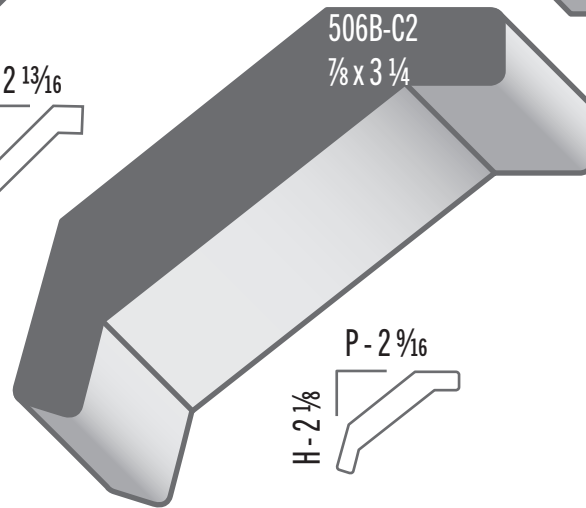
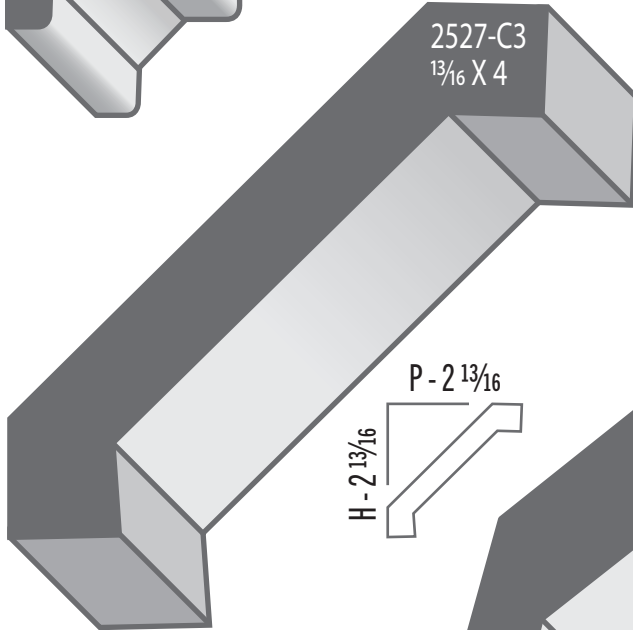
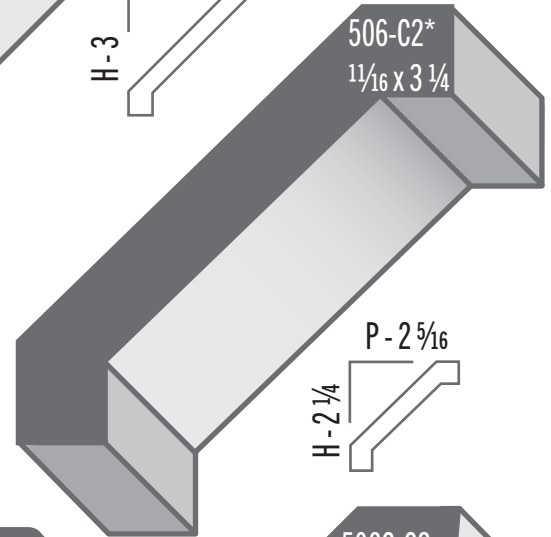
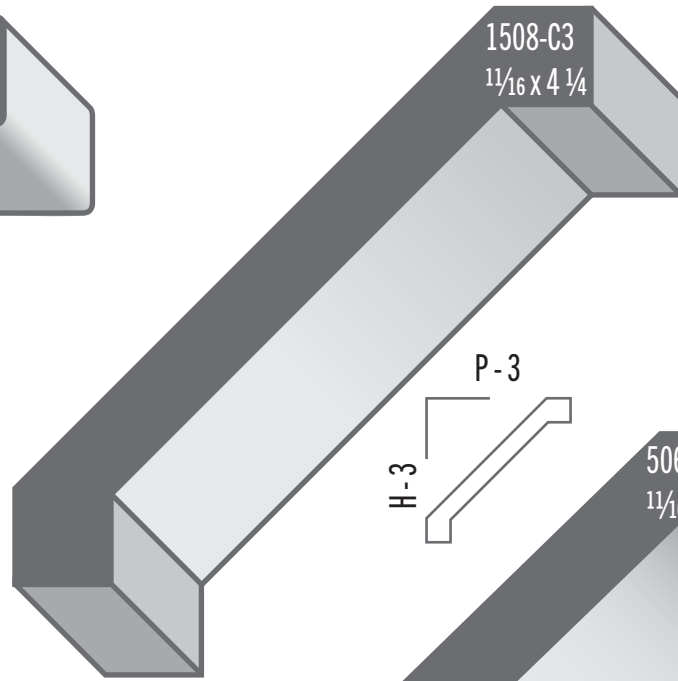
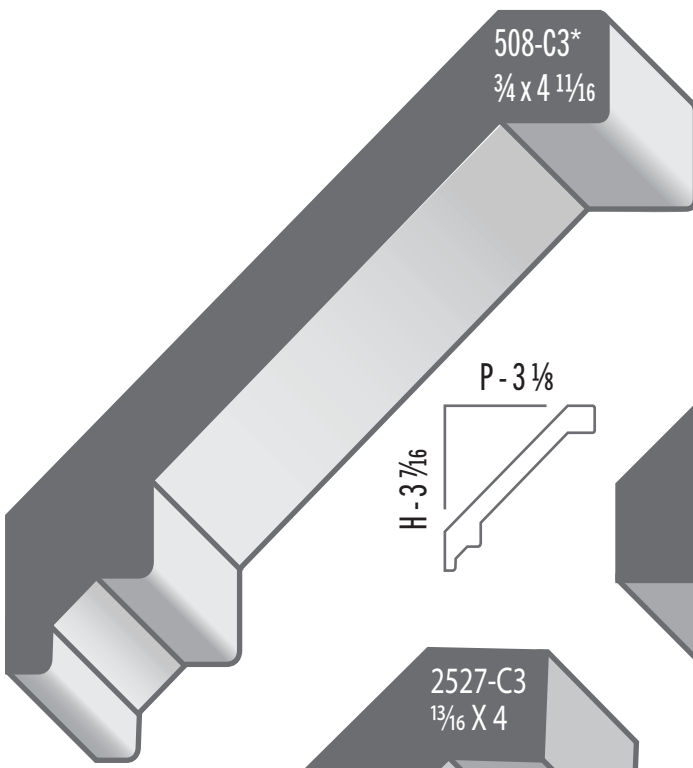


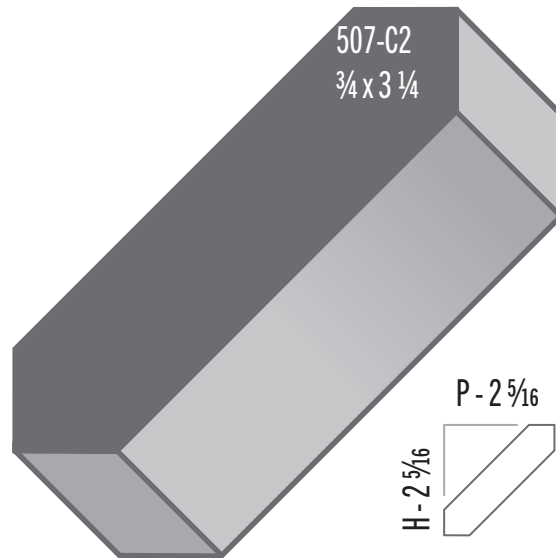
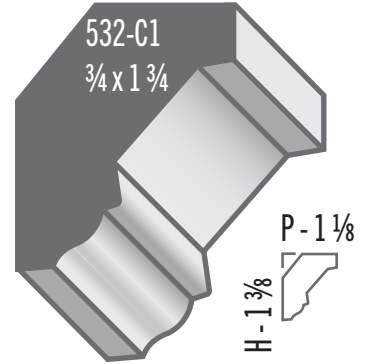
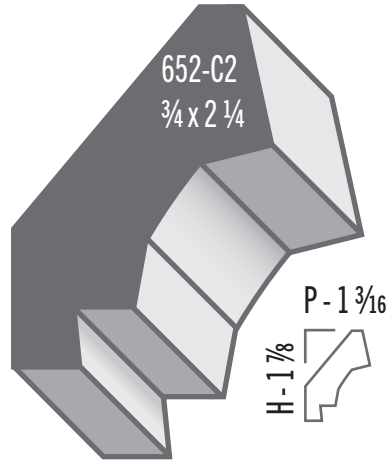
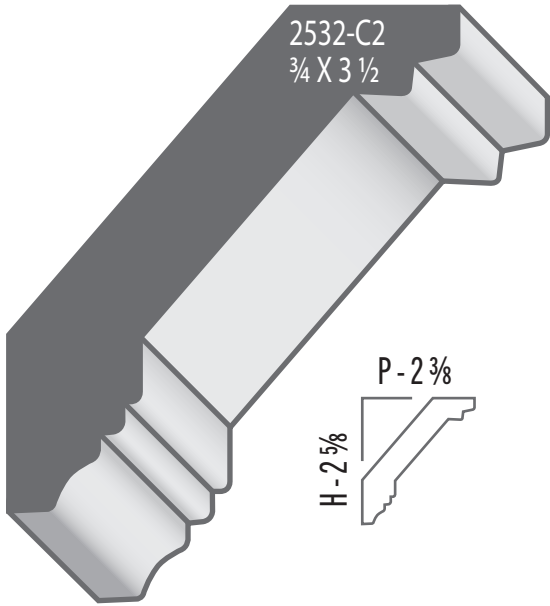


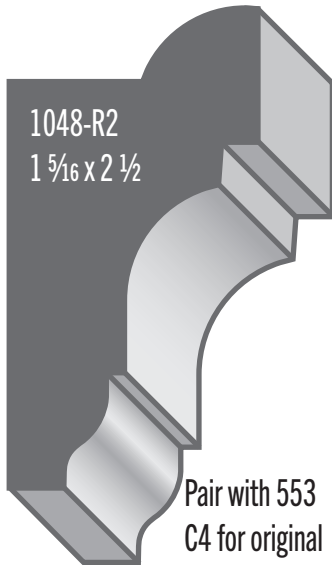
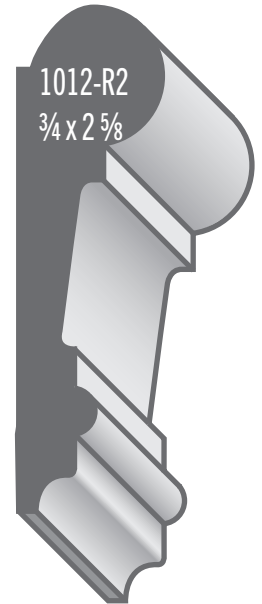
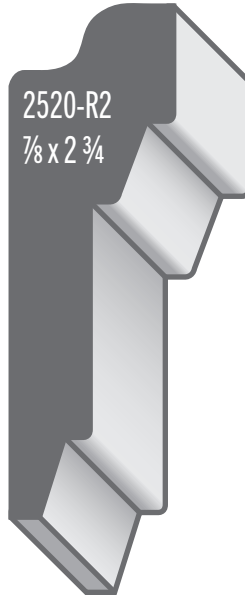


‡ Sample missing









Pair with 553
C4 for original
buildup

