

# Section A - Crowns & Picture Rails

## McCOY MILLWORK

Custom Shop Services

For custom profiles pricing is determined by the chosen species of wood and quantity. Provide the following:

1. A sample or scale drawing of the profile.
2. Amount of moulding needed in Lineal Feet.
3. Preferred species of wood.
4. Preferred final finish (paint or stain).

Send us your information via email or come in for a quote. You can expect to hear from us regarding pricing in 2 days.

Manufacturing time varies: 2 days-2 weeks.

Profile #	Pg #	Profile #	Pg #	Profile #	Pg #	Profile #	Pg #
040 C4 Crown	27	479-P2 Bed Moulding	6	547-C2 Bed Moulding	4	633-C4 Crown	18
043-C4 Crown	10	505-R2* Picture Rail	41	548-C2 Crown	25	634-C3 Crown	17
132-R2 Picture Rail	41	506B-C2 Crown	38	549-C2 Crown	25	635-C2 Crown	24
303-C1* Cove	36	506-C2* Shaker Cove	38	550-C4* Cove	34	636-C2 Crown	24
304-C1 Cove	36	506C-C2 Shaker Cove	38	551-C2 Crown	25	638B-C3 Crown	18
305-C2* Cove	36	506D-C2 Crown	38	‡ 552-C4 Cove	33	638-C3 Crown	18
306-C2* Cove	36	507-C2 Crown	39	553-C4 Cove	34	639-C3 Crown	13
307-C2 Cove	35	508-C3* Shaker Cove	38	554-C4 cove	33	640-C2 Crown	31
308A-C2 Cove	35	509-C2 Cove	37	‡ 556-C4 Cove	34	641-C2 Crown	30
308-C2 Cove	36	510-C2 Cove	30	‡ 558-C4 Cove	15, 35	642-C2 Crown	27
309-C1 Bed Moulding	5	511B-C2 Crown	9	558-C4 Cove Crown	35	643-C2 Crown	16
309-C2 Bed Moulding	5	511-C2 Cove	30	570B-C4 Crown	8	643-C3 Crown	17
310-C1* Bed Moulding	5	511C-C2 Crown	9	570-C4 Crown	7	644-C2 Crown	20
313-C4* Crown	13	511D-C2 Crown	9	571-C4 Crown	11	645-C3 Crown	16
315b-C2 Crown	14	511E-C2 Crown	9	572-C4 Crown	11	646-C4 Crown	10
315-C2* Crown	25	514-C2* Shingle	9	573-C4 Crown	8	647-C4 Crown	31
316-C1 Crown	9	515-C2* Crown	9	574-C4 Crown	7	648-C3 Crown	29
317-C2 Crown	21	519-C2 Crown	9	575-C4 Crown	7	649-C4 Cove	31
318-C2 Bed Moulding	5	‡ 521-C3 Crown	8	576-C4 Crown	16	650B-C4* Cove	28
319-C2 Crown	14	523-M1* Shingle	9	577-C3 Crown	16	650-C4* Crown	29
321-C2 Bed Moulding	5	526-C2 Bed Moulding	5	577-C4 Crown	11	651-C4 Crown	28
350B-C1 Crown	15	532-C1 Crown	39	608-C2 Crown	15	652-C2 Shaker Crown	39
350-C1* Crown	15	537-C2 Bed Moulding	9	612-C2 Crown	24	652-C4 Crown	28
‡ 353-R2 Cove	37	538-C2 Crown	16	612-C4 Crown	31	653-C4 Cove	37
353-R2 Cove Crown	37	539-C2 Crown	27	613-C2 Crown	29	‡ 654-C4 Cove	28
354-C2* Crown	15	540-C2 Cove	30	614-C2 Crown	27	655-C2 Cove	37
355-C2 Crown	15	540-C4 Crown	22	615-C1 Crown	24	656-C2 Cove	37
370B-C2 Crown	21	541-C4* Cove/Crown	30	615-C2 Crown	24	657-C2 Crown	29
370-C2 Crown	21	542B-C4 Crown	26	616-C4 Crown	27	658-C3 Cove Crown	29
403-M1 Crown	37	542-C3 Crown	25	617-C2 Crown	24	712-C3* Crown	23
447-P1 Bed Moulding	6	544-C3 Crown	21	618-C2 Crown	24	713-C3 Crown	20
474-P1 Bed Moulding	6	544-C4 Crown	21	619-C3 Crown	23	713-C4 Crown	19
475-P1 Bed Moulding	6	545-C3 Crown	16	629-C3 Crown	17	‡ 716 C4 Crown	19
476-P1 Bed Moulding	6	546-C2 Bed Moulding	21	631-C2 Crown	20	716-C4 Crown	19
477-P1 Bed Moulding	6	‡ 546-C4 Bed Moulding	4	632B-C2 Crown	23	717-C4 Crown	20
478 P1 Misc Mould	6	‡ 547B-C2 Bed Moulding	4	632-C2 Crown	24	718-C3 Crown	23



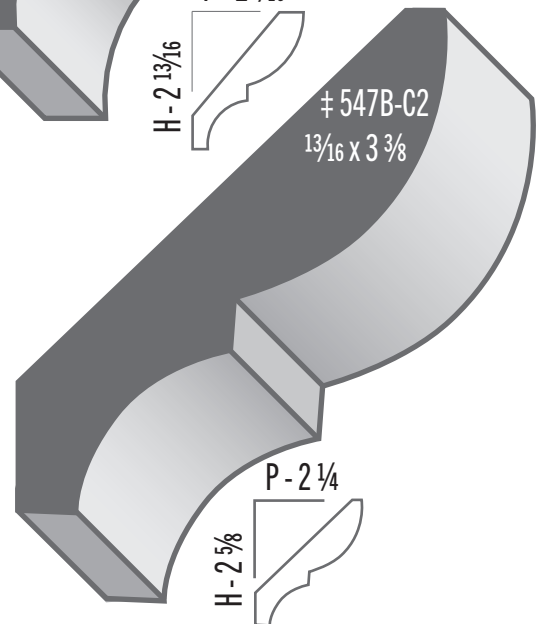
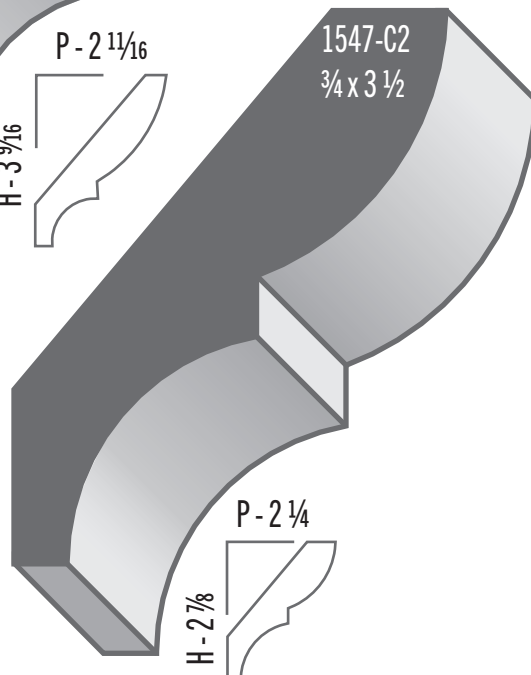
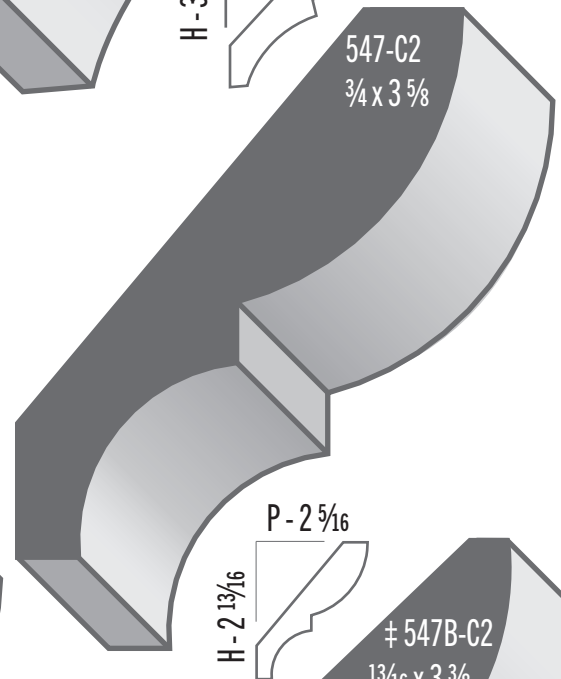
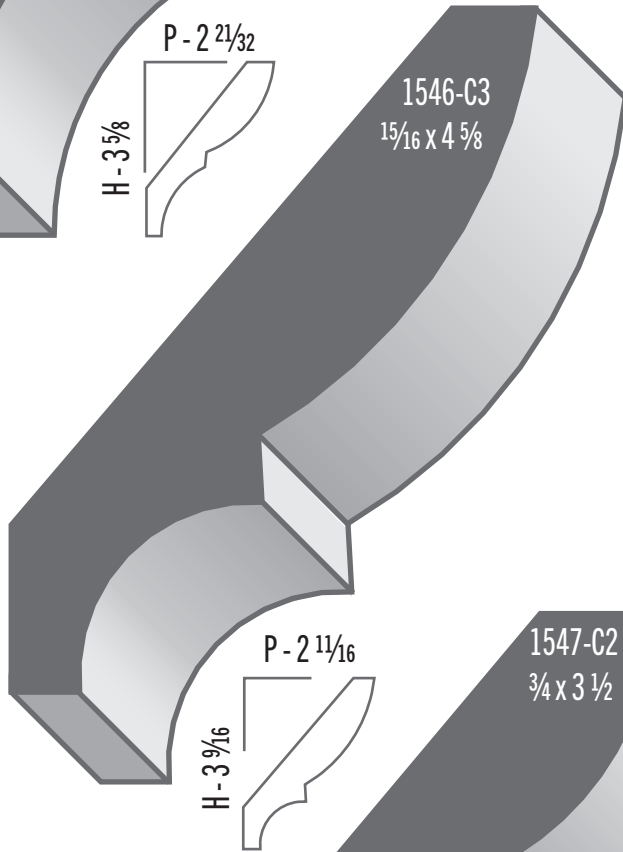
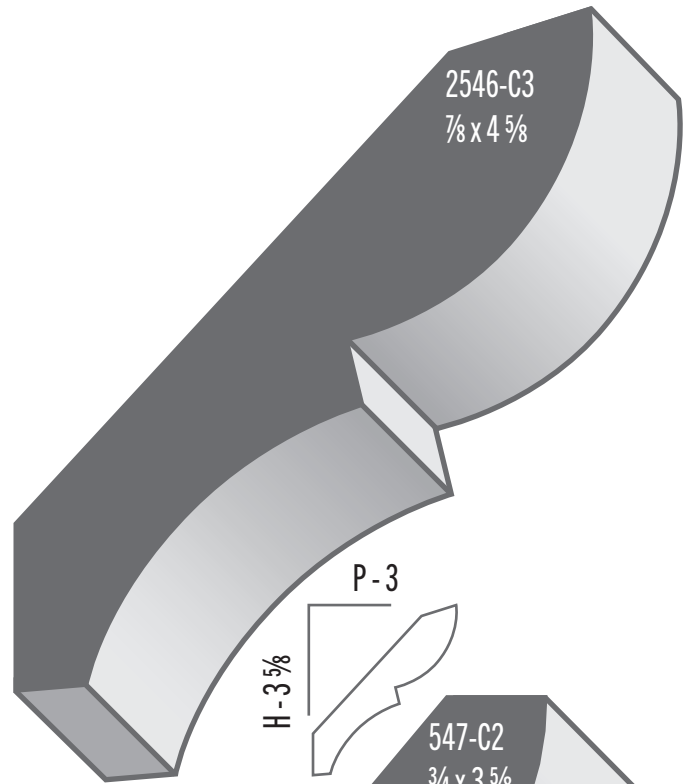
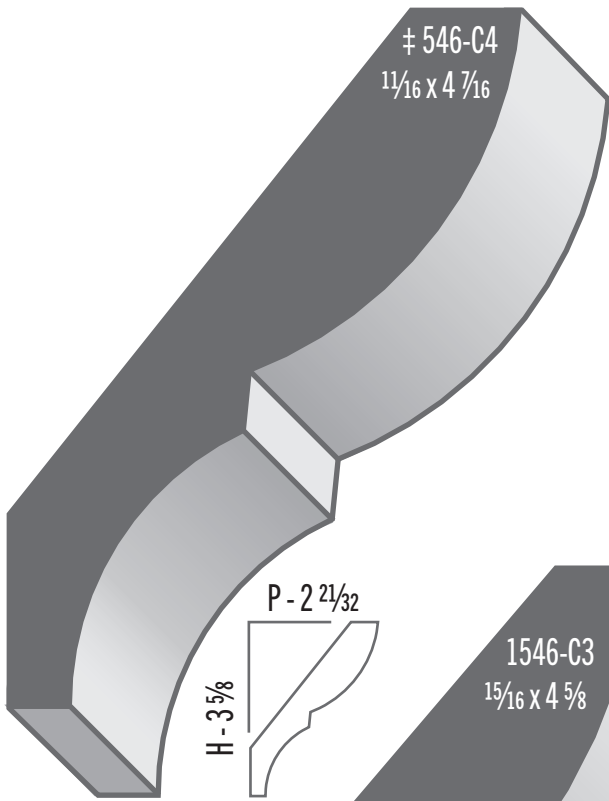
Profile #	Pg #	Profile #	Pg #	Profile #	Pg #	Profile #	Pg #
719-C4 Crown	20	1309-C2 Bed Moulding	5	2309-C2 Bed Moulding	6		
760B-M2 Bed Moulding	6	1310-C1 Bed Moulding	5	2310-C1 Bed Moulding	5		
760-M1 Bed Moulding	6	1311-C2 Bed Moulding	5	2311-C2 Bed Moulding	5		
762-M1 Bed Moulding	6	‡ 1312-C2 Crown	15	2312-C2 Crown	13		
1000-R2 Picture Rail	42	1313-C2 Crown	14	2313-C3 Crown	13		
1001-R2 Picture Rail	41	1315-C2 Crown	13	2314-C4 Crown	12		
1002-R2 Picture Rail	40	1316-C3 Crown	12	2350-C4 Crown	26		
1003 R2 Picture Rail	42	1317-C3 Crown	12	2351-C3 Crown	26		
1004-R2 Picture Rail	41	‡ 1319-C2 Cove	30	2506-C1 Shaker Crown	38		
1006B-R1 Picture Rail	42	1350-C1 Crown	26	2510-C2 Cove	37		
1006-R1 Picture Rail	42	1351-C1 Crown	15	2513-C2 Crown	8		
1007-R1 Picture Rail	42	1352B-C2 Crown	17	2517-R1 Picture Rail	41		
1008-R1 Picture Rail	42	1352-C2 Crown	15	2520-R2 Picture Rail	40		
1009-R1 Picture Rail	42	1353-C3 Cove	37	2521-C3 Crown	8		
1010-R1* Picture Rail	42	1508-C3 Shaker Cove	38	2527-C3 Shaker crown	38		
1011-R1 Picture Rail	42	1510B-C2 Picture Rail	41	2532-C2 Shaker crown	39		
1012-R2 Picture Rail	40	1511B-C2 Crown/Corbel	30	2545-C2 Crown	17		
1013-R2* Picture Rail	40	1516-P1 Picture Rail	42	2546-C3 Bed Moulding	4		
1014B-R1 Picture Rail	41	1517-P1 Shingle	9	2551-C2 Crown	25		
1014-R1 Picture Rail	42	1546-C3 Bed Moulding	4	2552-C1 Shaker Crown	38		
1015-R2 Picture Rail	41	1547-C2 Bed Moulding	4	2553-M2 Bead	32		
1016-R1* Picture Rail	42	1548-C3 Crown	21	2554-C4 Cove	32		
1017-R2 Picture Rail	40	1549-C4 Crown	25	2609-C2 Crown	15		
1018-R2 Picture Rail	40	1550-C3 Cove Crown	35	2610-C2 Crown	14		
1019-R1 Picture Rail	42	1607-C4 Crown	15	2638-C3 Crown	18		
1020-R2 Picture Rail	40	1608-C2 Crown	15	2639-C4 Ogee Crown	12		
1040-R2 Picture Rail	41	1609-C2 Crown	15	2642-C2 Cove	31		
1041-R2 Picture Rail	41	1610-C2 Crown	14	2655-C2 Cove	37		
1042-R2 Picture Rail	41	1611-C2 Crown	27	2657-C2 Cove Crown	29		
1043-R2 Picture Rail	40	1611-C3 Crown	27	2713-C4 Crown	19		
1044-R2 Picture Rail	40	1612-C2 Cove	37	2714-C4 Crown	22		
1045-R2 Picture Rail	40	1613-C2 Cove/ Crown	30	2748-M2 Misc/Bed mould	6		
1046-R2 Picture Rail	42	1638-C3 Crown	18	3314-C2 Bed Moulding	5		
1047-R2 Picture Rail	40	1639-C4 Crown	11				
1048-R2 Picture Rail	40	1640-C2 Crown	17				
1049-R2 Picture Rail	41	1641-C2 Crown	23				
1053-R2 Picture Rail	40	1704-R2 Picture Rail	42				
1144-R2 Picture Rail	40	1712-C3 Crown	23				
1191-R2 Picture Rail	41	1713-C4 Crown	19				
1192-R2 Picture Rail	41	1714-C3 Crown	22				
1301-C2 Cove Crown	36	1716-C3 Crown	22				
1302-C1 Cove	36	1813-M2 Bed Moulding	6				
1304-C1 Cove	36	2010-R1 Pict Rail	42				
1305-C2 cove	36	2015-R2 Picture Rail	41				
1306-C2 Cove	36	2019-R1 Picture Rail	42				
1307-C2 Cove	35	2040-R2 Pict Rail	40				
‡ 1308-C3 Cove	35	2303-C1 Cove	36				

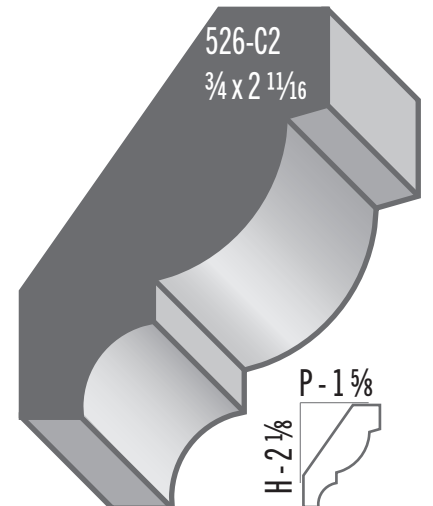
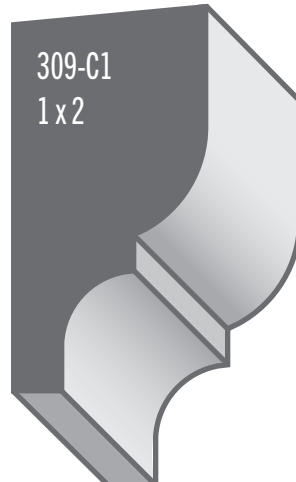
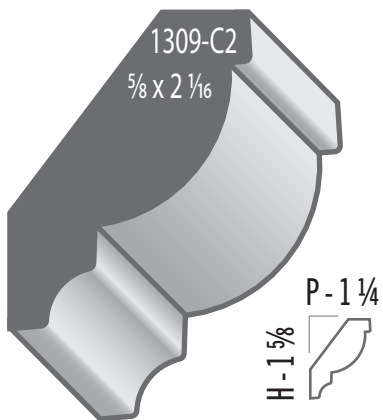
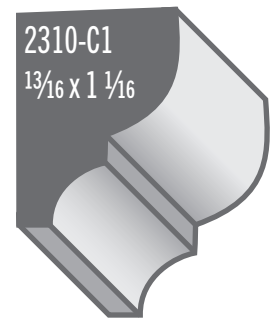
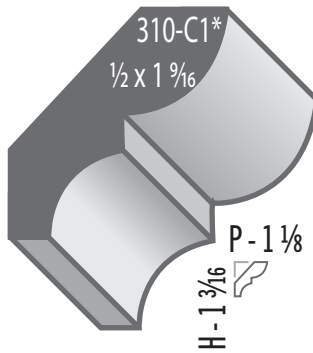
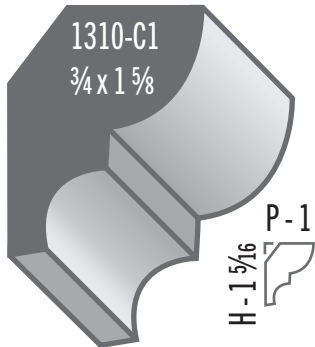
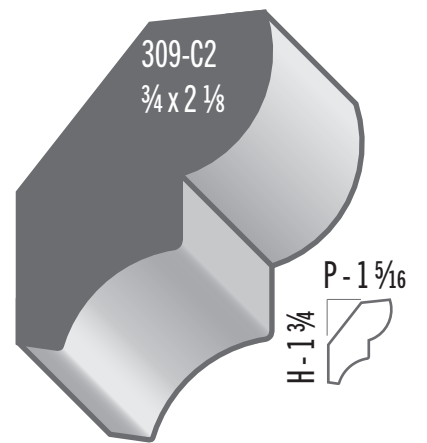
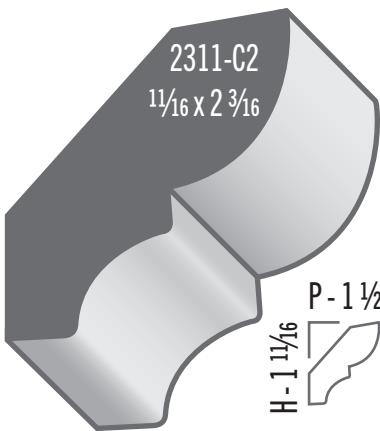
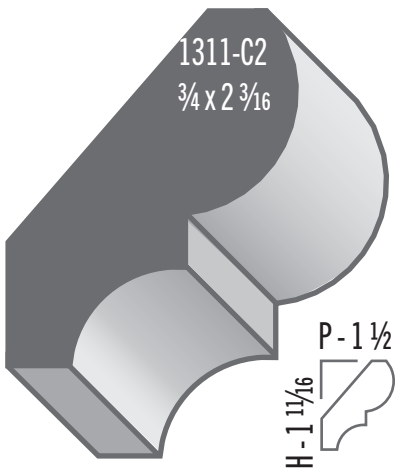
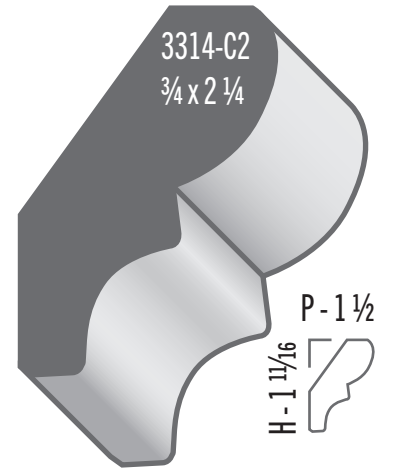
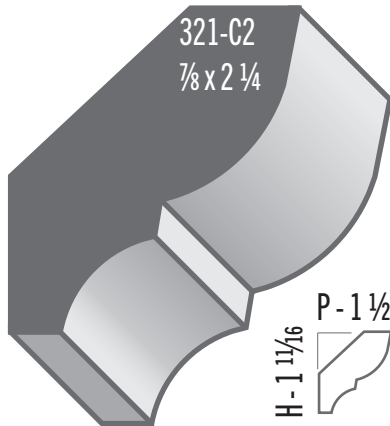
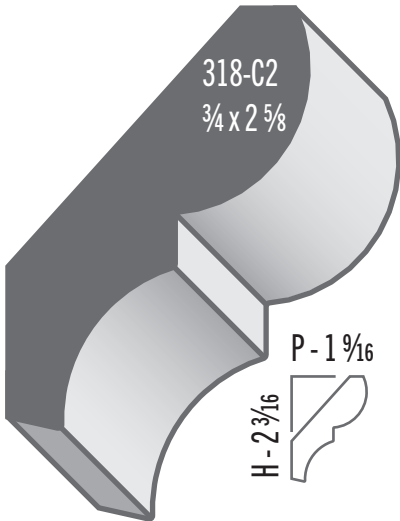
S

SNW-1010 Picture Rail 42



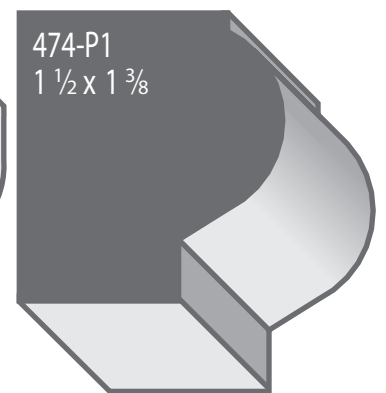
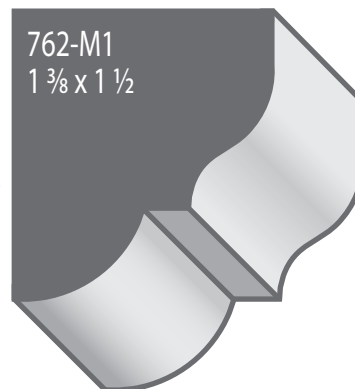
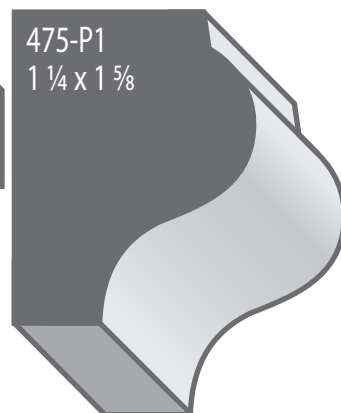
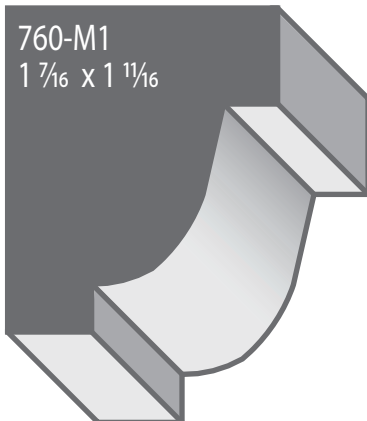
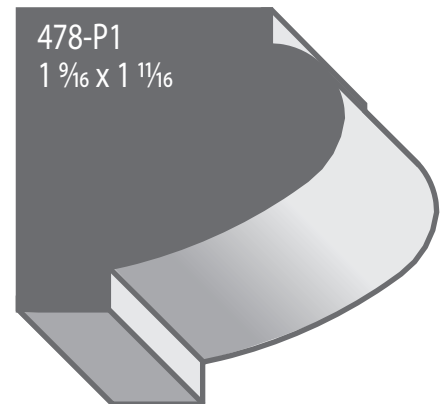
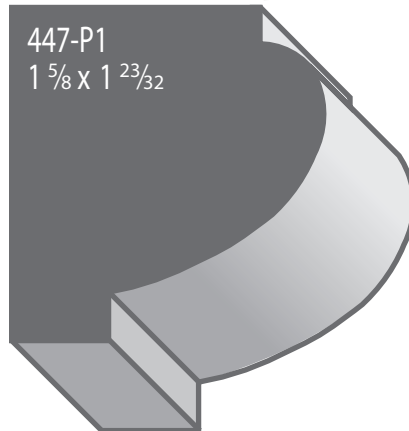
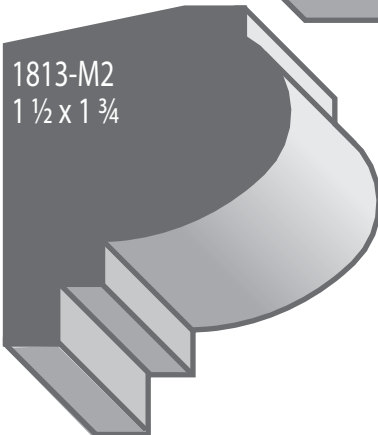
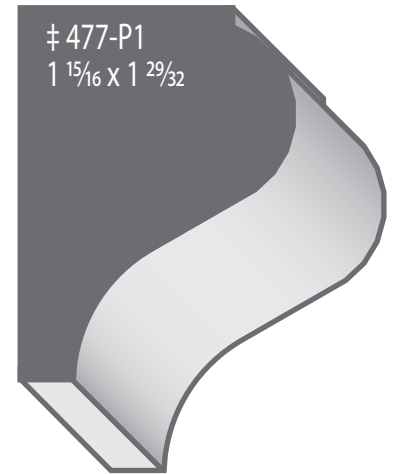
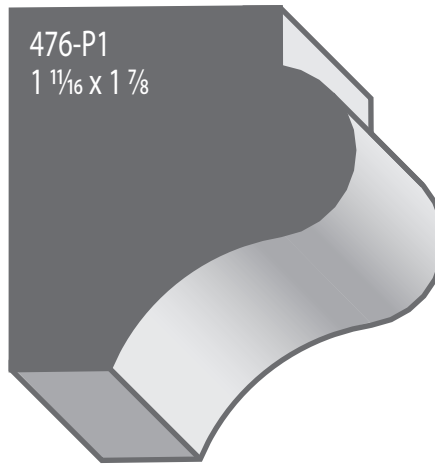
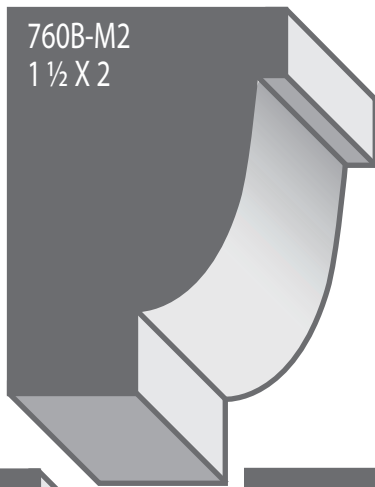
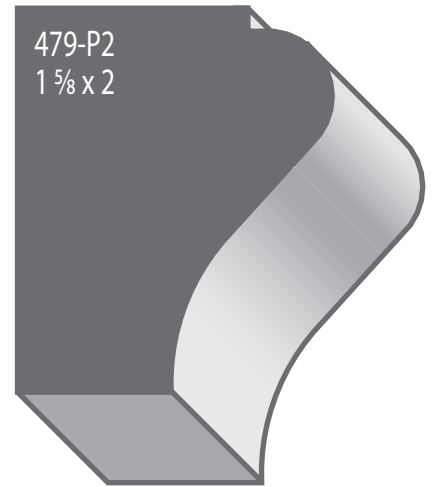
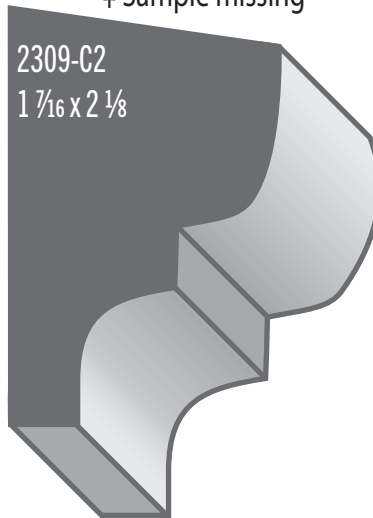
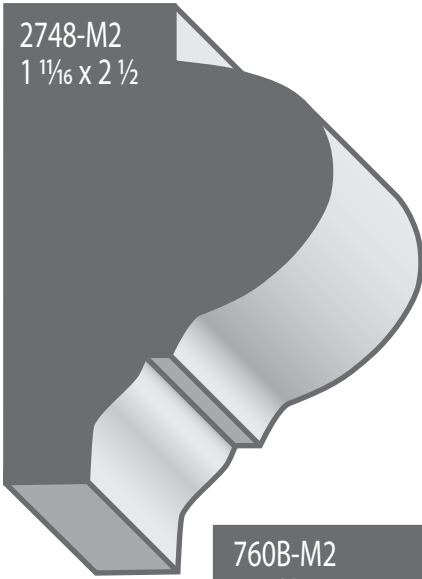
‡ Sample missing

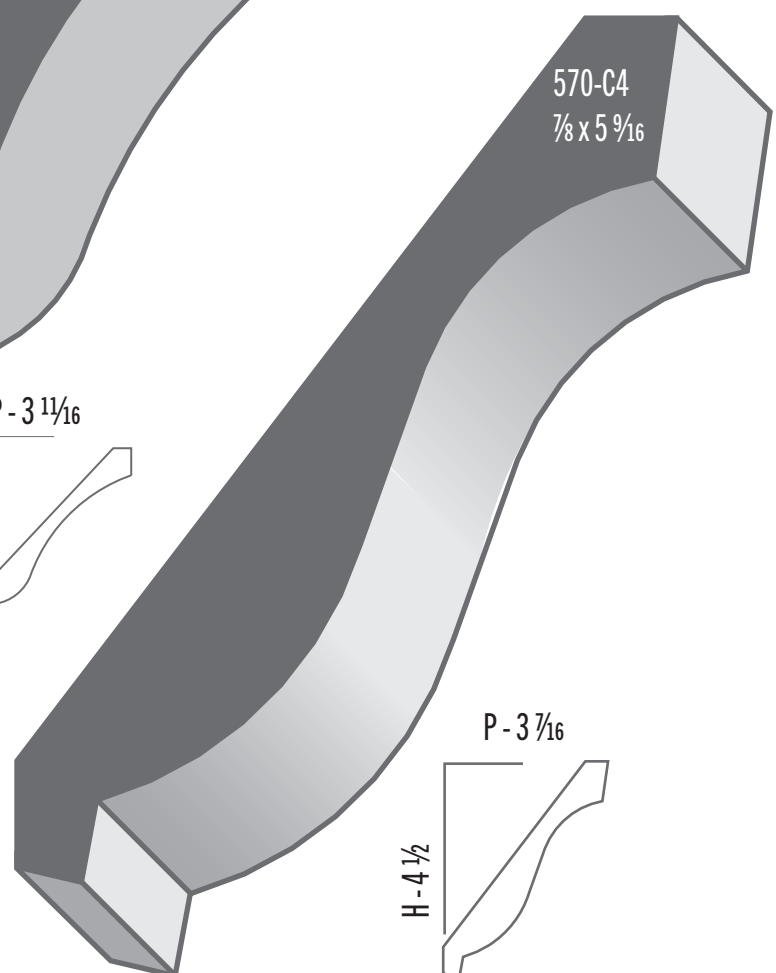
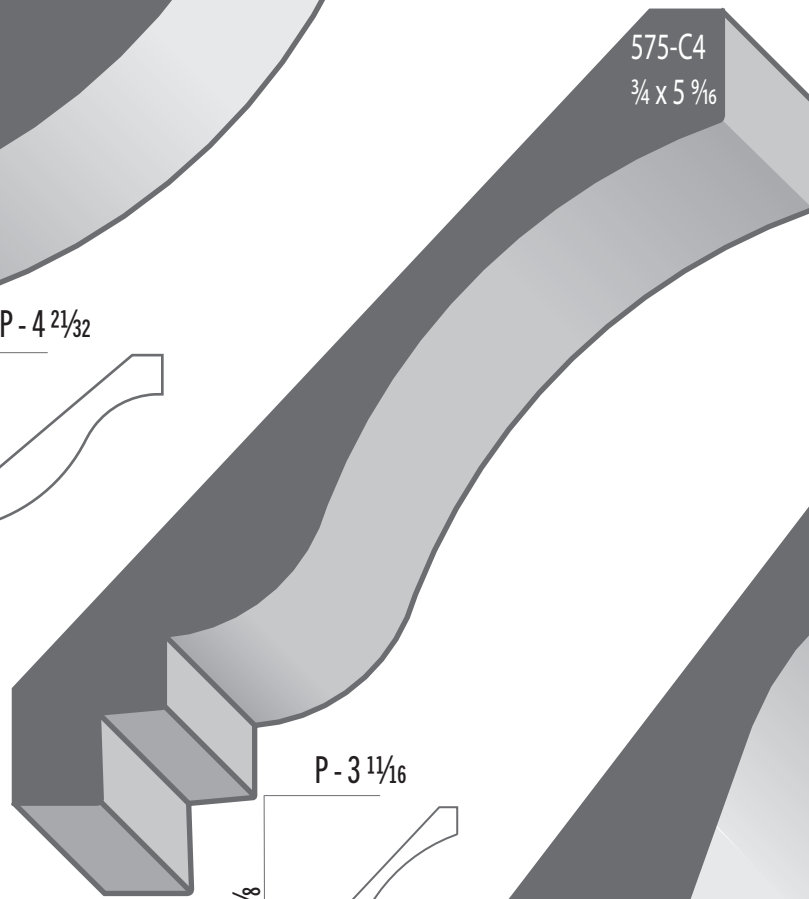
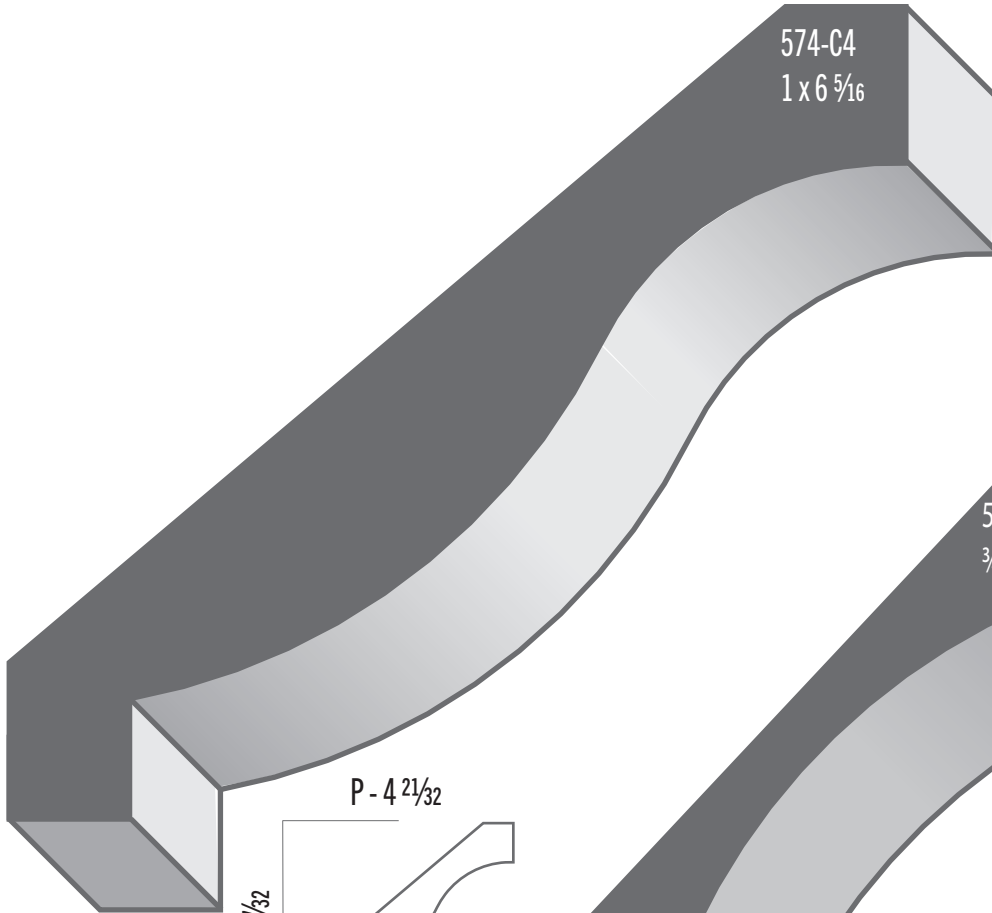






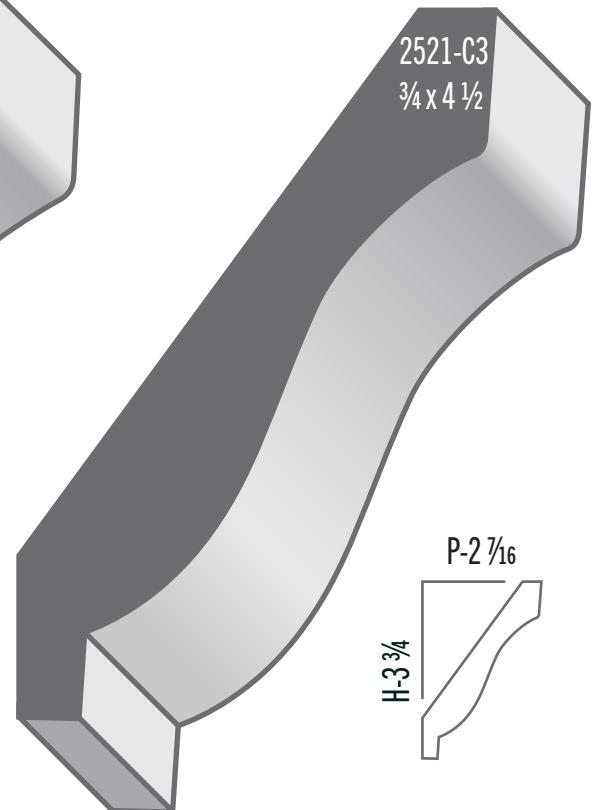
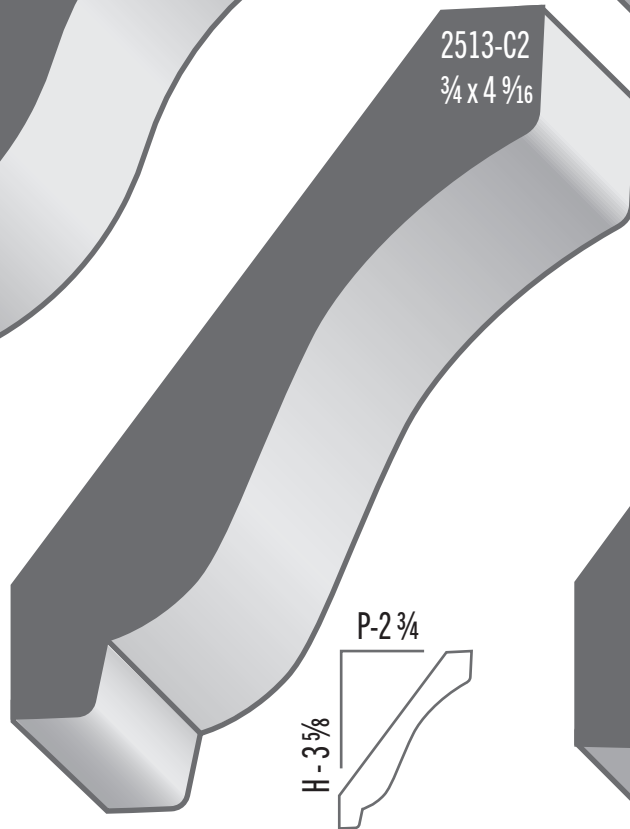
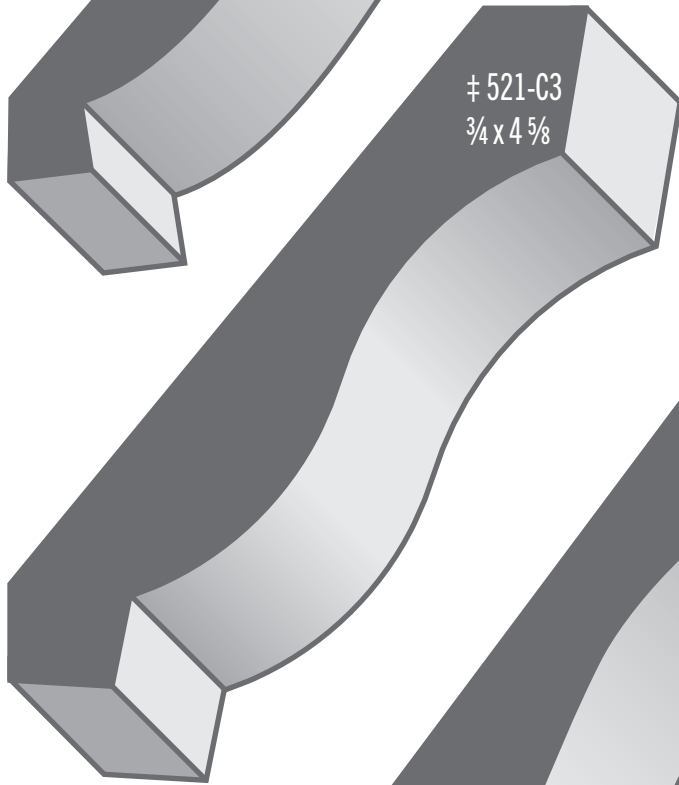
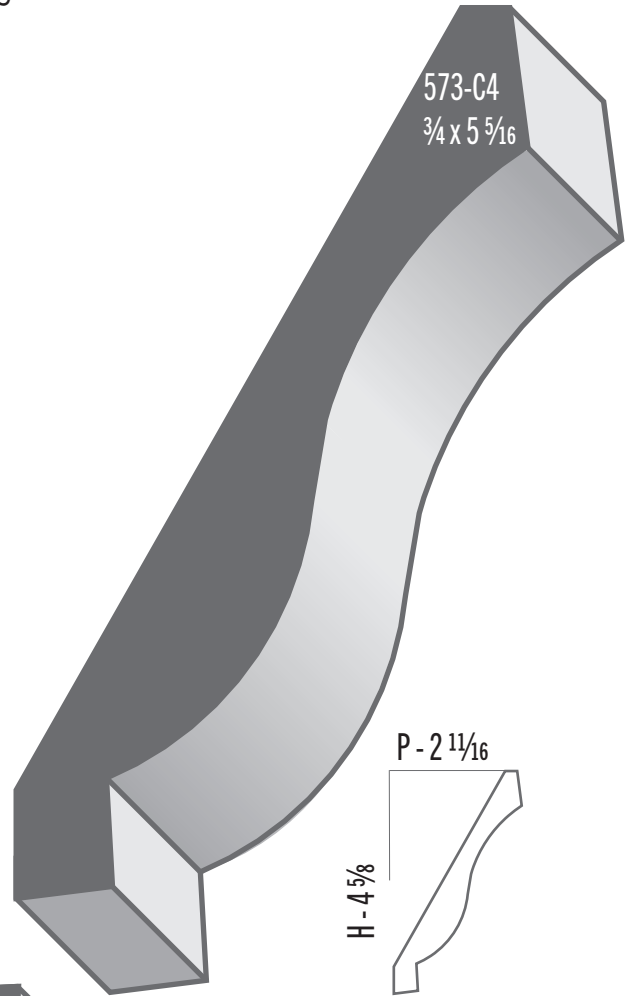
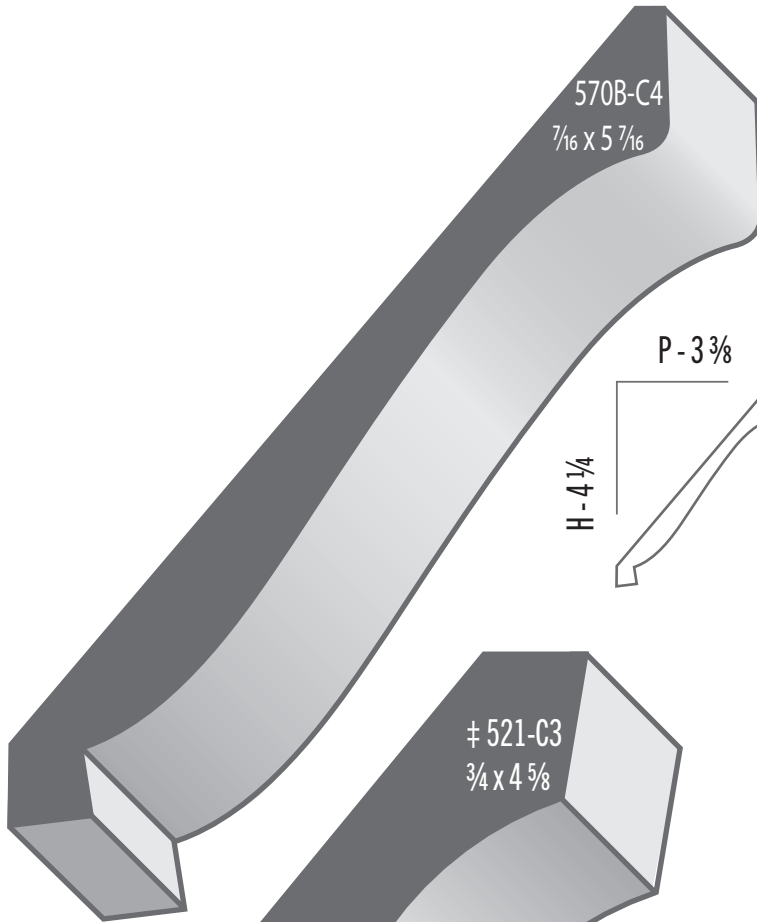
‡ Sample missing







‡ Sample missing

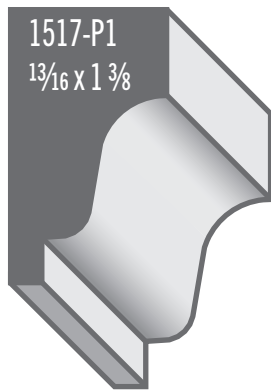




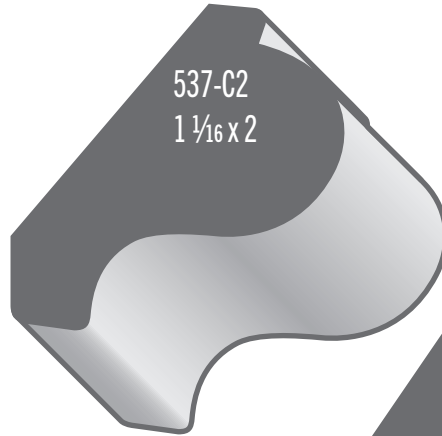
523-M1\*  
 $\frac{3}{4} \times 2$  this  
 may also  
 be made  
 extened;  
 ask the  
 shop



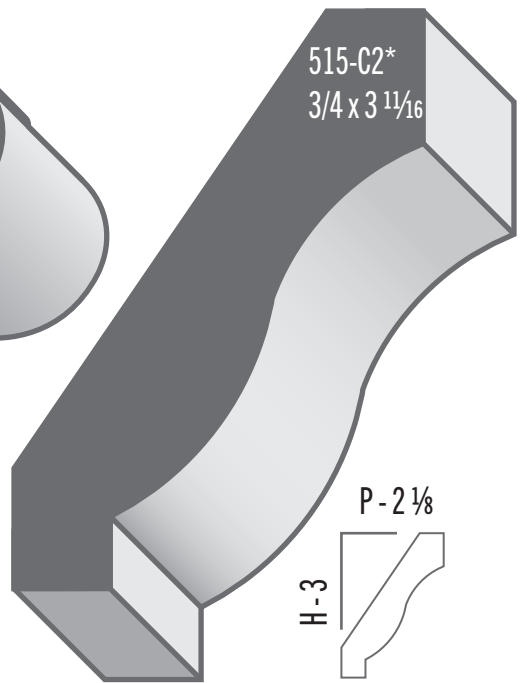
1517-P1  
 $1\frac{3}{16} \times 1\frac{3}{8}$



537-C2  
 $1\frac{1}{16} \times 2$




515-C2\*  
 $\frac{3}{4} \times 3\frac{11}{16}$



514-C2\*  
 $1\frac{3}{16} \times 2\frac{1}{4}$



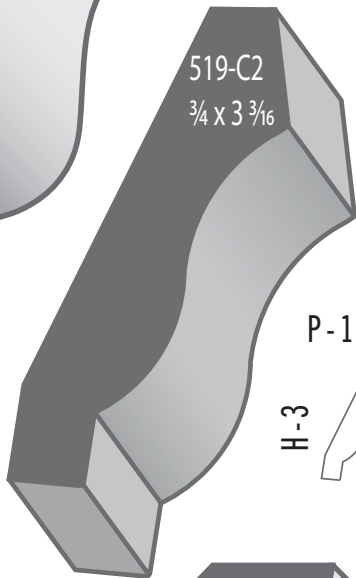
P -  $1\frac{11}{16}$   
 H -  $1\frac{11}{16}$



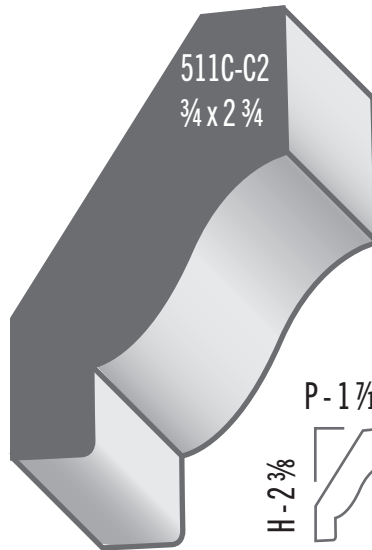
P -  $2\frac{1}{8}$   
 H - 3



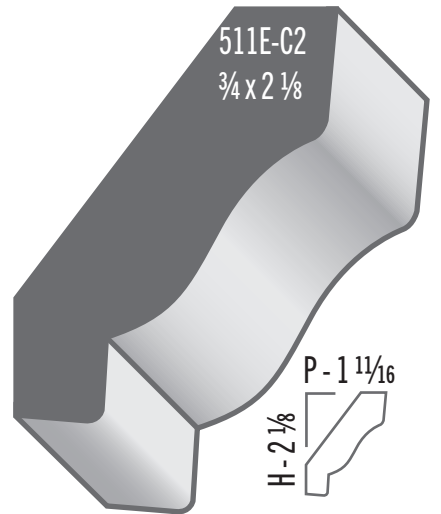
519-C2  
 $\frac{3}{4} \times 3\frac{3}{16}$



511C-C2  
 $\frac{3}{4} \times 2\frac{3}{4}$



511E-C2  
 $\frac{3}{4} \times 2\frac{1}{8}$



P -  $1\frac{5}{16}$

H - 3



P -  $1\frac{7}{16}$

H -  $2\frac{3}{8}$

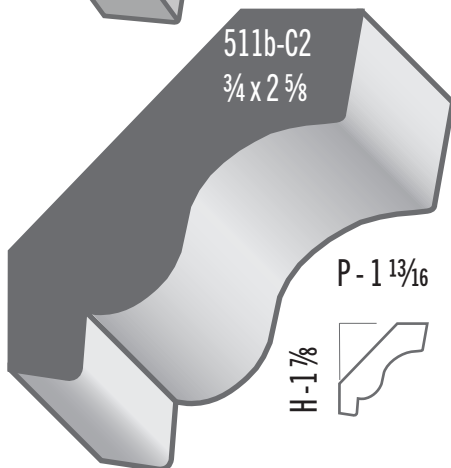


P -  $1\frac{11}{16}$

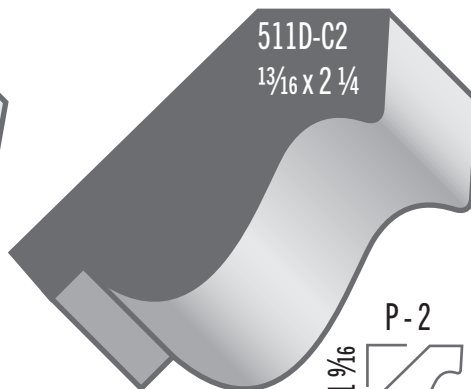
H -  $2\frac{1}{8}$



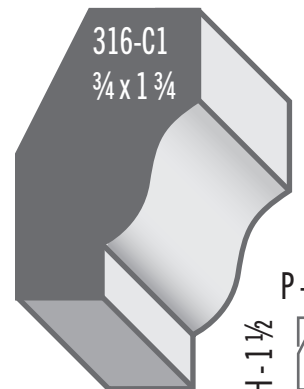
511b-C2  
 $\frac{3}{4} \times 2\frac{5}{8}$



511D-C2  
 $1\frac{3}{16} \times 2\frac{1}{4}$




316-C1  
 $\frac{3}{4} \times 1\frac{3}{4}$



P -  $1\frac{13}{16}$

H -  $1\frac{7}{8}$



P - 2

H -  $1\frac{9}{16}$



P -  $1\frac{11}{16}$

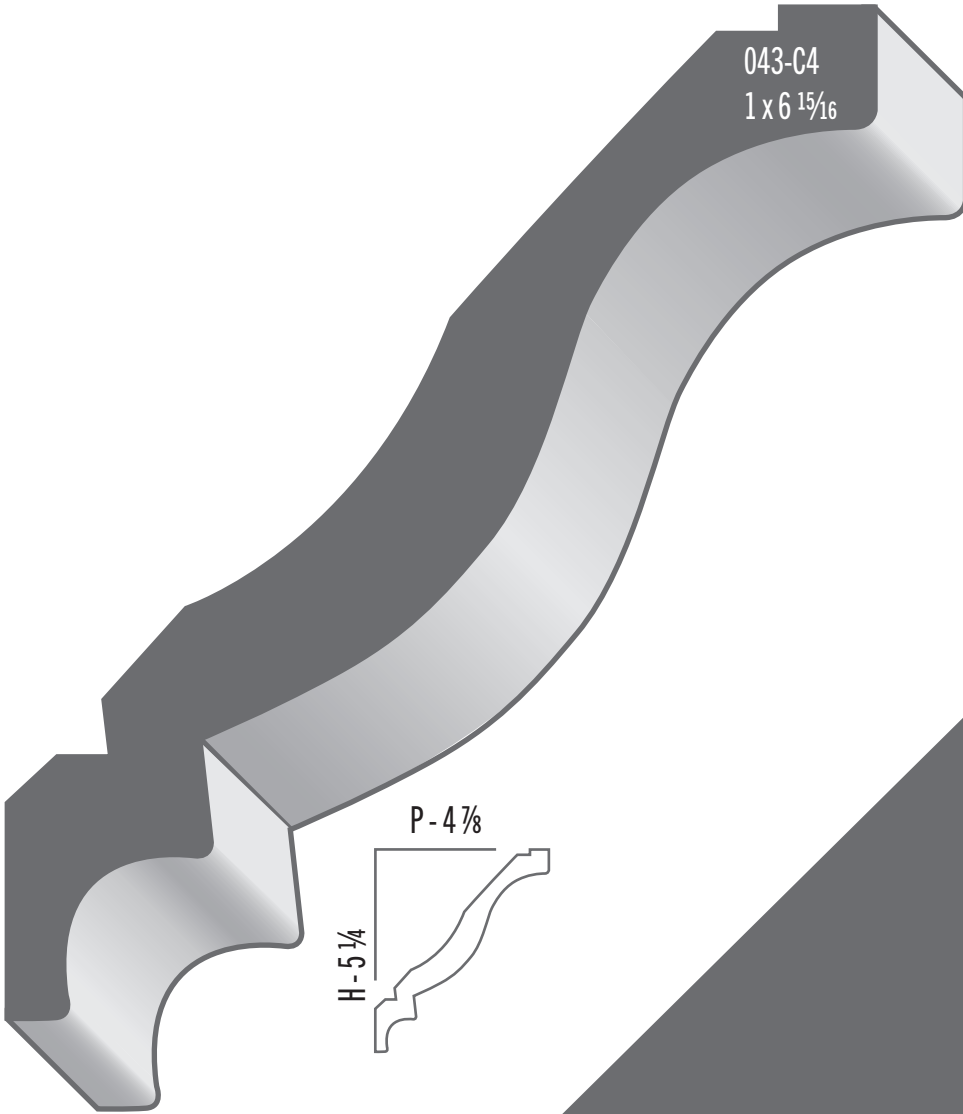
H -  $1\frac{1}{2}$



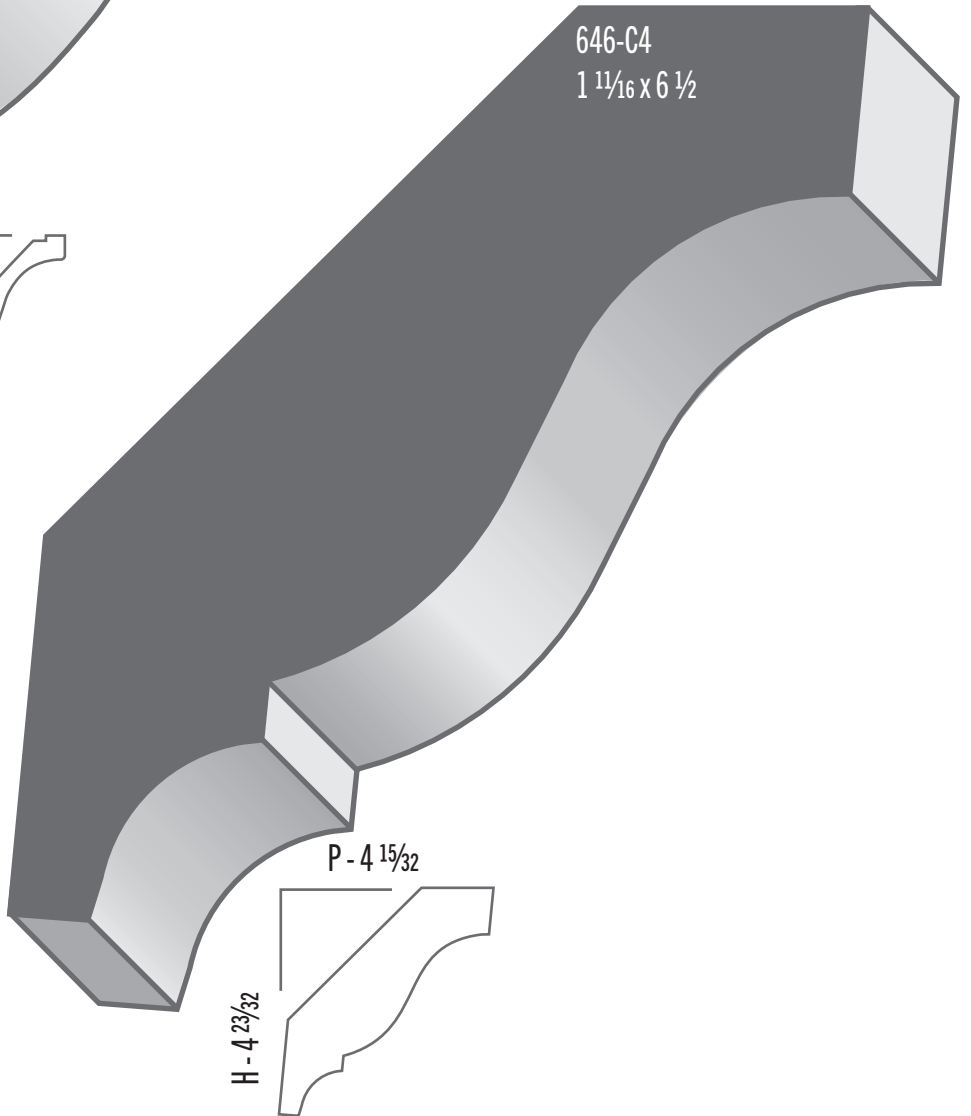


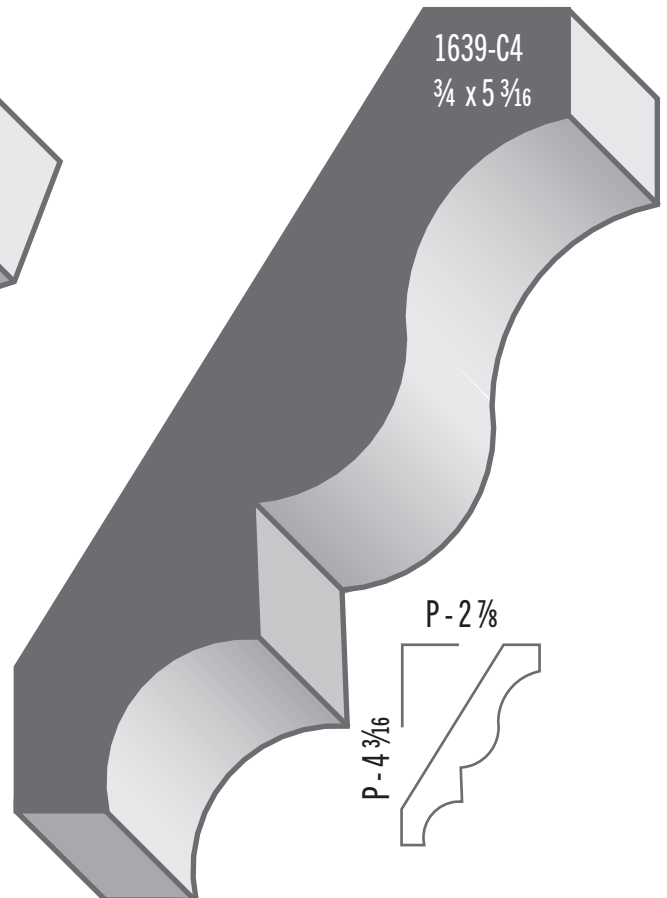
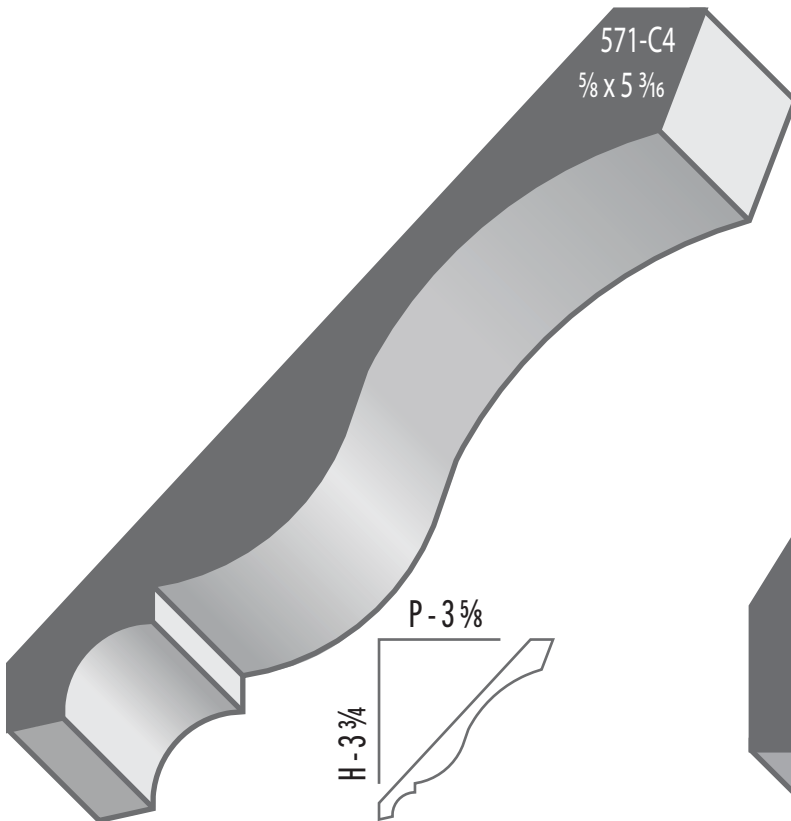
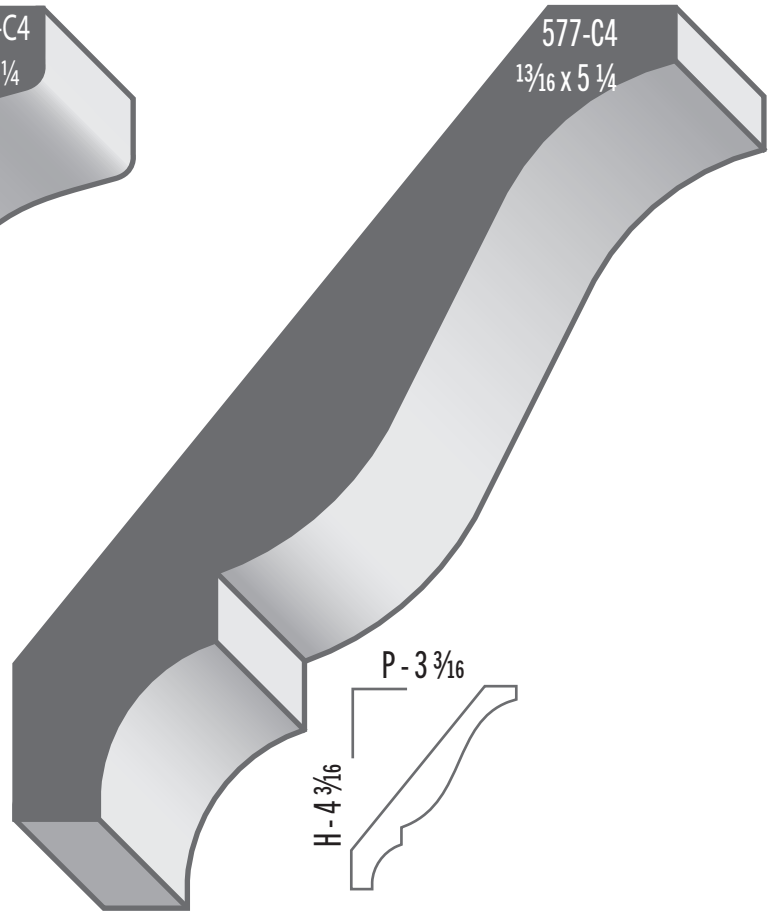
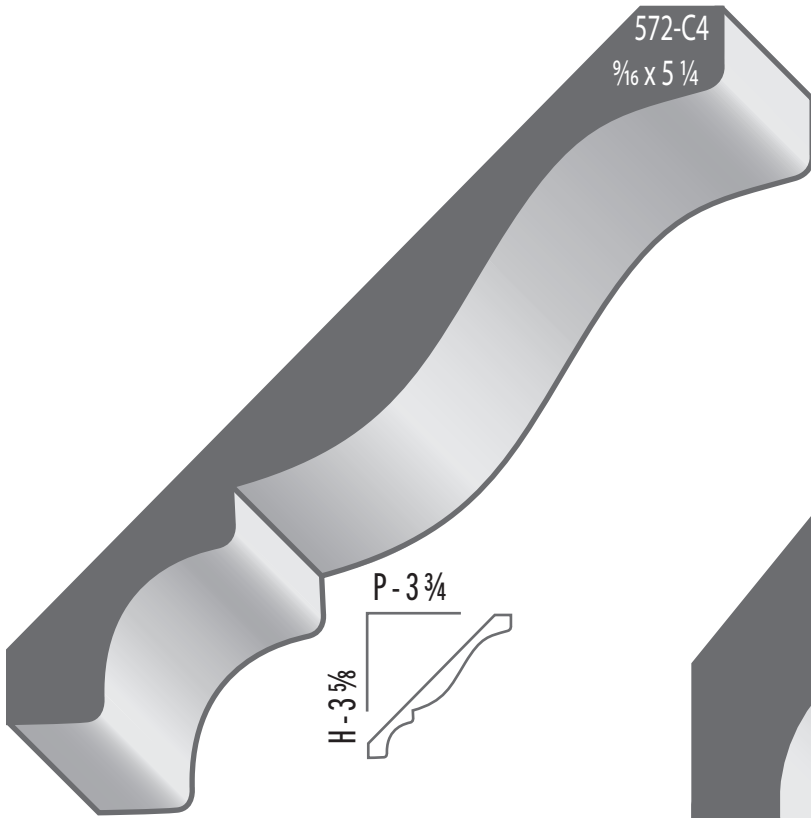


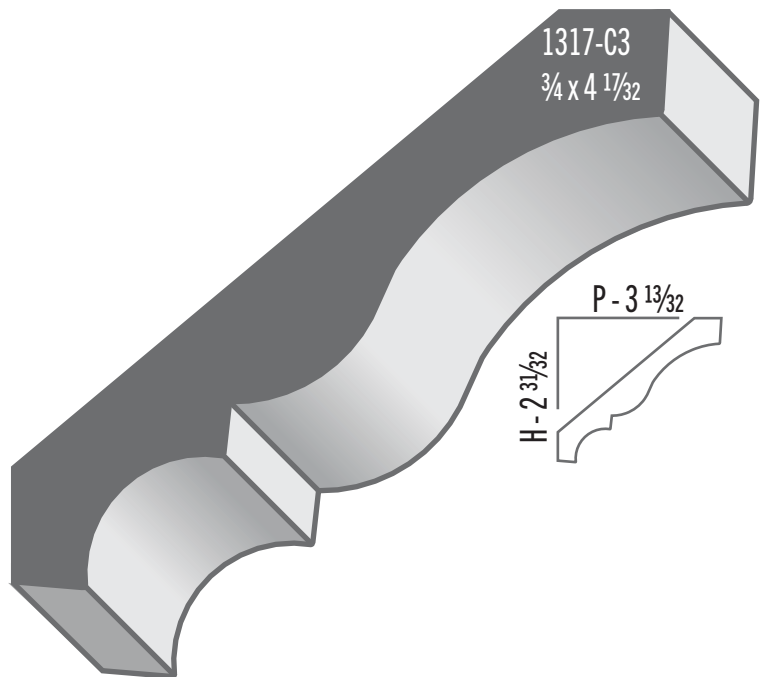
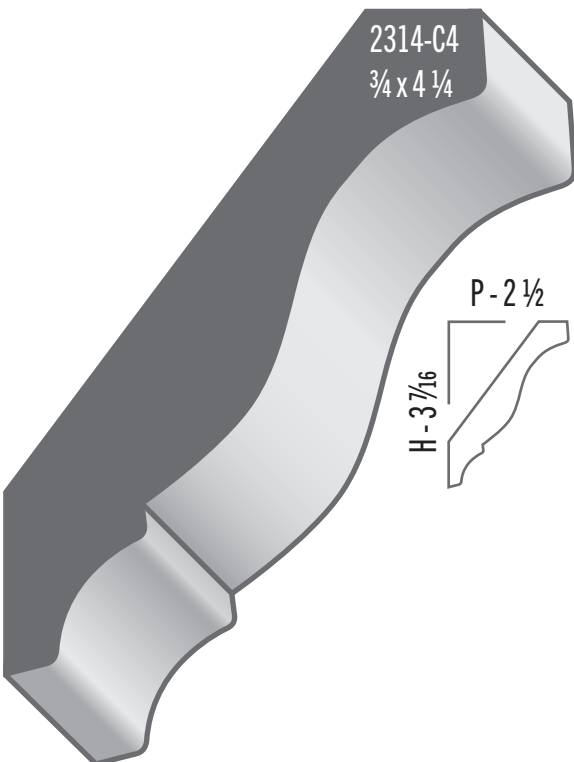
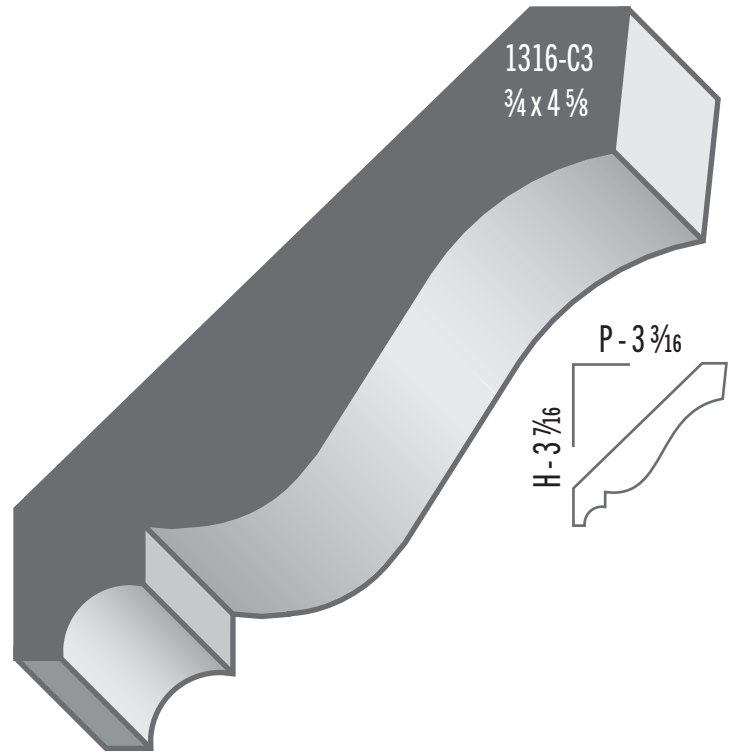
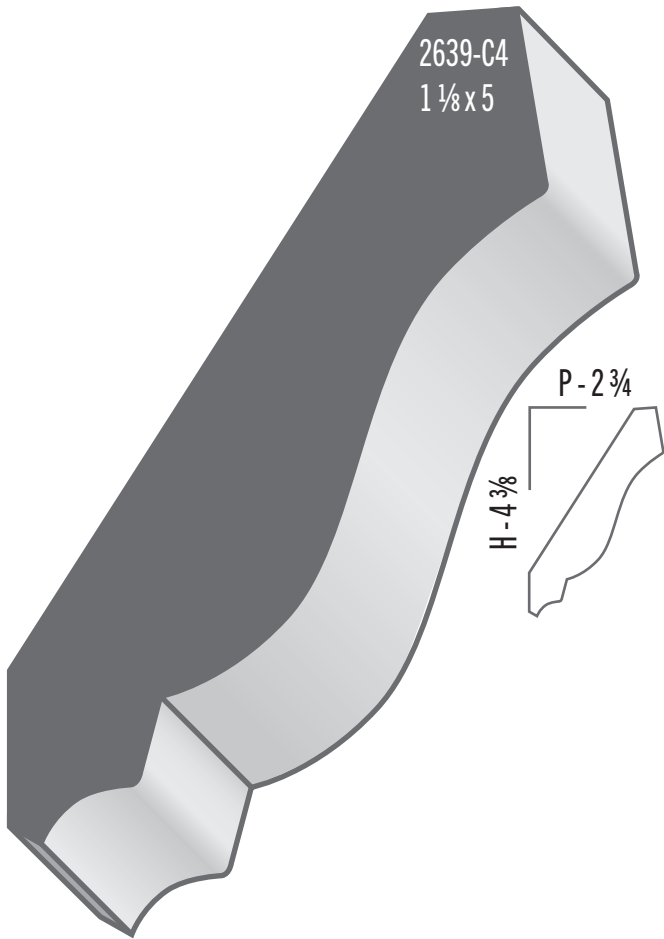
043-C4  
1 x 6 <sup>15</sup>/<sub>16</sub>

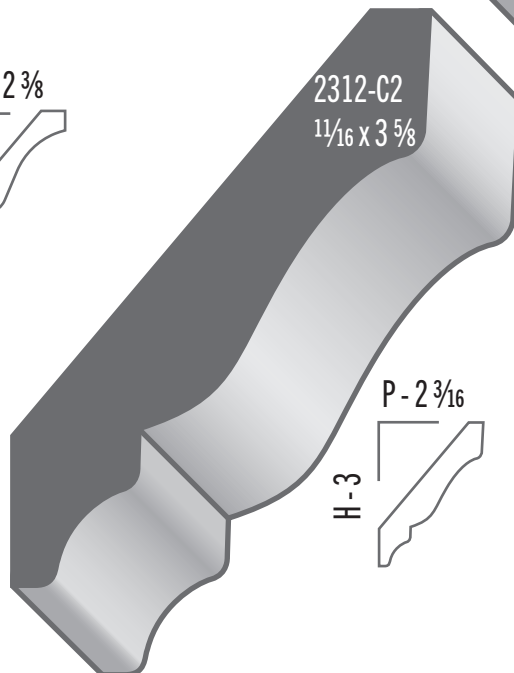
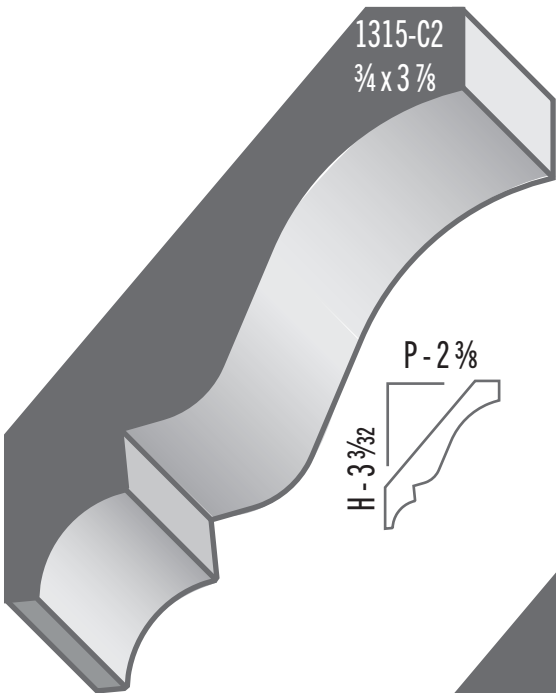
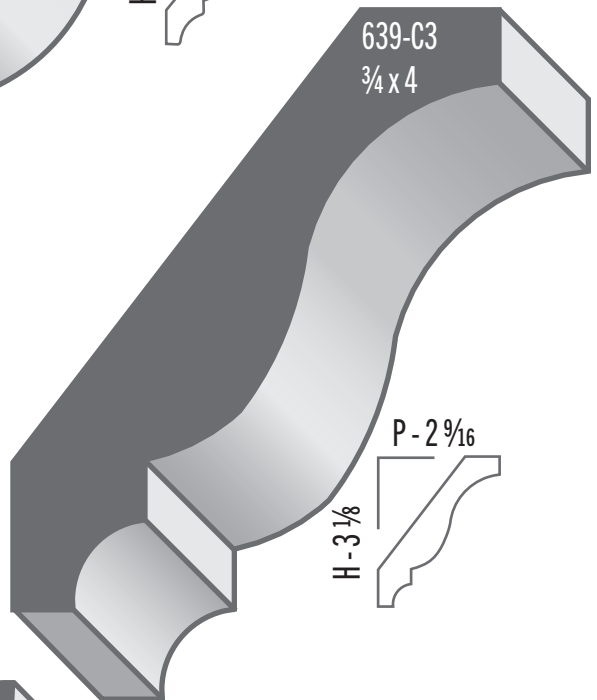
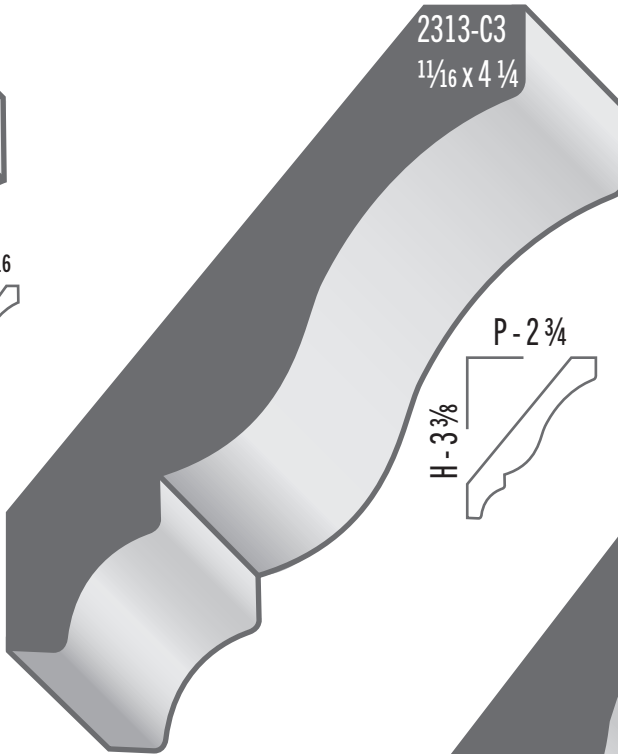
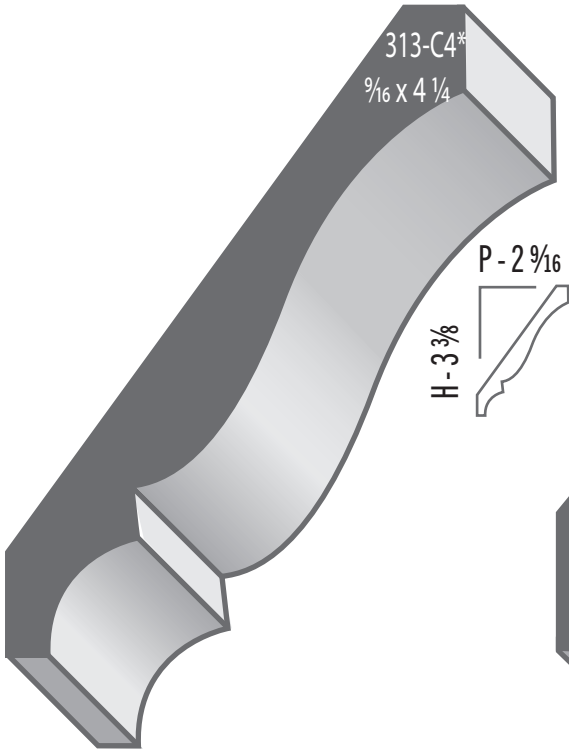


646-C4  
1 <sup>11</sup>/<sub>16</sub> x 6 <sup>1</sup>/<sub>2</sub>



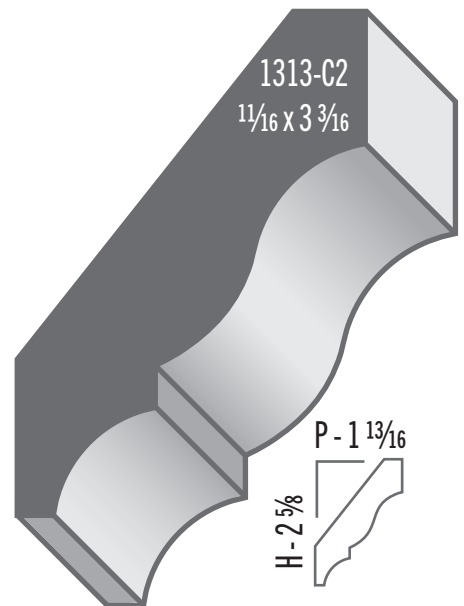
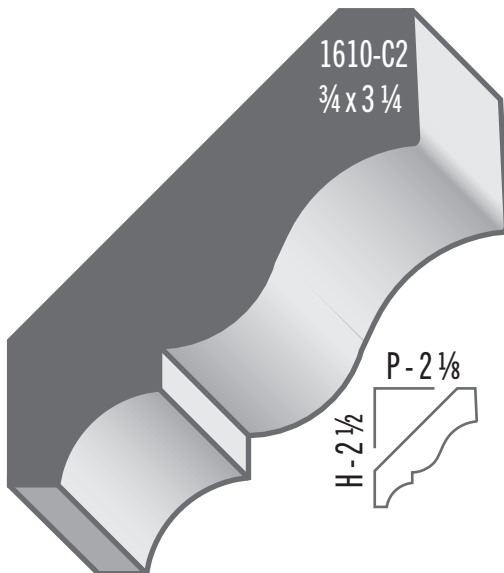
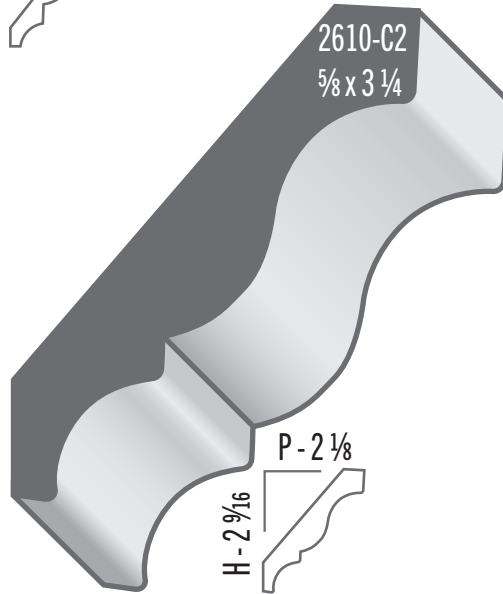
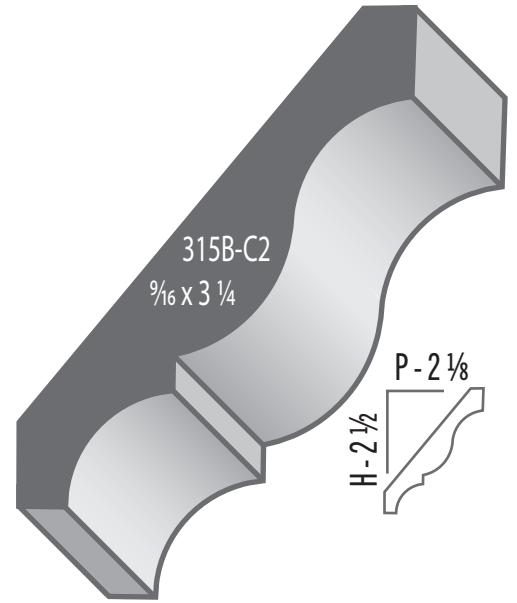
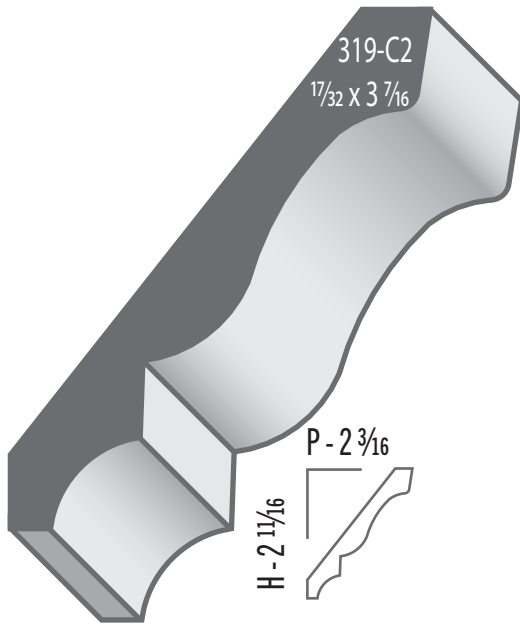


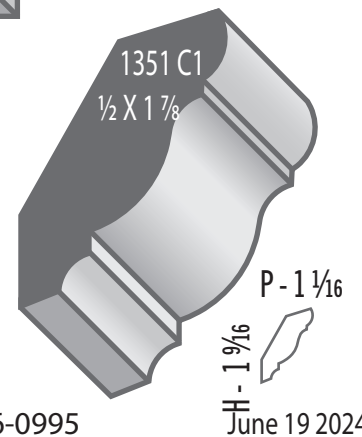
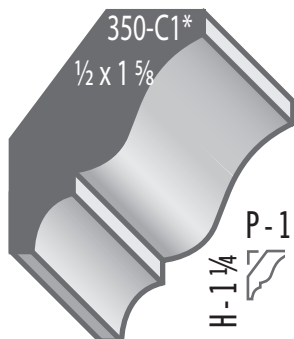
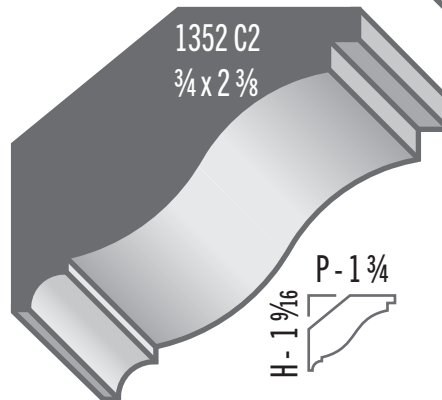
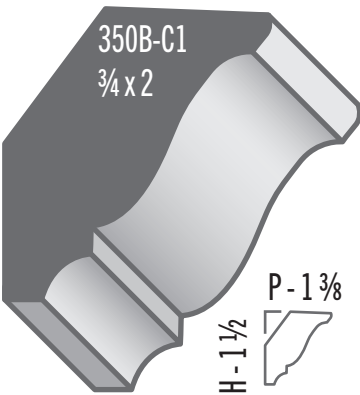
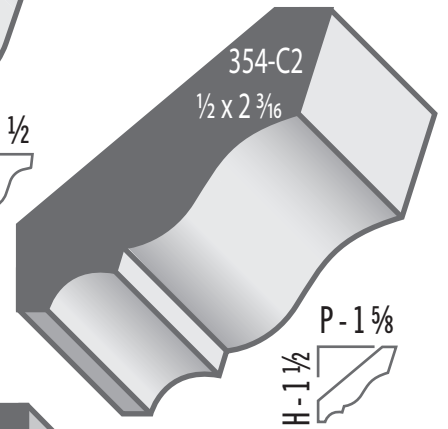
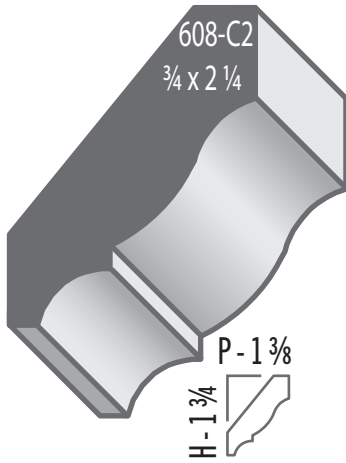
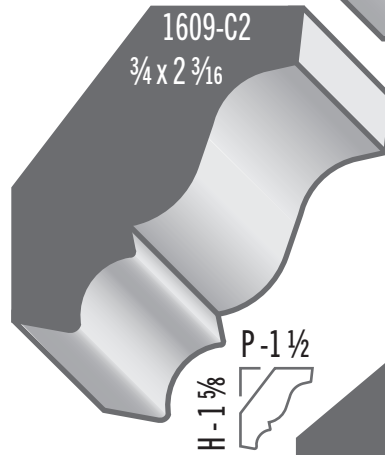
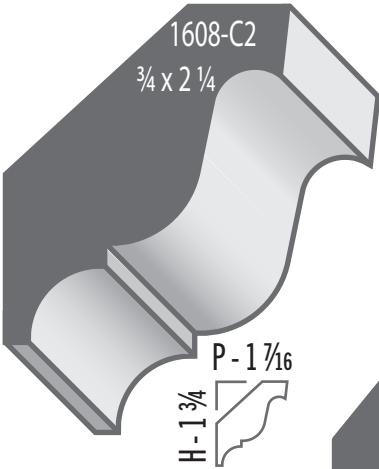
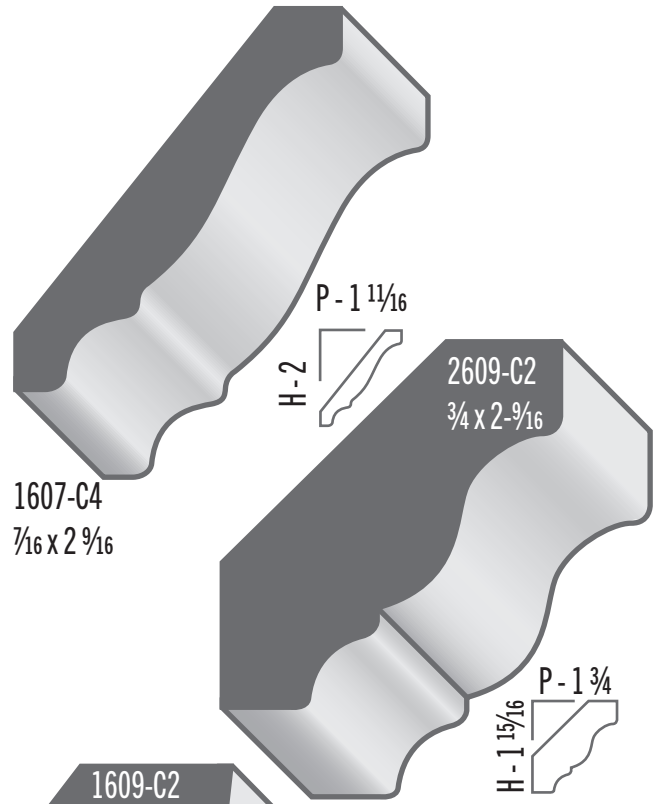
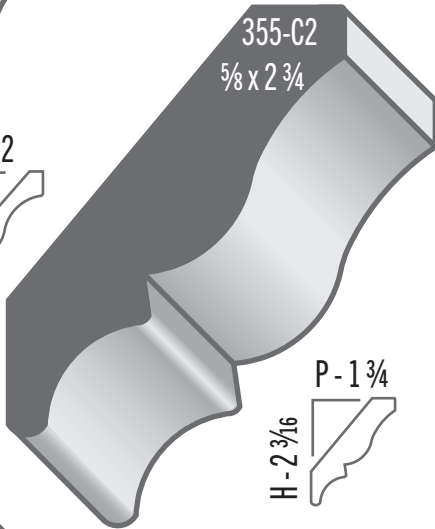
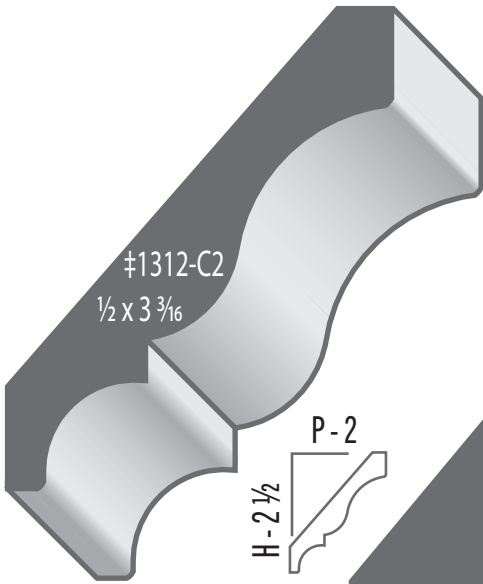


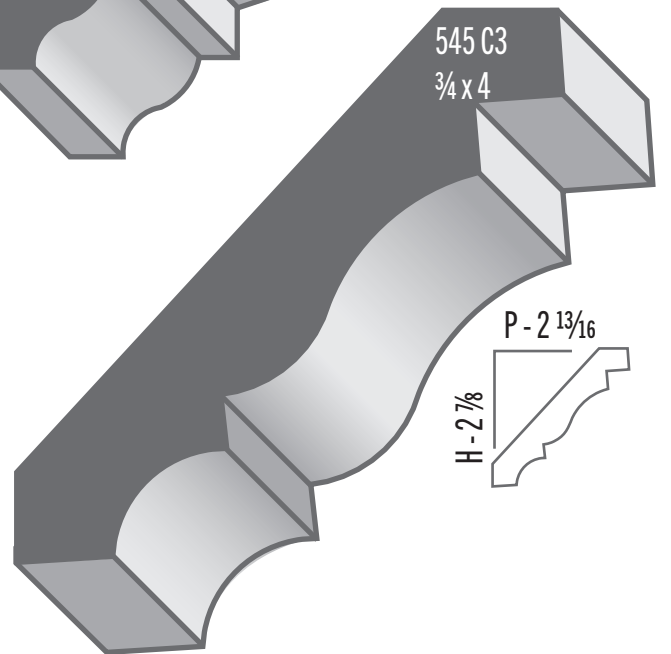
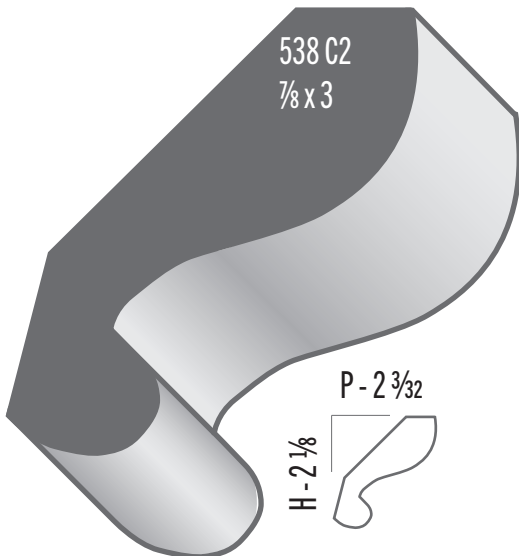
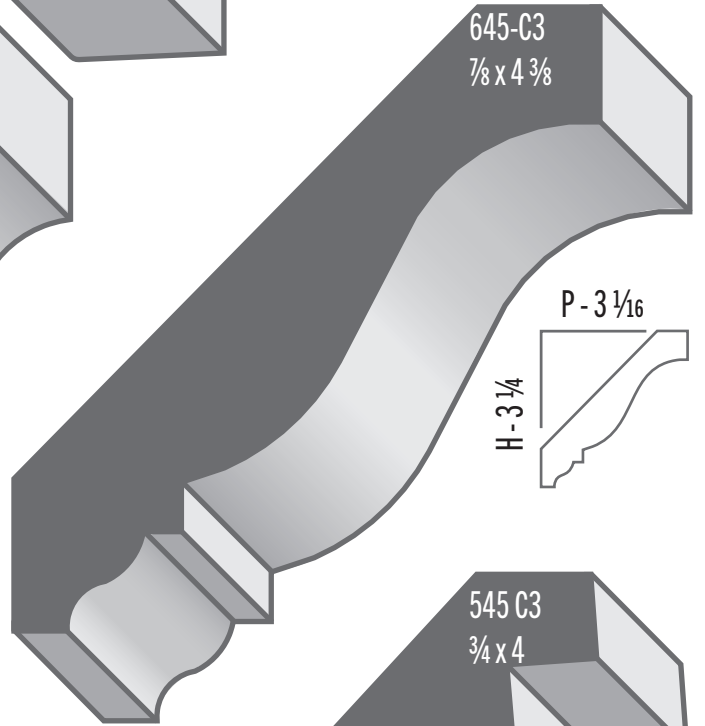
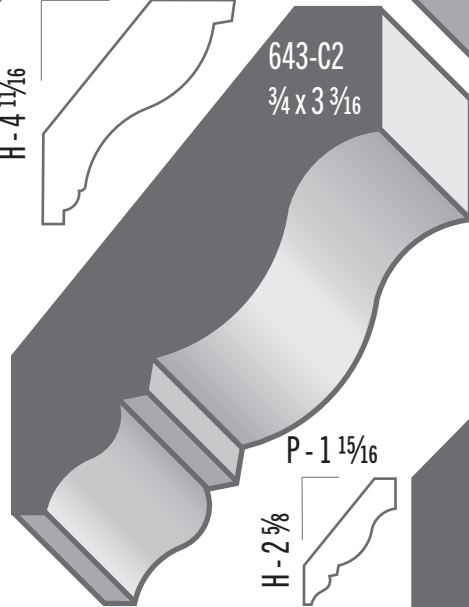
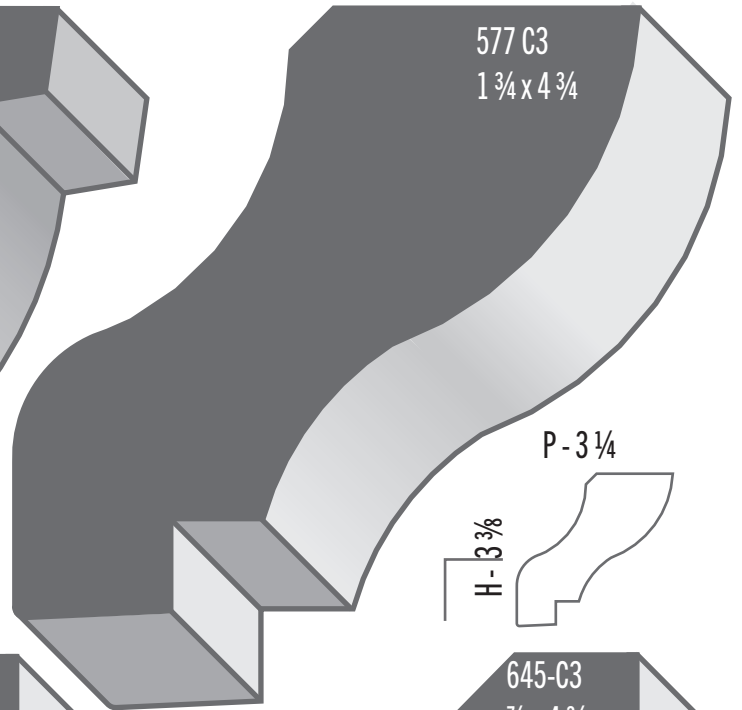
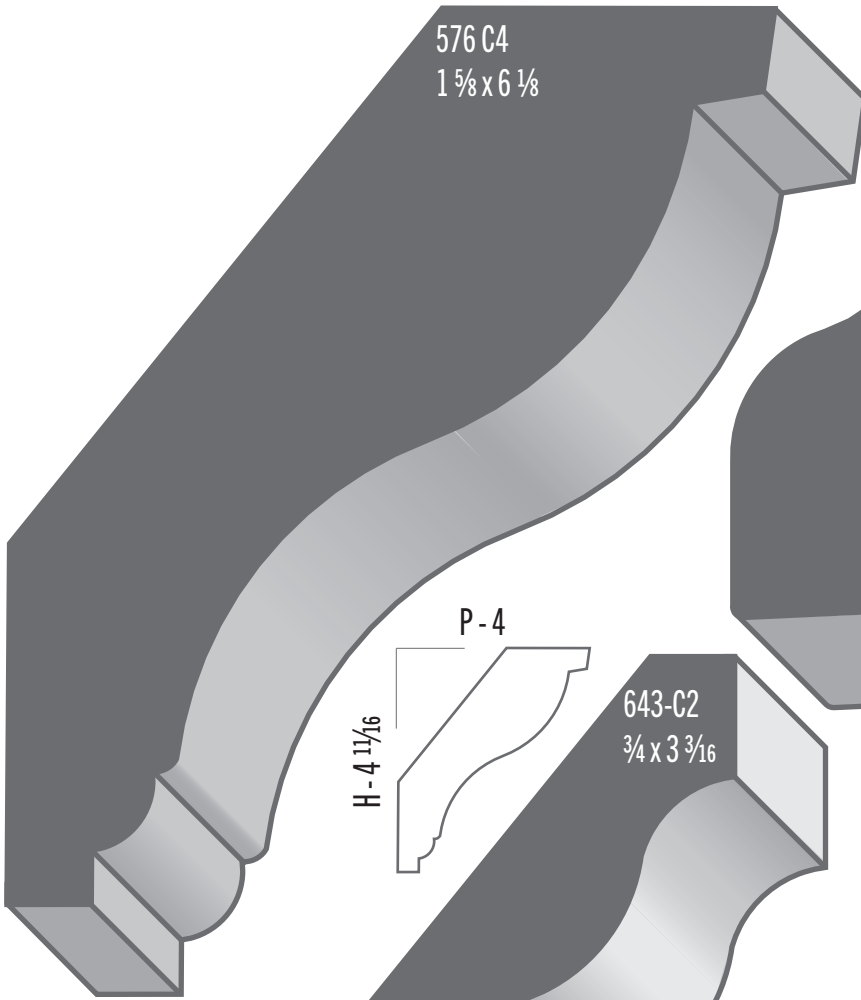




‡ Sample missing

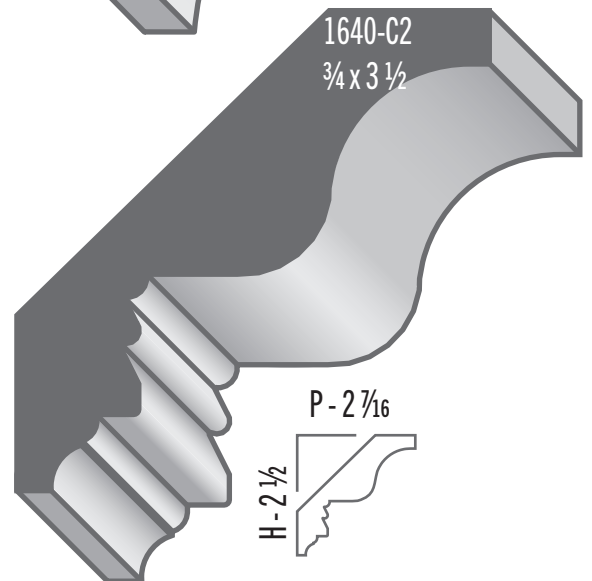
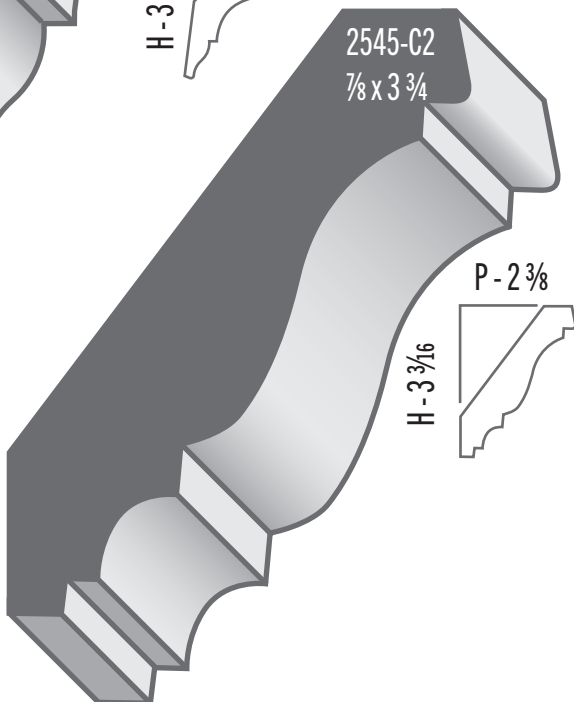
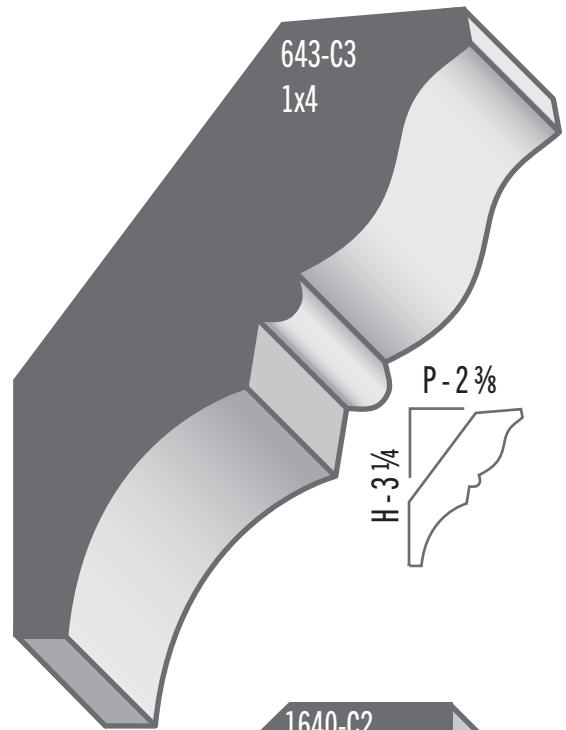
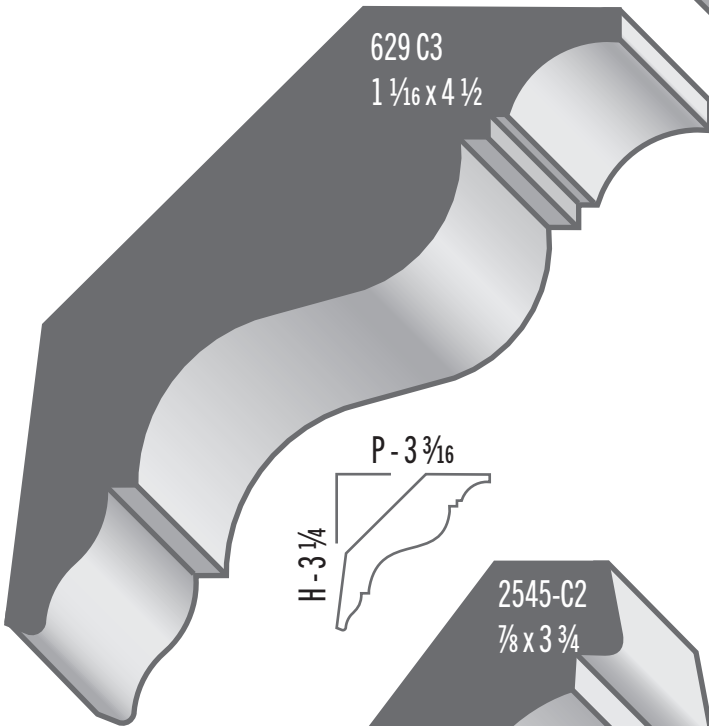
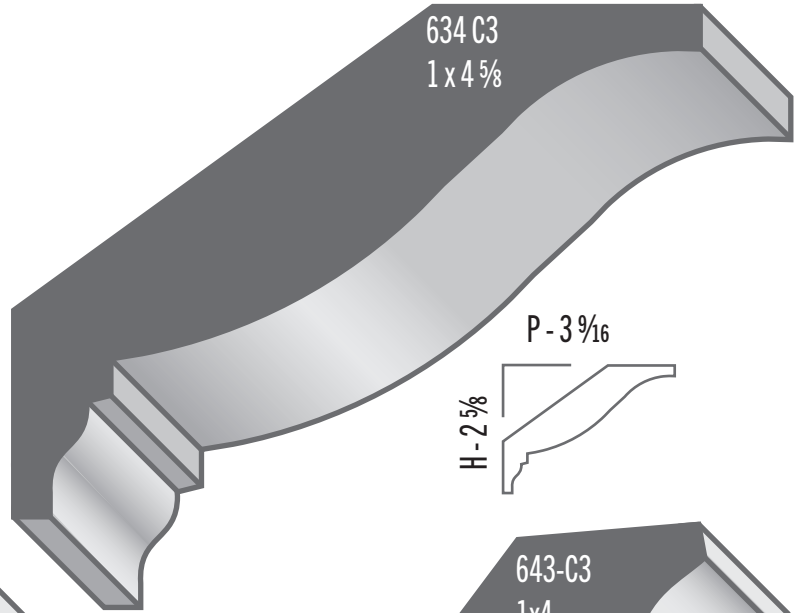
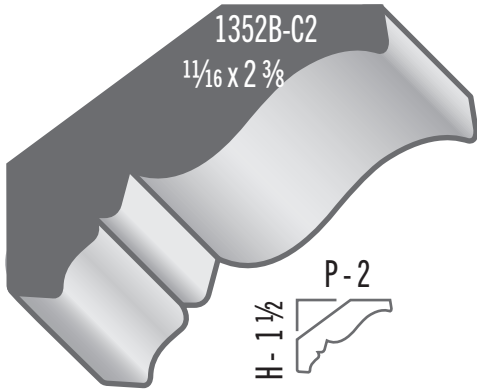




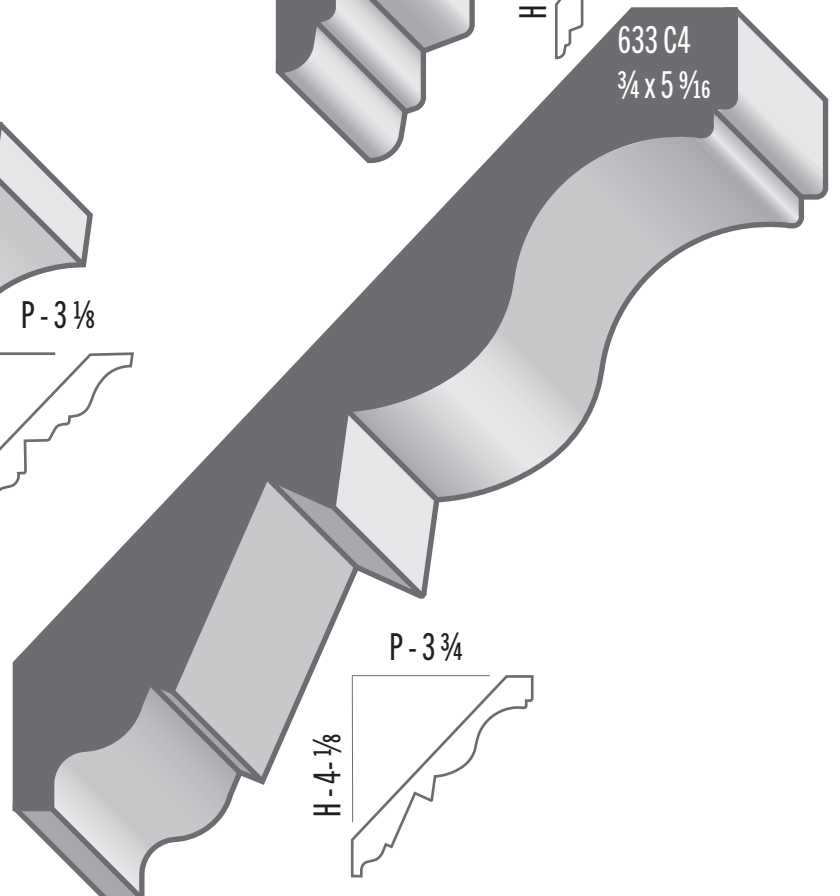
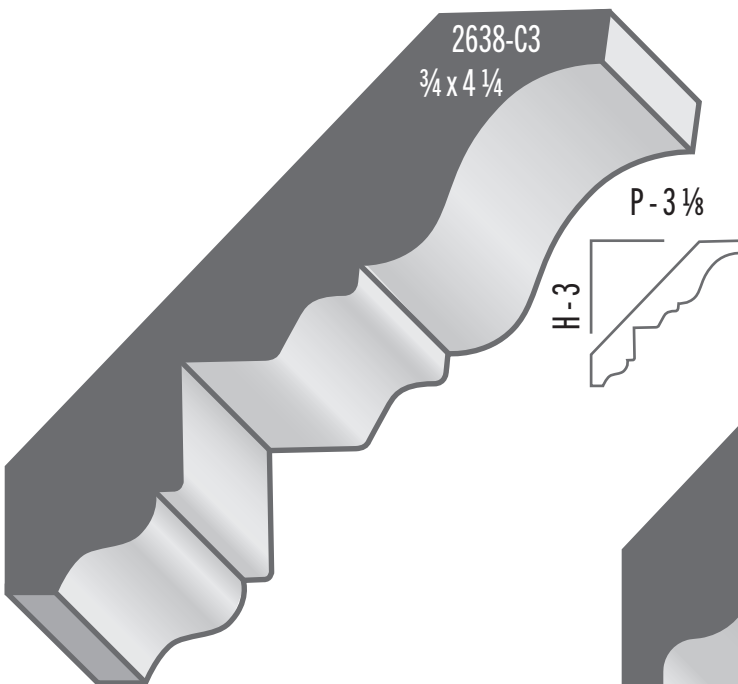
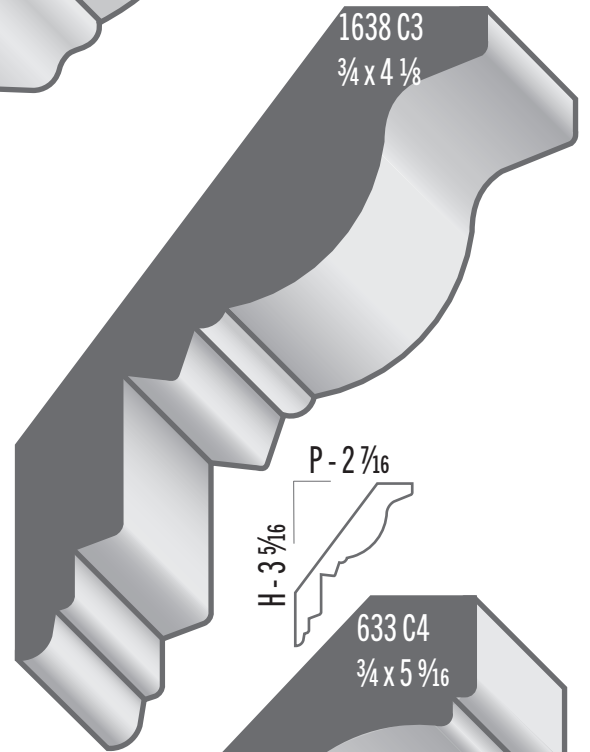
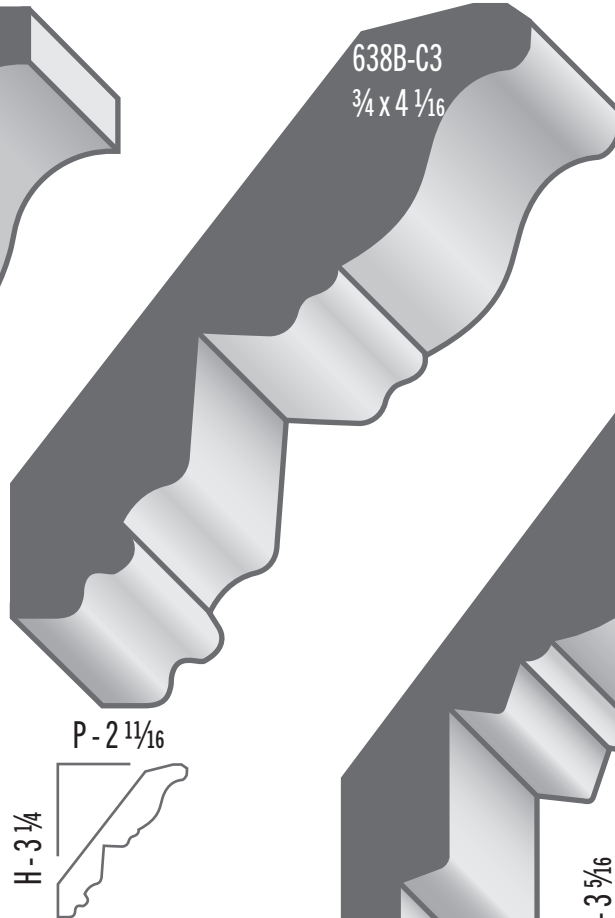
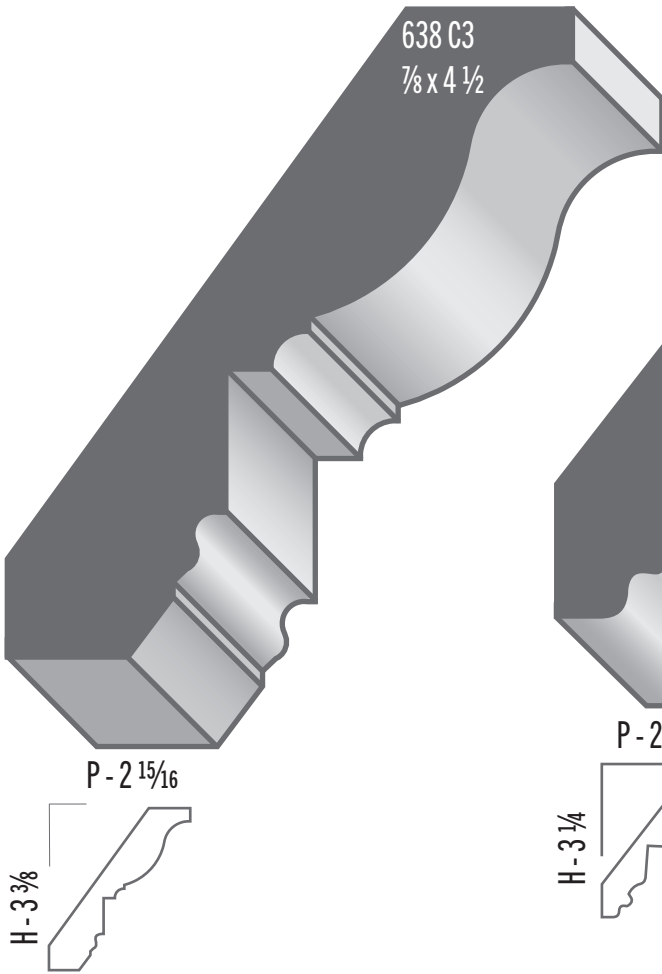


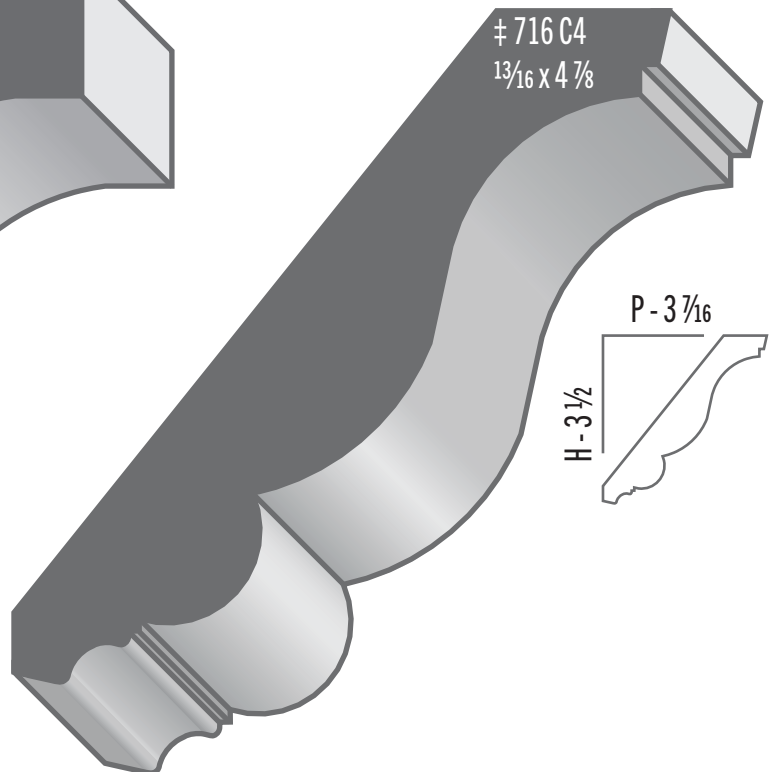
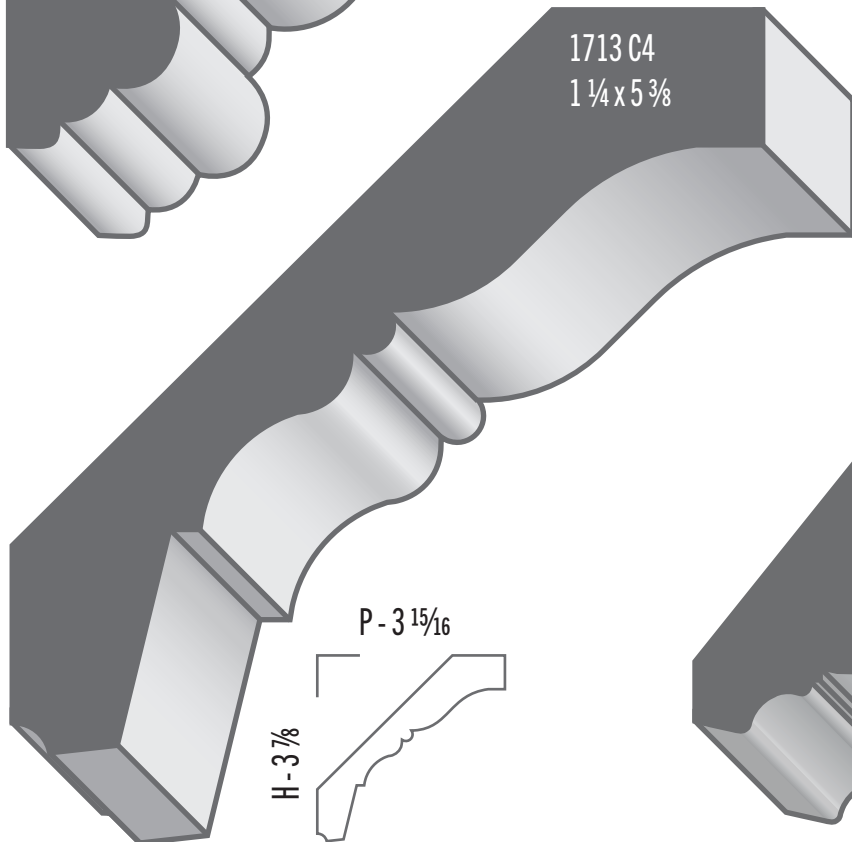
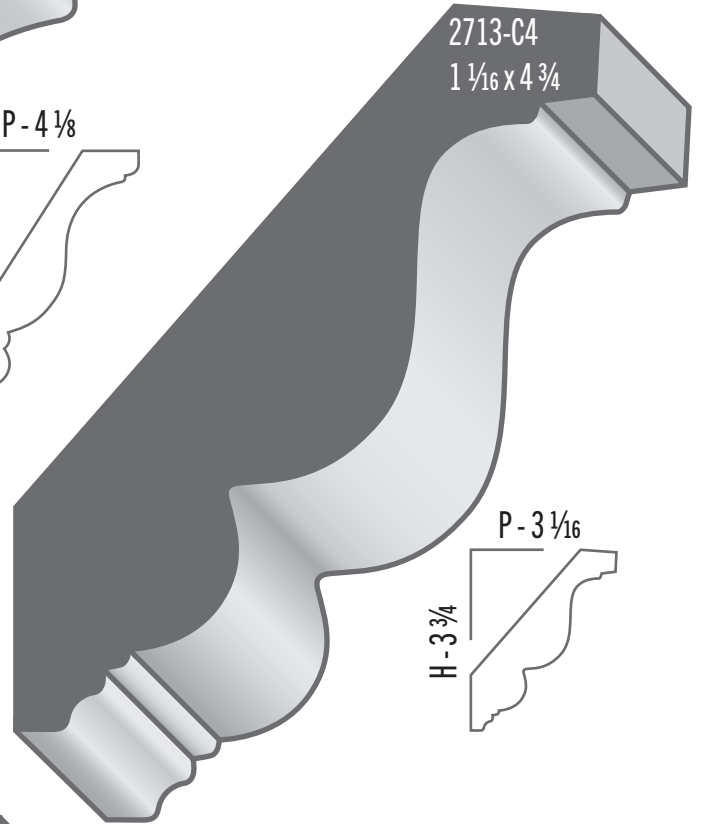
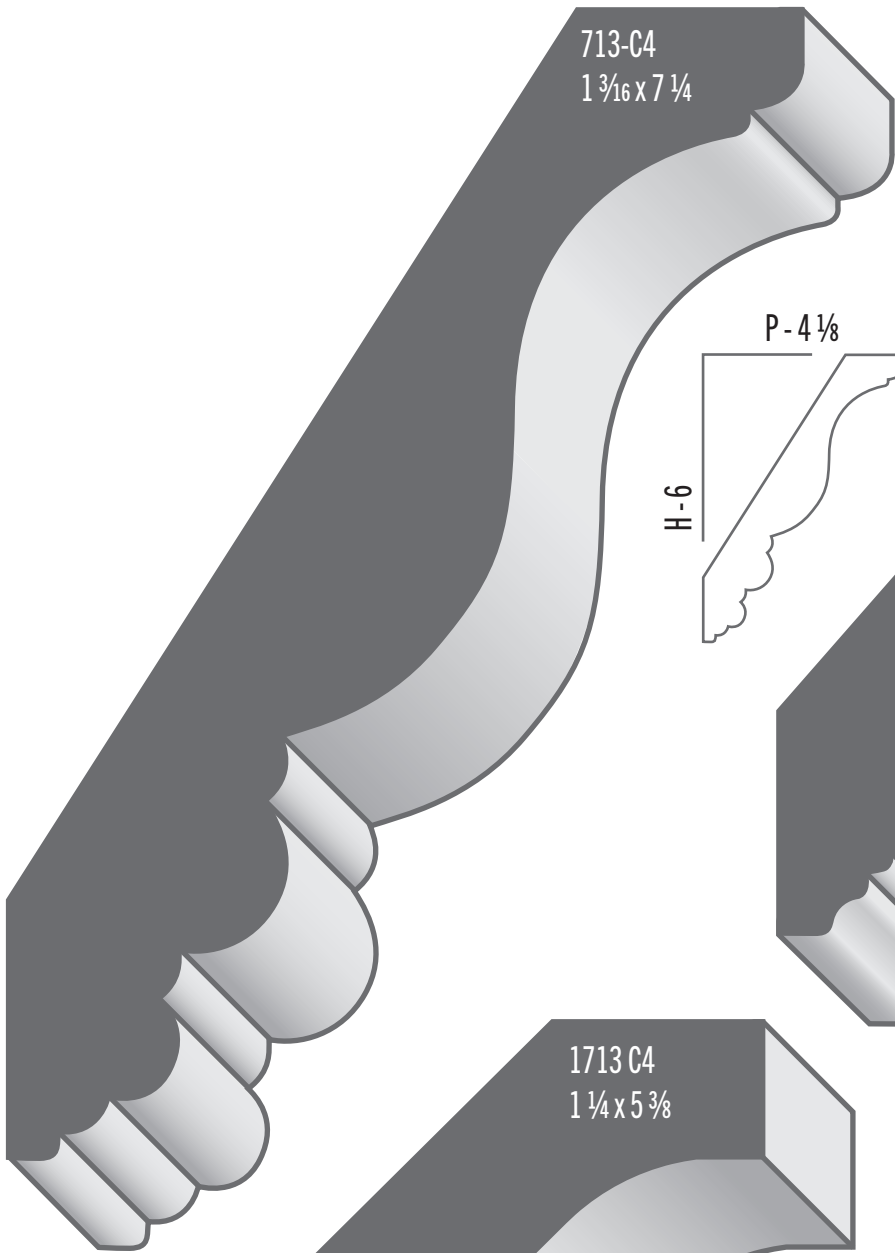


‡ Sample missing



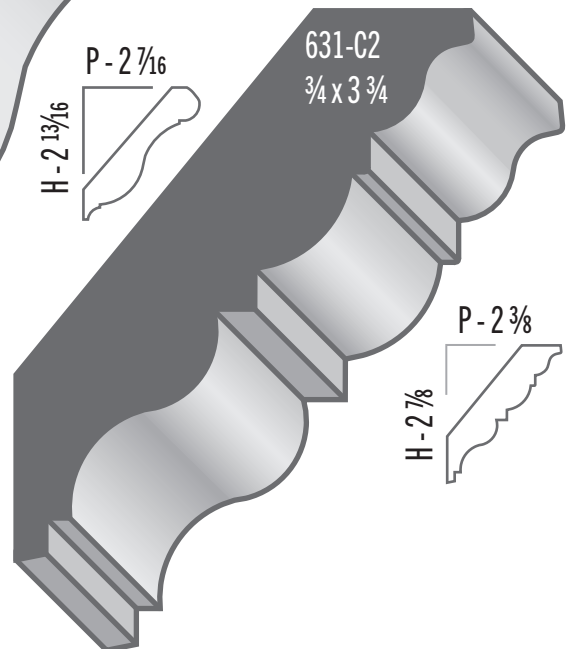
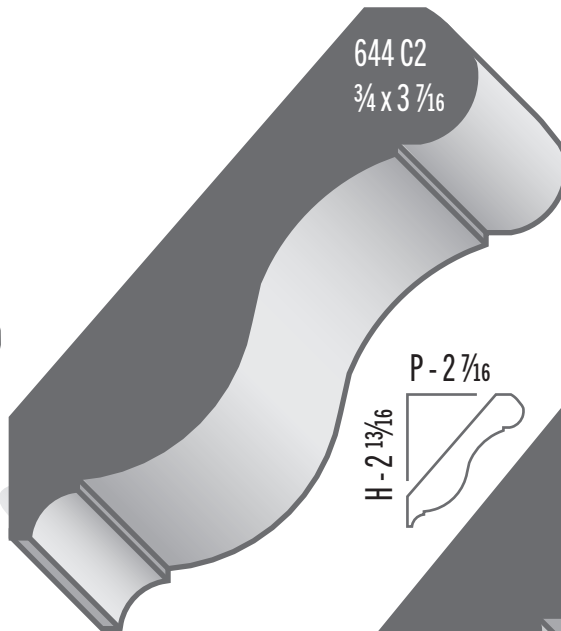
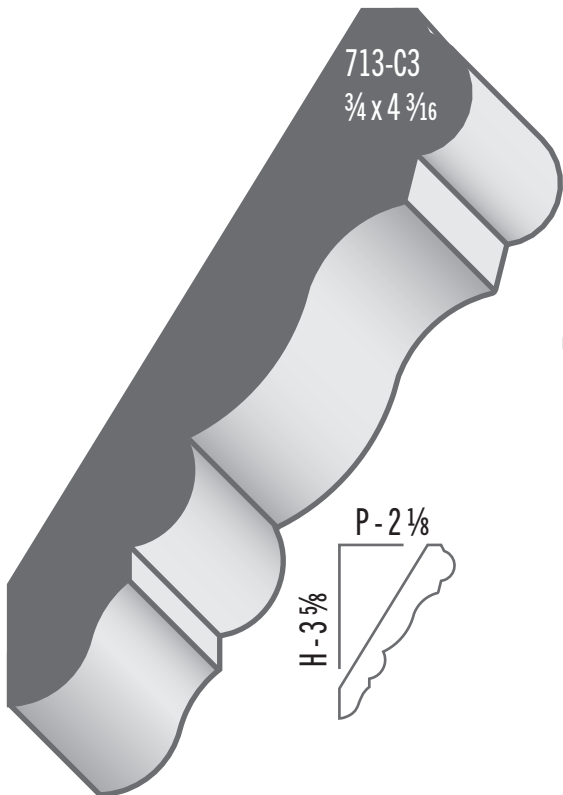
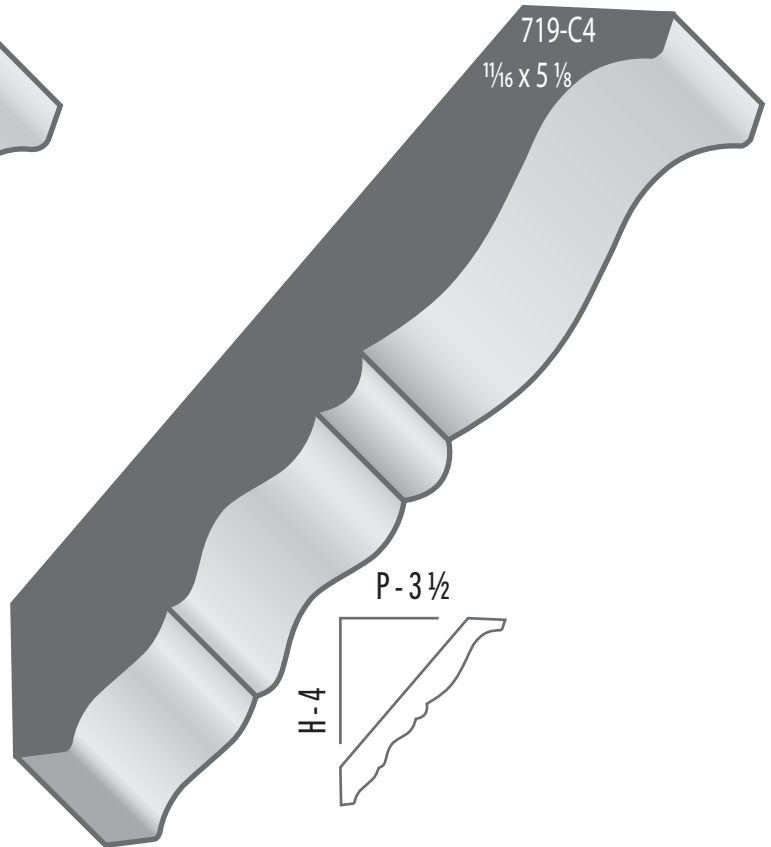
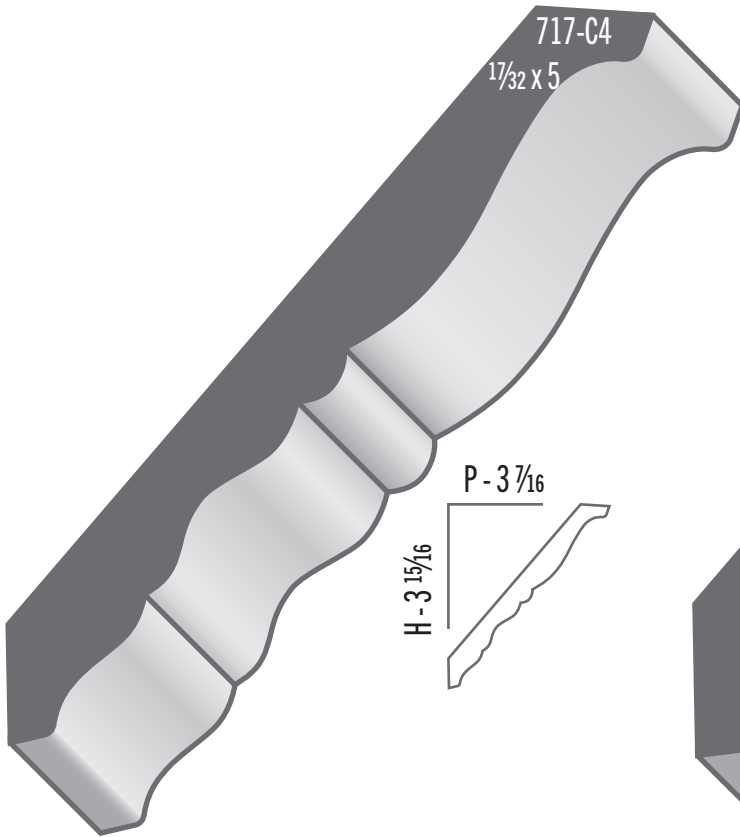


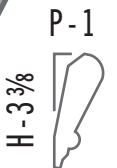
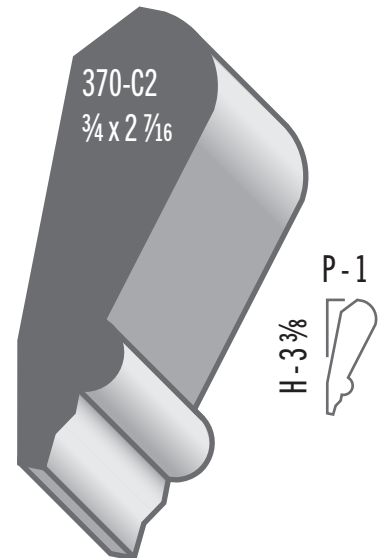
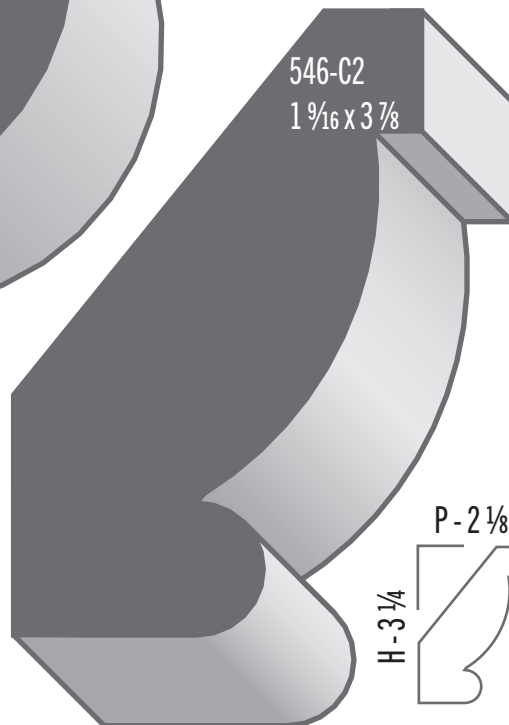
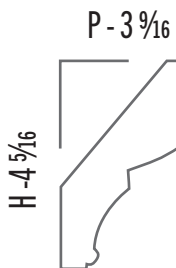
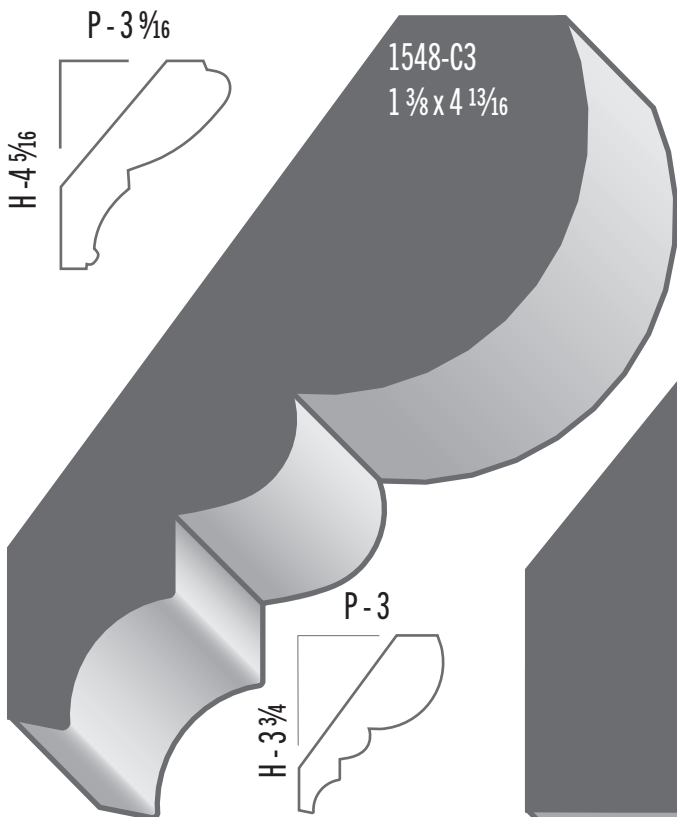
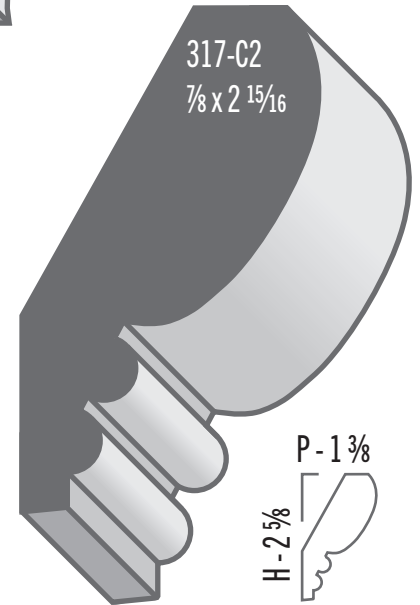
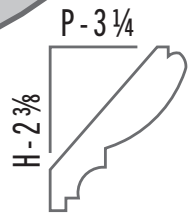
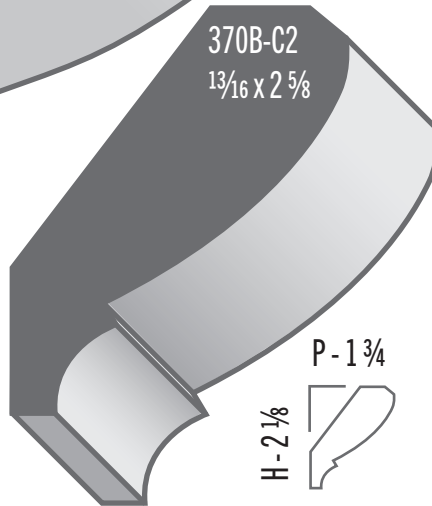
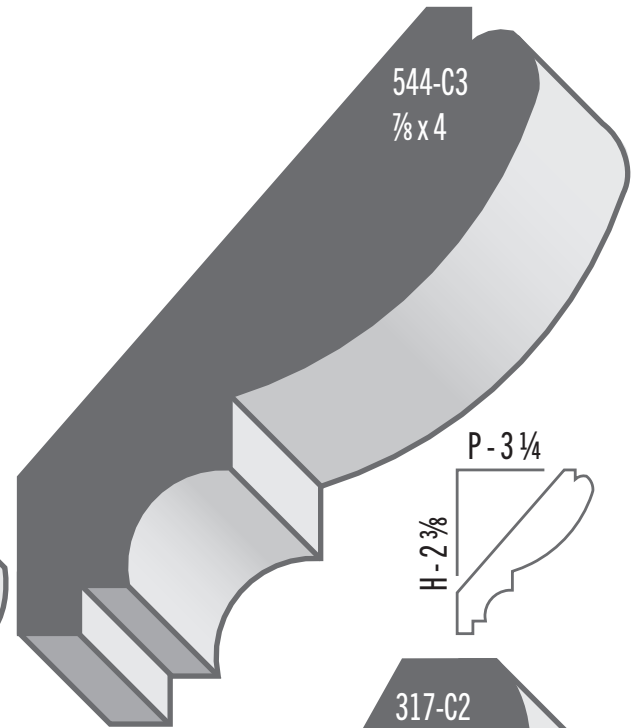
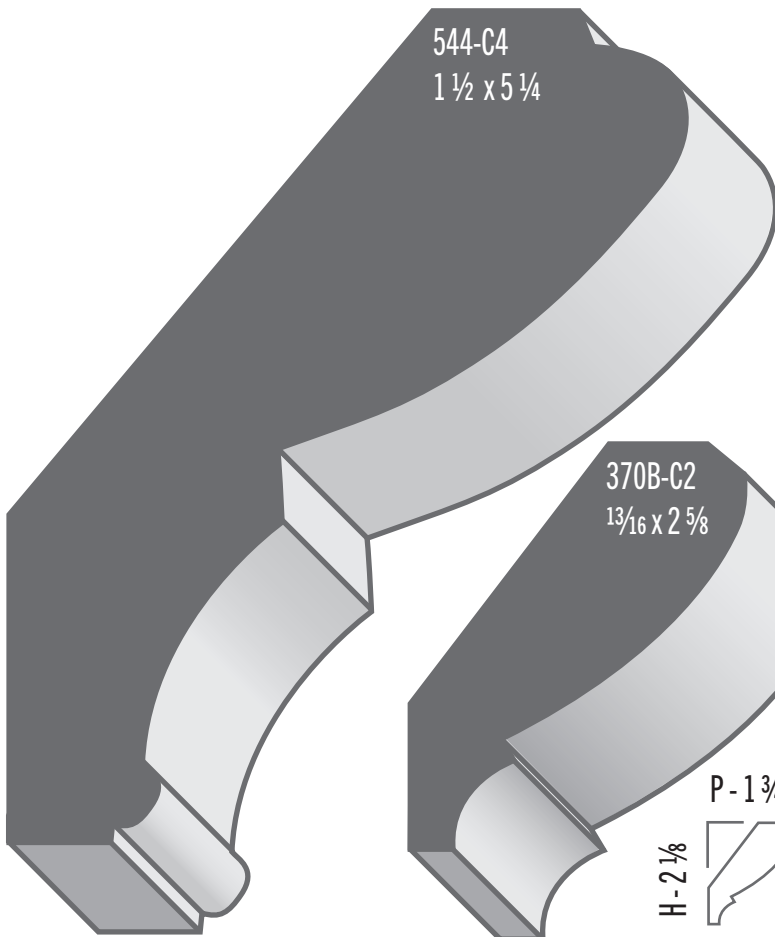


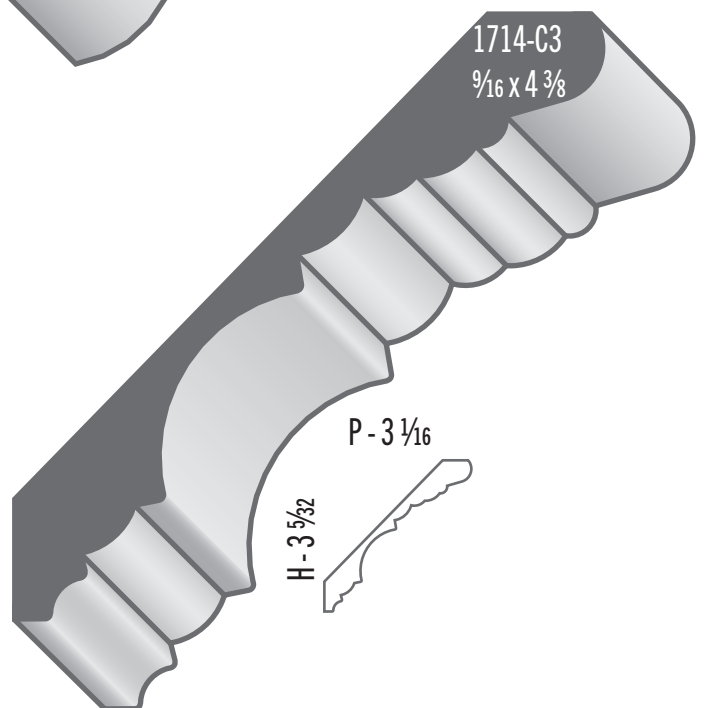
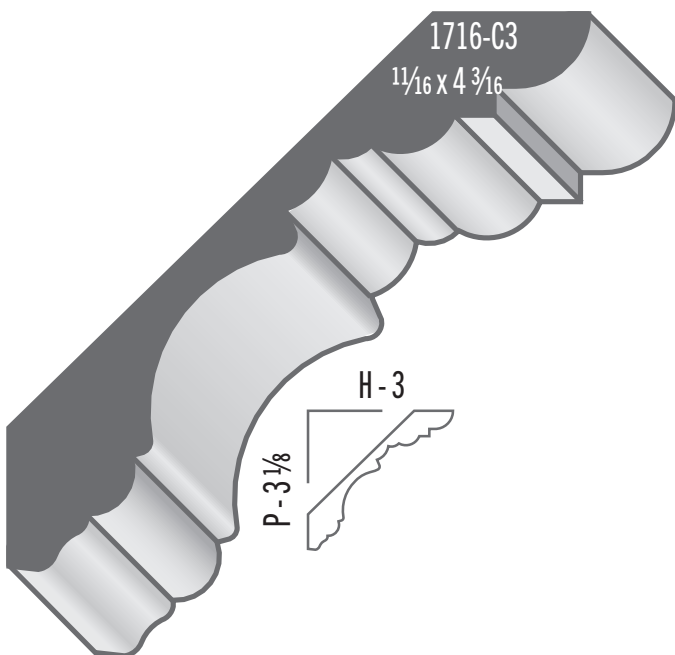
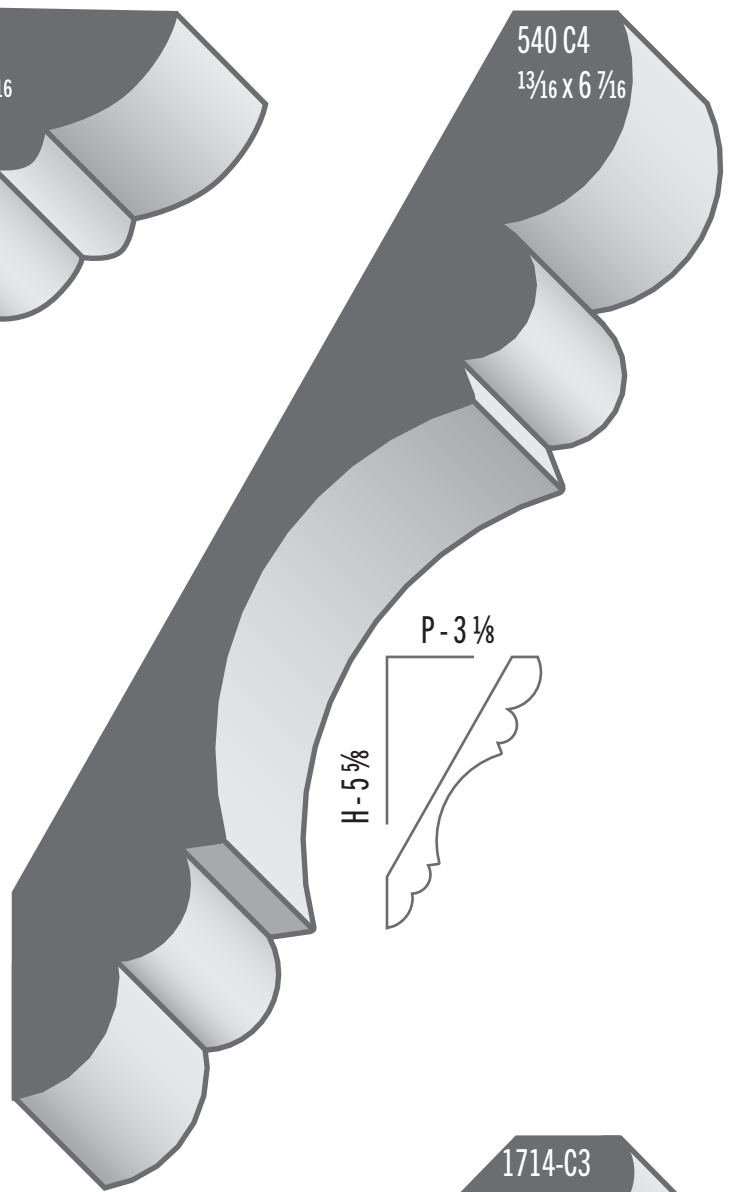
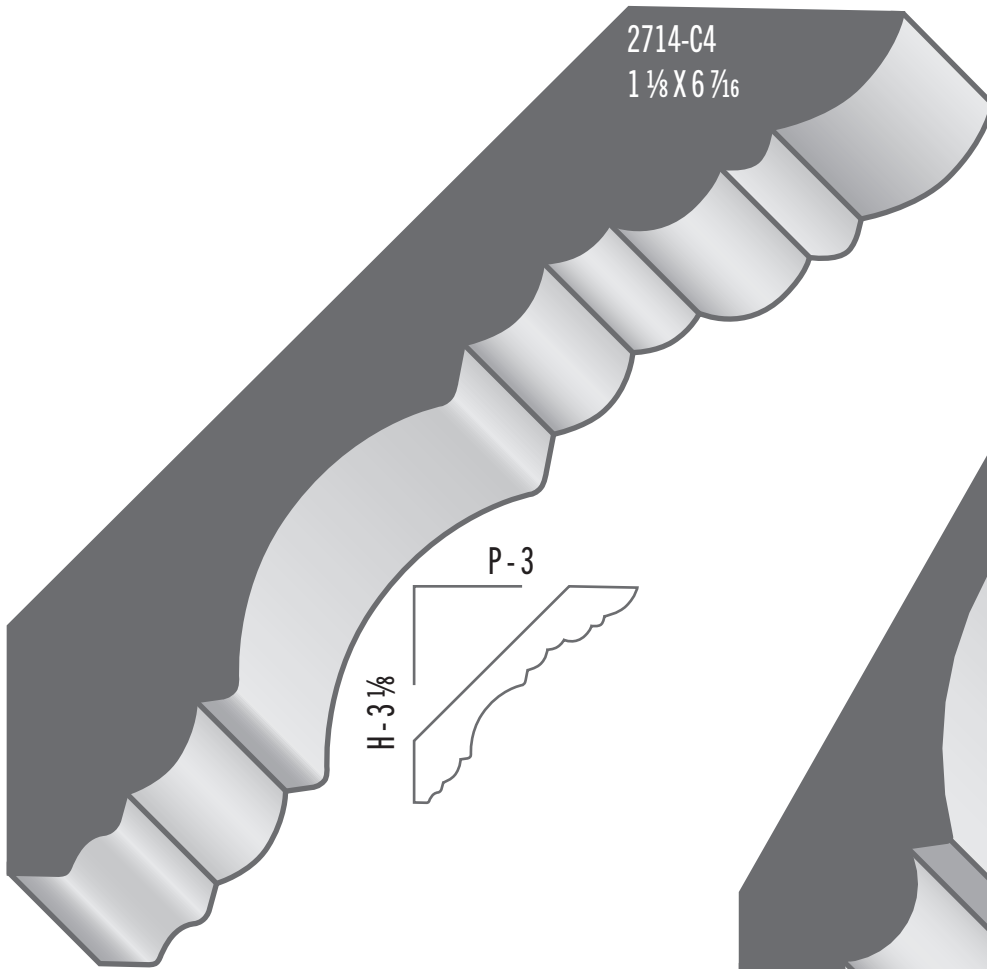


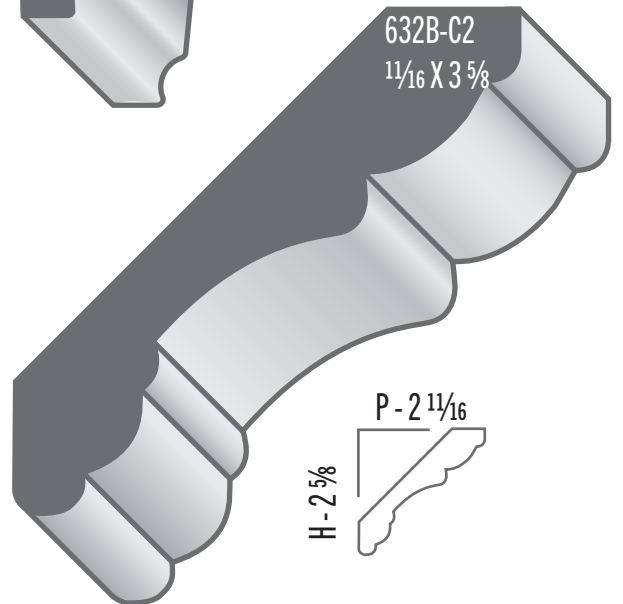
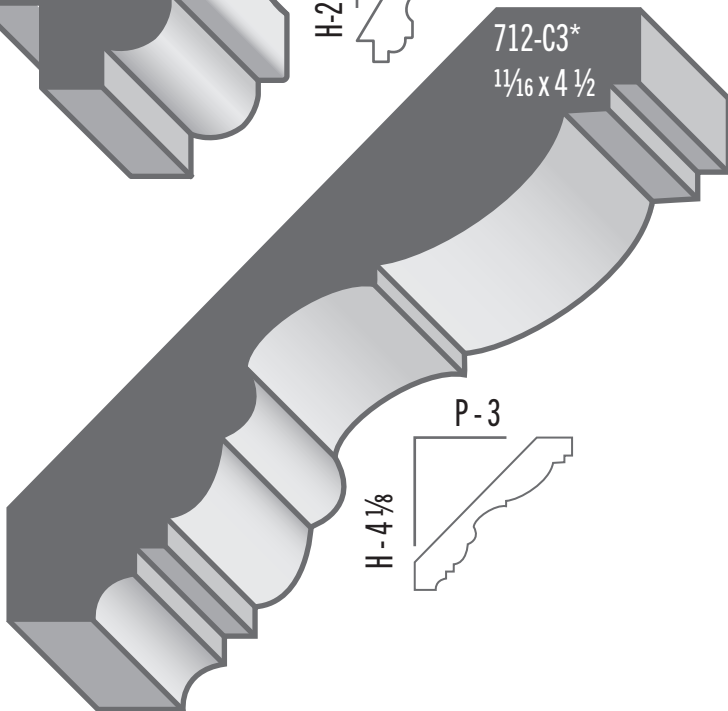
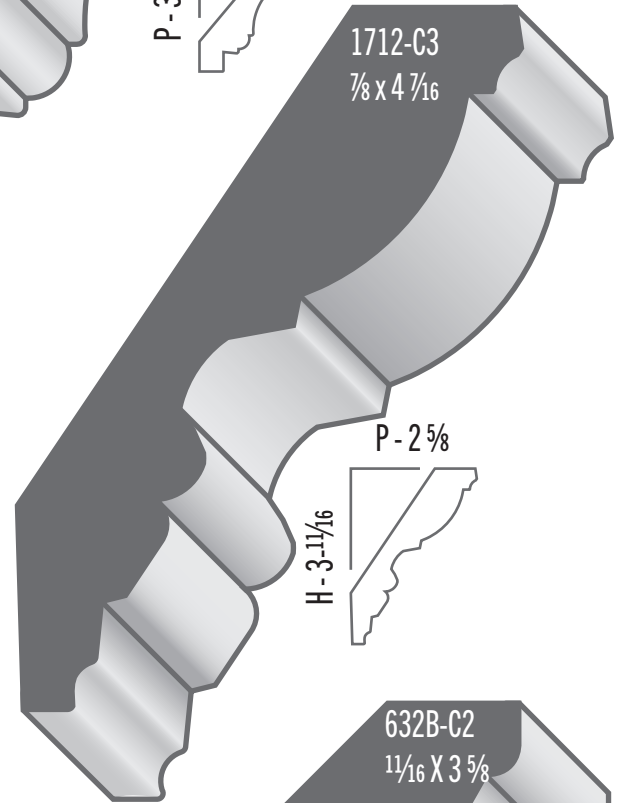
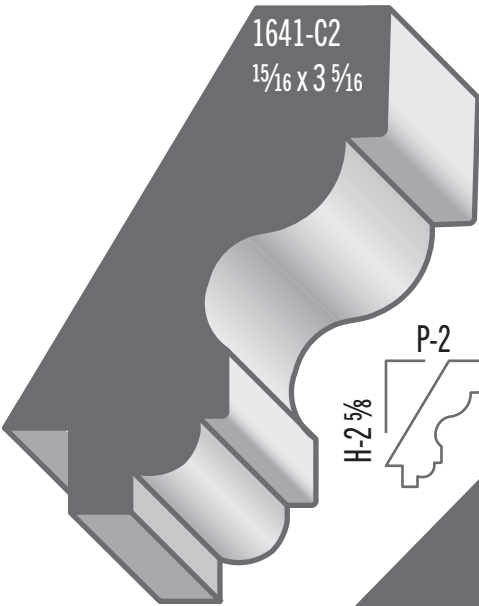
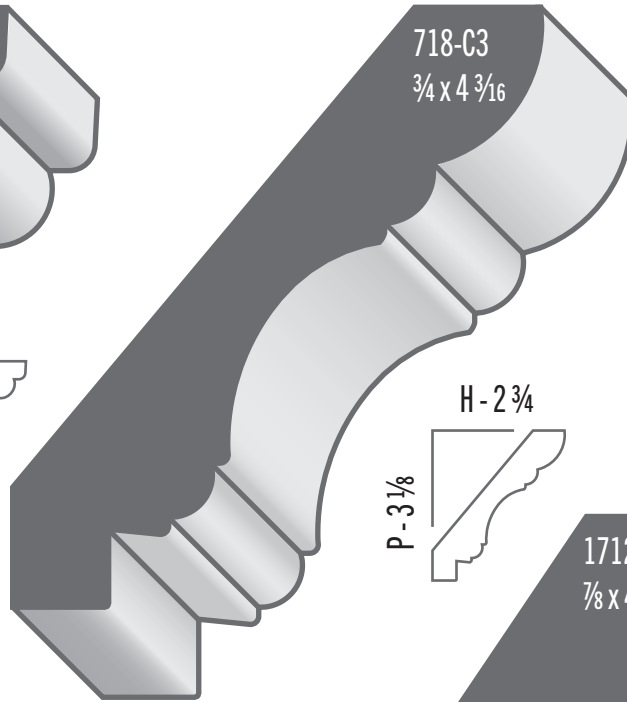
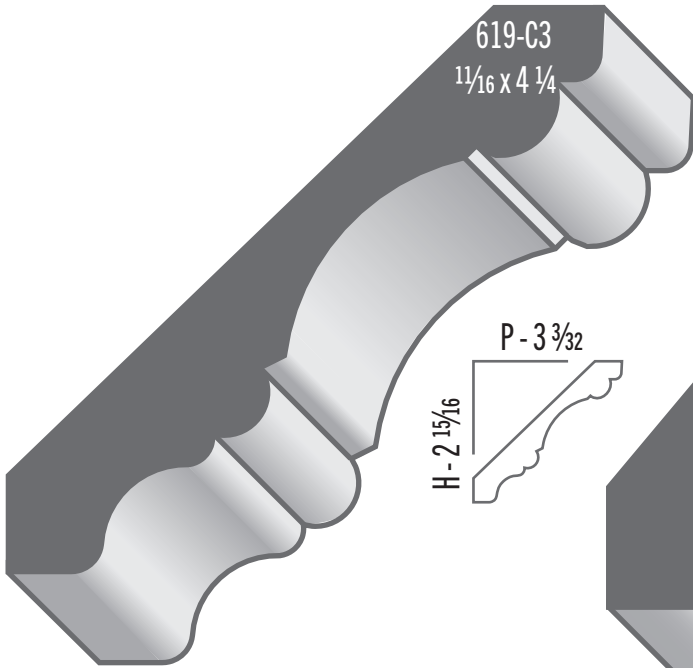


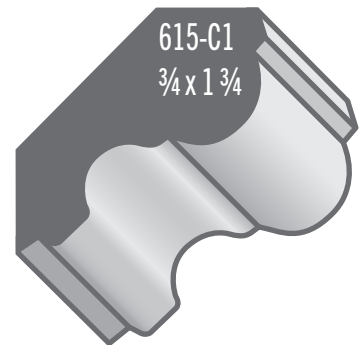
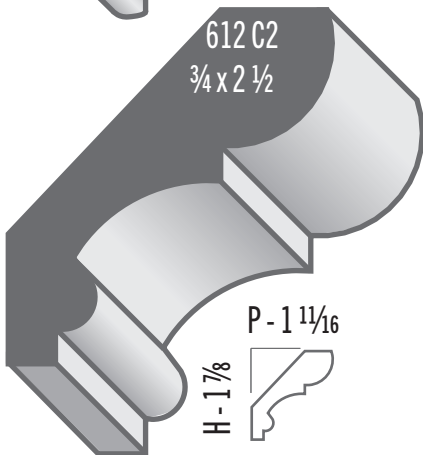
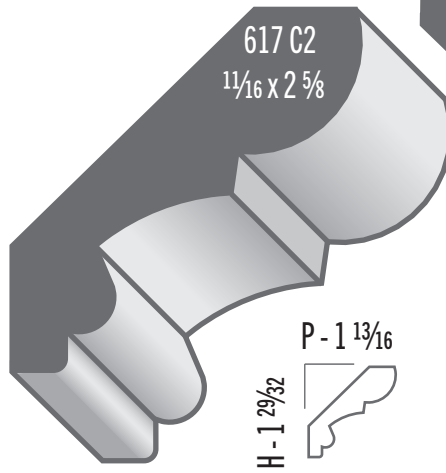
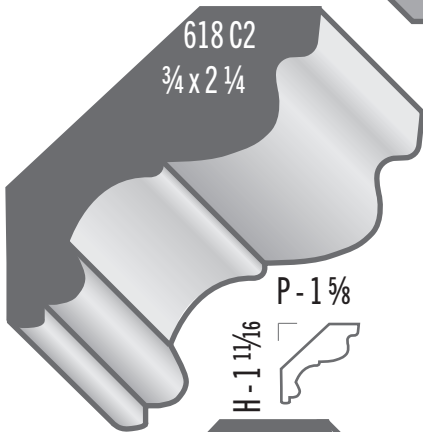
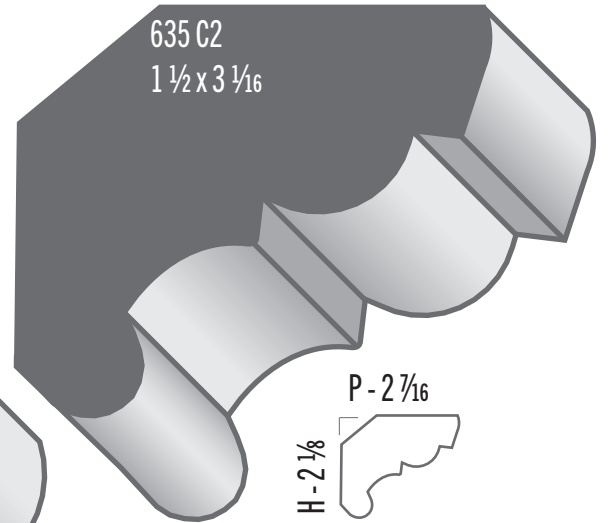
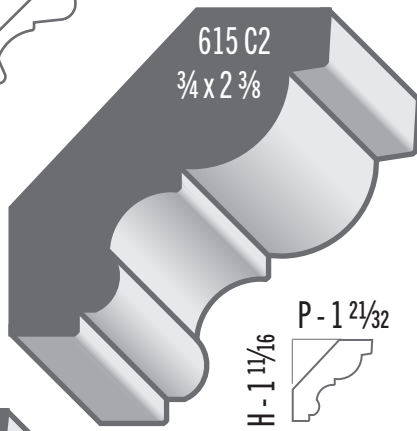
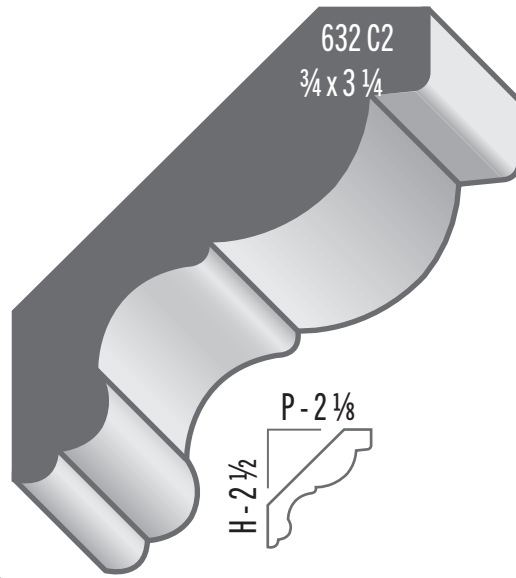
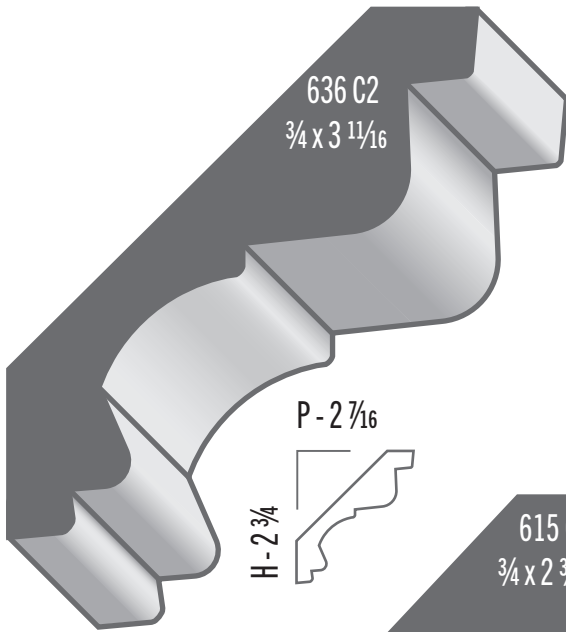
‡ Sample missing

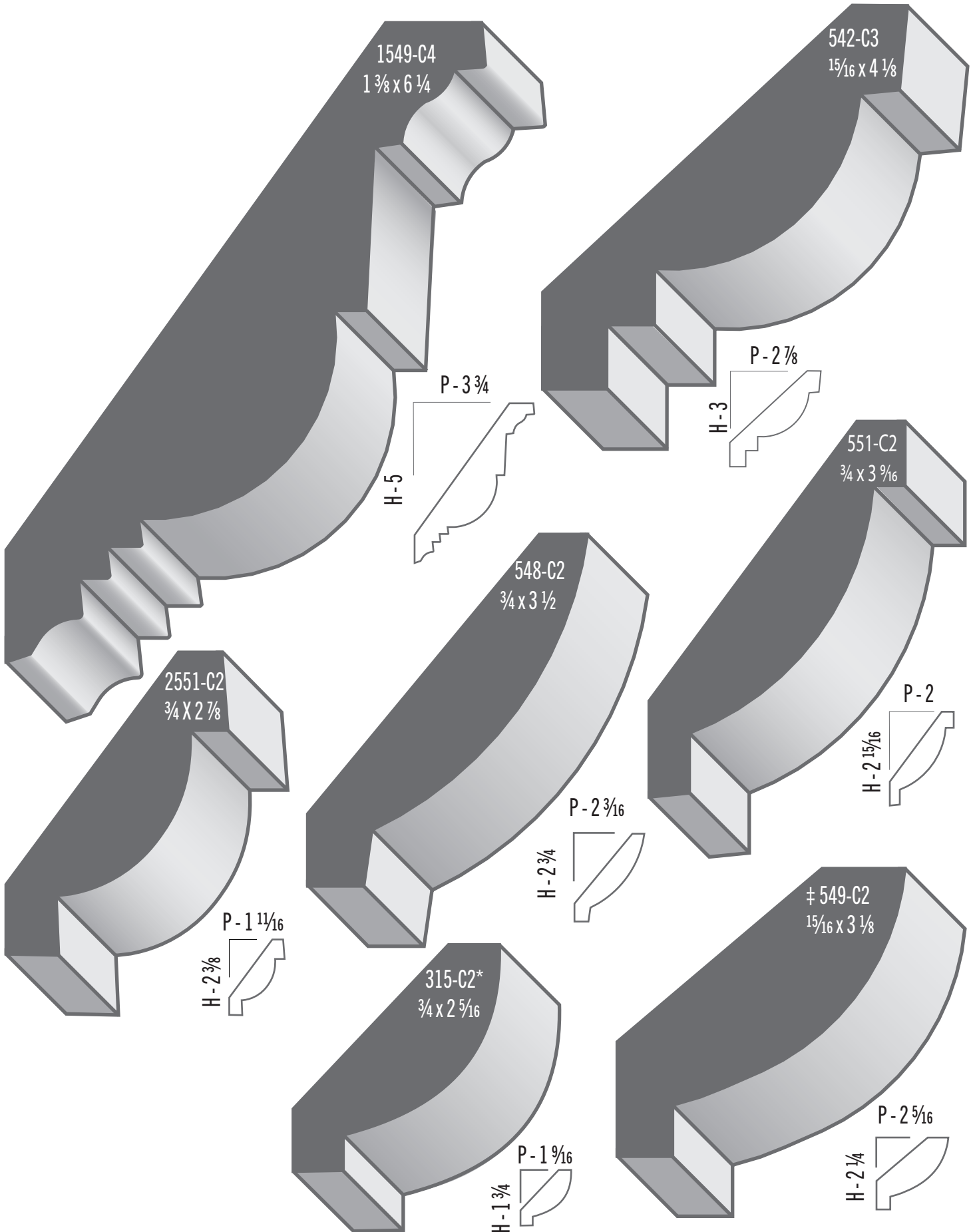








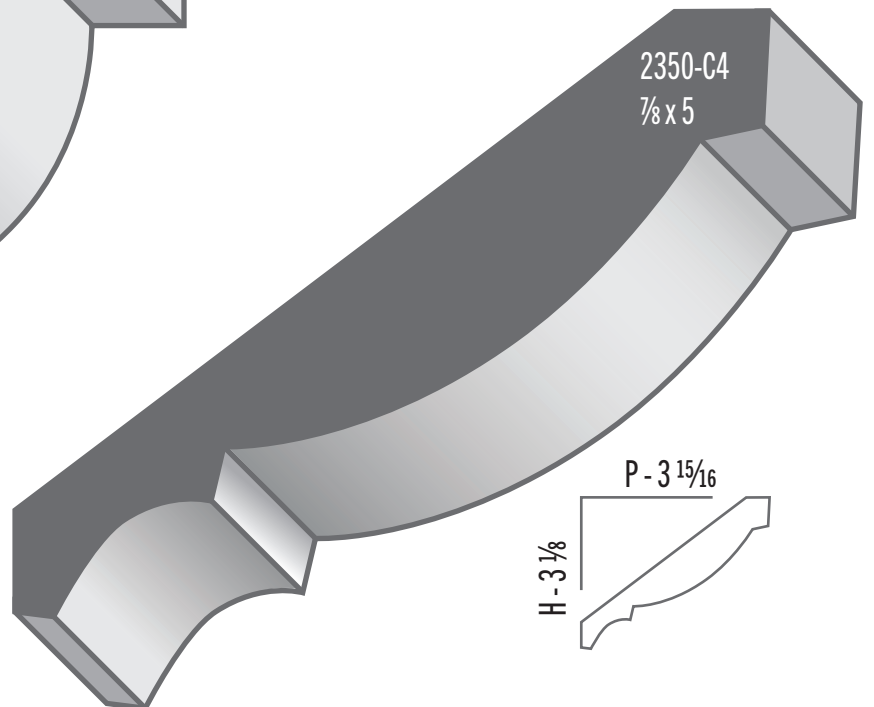
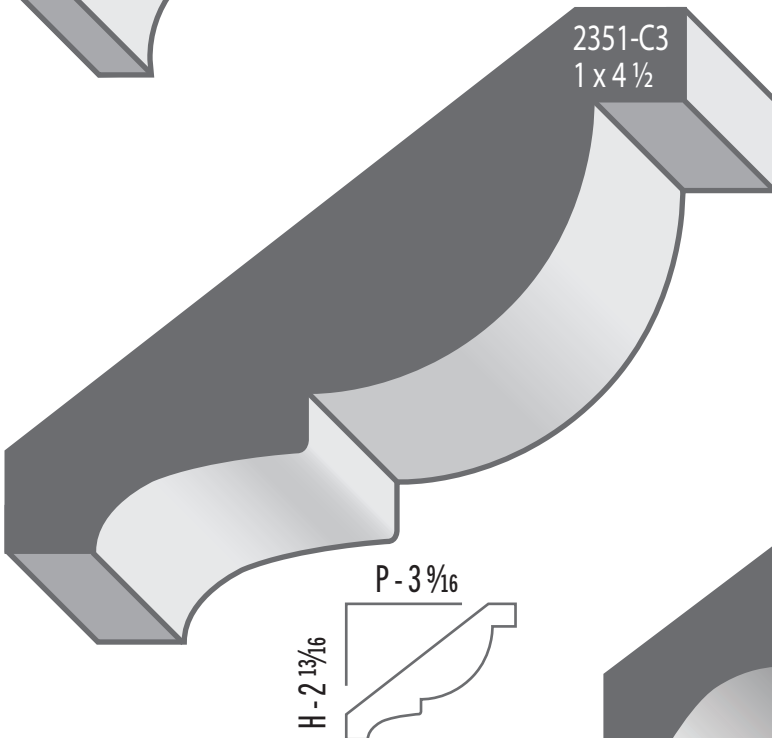
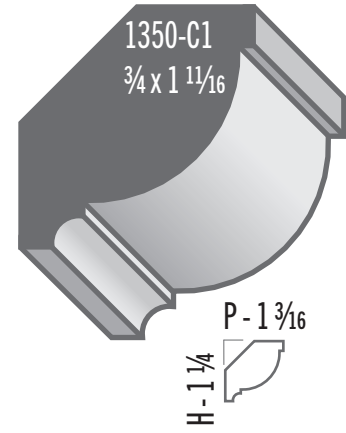
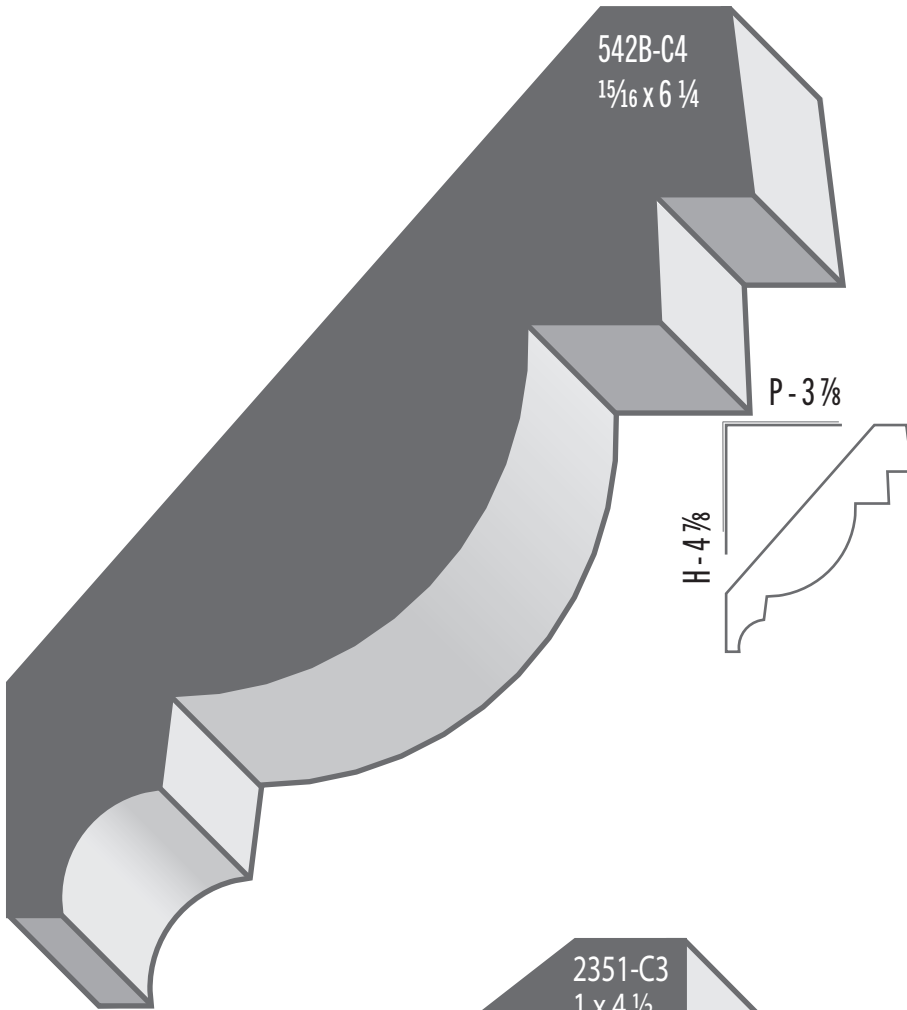


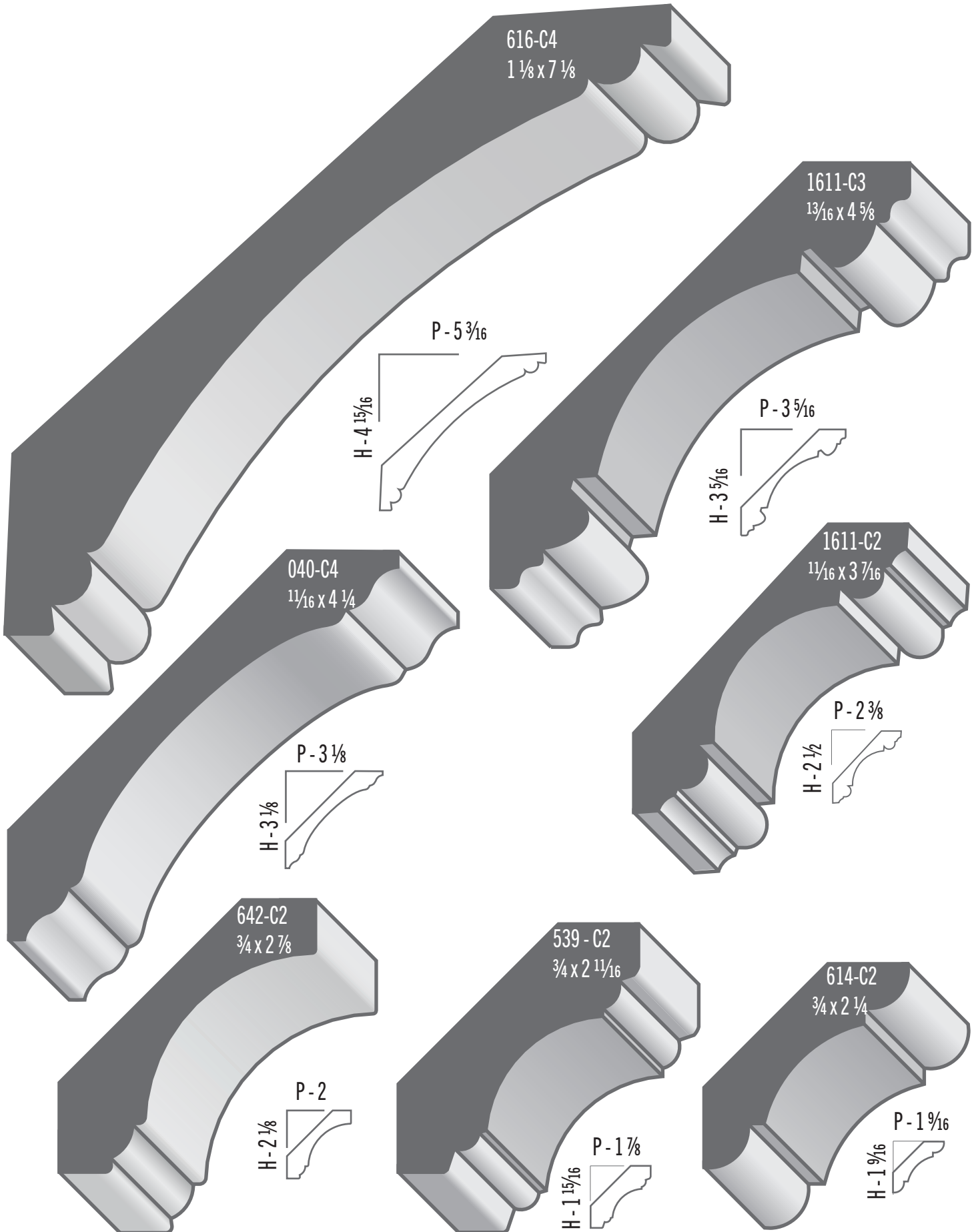






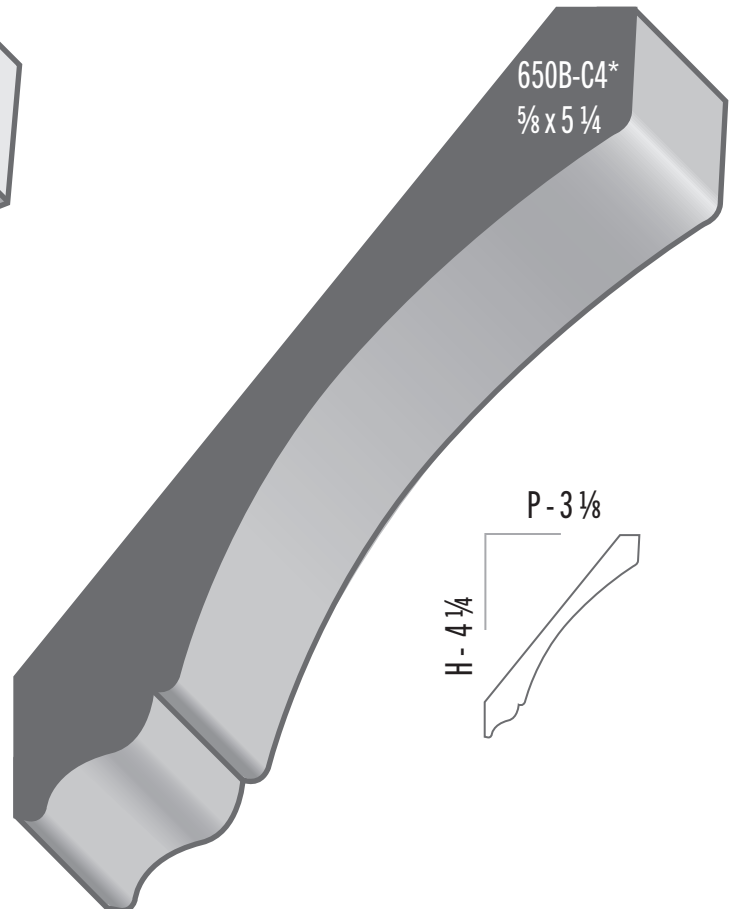
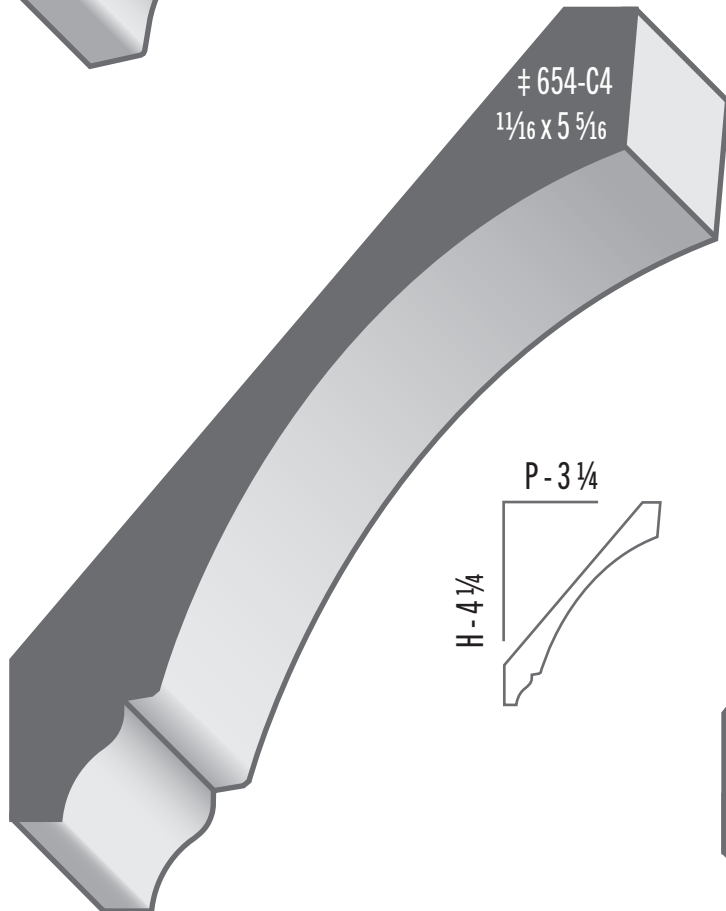
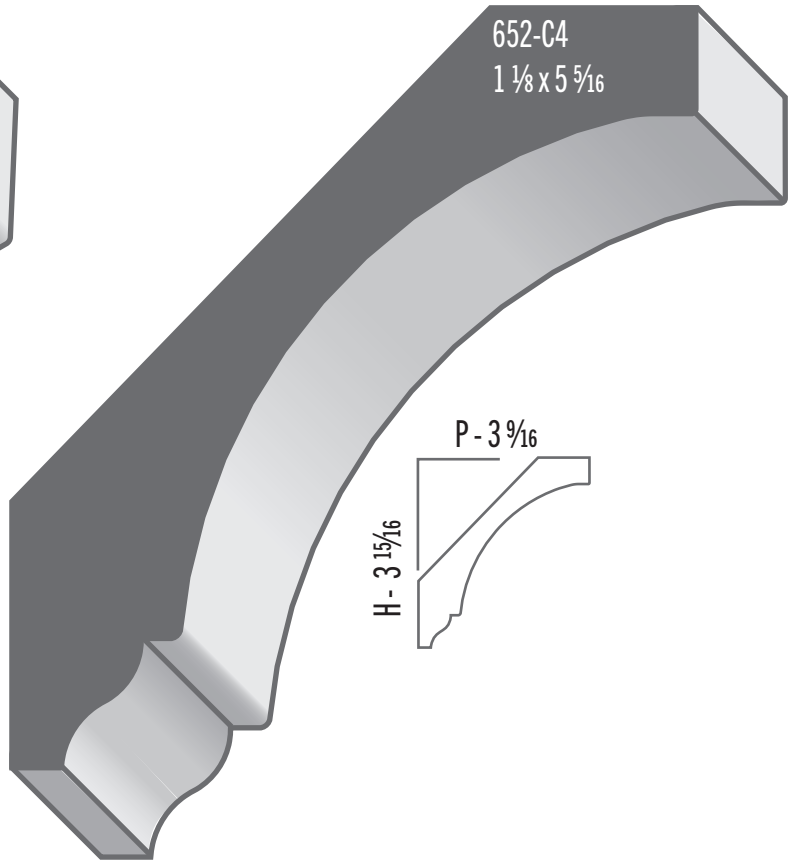
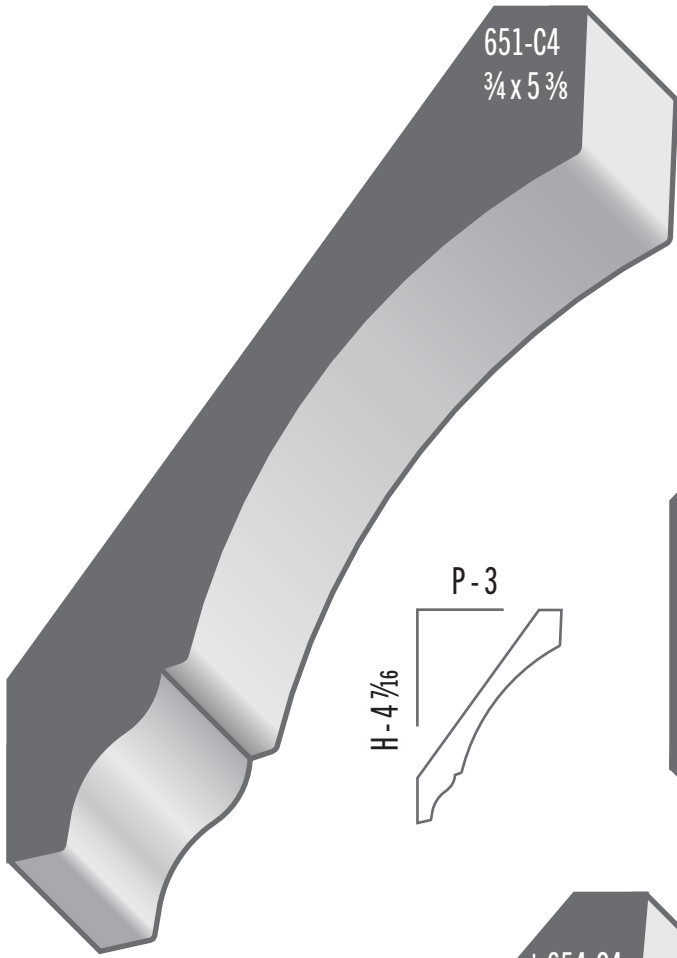
‡ Sample missing

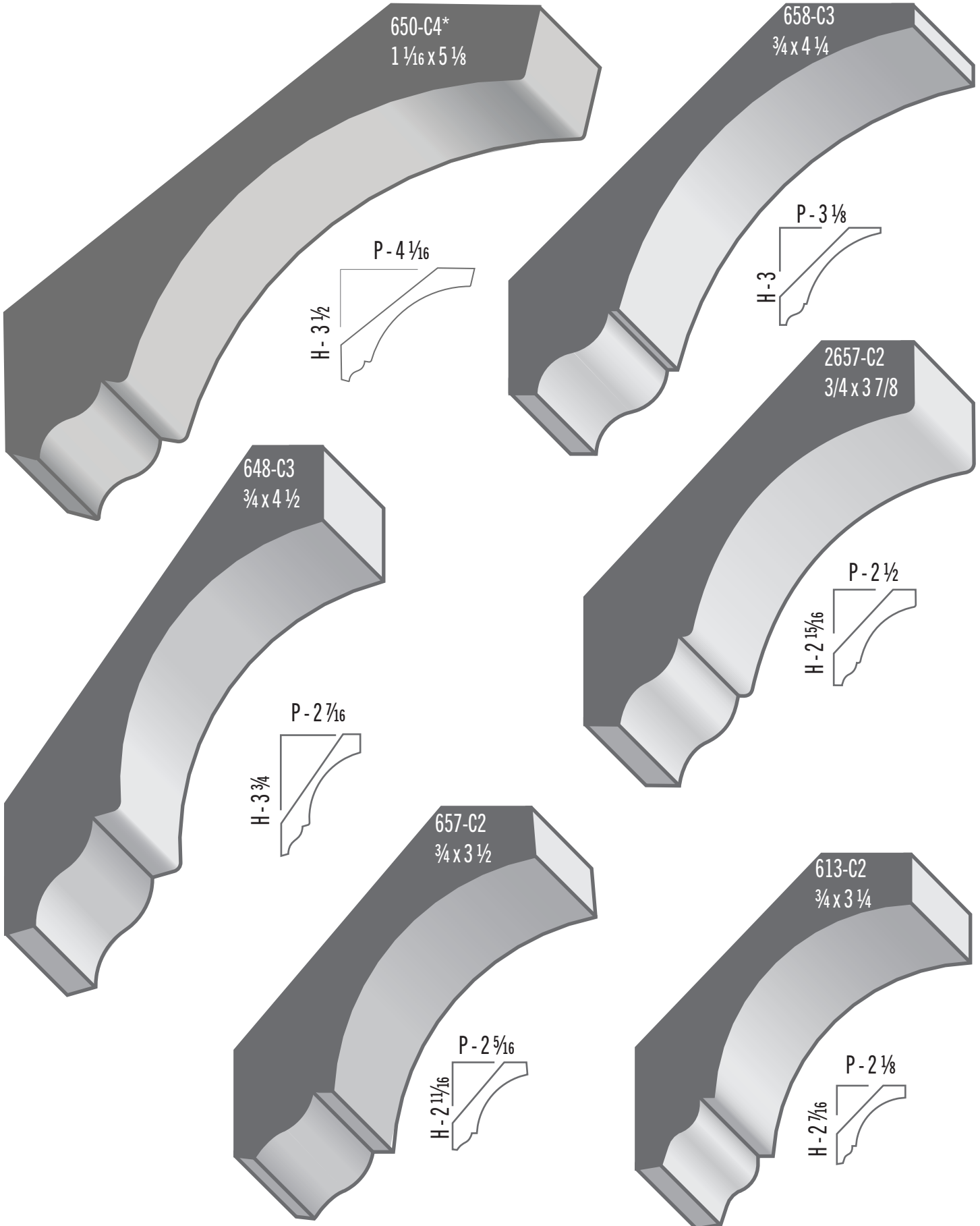






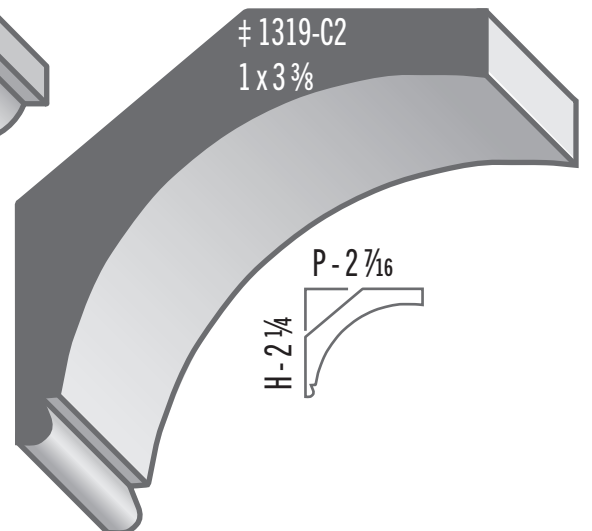
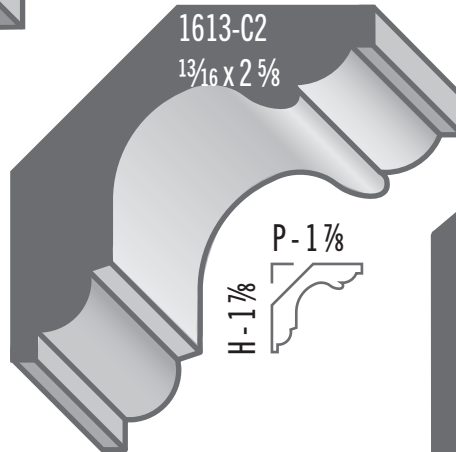
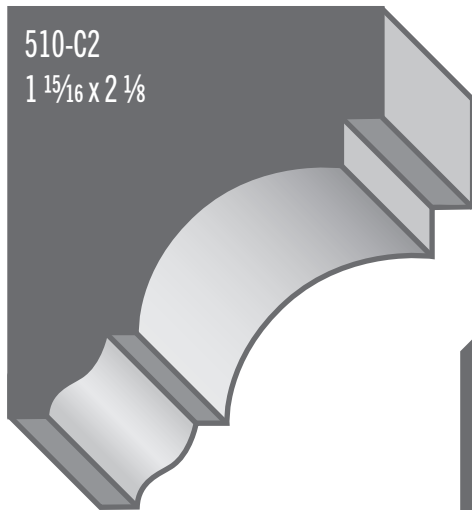
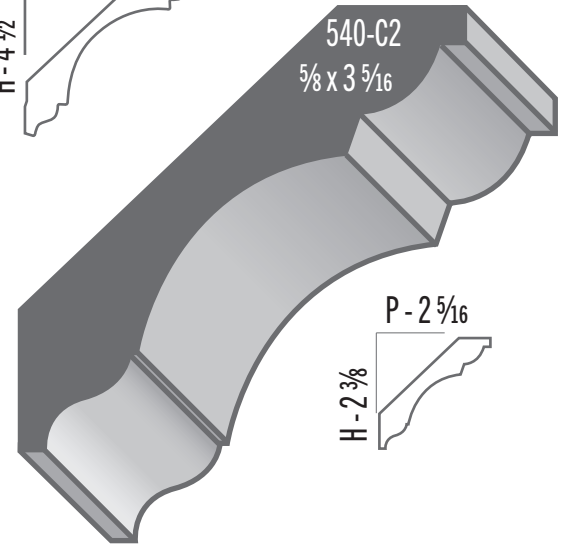
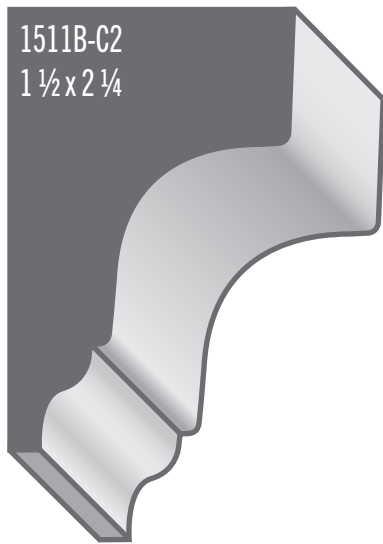
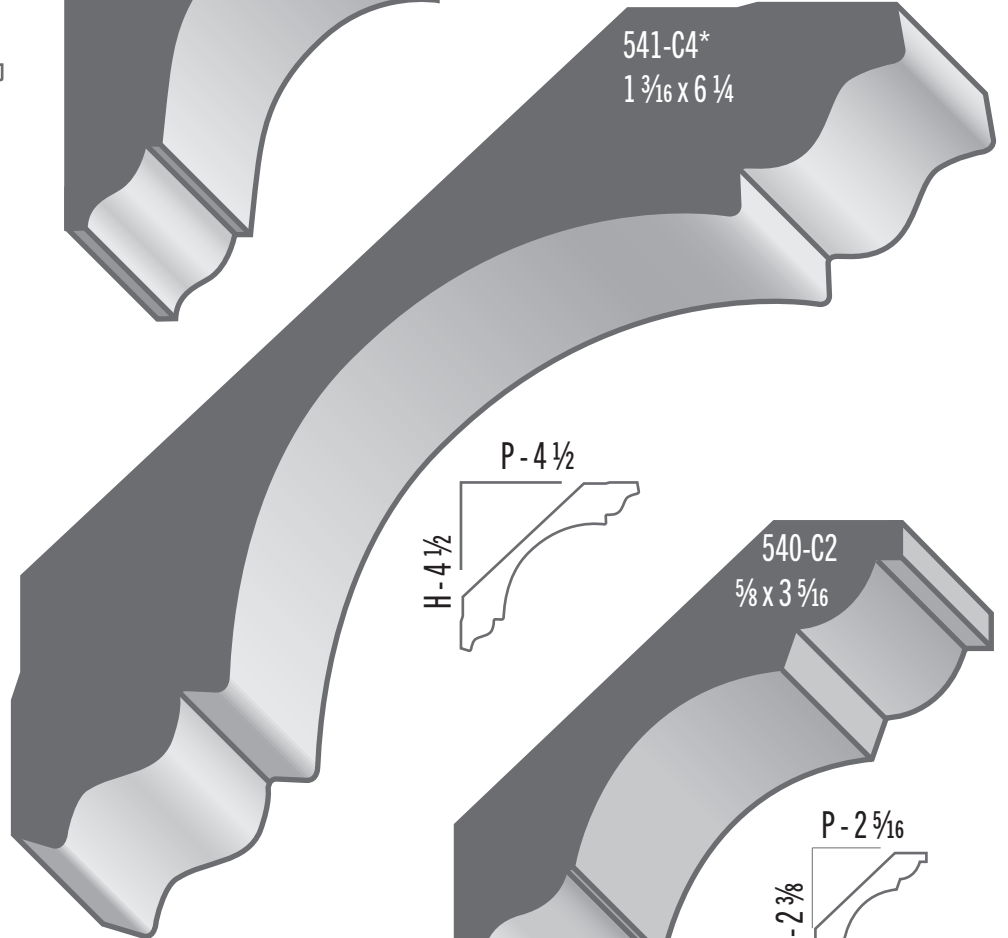
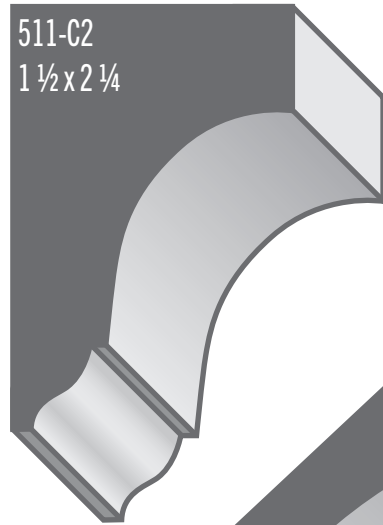
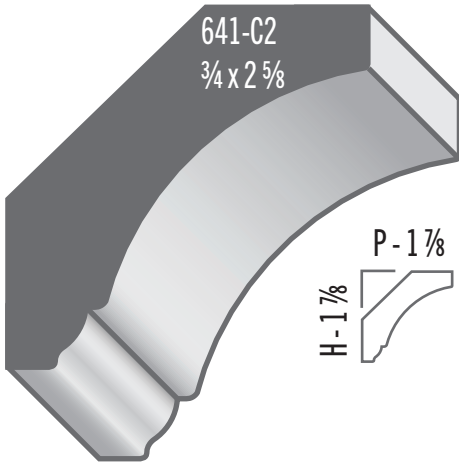
‡ Sample missing

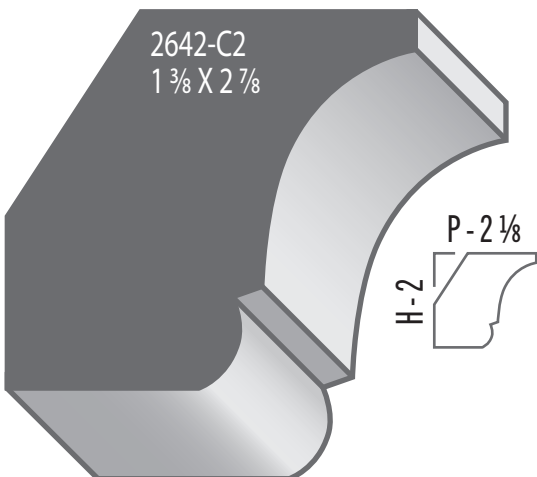
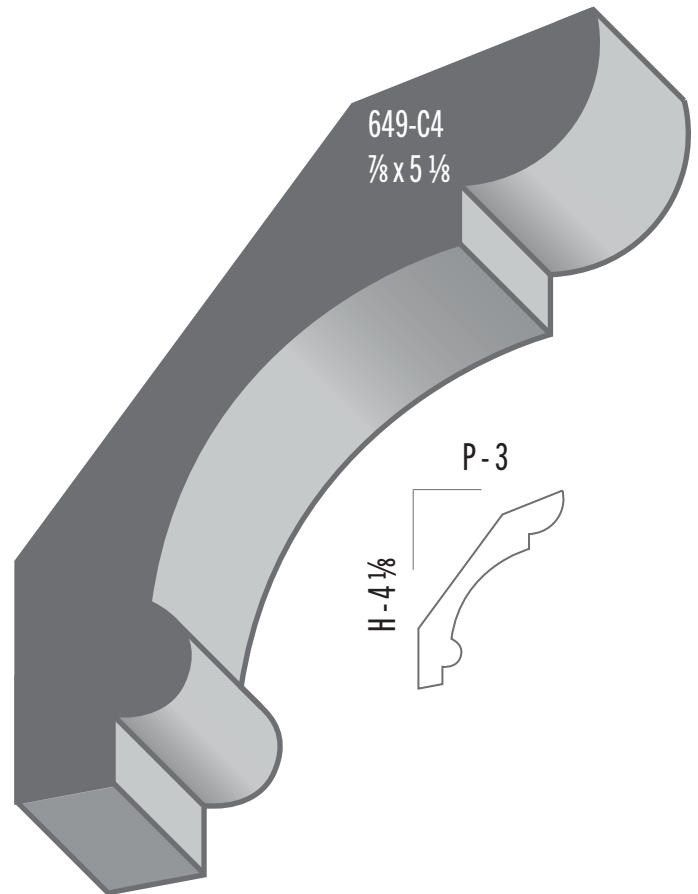
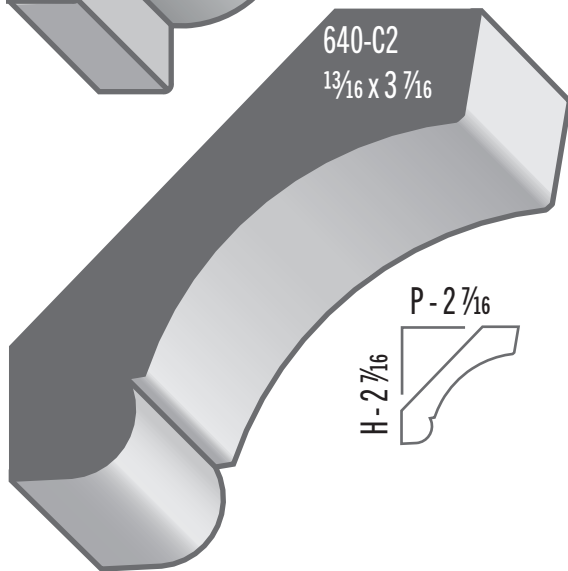
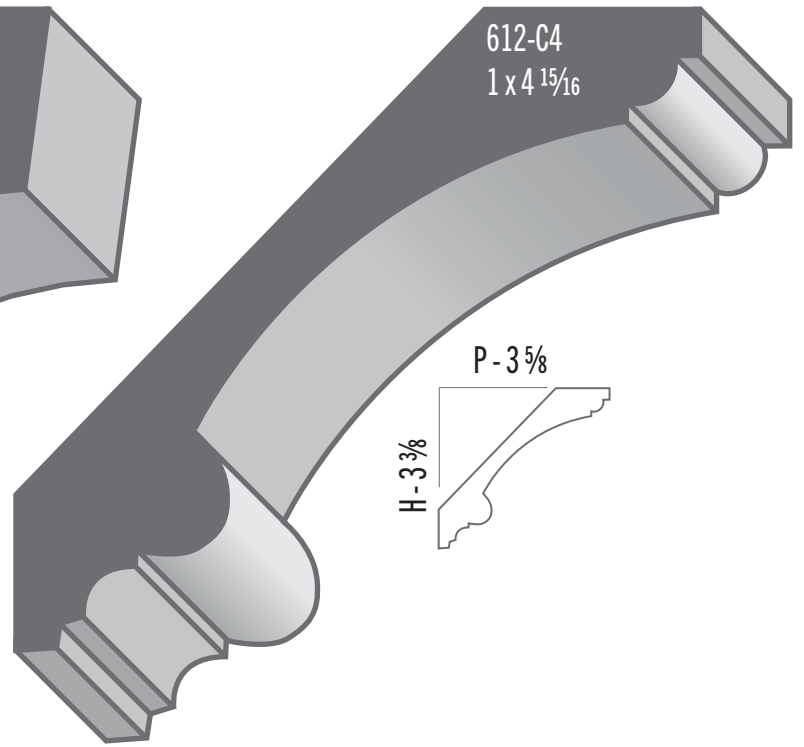
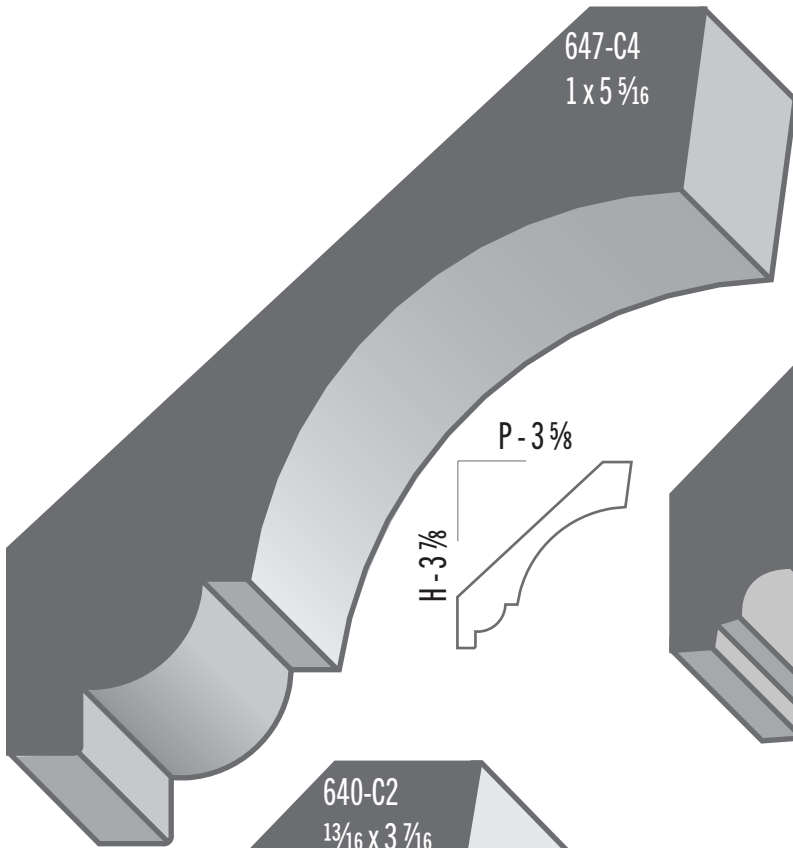


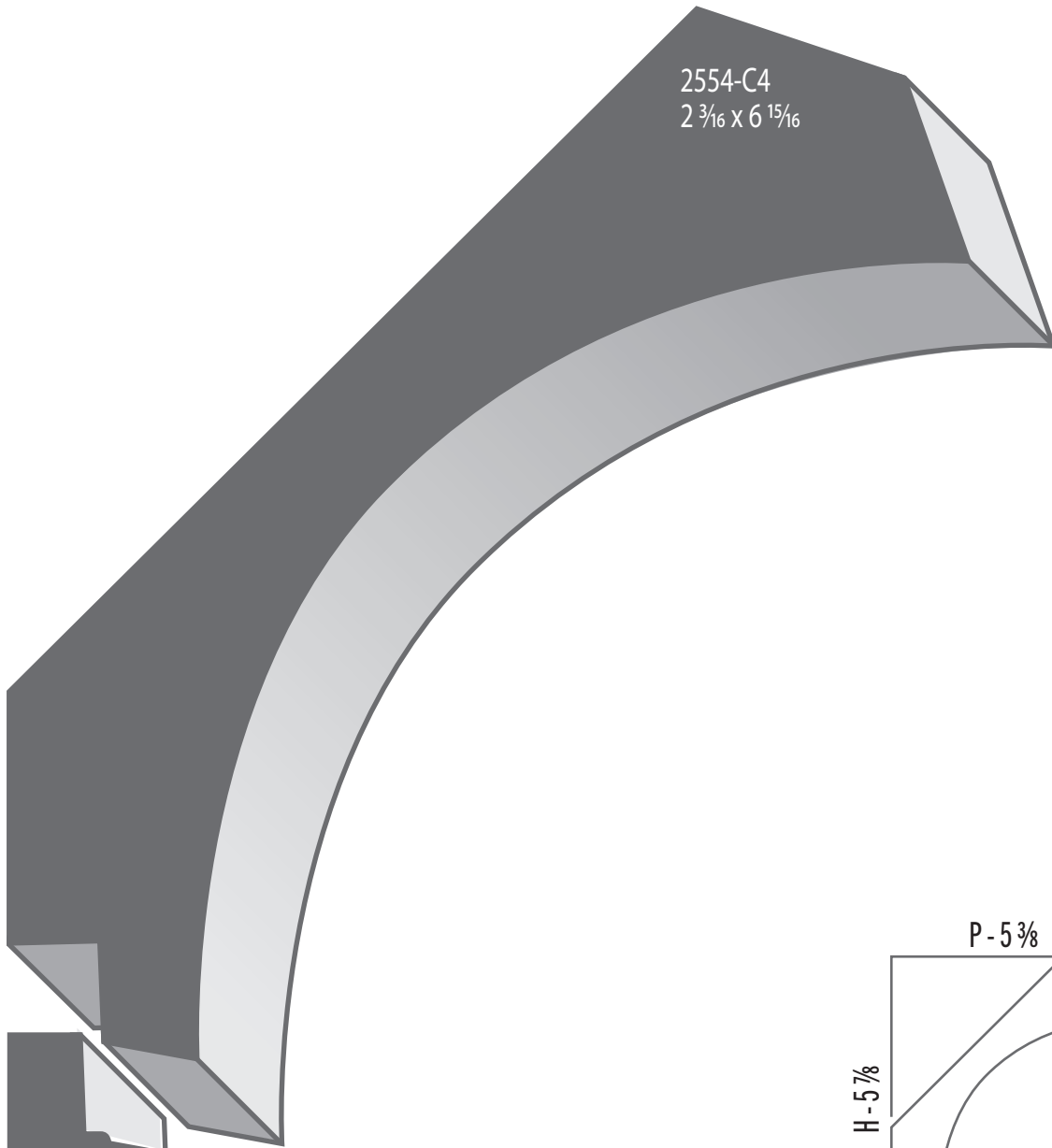




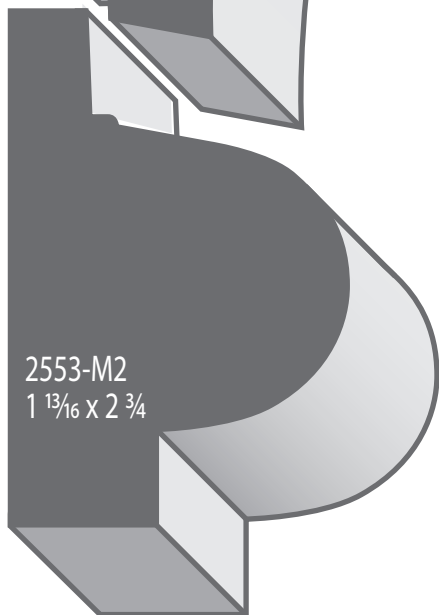
‡ Sample missing



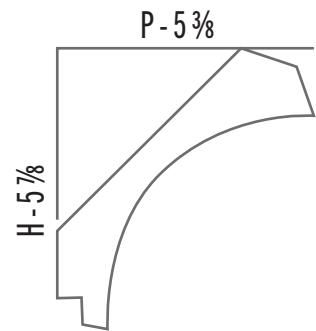




2554-C4  
2 <sup>3</sup>/<sub>16</sub> X 6 <sup>15</sup>/<sub>16</sub>

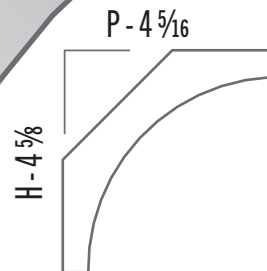
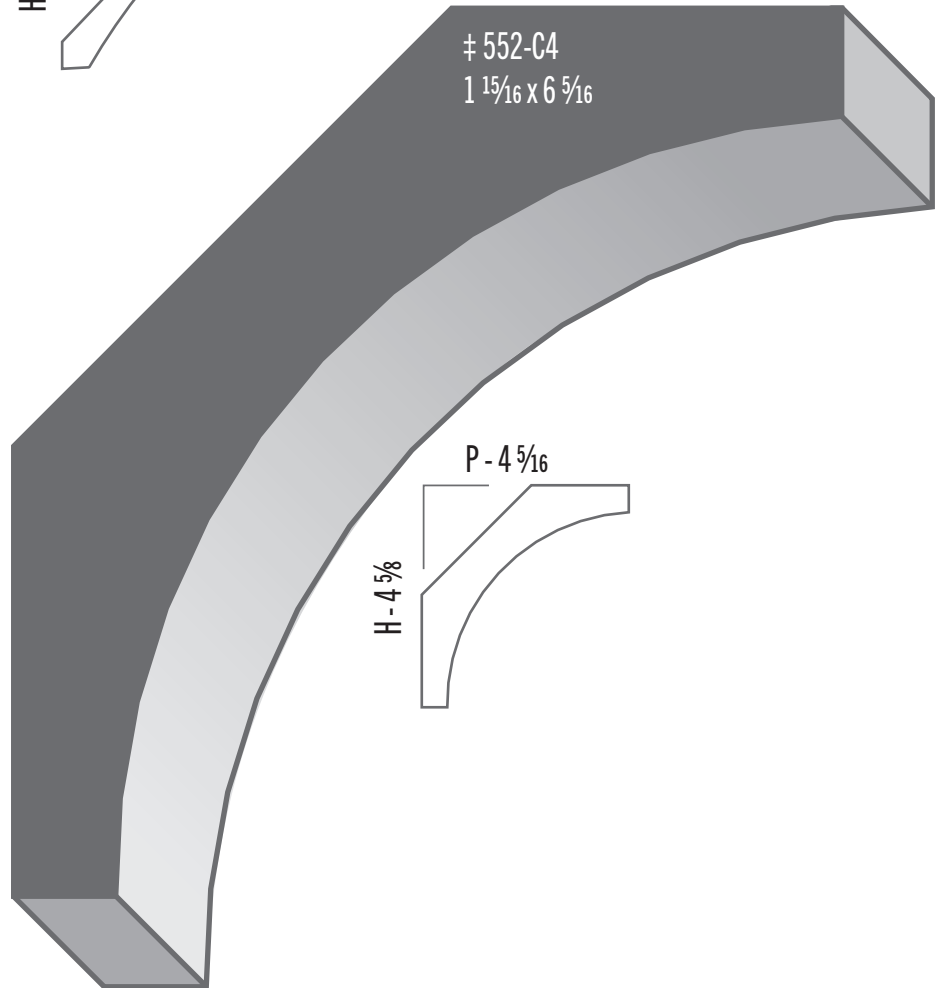
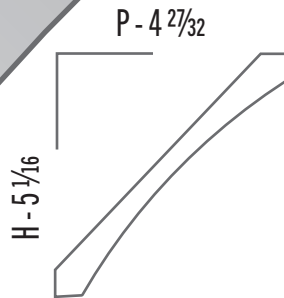
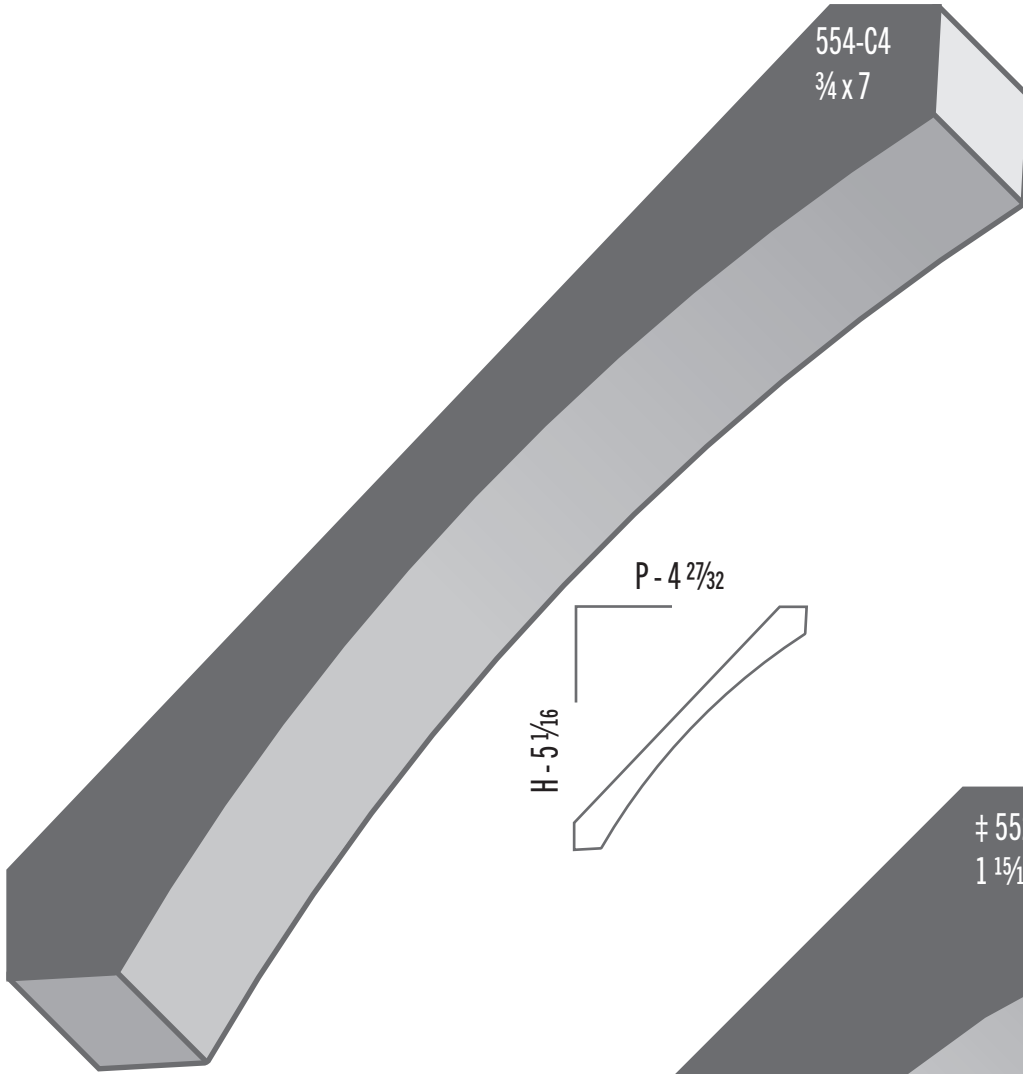


2553-M2  
1 <sup>13</sup>/<sub>16</sub> X 2 <sup>3</sup>/<sub>4</sub>





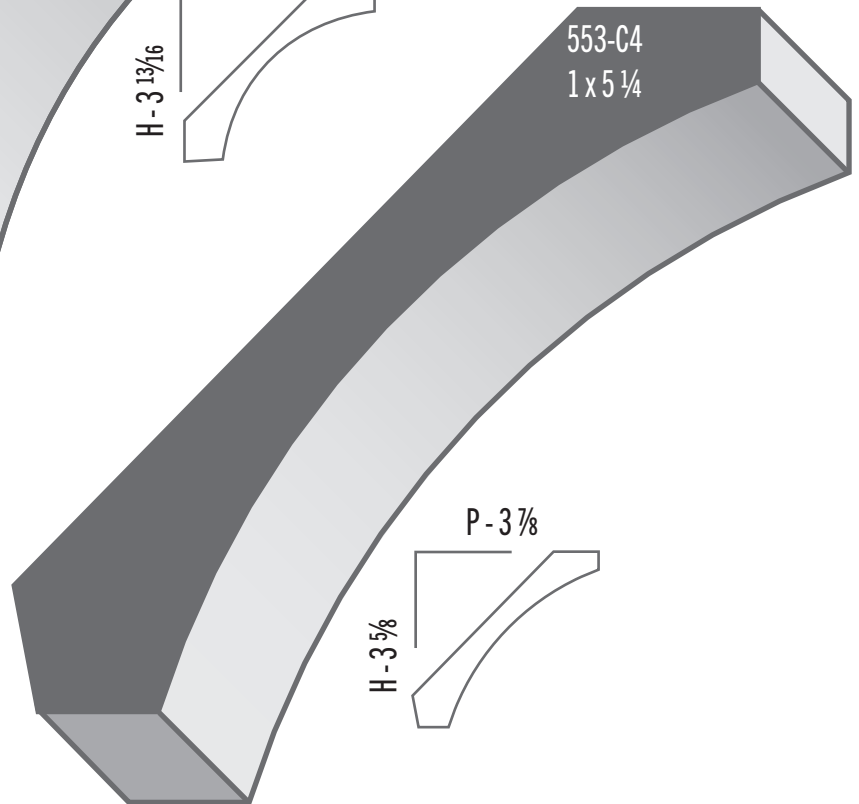
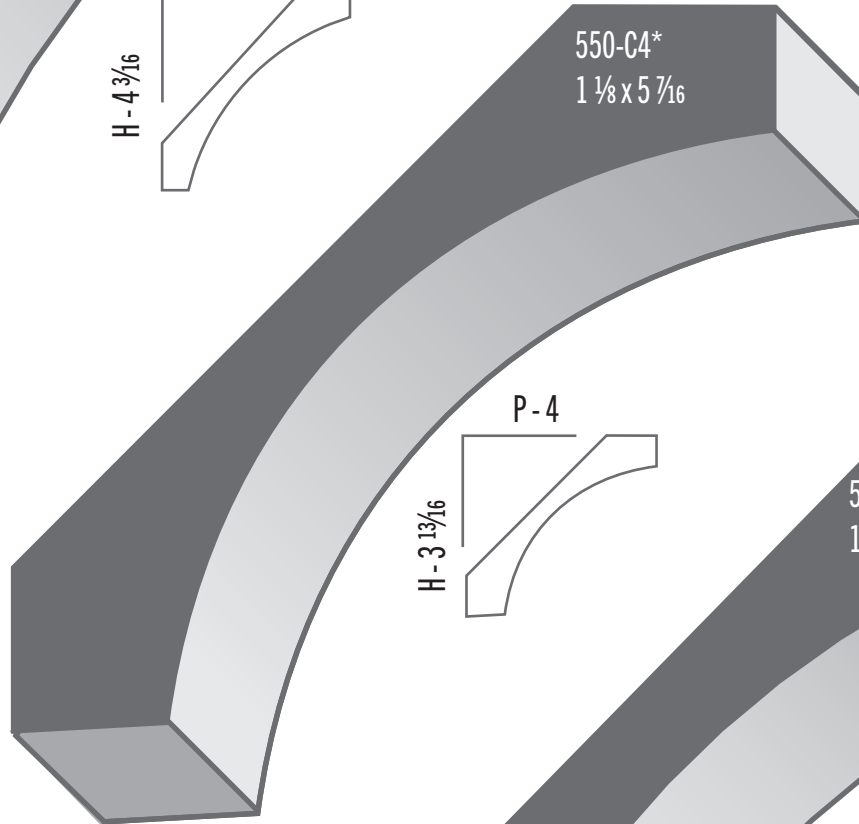
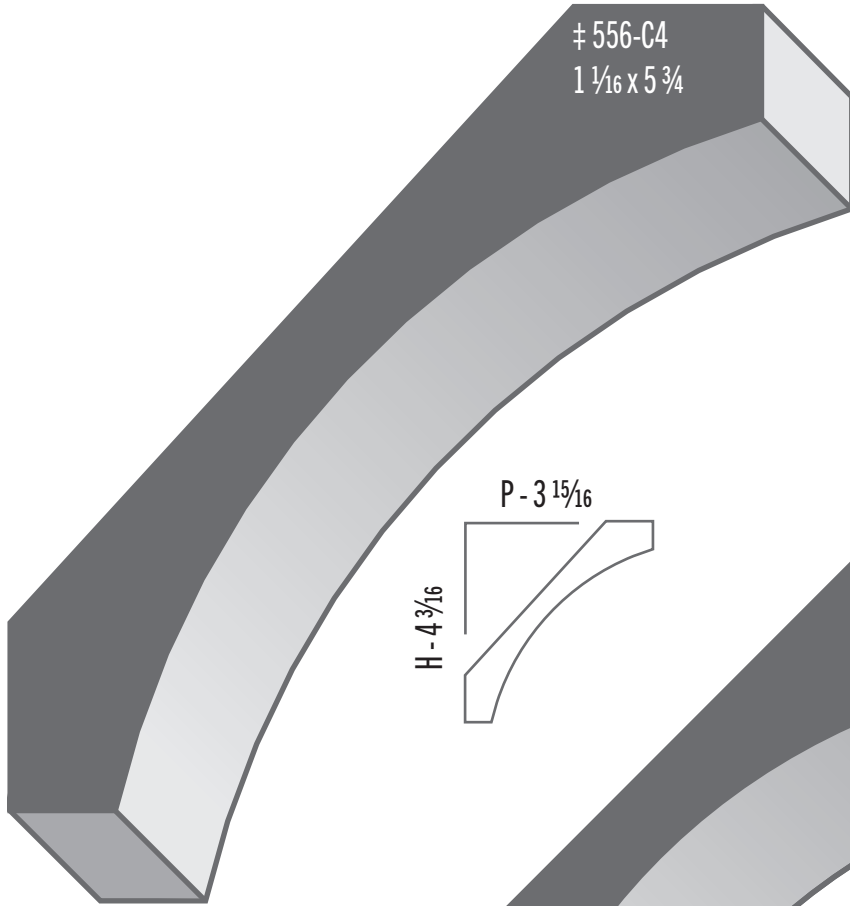
‡ Sample missing





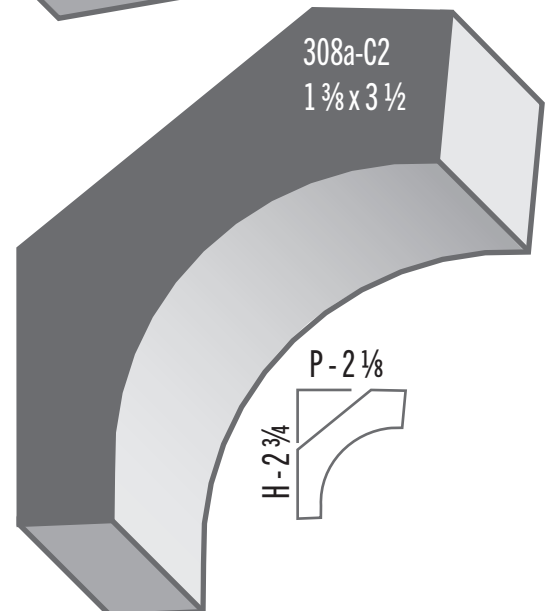
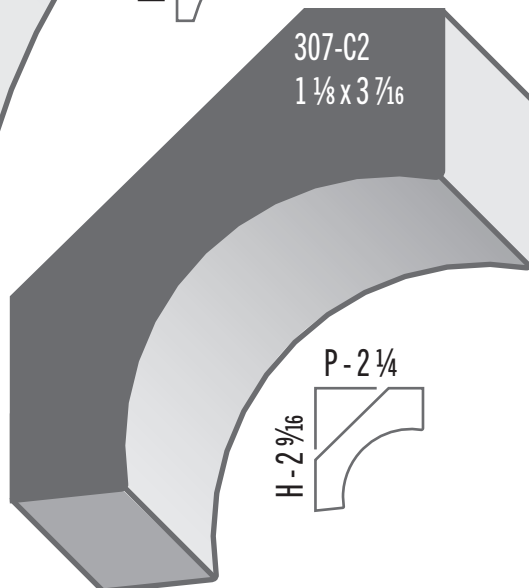
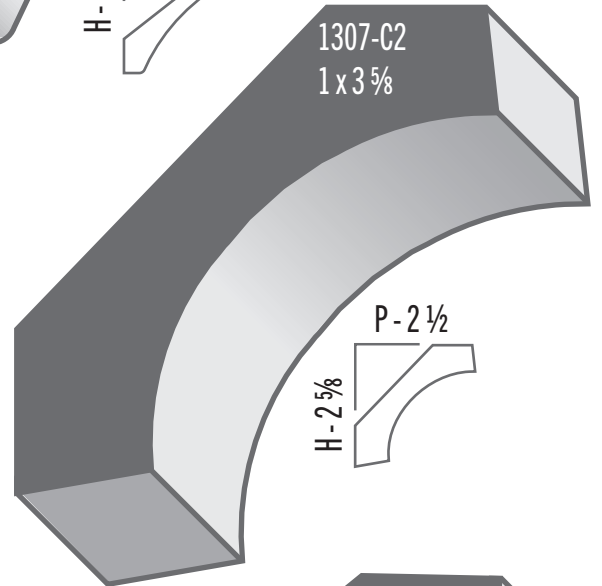
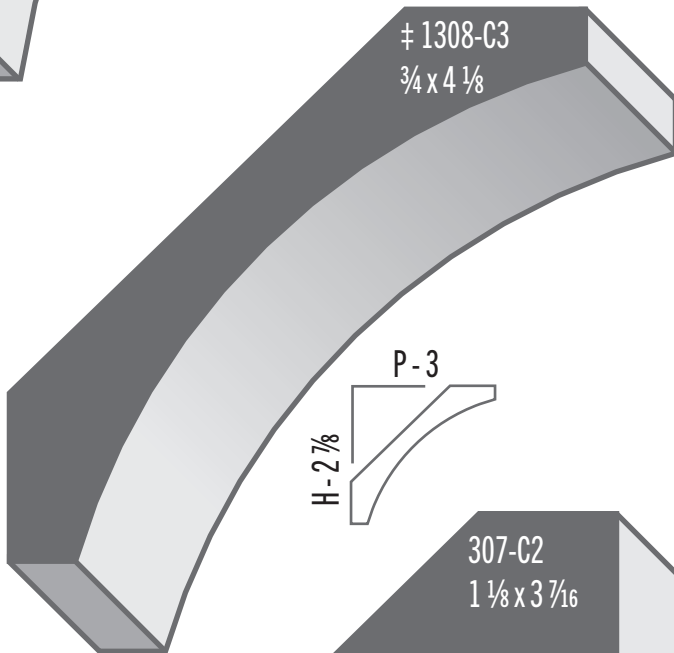
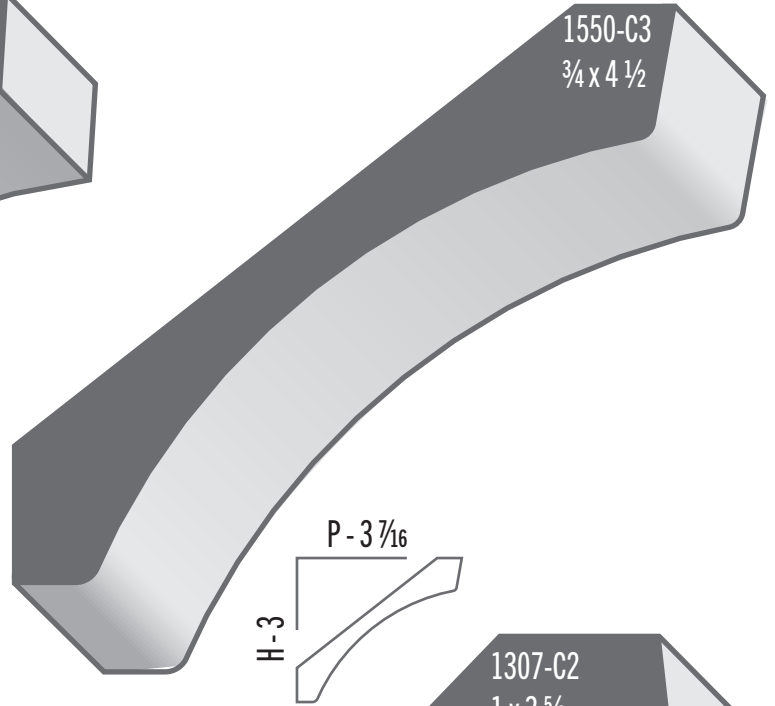
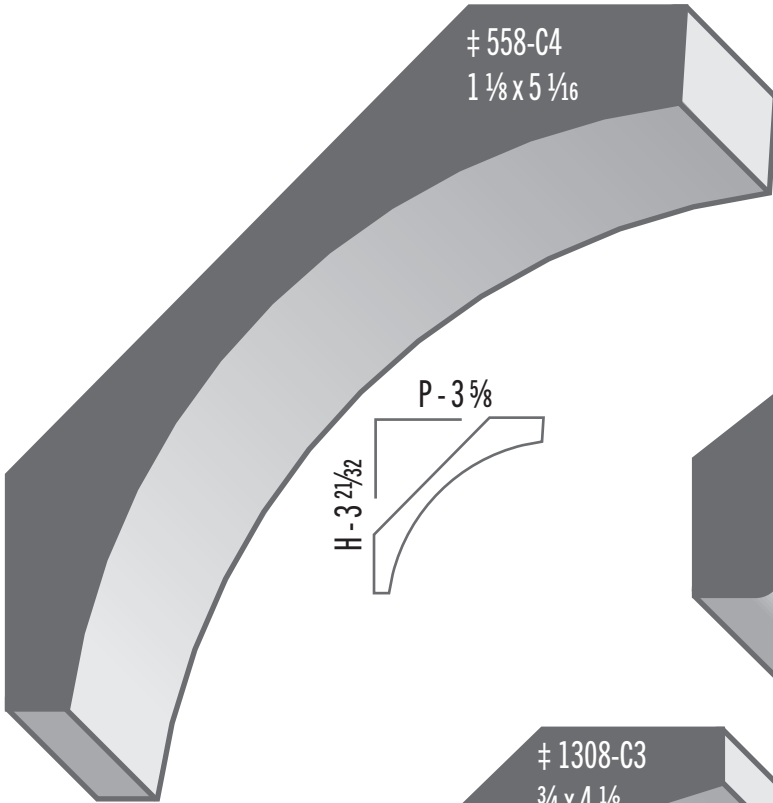


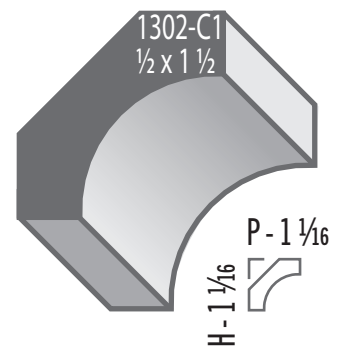
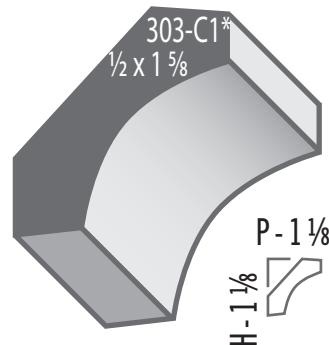
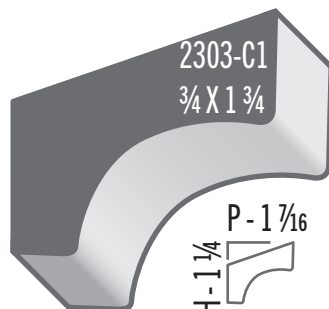
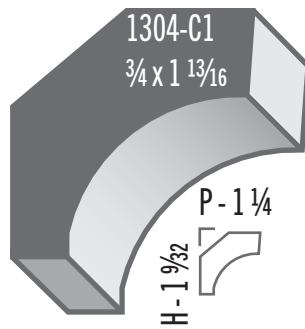
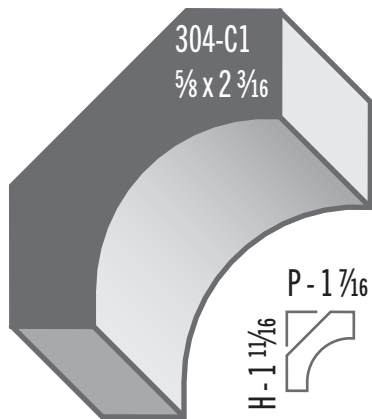
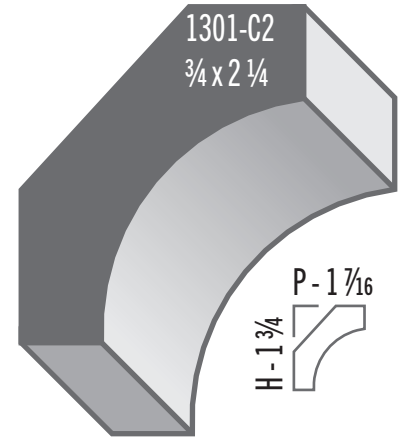
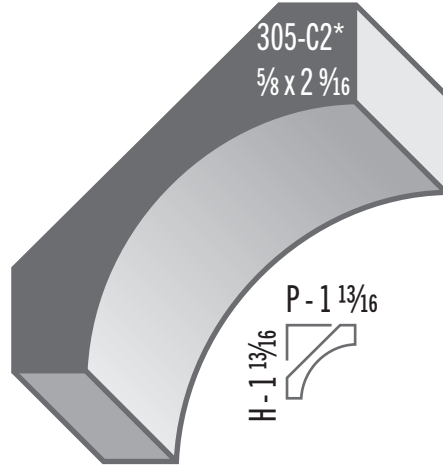
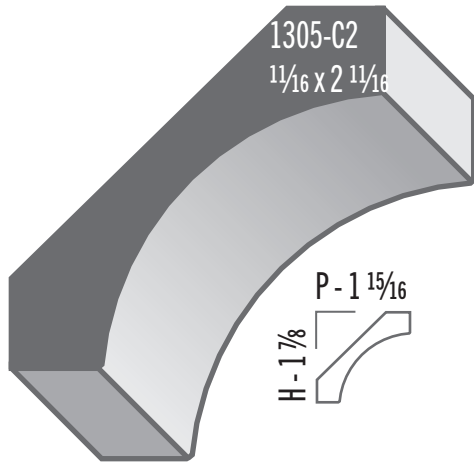
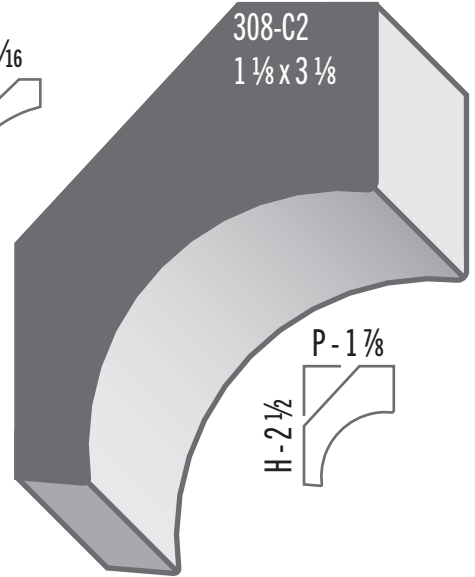
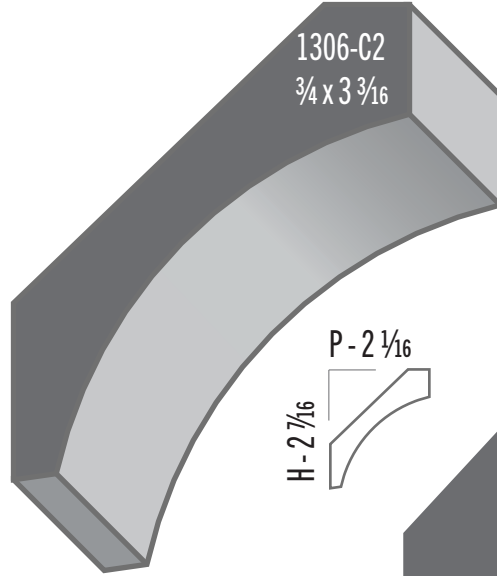
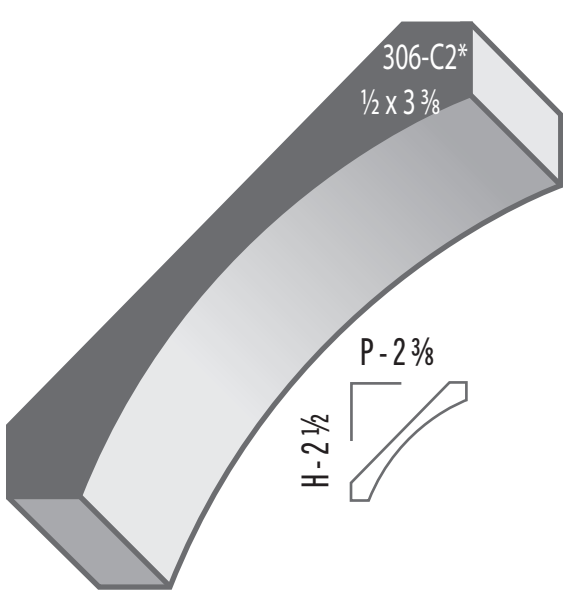
‡ Sample missing





‡ Sample missing







‡ Sample missing

