



Section F - Exterior Trim



McCOY MILLWORK

Custom Shop Services

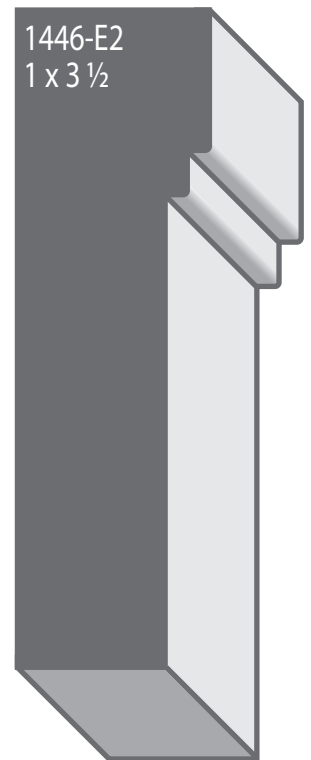
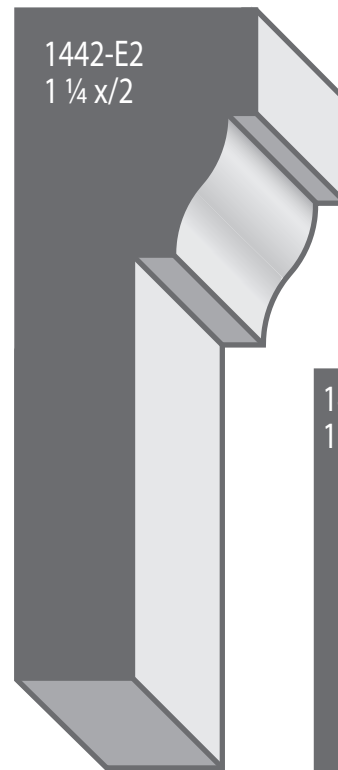
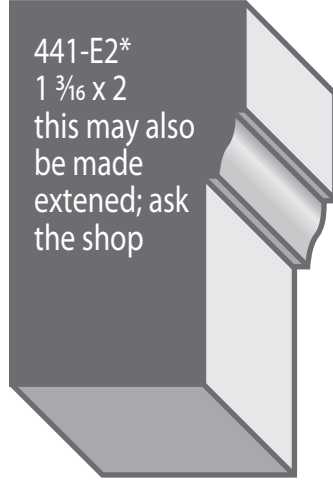
For custom profiles pricing is determined by the chosen species of wood and quantity. Provide the following:

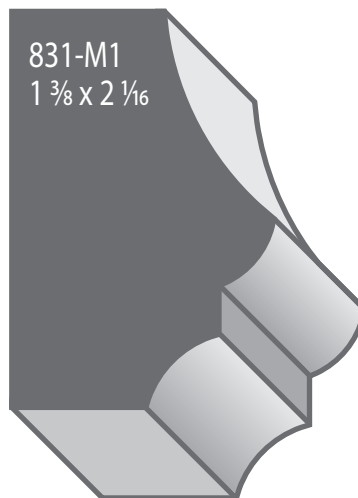
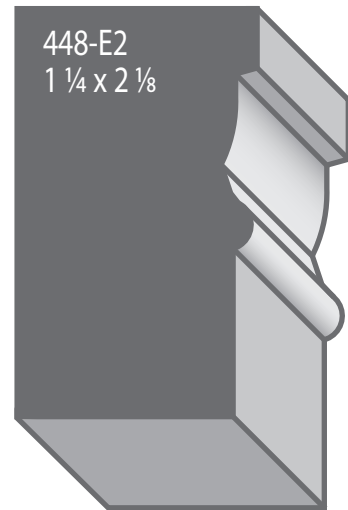
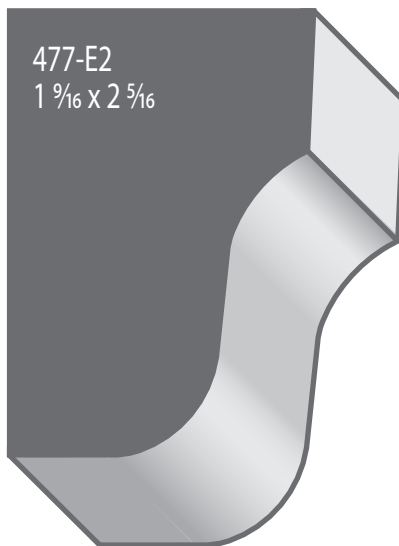
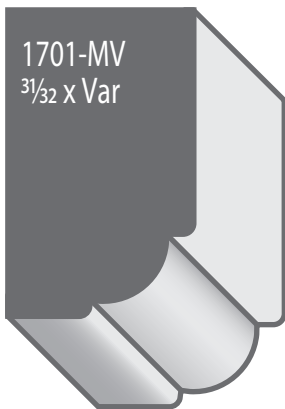
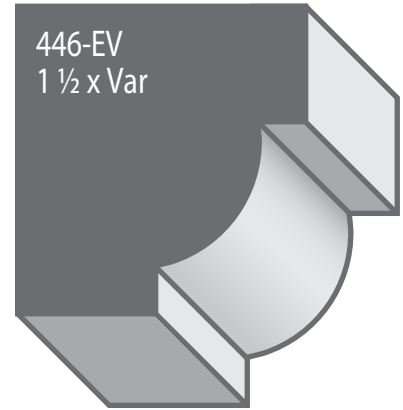
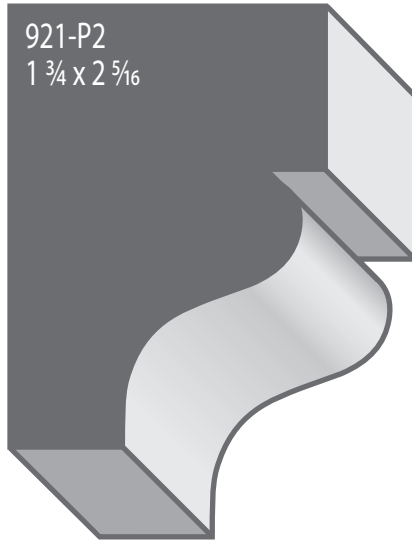
1. A sample or scale drawing of the profile.
2. Amount of moulding needed in Lineal Feet.
3. Preferred species of wood.
4. Preferred final finish (paint or stain).

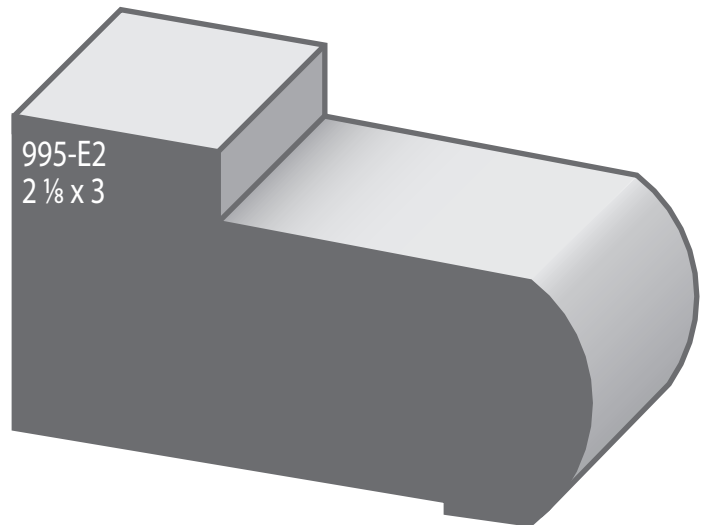
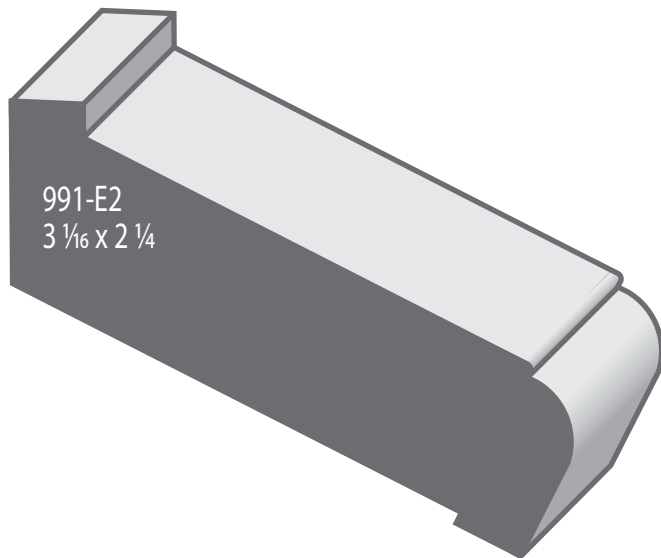
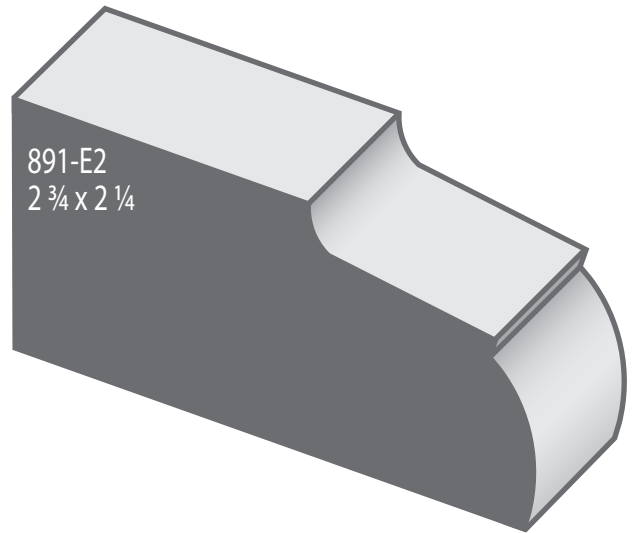
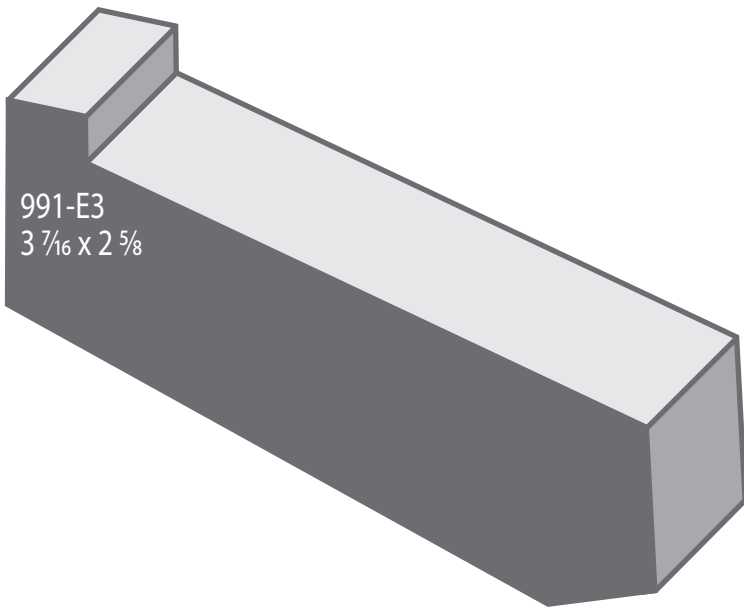
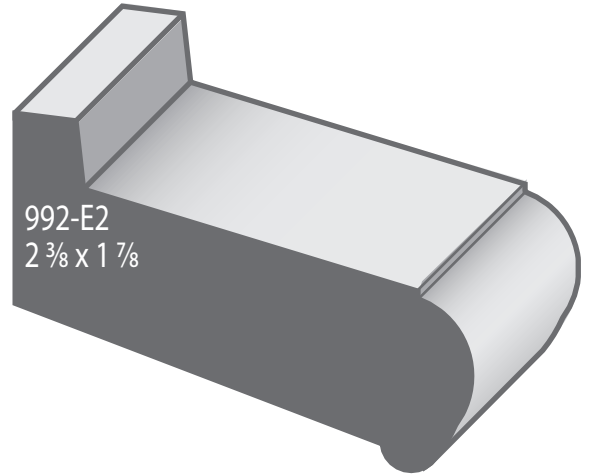
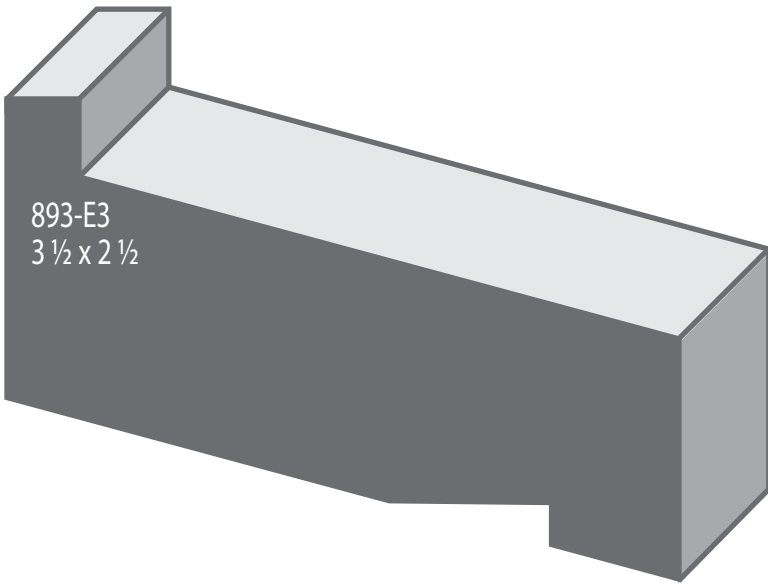
Send us your information via email or come in for a quote. You can expect to hear from us regarding pricing in 2 days.

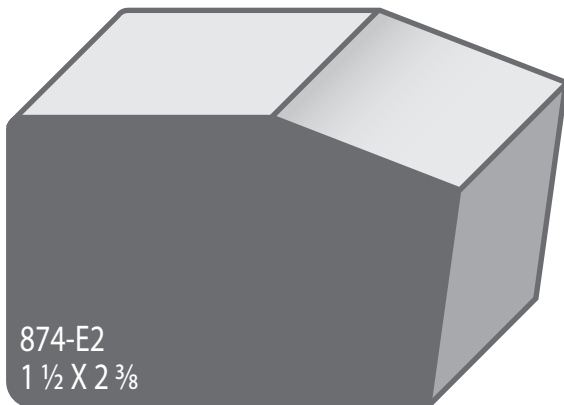
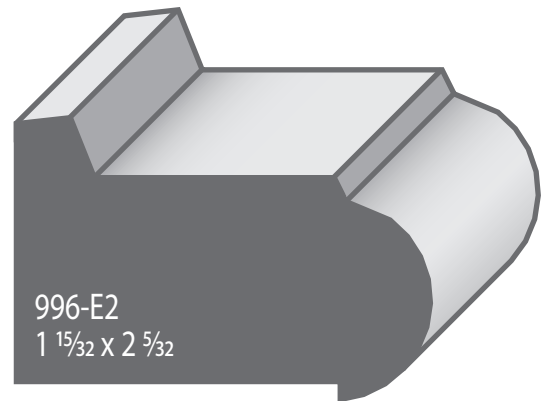
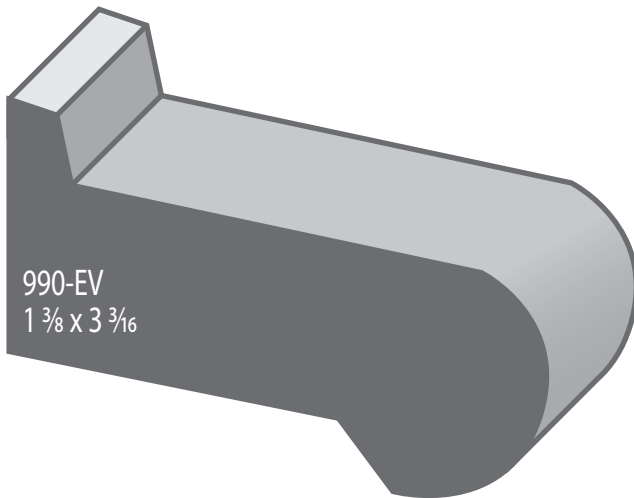
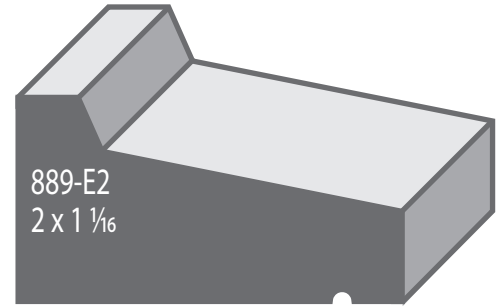
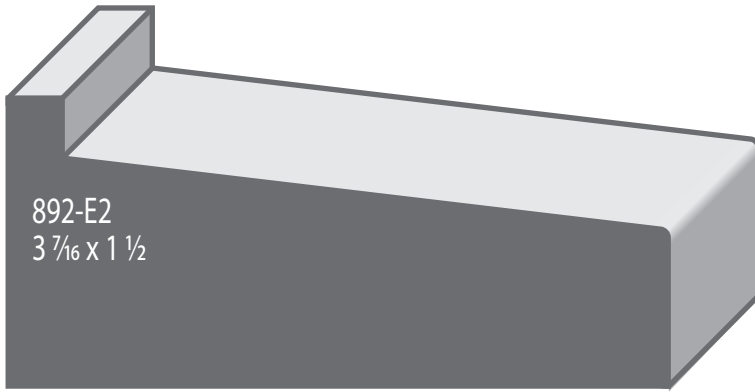
Manufacturing time varies: 2 days-2 weeks.

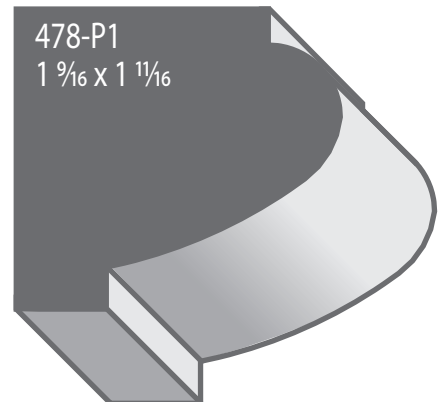
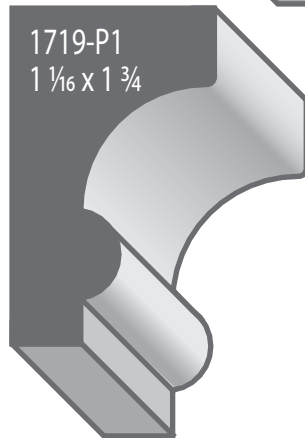
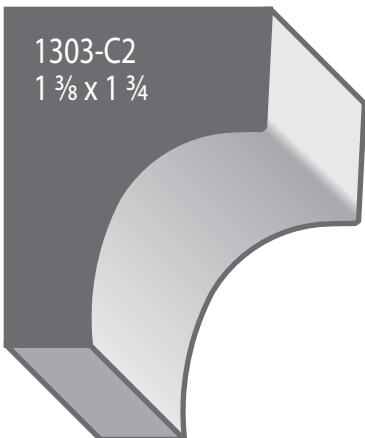
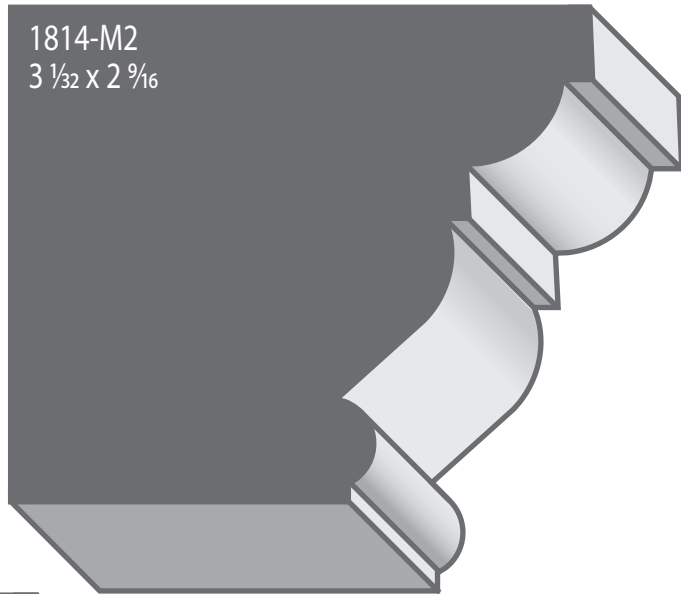
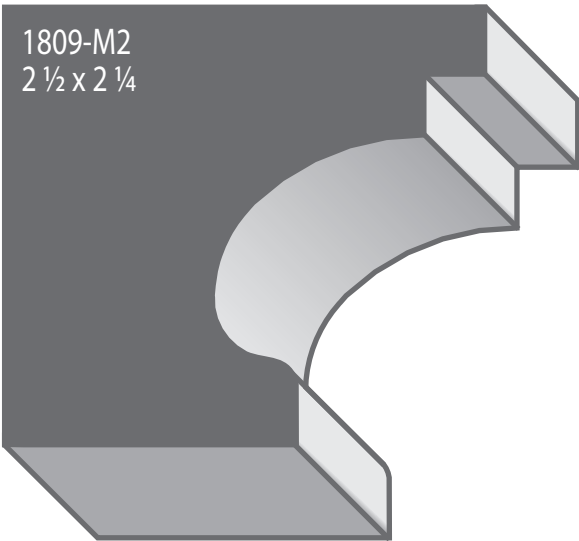
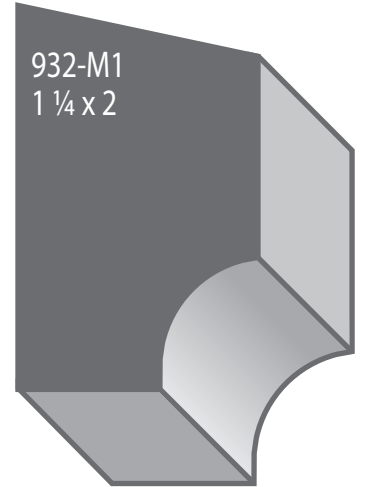
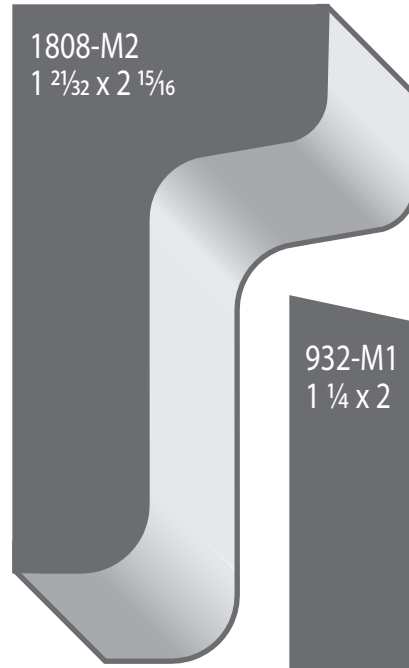
Profile #	Pg #	Profile #	Pg #	Profile #	Pg #	Profile #	Pg #
327-M1 Quarter Round	136	1447 E2 Brick Mould	131				
352-E2 Exterior Corner Mld	139	1448 E2 Misc/Brick Mould	131				
441-E2* Brick Mould	130	1500 C2 Crown/Brick Mould		LG-SLV Shiplap	138		
442-E2* Brick Mould	130		135				
443-E2 Brick Mould	131	1701 MV Brick Mould	131				
446-EV Brick Mould	131	1719 P1 Misc Moulding	134				
447-E2 Brick Mould	130	1800-MV Exterior	134				
448 E2 Brick Mould	131	1801-M2 Exterior	134				
449 E2 Brick Mould	130	1802-M2 Exterior	136				
450 E2 Brick Mould	130	1803-M2 Exterior	136				
477 E2 Brick Mould	131	1806-M2 Misc Moulding	135				
478 P1 Misc Mould	134	1807-M4 Misc Moulding	135				
763 M1 Misc	136	1808-M2 Ext Apron	134				
831 M1 Misc/Brick Mould	131	1809-M2 Misc Mould	134				
874 E2 Sill	133	1812-MV Misc Cove	135				
889 E2 Water Table	133	1814-M2 Misc Exterior	134				
891 E2 Water Table	132						
892 E2 Water Table	133						
893 E3 Water Table	132						
921-P2 Shake Mould	131						
932 M1 Exterior	134						
973 MV Nosing	136						
975 MV Nosing	136						
976 MV Nosing	136						
990 EV Water Table	133						
991 E2 Water Table	132						
991 E3 Water Table	132						
992 E2 Water Table	132						
995 E2 Water Table	132						
996 E2 Water Table	133						
1299 L2 Lintel	135						
1303 C2 Cove	134						
1442 E2 Shake Mould	130						
1443 E2 Brick mould	130						
1445 E2 Brick Mould	130						
1446 E2 Brick Mould	130						













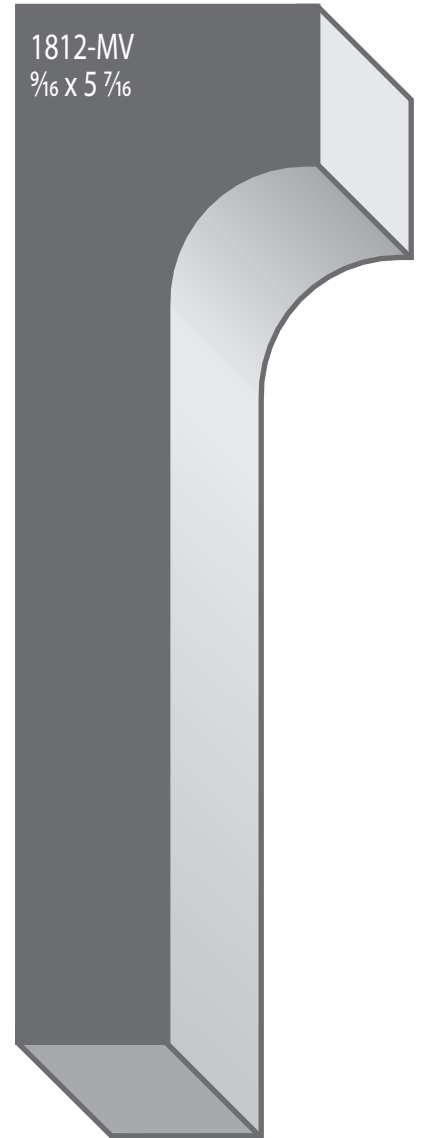
1807-M4
2 x 4 ¹⁵/₁₆



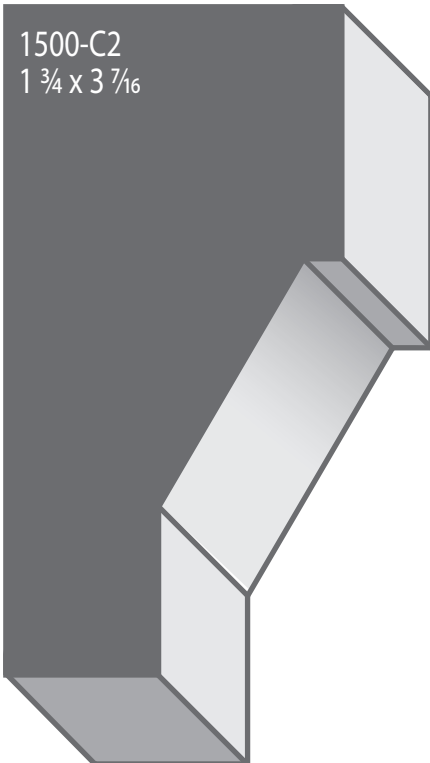
1806-M2
1 ¹¹/₁₆ x 3 ⁹/₁₆



1812-MV
⁹/₁₆ x 5 ⁷/₁₆



1500-C2
1 ³/₄ x 3 ⁷/₁₆



1299-L2
2 ⁷/₁₆ x 1 ²¹/₃₂

