



Section F - Exterior Trim



McCOY MILLWORK

Custom Shop Services

For custom profiles pricing is determined by the chosen species of wood and quantity. Provide the following:

1. A sample or scale drawing of the profile.
2. Amount of moulding needed in Lineal Feet.
3. Preferred species of wood.
4. Preferred final finish (paint or stain).

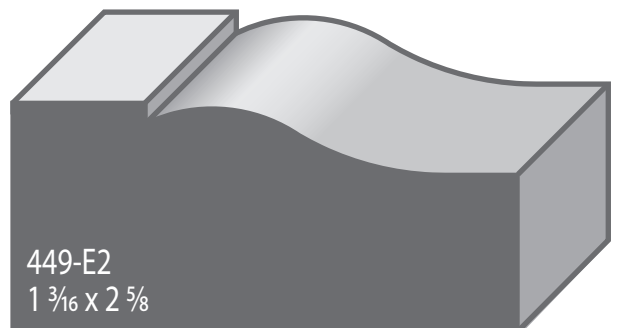
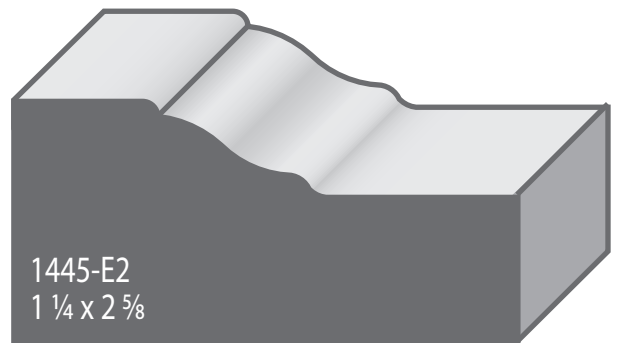
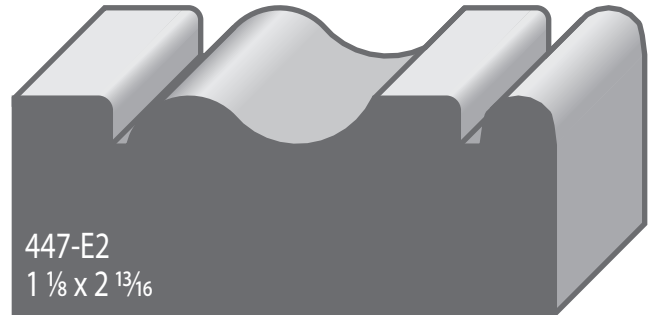
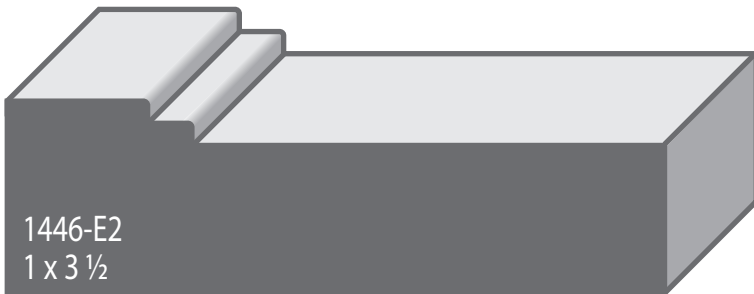
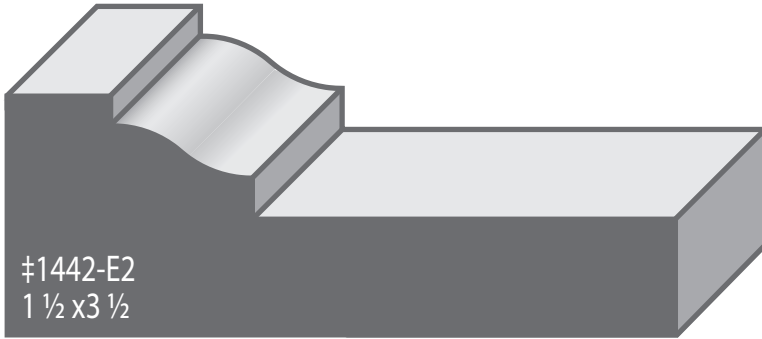
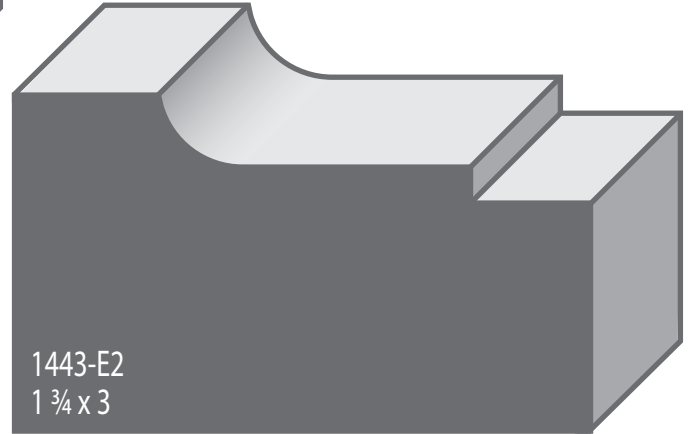
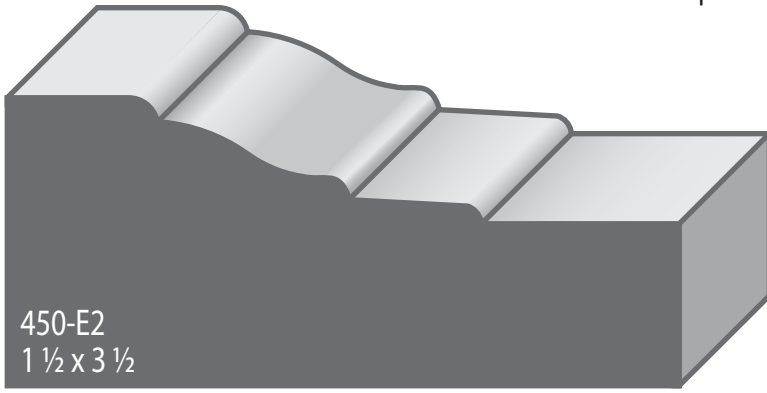
Send us your information via email or come in for a quote. You can expect to hear from us regarding pricing in 2 days.

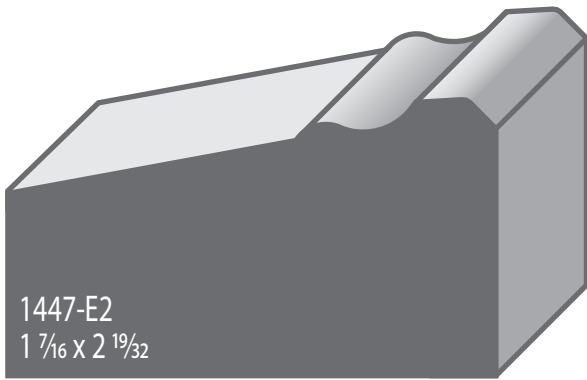
Manufacturing time varies: 2 days-2 weeks.

Profile #	Pg #	Profile #	Pg #	Profile #	Pg #	Profile #	Pg #
327-M1 Quarter Round	155	1500 C2 Crown/Brick Mould	153				
329-M2 Qtr Round	155	1719 P1 Misc Moulding	154				
352-E2 Exterior Corner Mld	159	1800-MV Exterior	153	CH2-SL5 Shiplap	158		
439-E2V Brick Mould	152	1801-M2 Exterior	153	CH3-SLV Shiplap	157		
441-E2* Brick Mould	149	1802-M2 Exterior	154	CH4-SLV Siding	157		
442-E2* Brick Mould	149	1806-M2 Misc Moulding	153	CH5-SLV Siding	157		
443-E2 Brick Mould	149	1807-M4 Misc Moulding	153	CH6-SL5 Shiplap	159		
445-E2* Shake Mould	149	1808-M2 Ext Apron	152	CH7-SL4 Shiplap	158		
446-EV Brick Mould	153	1809-M2 Misc Mould	152	CHL-SLV Siding	159		
447-E2 Brick Mould	148	1812-MV Misc Cove	152	CH-SLV Shiplap	157		
448 E2 Brick Mould	149	1814-M2 Misc Exterior	152				
449 E2 Brick Mould	148	2236-E2 Brick Mould	148				
450 E2 Brick Mould	148	2401-TG4 Siding	158	FLT2-SL2 Siding Detail	159		
477 E2 Brick Mould	149	2446-E1 Ovolo	155	FLT-SL2 Siding Detail	159		
763 M1 Misc	154	2719-P1 Panel Mould	154				
831 M1 Misc/Brick Mould	149	2805-E2 Misc trim	153				
874 E2 Sill	151	2816-E2 Brick Mould	148				
889 E2 Water Table	151	2892-E2 Water Table	151				
891 E2 Water Table	150	2930-M1 Drip Cap	151				
892 E2 Water Table	151	2992-E2 Sill	150				
893 E3 Water Table	150	2994-E2 Water Table	151				
921-P2 Shake Mould	149	6800-HR3 Porch rail	156				
‡ 932-M1 Misc Ext	152	6801-HR4 Porch rail	156				
990 EV* Water Table	151						
‡ 991 E2 Water Table	150						
991 E3 Water Table	150						
992 E2 Water Table	150						
995 E2 Water Table	150						
996 E2 Water Table	151						
1299 L2 Lintel	152						
1303 C2 Cove	154						
‡ 1442 E2 Shake Mould	148						
1443 E2 Brick mould	148						
1445 E2 Brick Mould	148						
1446 E2 Brick Mould	148						
1447 E2 Brick Mould	149						
1448 E2 Misc/Brick Mould	149						



‡ Sample missing

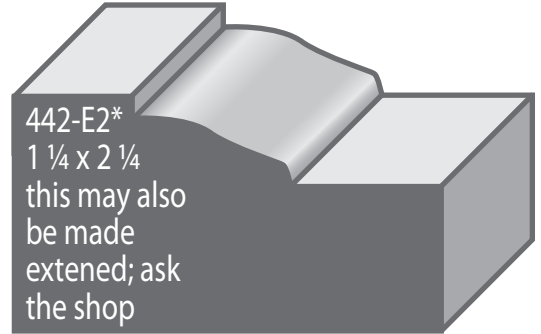




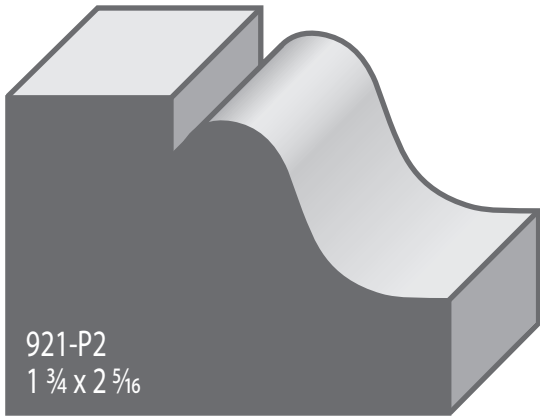
1447-E2
1 7/16 X 2 19/32



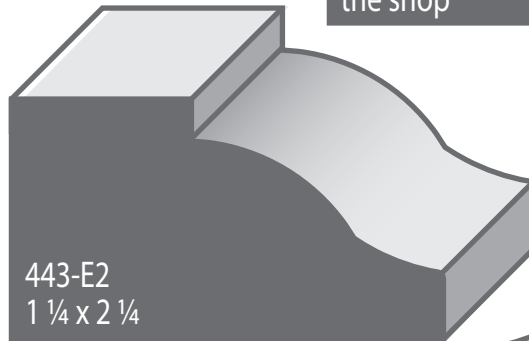
1448-E2
7/8 X 2 1/4



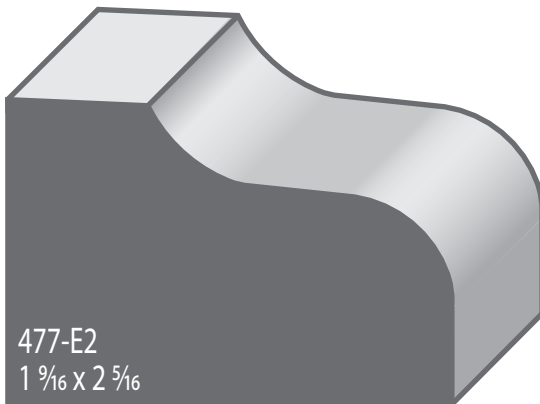
442-E2*
1 1/4 X 2 1/4
this may also
be made
extened; ask
the shop



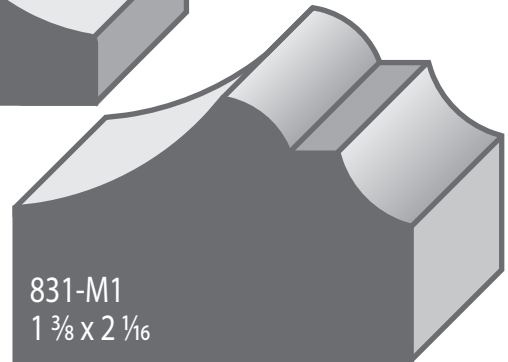
921-P2
1 3/4 X 2 5/16



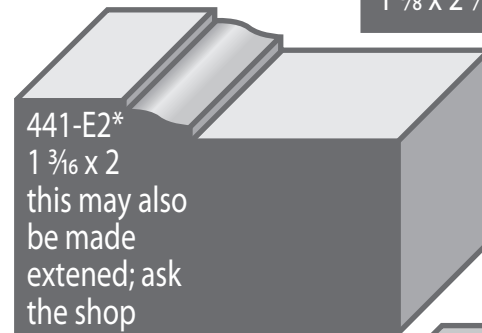
443-E2
1 1/4 X 2 1/4



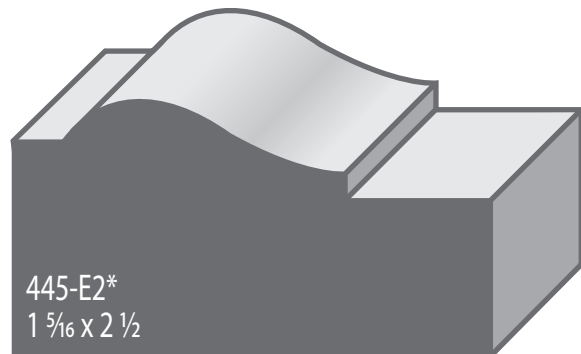
477-E2
1 9/16 X 2 5/16



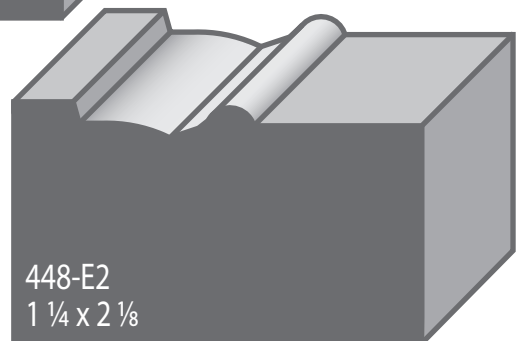
831-M1
1 3/8 X 2 1/16



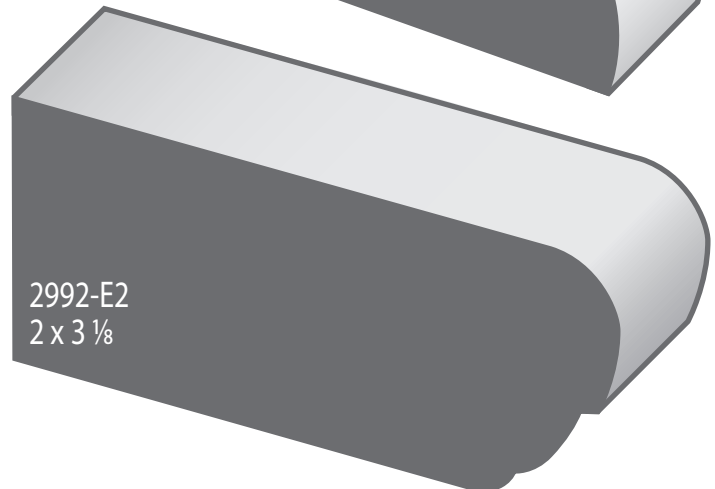
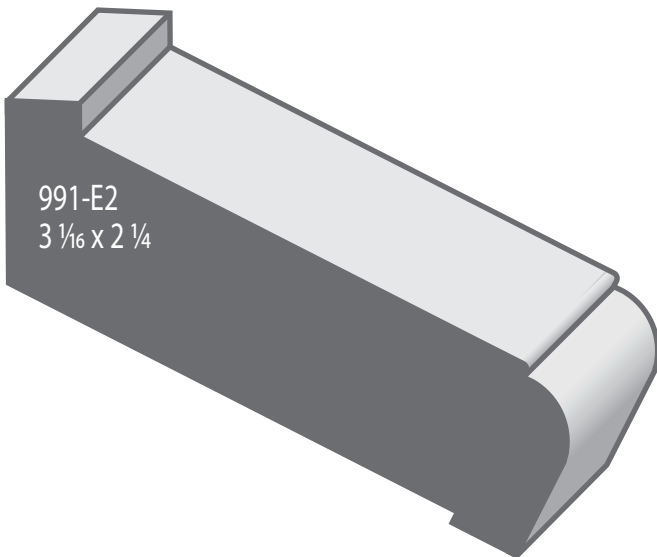
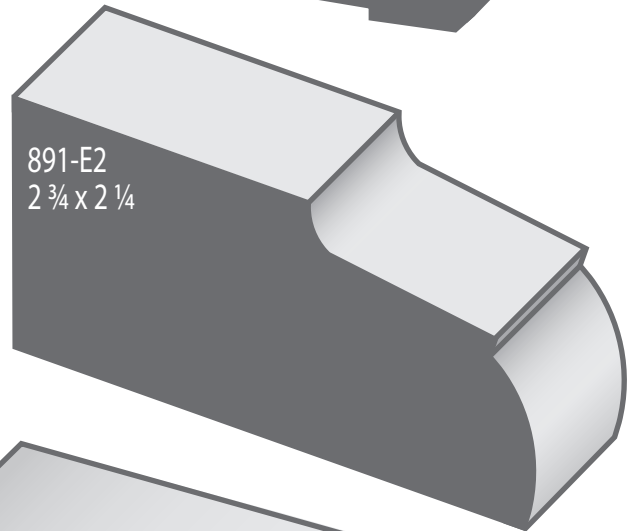
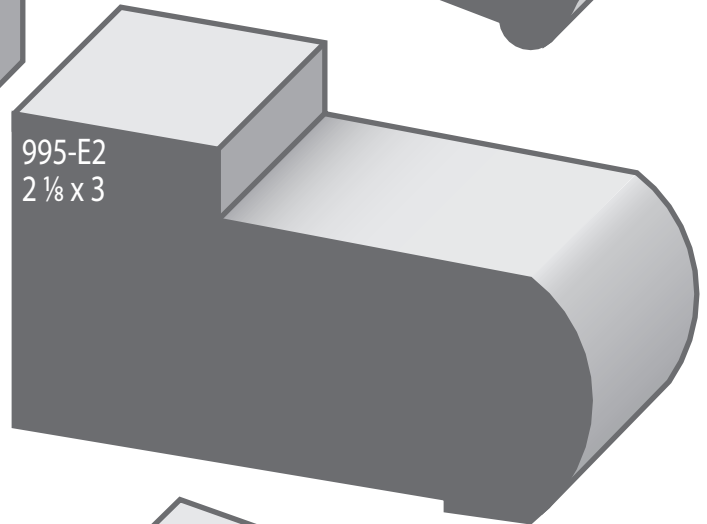
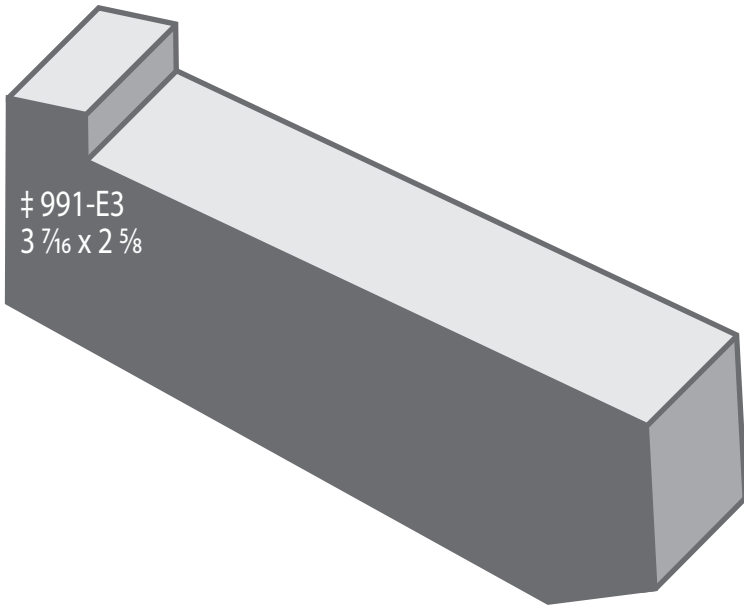
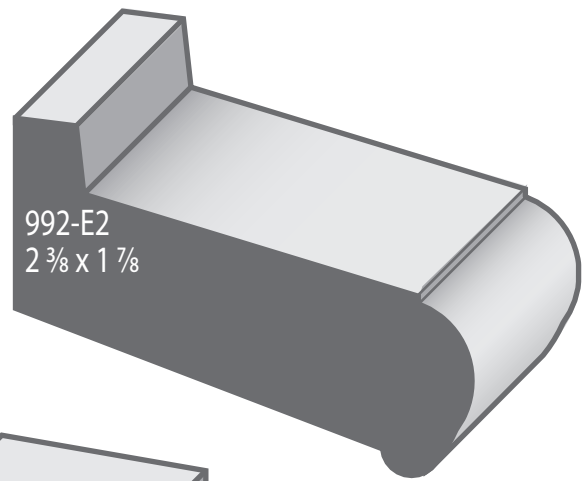
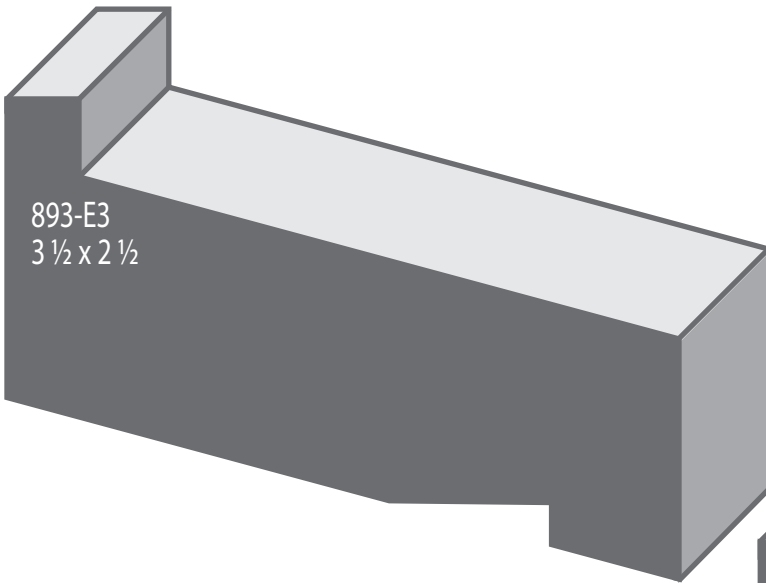
441-E2*
1 3/16 X 2
this may also
be made
extened; ask
the shop

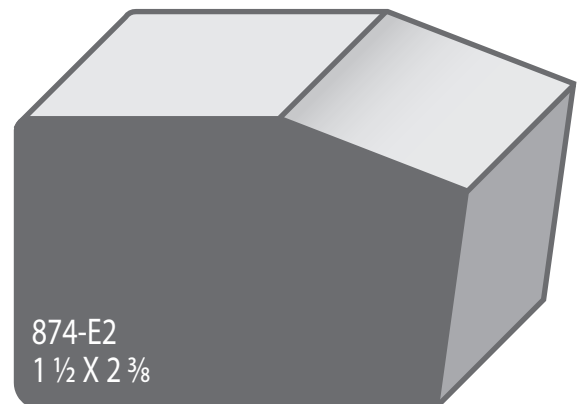
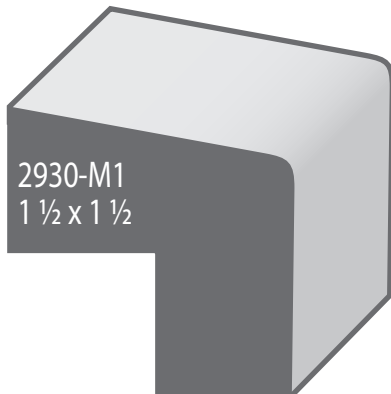
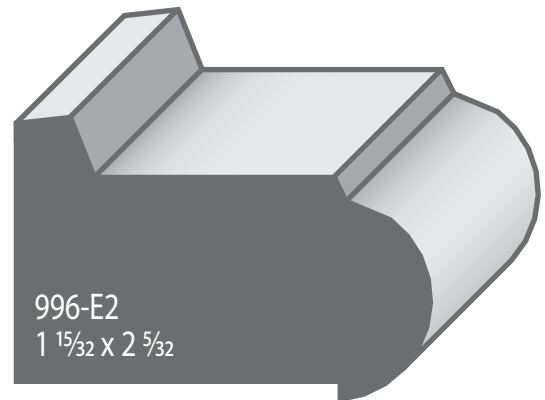
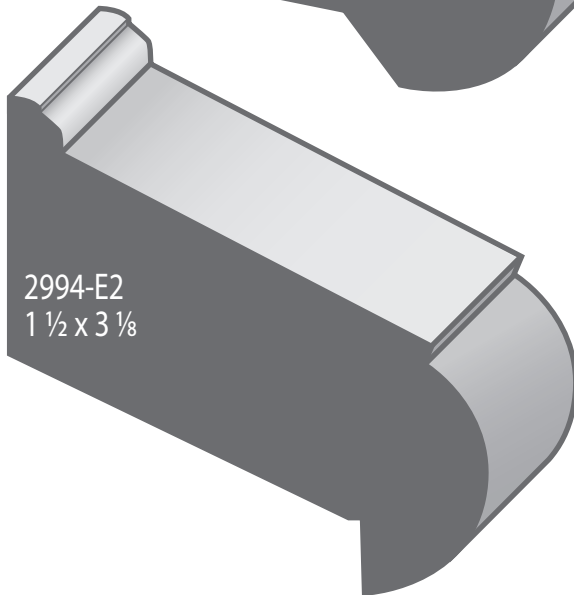
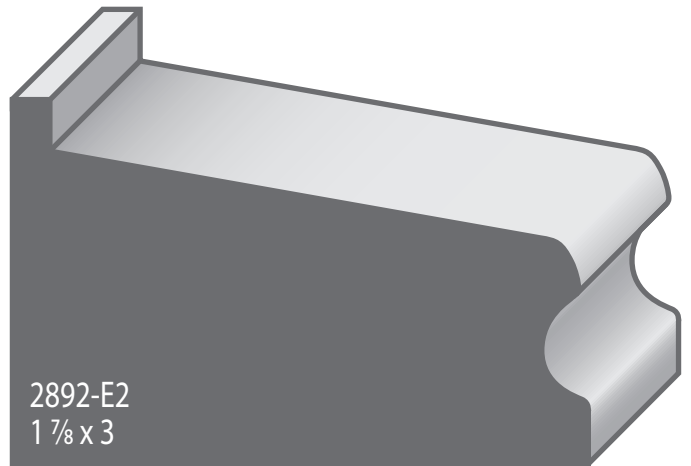
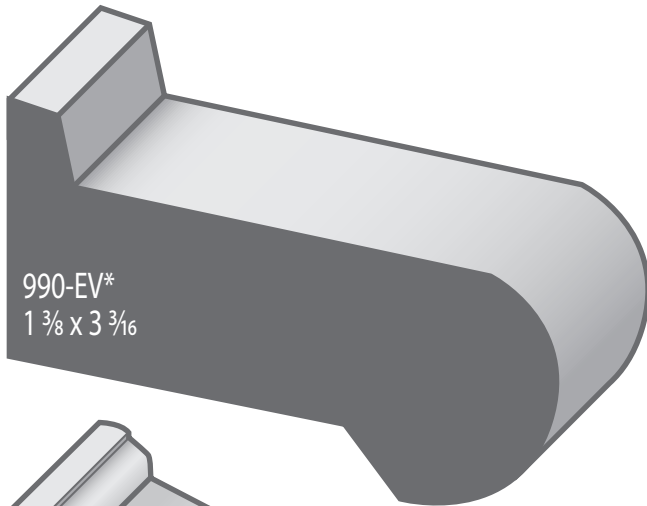
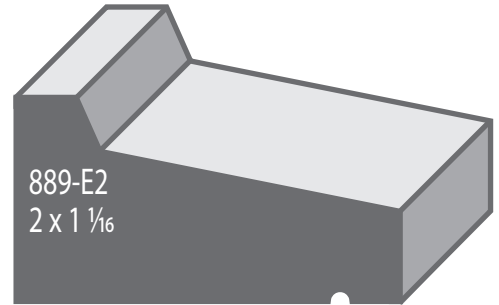
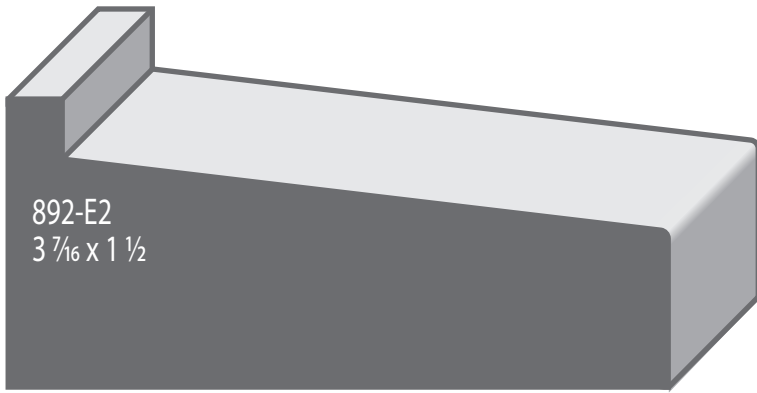


445-E2*
1 5/16 X 2 1/2



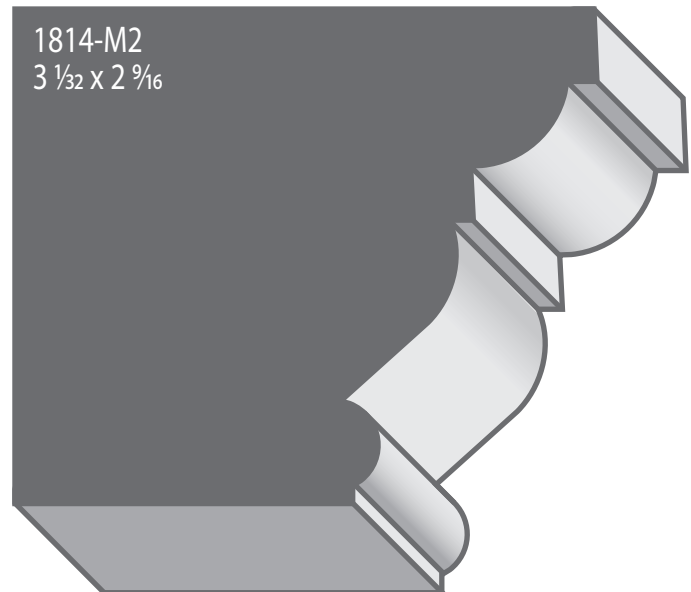
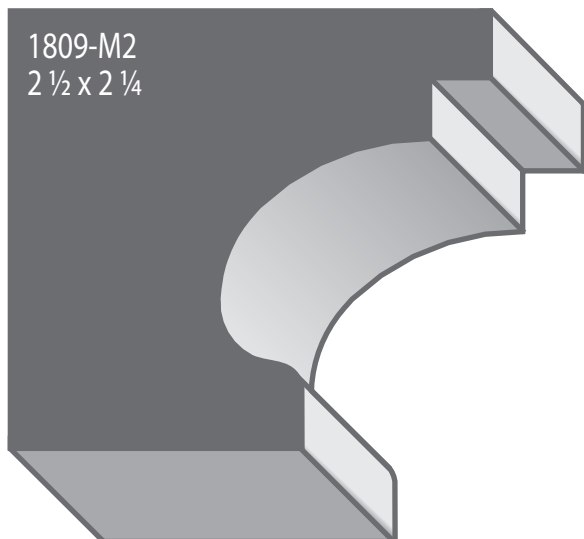
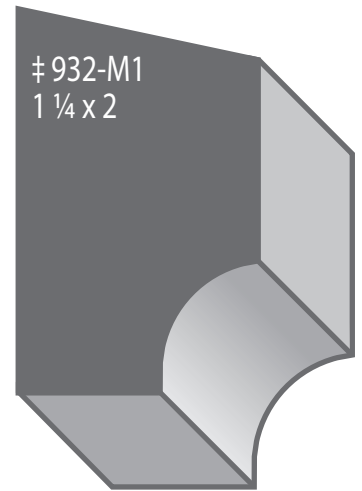
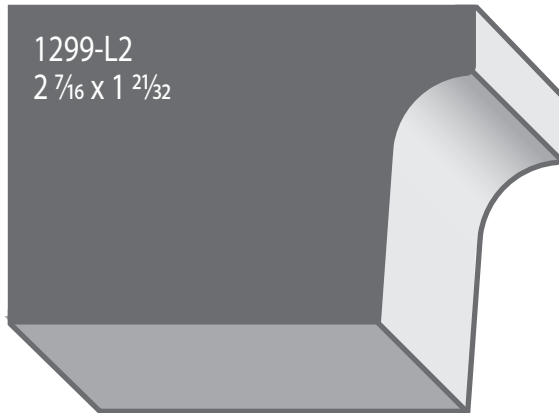
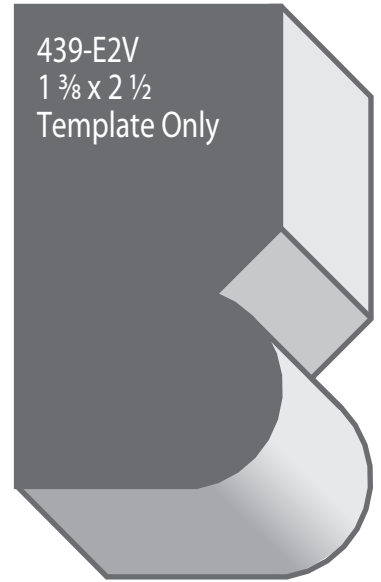
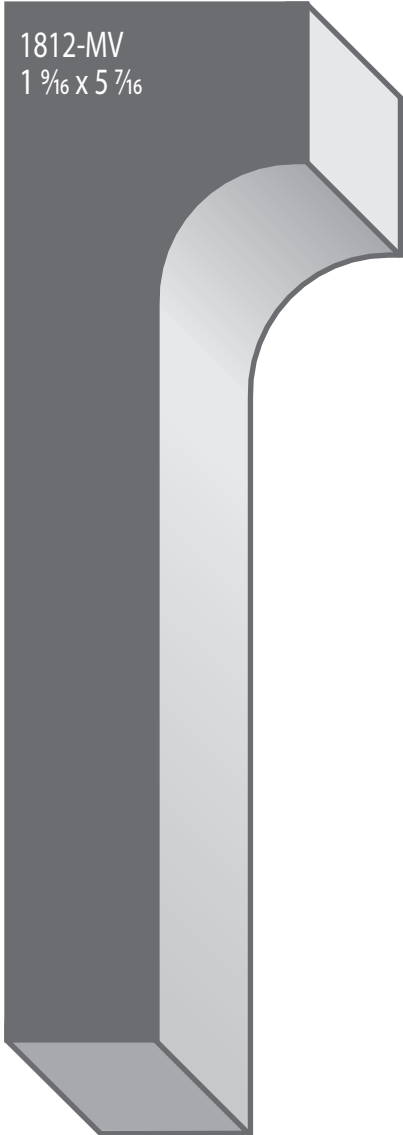
448-E2
1 1/4 X 2 1/8







‡ Sample missing





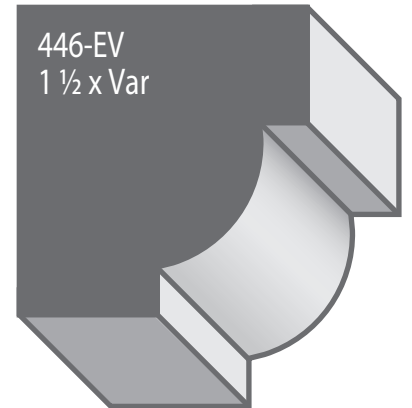
1807-M4
2 x 4 15/16



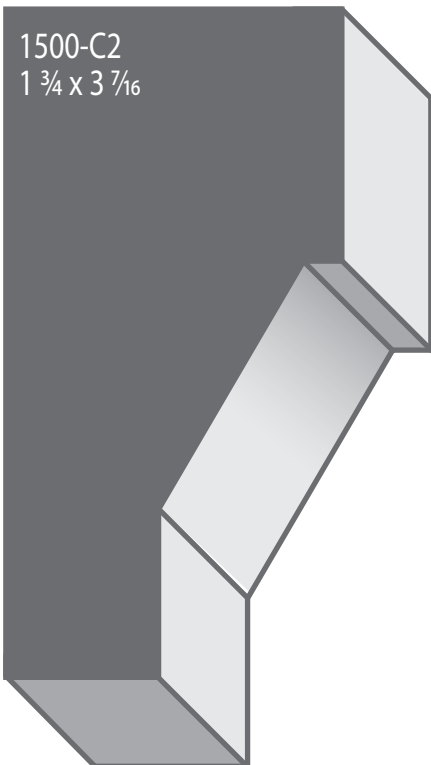
1806-M2
1 11/16 x 3 9/16



1800-MV
1 1/16 x Var



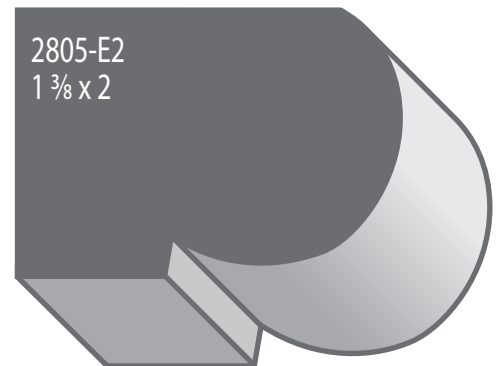
446-EV
1 1/2 x Var



1500-C2
1 3/4 x 3 7/16



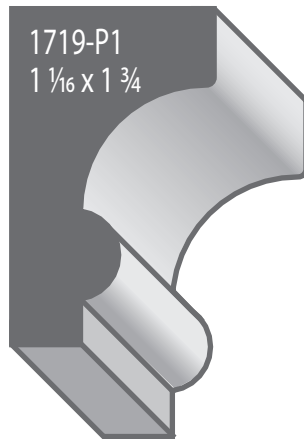
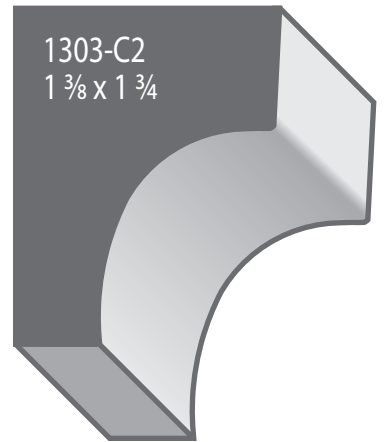
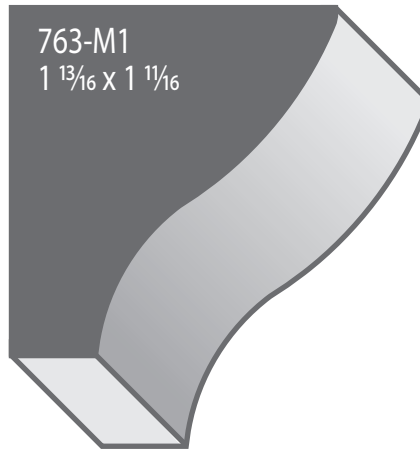
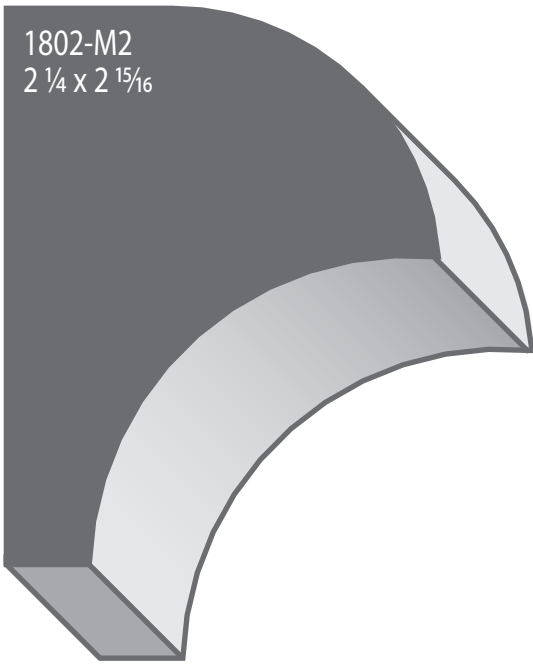
1801-M2
1 1/2 x 3 1/2



2805-E2
1 3/8 x 2

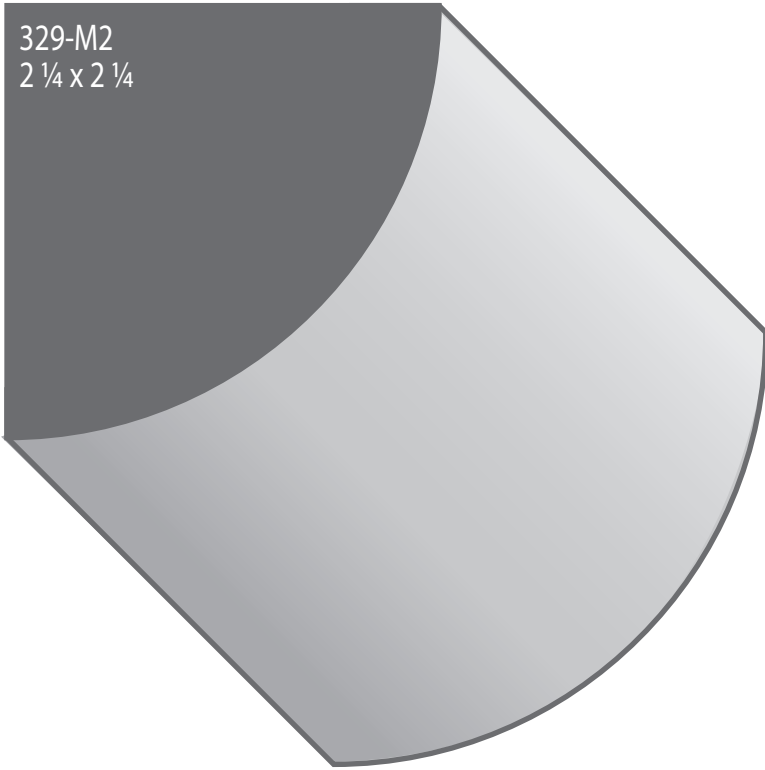


‡ Sample missing

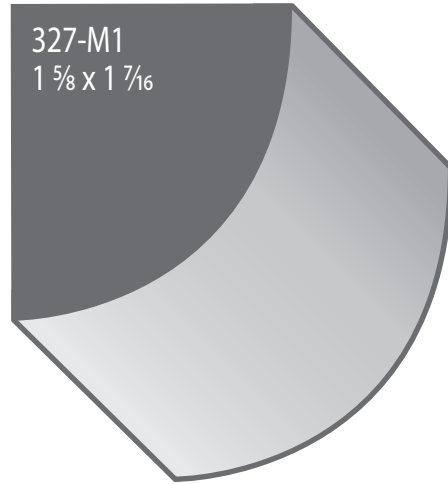




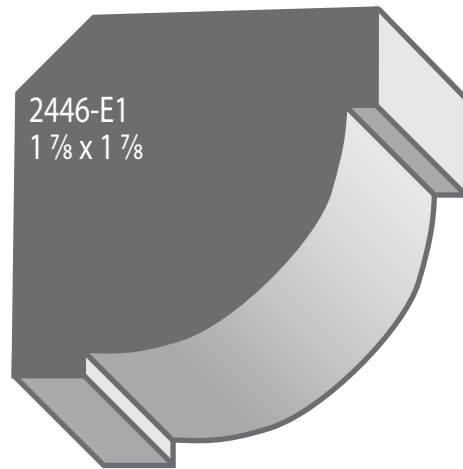
329-M2
2 1/4 x 2 1/4

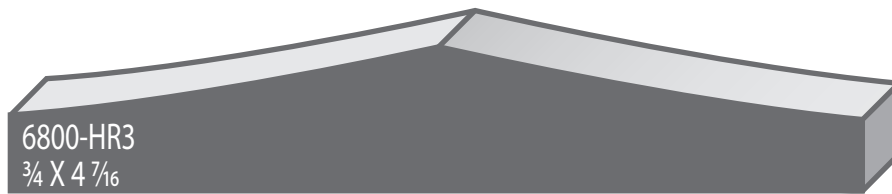
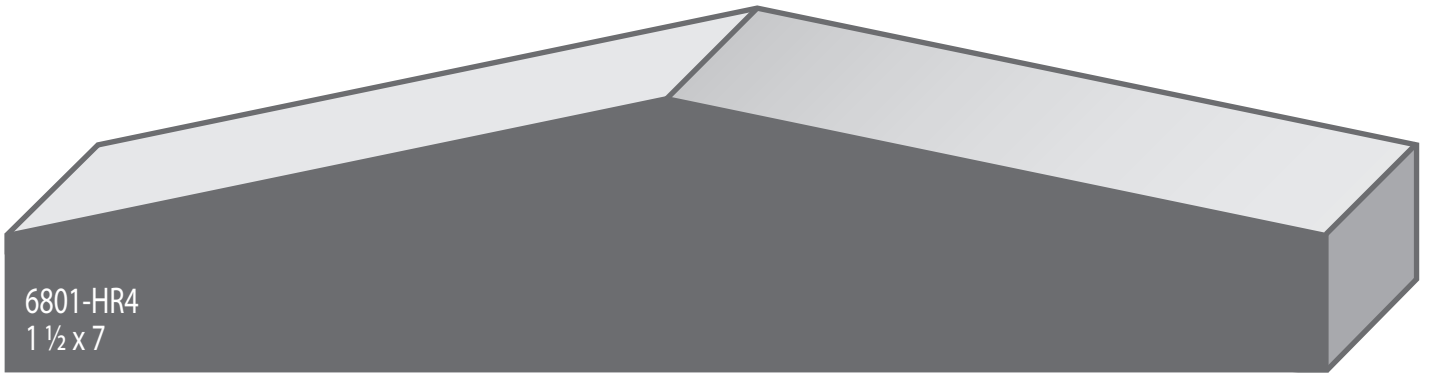


327-M1
1 5/8 x 1 7/16



2446-E1
1 7/8 x 1 7/8





SIDING

