



Section F - Exterior Trim



McCOY MILLWORK

Custom Shop Services

For custom profiles pricing is determined by the chosen species of wood and quantity. Provide the following:

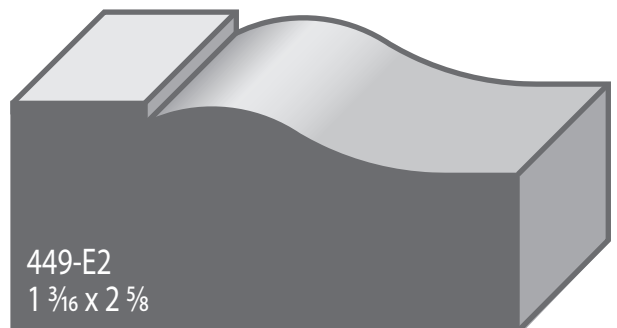
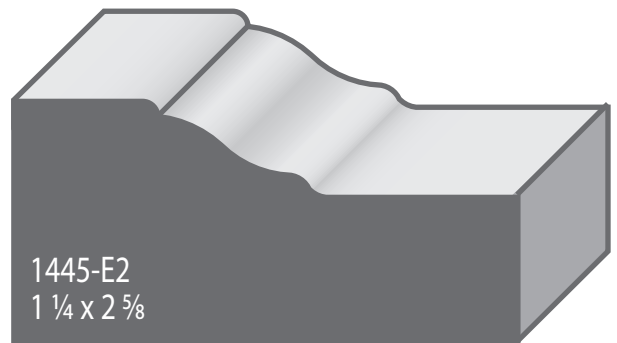
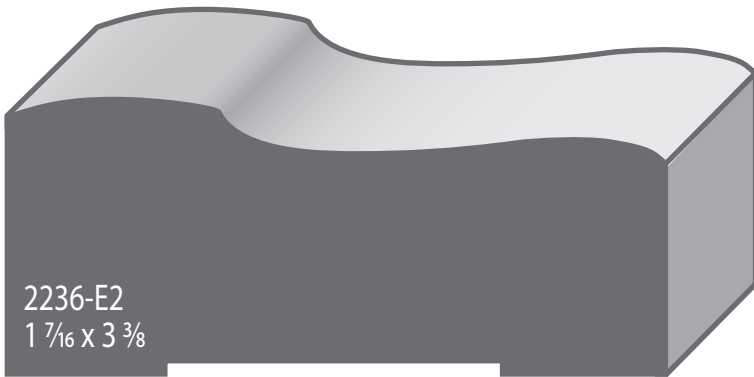
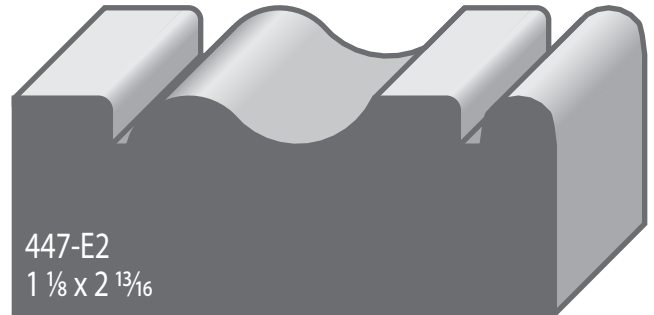
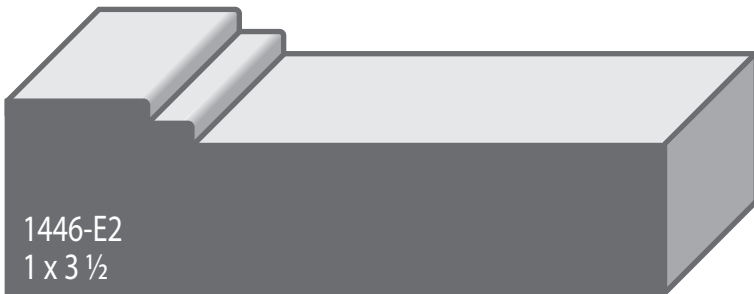
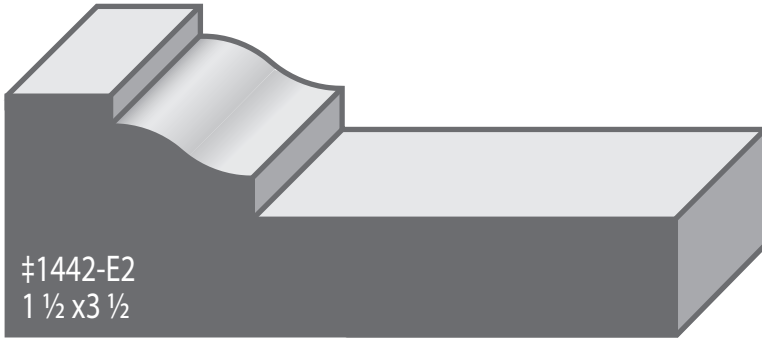
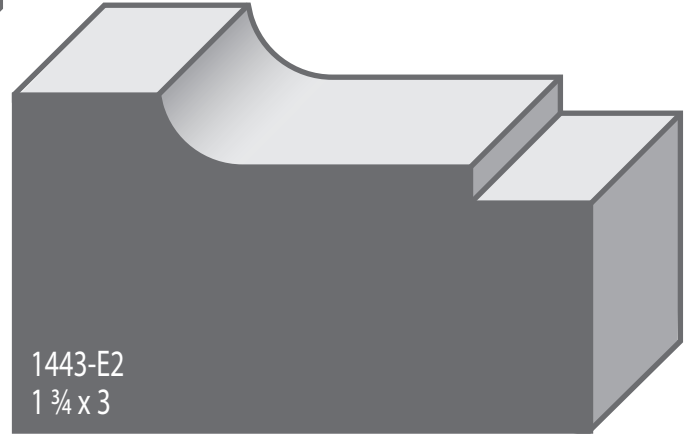
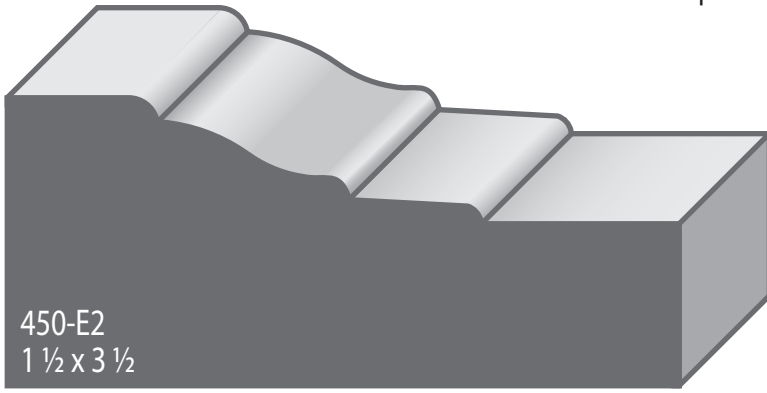
1. A sample or scale drawing of the profile.
2. Amount of moulding needed in Lineal Feet.
3. Preferred species of wood.
4. Preferred final finish (paint or stain).

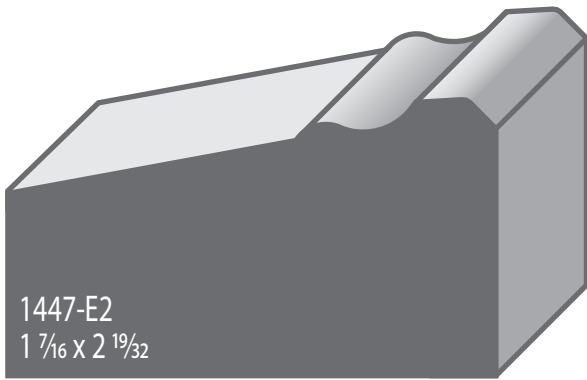
Send us your information via email or come in for a quote. You can expect to hear from us regarding pricing in 2 days.

Manufacturing time varies: 2 days-2 weeks.

Profile #	Pg #	Profile #	Pg #	Profile #	Pg #	Profile #	Pg #
327-M1 Quarter Round	160	1500 C2 Crown/Brick Mould	158				
329-M2 Qtr Round	160	1719 P1 Misc Moulding	159				
352-E2 Exterior Corner Mld	164	1800-MV Exterior	158	CH2-SL5 Shiplap	163		
439-E2V Brick Mould	157	1801-M2 Exterior	158	CH3-SLV Shiplap	162		
441-E2* Brick Mould	154	1802-M2 Exterior	159	CH4-SLV Siding	162		
442-E2* Brick Mould	154	1806-M2 Misc Moulding	158	CH5-SLV Siding	162		
443-E2 Brick Mould	154	1807-M4 Misc Moulding	158	CH6-SL5 Shiplap	164		
445-E2* Shake Mould	154	1808-M2 Ext Apron	157	CH7-SL4 Shiplap	163		
446-EV Brick Mould	159	1809-M2 Misc Mould	157	CHL-SLV Siding	164		
447-E2 Brick Mould	153	1812-MV Misc Cove	157	CH-SLV Shiplap	162		
448 E2 Brick Mould	154	1814-M2 Misc Exterior	157				
449 E2 Brick Mould	153	2236-E2 Brick Mould	153				
450 E2 Brick Mould	153	2302-M1 Misc Cove	159	FLT2-SL2 Siding Detail	164		
477 E2 Brick Mould	154	2401-TG4 Siding	163	FLT-SL2 Siding Detail	164		
763 M1 Misc	159	2446-E1 Ovolo	160				
831 M1 Misc/Brick Mould	154	2719-P1 Panel Mould	159				
874 E2 Sill	156	2805-E2 Misc trim	159	LG-SLV Shiplap	163		
889 E2 Water Table	156	2816-E2 Brick Mould	153				
891 E2 Water Table	155	2892-E2 Water Table	156				
892 E2 Water Table	156	2930-M1 Drip Cap	156	RAD2-SLV Shiplap	161		
893 E3 Water Table	155	2935-M2 Crown/Misc	158	RAD-SLV Shiplap	161		
921-P2 Shake Mould	154	2992-E2 Sill	155	RD-SLV Beaded Siding	164		
‡ 932-M1 Misc Ext	157	2994-E2 Water Table	156				
990 EV* Water Table	156	6800-HR3 Porch rail	161				
‡ 991 E2 Water Table	155	6801-HR4 Porch rail	161				
991 E3 Water Table	155						
992 E2 Water Table	155						
995 E2 Water Table	155						
996 E2 Water Table	156						
1299 L2 Lintel	157						
1303 C2 Cove	159						
‡ 1442 E2 Shake Mould	153						
1443 E2 Brick mould	153						
1445 E2 Brick Mould	153						
1446 E2 Brick Mould	153						
1447 E2 Brick Mould	154						
1448 E2 Misc/Brick Mould	154						

‡ Sample missing

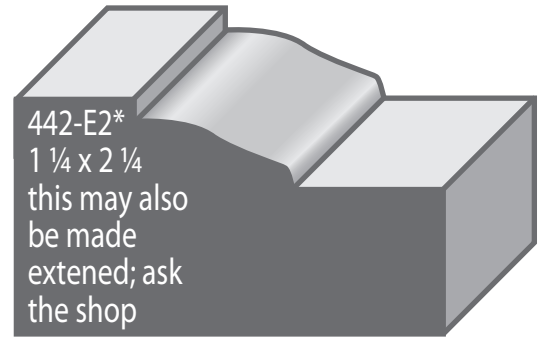




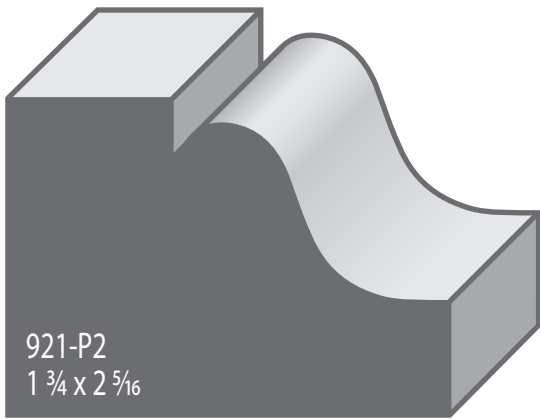
1447-E2
1 7/16 x 2 19/32



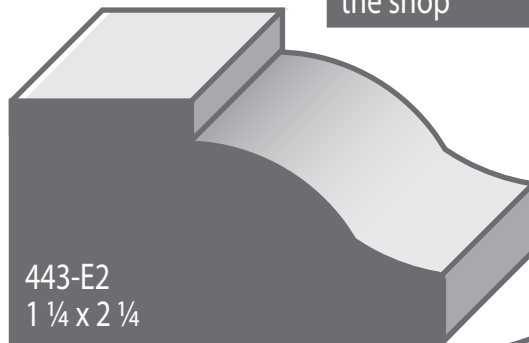
1448-E2
7/8 x 2 1/4



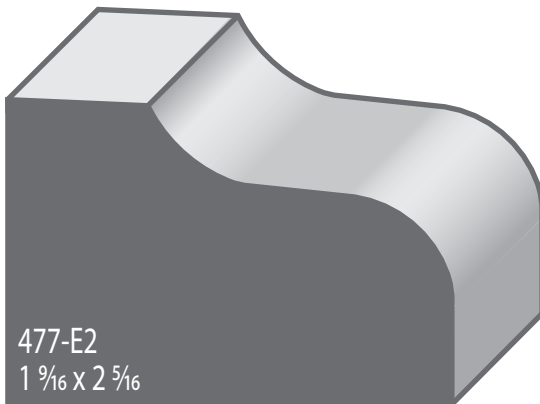
442-E2*
1 1/4 x 2 1/4
this may also
be made
extended; ask
the shop



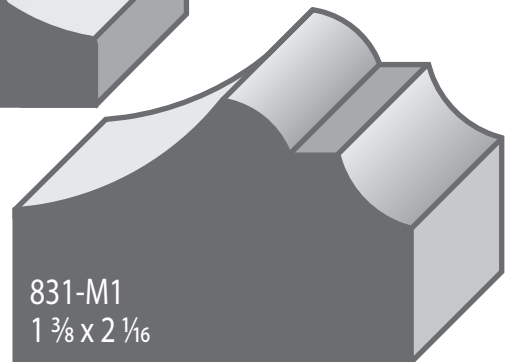
921-P2
1 3/4 x 2 5/16



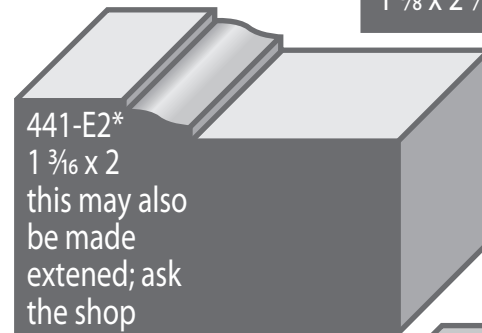
443-E2
1 1/4 x 2 1/4



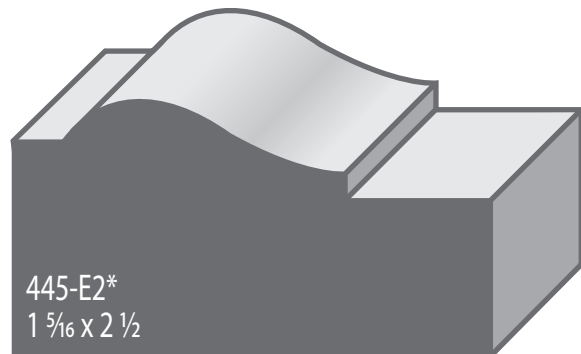
477-E2
1 9/16 x 2 5/16



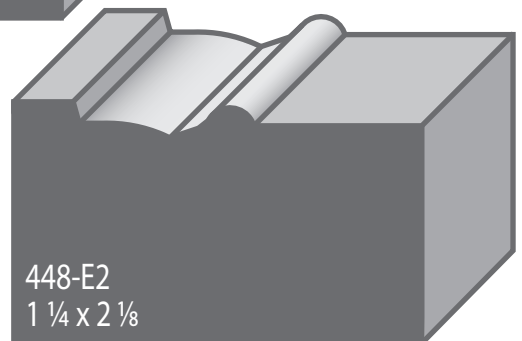
831-M1
1 3/8 x 2 1/16



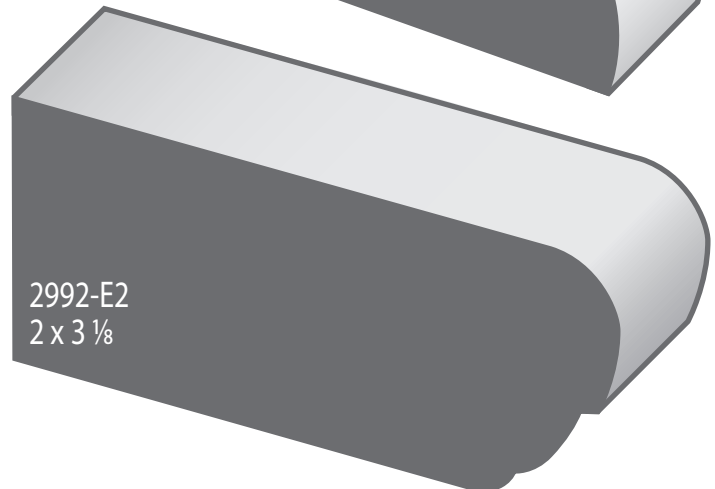
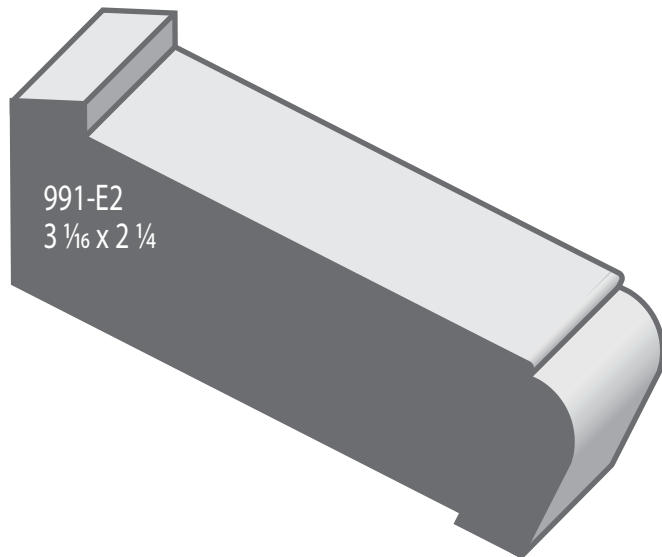
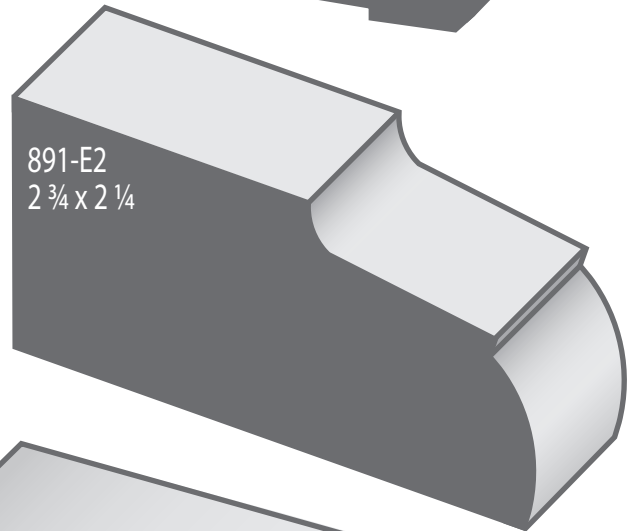
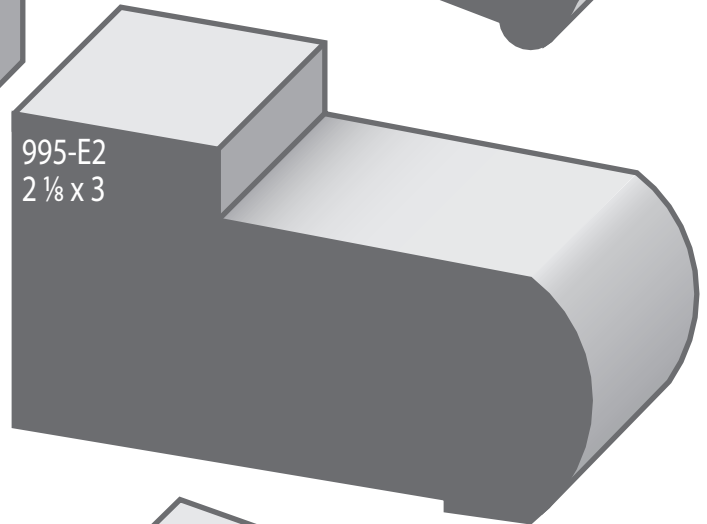
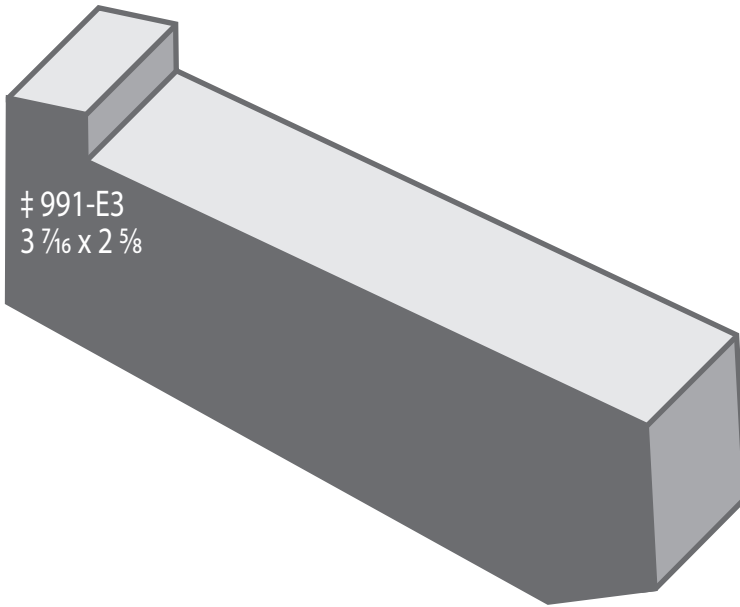
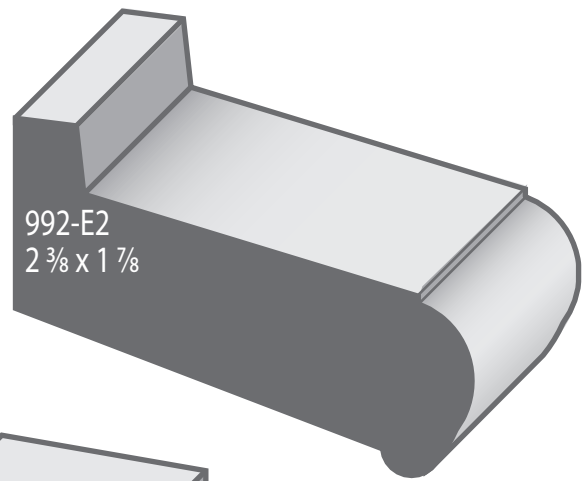
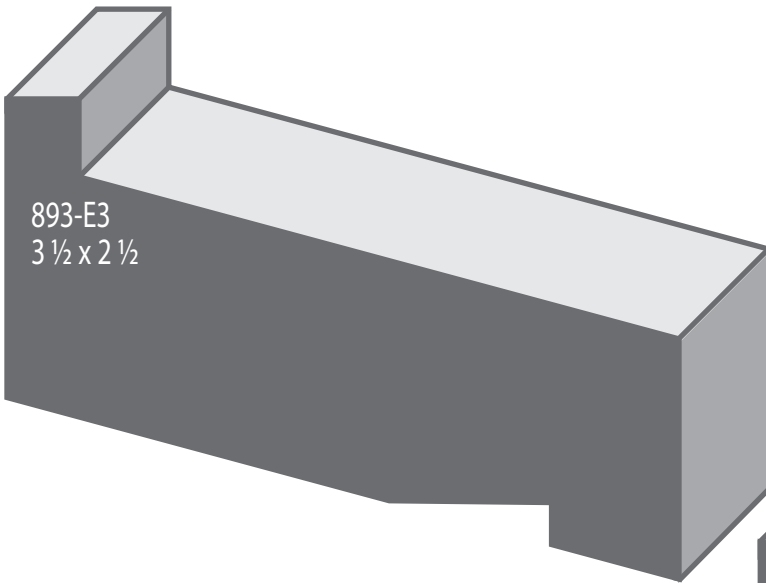
441-E2*
1 3/16 x 2
this may also
be made
extended; ask
the shop

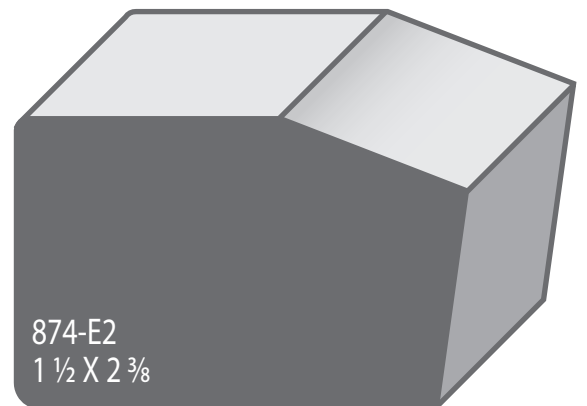
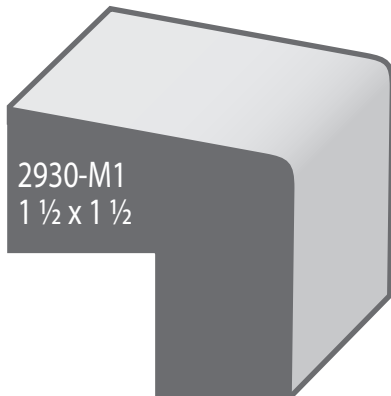
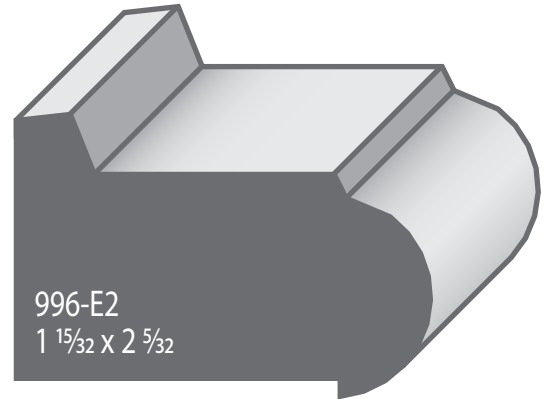
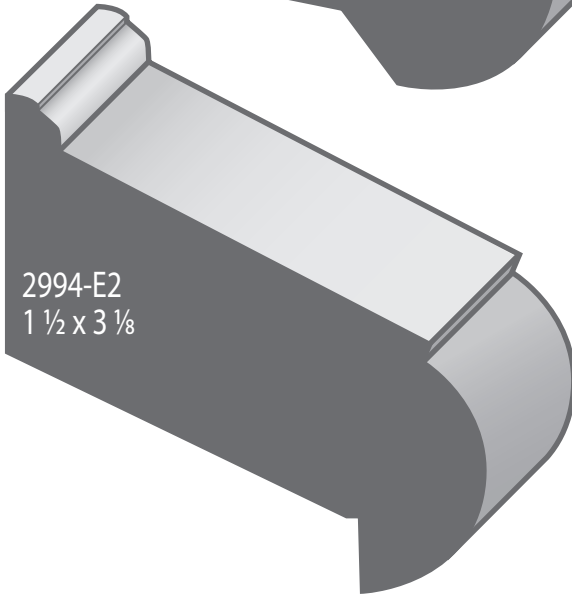
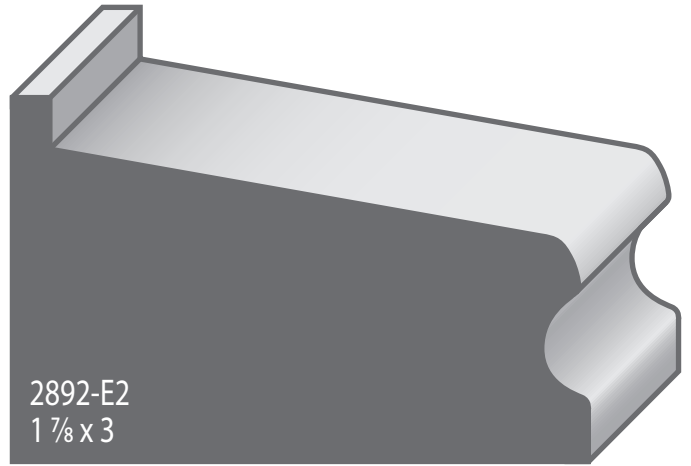
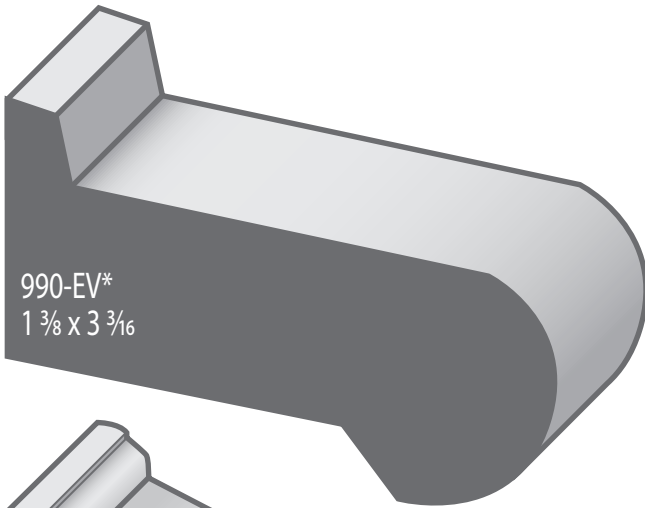
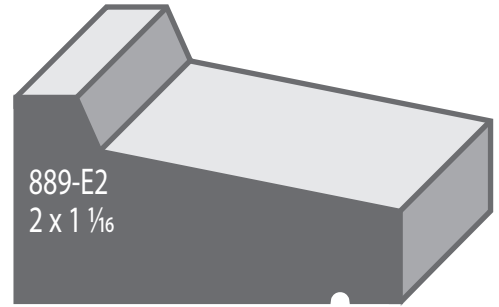
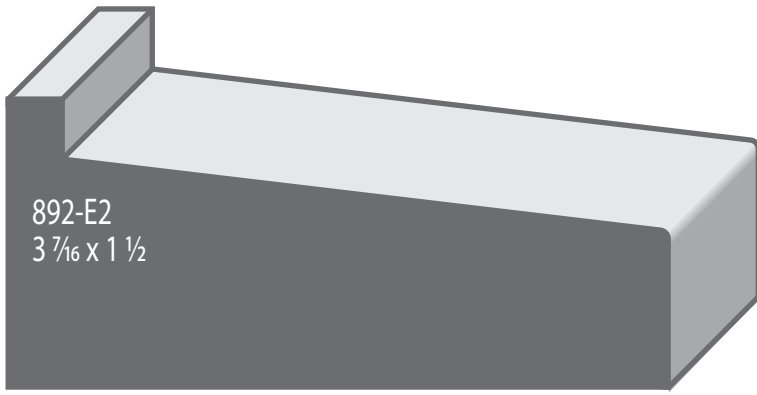


445-E2*
1 5/16 x 2 1/2



448-E2
1 1/4 x 2 1/8

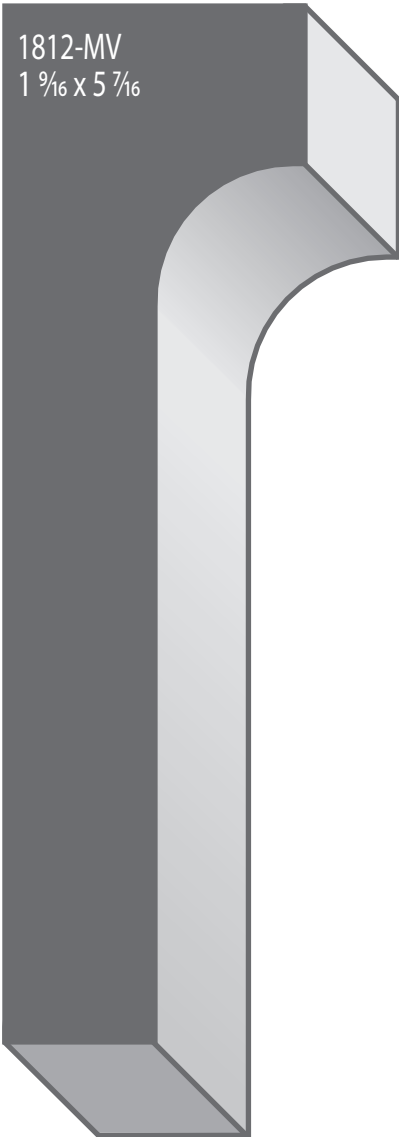






‡ Sample missing

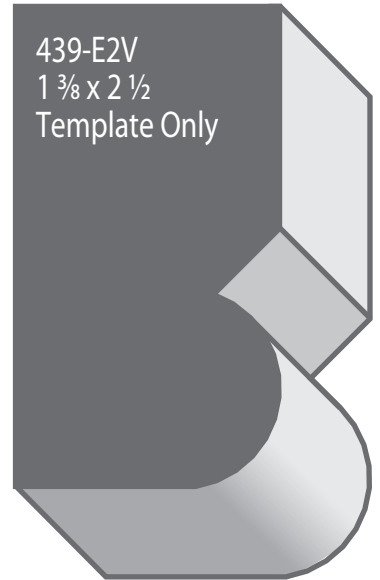
1812-MV
1 9/16 X 5 7/16



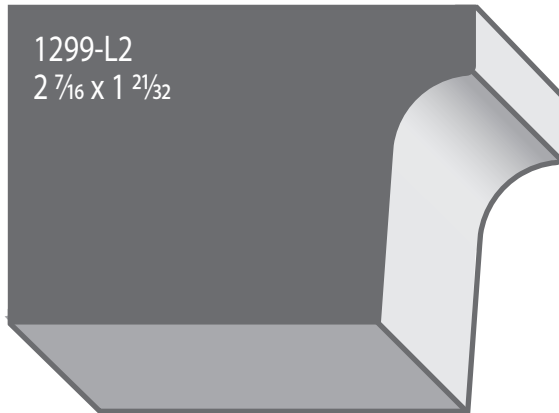
1808-M2
1 21/32 X 2 15/16



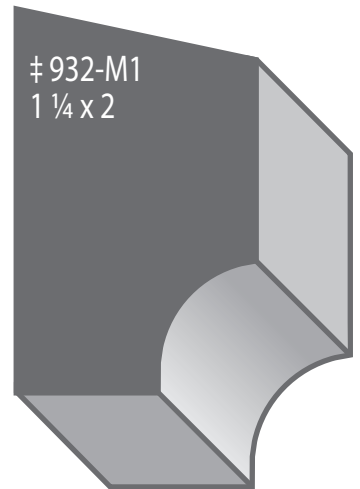
439-E2V
1 3/8 X 2 1/2
Template Only



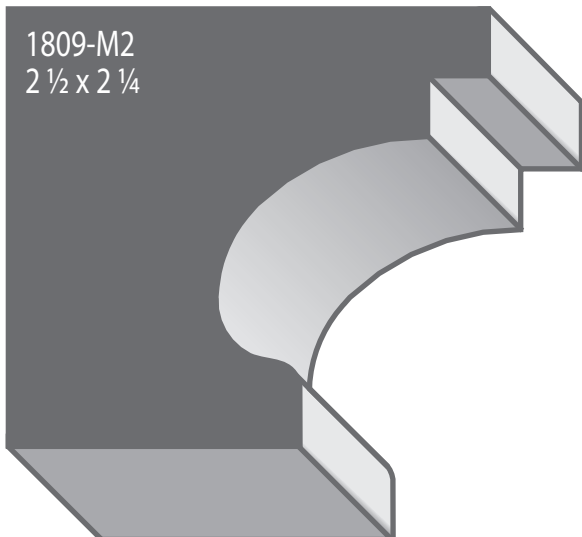
1299-L2
2 7/16 X 1 21/32



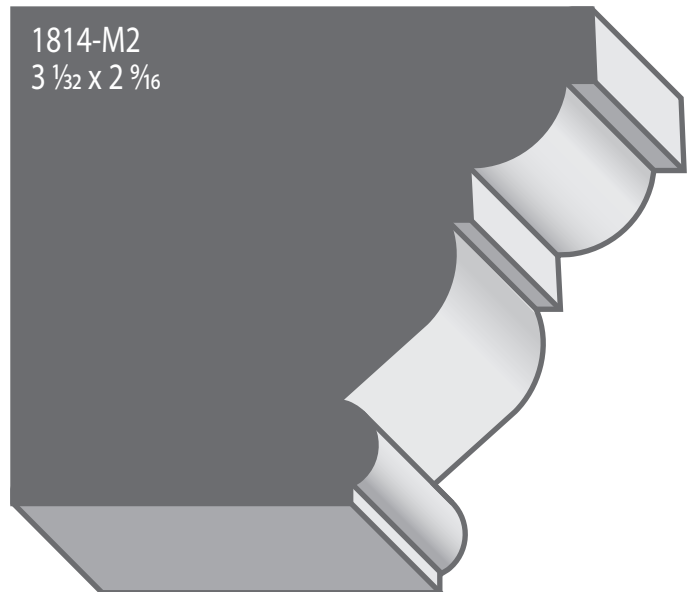
‡ 932-M1
1 1/4 X 2

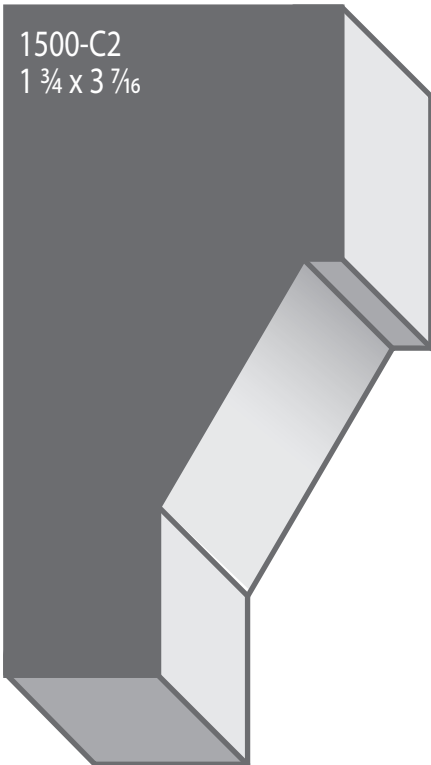


1809-M2
2 1/2 X 2 1/4



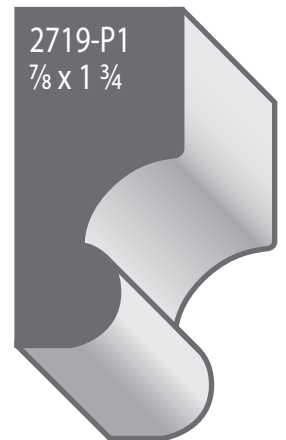
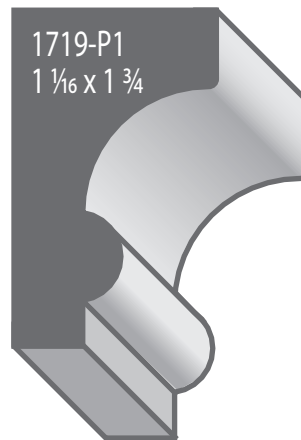
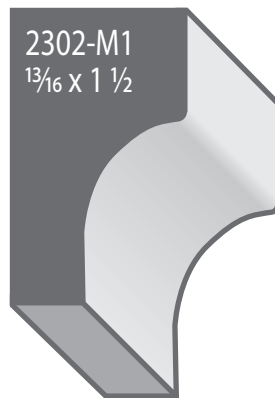
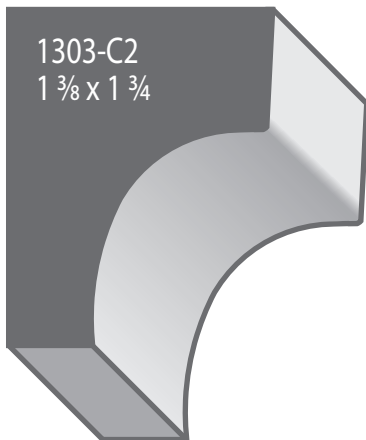
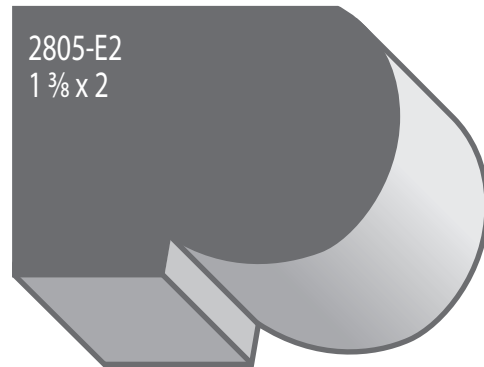
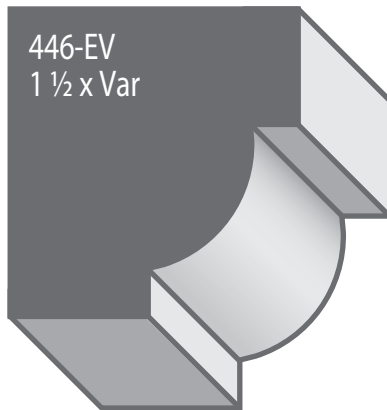
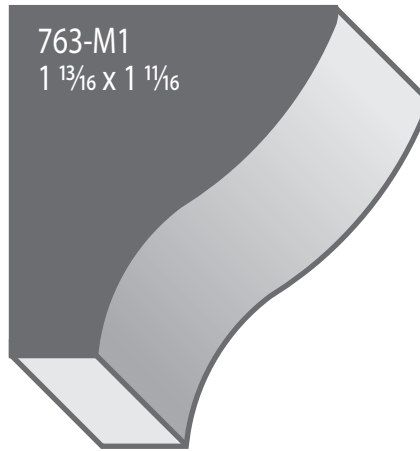
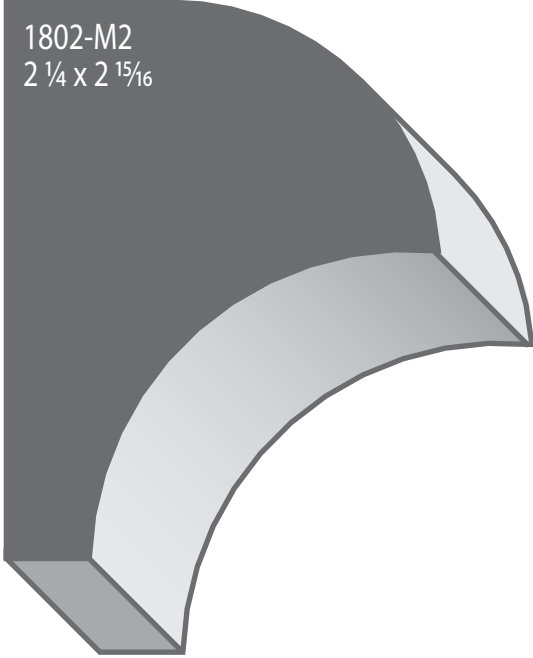
1814-M2
3 1/32 X 2 9/16





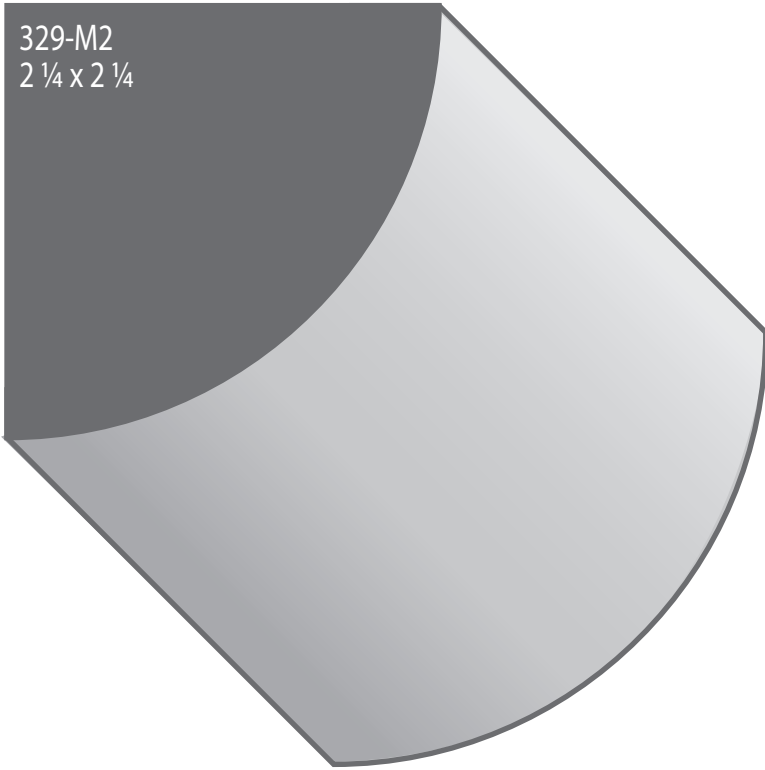


‡ Sample missing

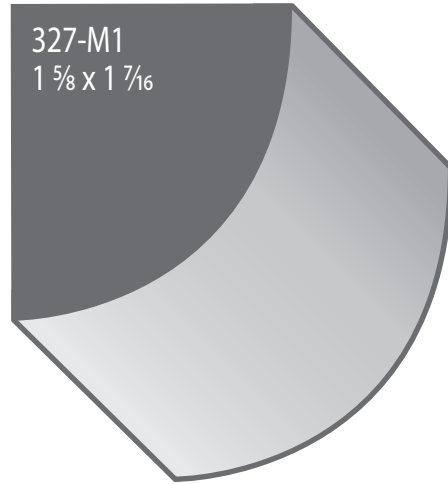




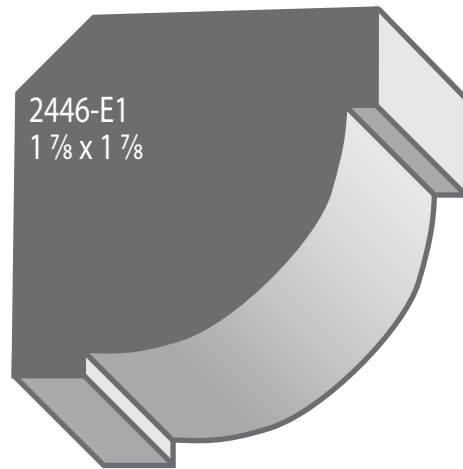
329-M2
2 1/4 x 2 1/4

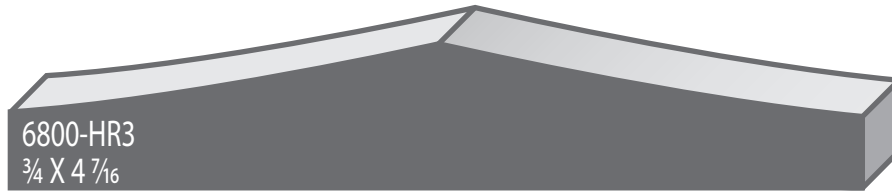
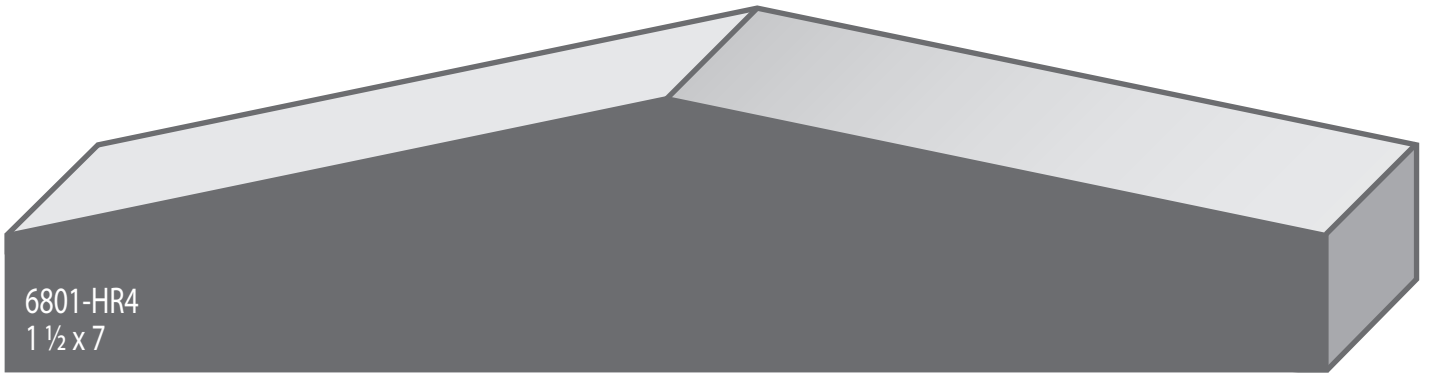


327-M1
1 5/8 x 1 7/16



2446-E1
1 7/8 x 1 7/8





SIDING

