



CUSTOM EXTERIOR PROFILES



www.mccoymillwork.com



Exterior Moulding
Water Table
Siding
Index

2
5
6
8

Custom Shop Services

Standard modifications to lumber (ripping, planing, etc.) and custom profiles.

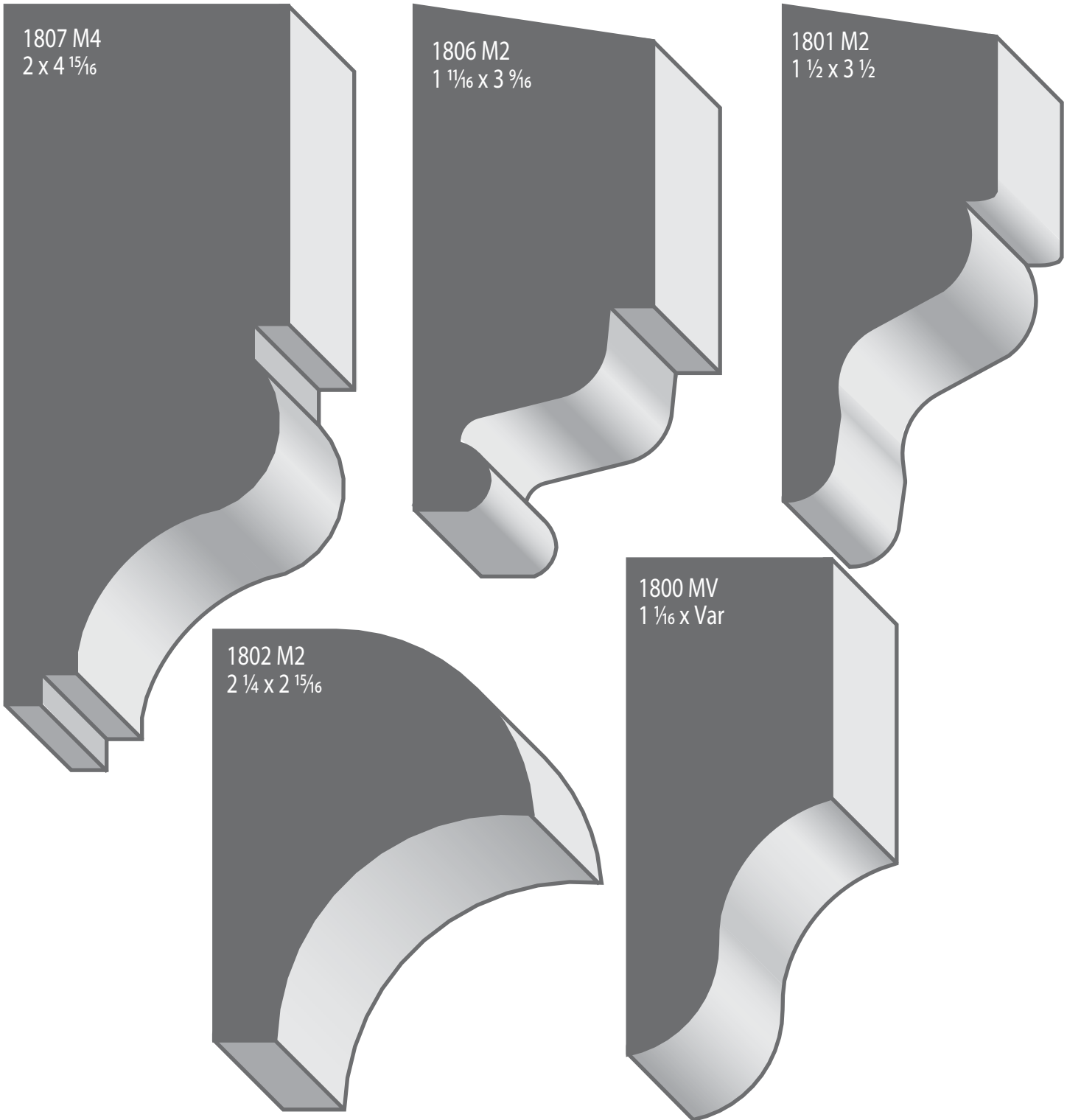
For custom profiles pricing is determined by the chosen species of wood and quantity. Provide the following:

1. A sample or scale drawing of the profile.
2. Amount of moulding needed in Lineal Feet.
3. Preferred species of wood.
4. Preferred final finish (paint or stain).

Send us your information via email or come in for a quote. You can expect to hear from us regarding pricing in 2 days.

Manufacturing time varies: 2 days-2 weeks.

www.oregonwood.net



Custom Shop Services

Standard modifications to lumber (ripping, planing, etc.) and custom profiles.

For custom profiles pricing is determined by the chosen species of wood and quantity. Provide the following:

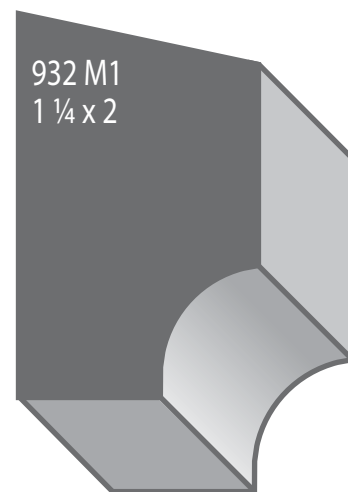
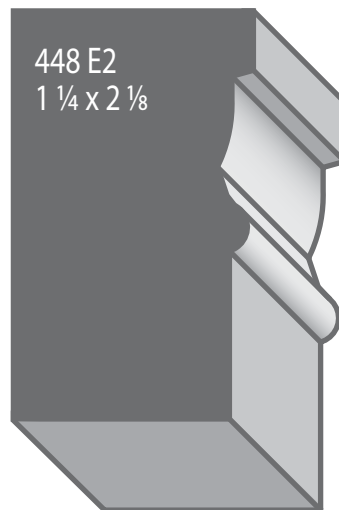
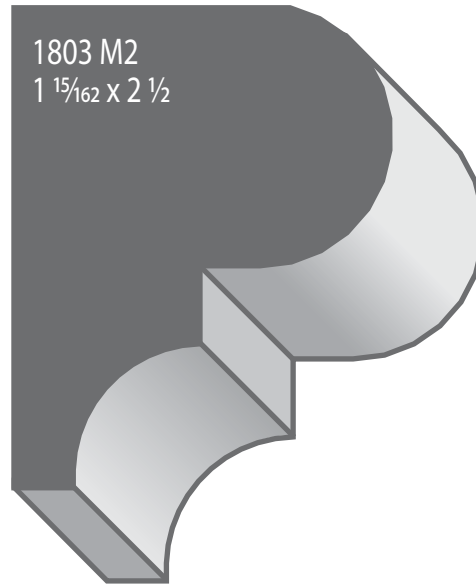
1. A sample or scale drawing of the profile.
2. Amount of moulding needed in Lineal Feet.
3. Preferred species of wood.
4. Preferred final finish (paint or stain).

Send us your information via email or come in for a quote. You can expect to hear from us regarding pricing in 2 days.

Manufacturing time varies: 2 days-2 weeks.



www.oregonwood.net



Custom Shop Services

Standard modifications to lumber (ripping, planing, etc.) and custom profiles.

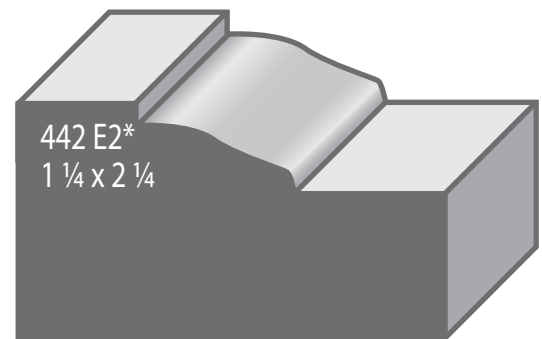
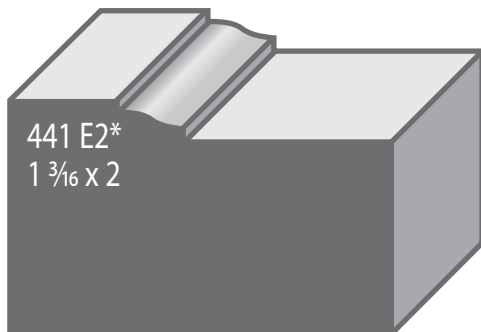
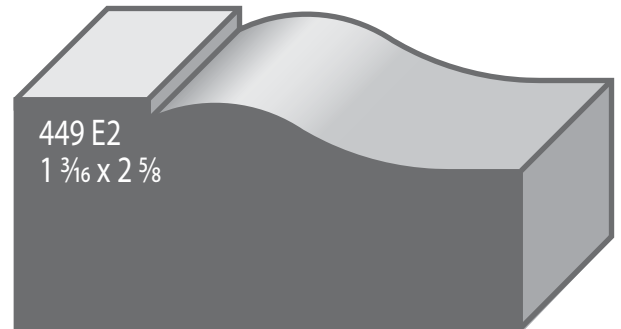
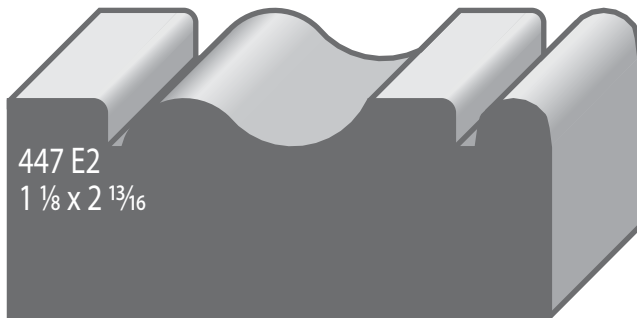
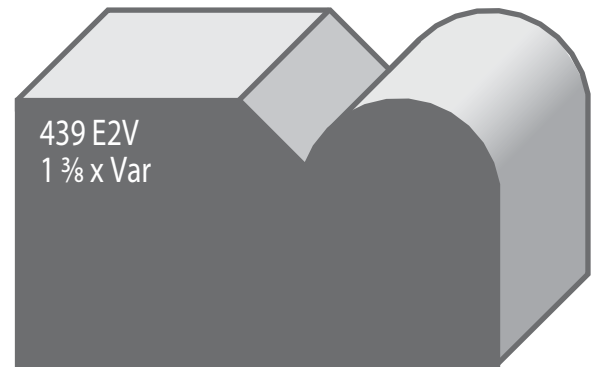
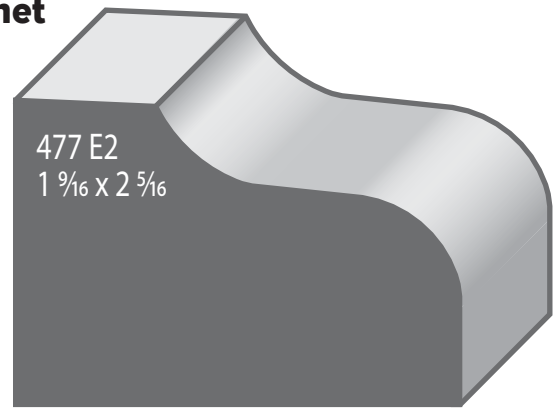
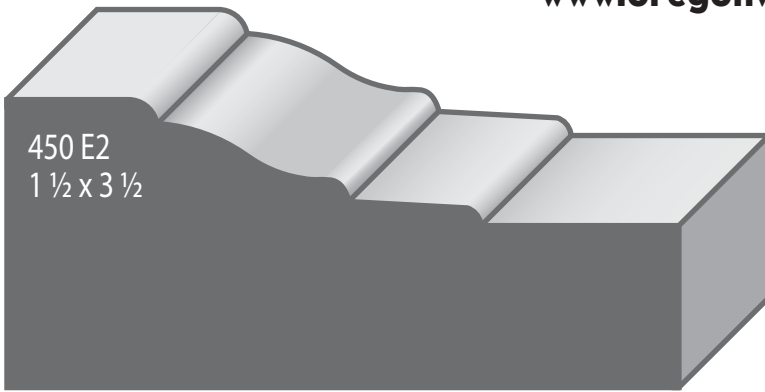
For custom profiles pricing is determined by the chosen species of wood and quantity. Provide the following:

1. A sample or scale drawing of the profile.
2. Amount of moulding needed in Lineal Feet.
3. Preferred species of wood.
4. Preferred final finish (paint or stain).

Send us your information via email or come in for a quote. You can expect to hear from us regarding pricing in 2 days.

Manufacturing time varies: 2 days-2 weeks.

www.oregonwood.net



Custom Shop Services

Standard modifications to lumber (ripping, planing, etc.) and custom profiles.

For custom profiles pricing is determined by the chosen species of wood and quantity. Provide the following:

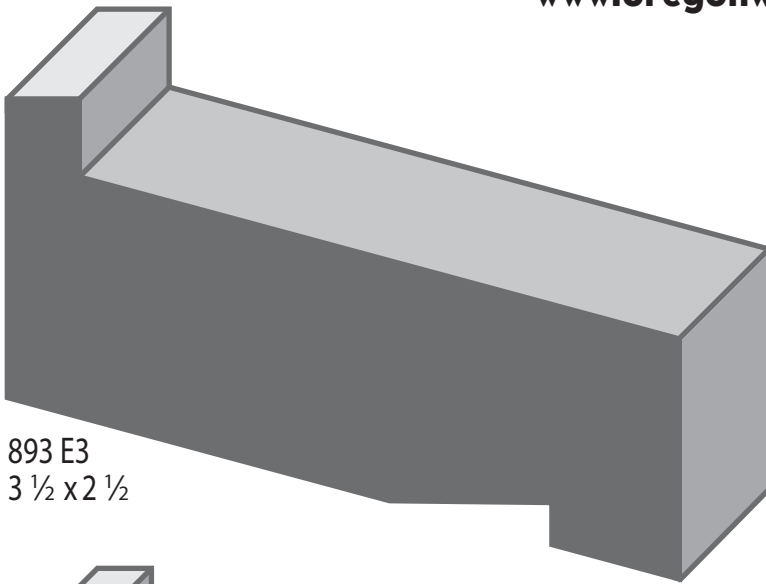
1. A sample or scale drawing of the profile.
2. Amount of moulding needed in Lineal Feet.
3. Preferred species of wood.
4. Preferred final finish (paint or stain).

Send us your information via email or come in for a quote. You can expect to hear from us regarding pricing in 2 days.

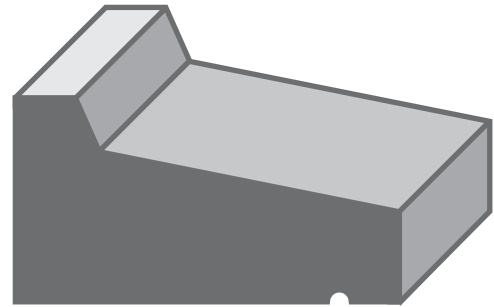
Manufacturing time varies: 2 days-2 weeks.



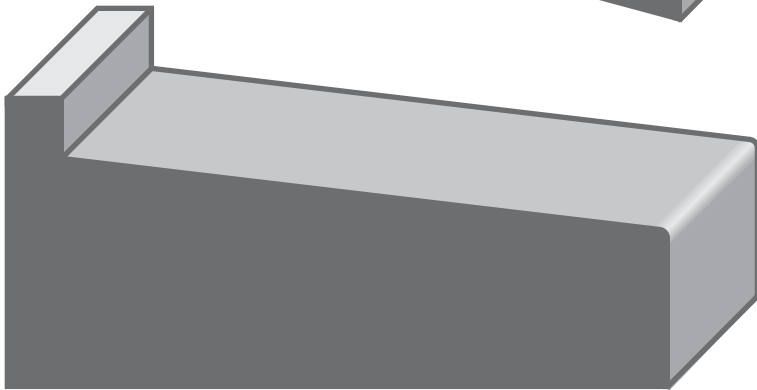
www.oregonwood.net



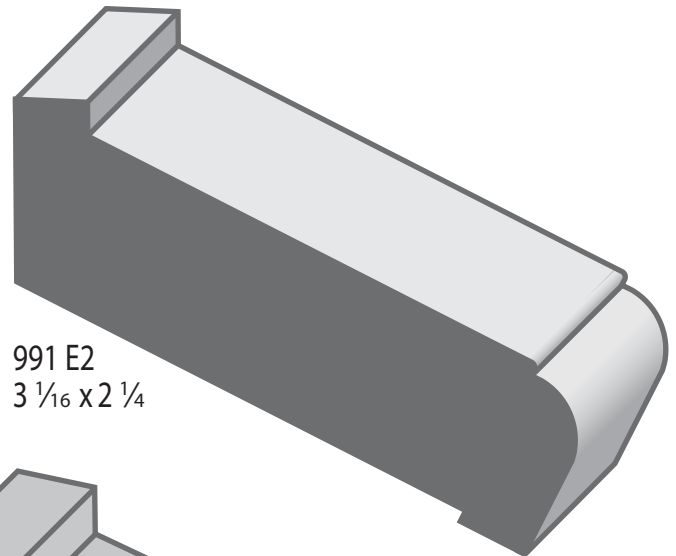
893 E3
3 1/2 x 2 1/2



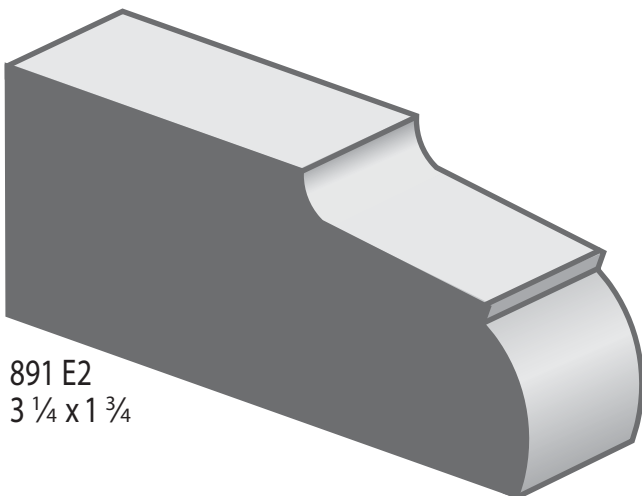
889 E2
2 x 1 1/16



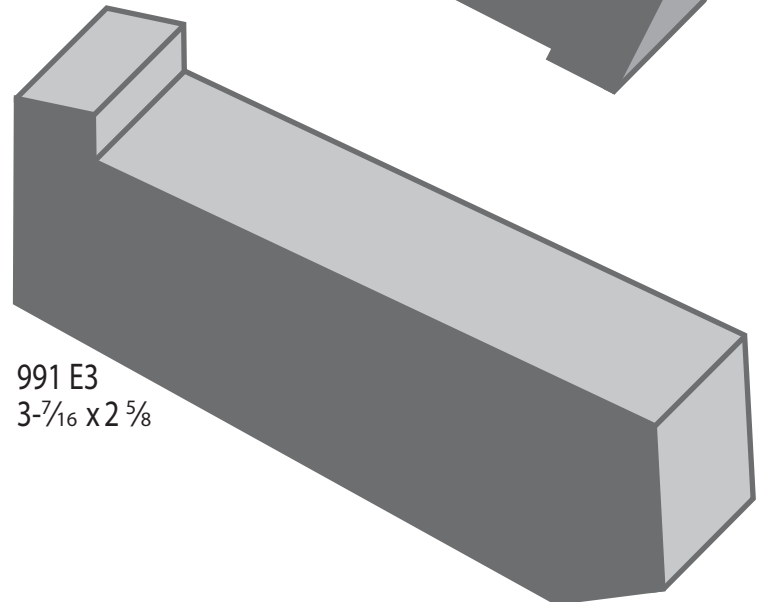
892 E2
3 7/16 x 1 1/2



991 E2
3 1/16 x 2 1/4



891 E2
3 1/4 x 1 3/4



991 E3
3-7/16 x 2 5/8

Custom Shop Services

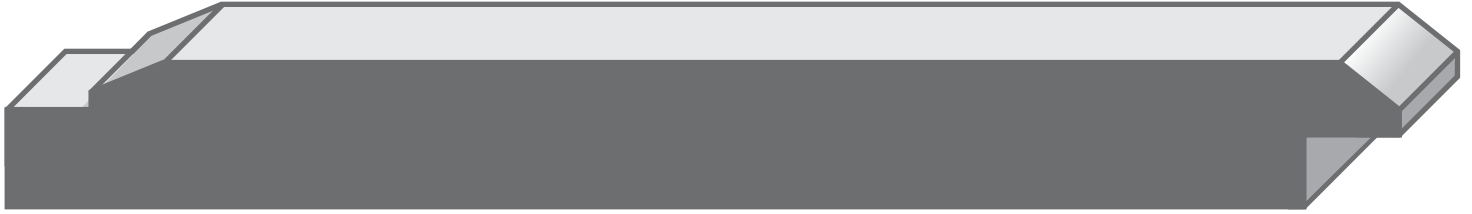
Standard modifications to lumber (ripping, planing, etc.) and custom profiles.

For custom profiles pricing is determined by the chosen species of wood and quantity. Provide the following:

1. A sample or scale drawing of the profile.
2. Amount of moulding needed in Lineal Feet.
3. Preferred species of wood.
4. Preferred final finish (paint or stain).

Send us your information via email or come in for a quote. You can expect to hear from us regarding pricing in 2 days.

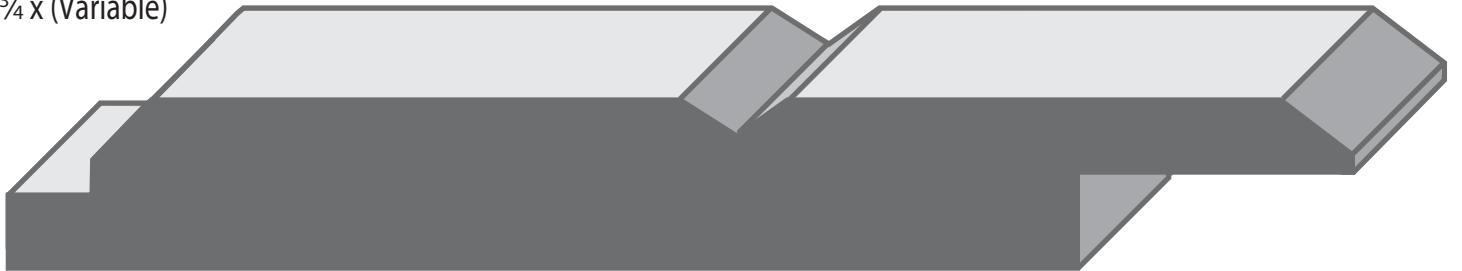
Manufacturing time varies: 2 days-2 weeks.



BV SLV
 $\frac{3}{4}$ x (Variable)



CH SLV
 $\frac{3}{4}$ x (Variable)



CH2 SL5
 $\frac{7}{8}$ x 7



CH3 SLV
 $1\frac{1}{16}$ x Variable



RAD SLV
 $1\frac{1}{16}$ x Var

Custom Shop Services

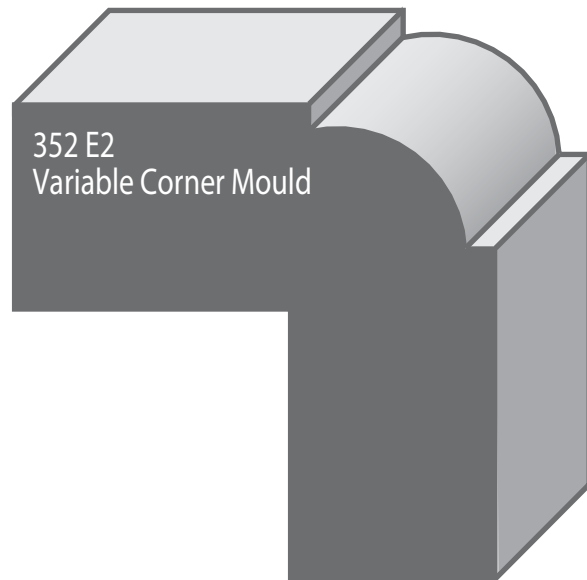
Standard modifications to lumber (ripping, planing, etc.) and custom profiles.

For custom profiles pricing is determined by the chosen species of wood and quantity. Provide the following:

1. A sample or scale drawing of the profile.
2. Amount of moulding needed in Lineal Feet.
3. Preferred species of wood.
4. Preferred final finish (paint or stain).

Send us your information via email or come in for a quote. You can expect to hear from us regarding pricing in 2 days.

Manufacturing time varies: 2 days-2 weeks.



Custom Shop Services

Standard modifications to lumber (ripping, planing, etc.) and custom profiles.

For custom profiles pricing is determined by the chosen species of wood and quantity. Provide the following:

1. A sample or scale drawing of the profile.
2. Amount of moulding needed in Lineal Feet.
3. Preferred species of wood.
4. Preferred final finish (paint or stain).

Send us your information via email or come in for a quote. You can expect to hear from us regarding pricing in 2 days.

Manufacturing time varies: 2 days-2 weeks.

PROFILE INDEX * = stock profile

Profile #	Pg #	Profile #	Pg #	Profile #	Pg #	Profile #	Pg #
352 E2	Exterior Corner Mld	7					
439 E2V	Brick Mould	4					
441 E2*	Brick Mould	4					
442 E2*	Brick Mould	4					
443 E2	Brick Mould	3					
446 EV	Brick Mould	4					
447 E2	Brick Mould	4					
448 E2	Brick Mould	3					
449 E2	Brick Mould	4					
450 E2	Brick Mould	4					
477 E2	Brick Mould	4					
889 E2	Ext Sill	5					
891 E2	Ext Sill	5					
892 E2	Ext Sill	5					
893 E3	Ext Sill	5					
932 M1	Exterior	3					
991 E2	Ext Sill	5					
991 E3	Ext Sill	5					
1800 MV	Exterior	2					
1801 M2	Exterior	2					
1802 M2	Exterior	2					
1803 M2	Exterior	3					
1806 M2	Ext Apron	2					
1807 M4	Exterior	2					
1808 M2	Ext Apron	3					
B							
BD SLV	Shiplap	7					
BV SLV	Shiplap	6					
C							
CH2 SL5	Shiplap	6					
CH3 SLV	Shiplap	6					
CH SLV	Shiplap	6					
F							
FLT SL2	SHIPLAP	6, 7					
L							
LG SLV	Shiplap	7					
R							
RAD 2SLV	Shiplap	7					
RAD SLV	Shiplap	6					