



Section E - Miscellaneous



McCOY MILLWORK

Custom Shop Services

For custom profiles pricing is determined by the chosen species of wood and quantity. Provide the following:

1. A sample or scale drawing of the profile.
2. Amount of moulding needed in Lineal Feet.
3. Preferred species of wood.
4. Preferred final finish (paint or stain).

Send us your information via email or come in for a quote. You can expect to hear from us regarding pricing in 2 days.

Manufacturing time varies: 2 days-2 weeks.

Profile #	Pg #	Profile #	Pg #	Profile #	Pg #	Profile #	Pg #
131-PV Shaker Cove	128	474-P1 Misc	127	772-TGV T&G V-Groove	131	933-M2 Crown	125
184B-D2 Chair Rail	122	475-P1 Misc	126	773-TGV Beadboard	130	935-M1 Misc Moulding	127
184-D2* Chair Rail	122	476-P1 Panel Mould	126	774B-TGV T&G	130	938-M2 Misc	124
187-D2 Chair Rail	122	477-P1 Panel Mould	126	774-TGV Wainscot/Flooring	130	939-BV Ogee	129
187-PV Cove	128	479-P2 Misc Mould	126	775-TGV T&G V-Groove	130	953B-S1 Parting Bead	127
189-DV Chair Rail	123	484-C2 Misc	125	776-TGV T&G V-Groove	131	955B-M1 Misc Ogee	129
207-T3 Chair Rail	119	497-T2 Misc	124	777-TG2 Bead Board	130	962-M2 Chair Rail	123
268-D2 Misc	125	500-P1* Shaker Cove	128	778-TGV Wainscot	130	973A-MV Counter Edge	127
286B-MV Chair Rail	121	501-P1* Shaker Cove	128	779-TG2 Wainscot	130	974-M2 Chair Rail	122
293-D1 Chair Rail	120	531-C1 Misc/Crown	124	780-P1* Wainscot Cap	118	977-D1 Chair Rail	121
294-D2 Wainscot Cap	118	600-M1* Cove	128	799-MV Floor Transition	132	977-D2 Chair Rail	122
296B-D2 Chair Rail	120	602-P1 Cove	128	801-M2 Flooring Transition	132	979-D2 Chair Rail	122
296-D2 Chair Rail	120	607-C2 Crown/Corbel	124	802-M2 Floor Moulding	132	981B-D3 Chair Rail	122
298-D2 Chair Rail	119	680-D2 Chair Rail	122	803B-M2 Transition	132	981-D2 Chair Rail	122
299-P1 Cove	128	697-P1 Panel Mould	118	803-D2 Chair Rail	121	981-MV Misc Mould	118
300-P1* Cove	128	700-P1 Panel Mould	118	803-MV Floor Transition	132	982-M2 Misc	124
301-P1* Cove	128	704-BV Ovolo	129	804.2-M2 Chair Rail	121	1002-DV Chair Rail	121
323-M1 Quarter round	128	704-P1 Ovolo	129	804-M2 Floor Mould	132	1005-D2 Chair Rail	121
324-M1* Quarter Round	128	709-D2 Chair Rail	123	805-MV Floor Transition	132	1006-D2 Chair Rail	121
325-M1 Quarter Round	128	715-D2* Chair rail	120	808-D2 Chair Rail	121	1019-A1 Misc Mould	118
326-M1 Quarter Round	128	722-D2 Chair Rail	119	813-MV Base Cap	128	1034-P2 Misc	124
333-M1 Misc Mould	127	723-M2 Chair Rail	119	816-P1 Pencil Mould	124	1036-M1 Ovolo	129
334-M2 Half Round	128	724-P1 Misc Mould	126	820-MV Chair Rail	122	1040-M1 Edge Band	123
380-M1 Corner Moulding	118	725-D2 Misc/Chair Rail	124	820-T2 Chair Rail	122	1050-M1 Edge Band	123
382-M1 Corner Moulding	118	733-M1 Misc	123	830-M1 Cove	123	1060-M1* Edge Band	123
383-M1 Corner Moulding	118	747-P2 Chair Rail	125	833-D2 Chair Rail	122	1070-M2 Chair Rail	123
400-M1 Misc Mould	127	748-M2 Chair Rail	120	834-M2 Chair Rail/Misc	121	1080-M1 Edge Band	123
401-M1 Misc Mould	127	748-P2 Chair Rail	120	835-M1 Pencil Moulding	118	1081-M1 Edge Band	122
402-M1 Misc	126	749-D2 Chair Rail	120	840-M1 Misc Mould	118 127	1082-M1 Edge Band	123
403-M1 Crown	126	752-D4* Chair Rail	119	841-M1 Misc Mould	127	1090-M1 Edge Band	123
404-P1 Panel Mould	127	754-D3 Chair Rail	121	921-P1 Ogee Cap	129	1100-D2 Chair Rail	120
430-M1 Screen Mould	127	758-M2 Chair Rail	119	923-P1 Ogee	129	1119-T2 Chair Rail	119
446-EV Ovolo	129	760B-M2 Misc Moulding	126	925-M1 Misc	127	1162-M2 Edge Band	123
447-P1 Misc	126	760-M1 Misc	126	927-M2 Misc	125	1164-M1 Edge Band	123
450-M1 Quarter Round	128	762-M1 Misc	126	927-P1 Ogee	129	1187-D2 Chair Rail	122
473-P2 Edgeband	123	770-TGV T&G V-groove	131	933-M1 Shingle	127	1204-C2 Misc	124

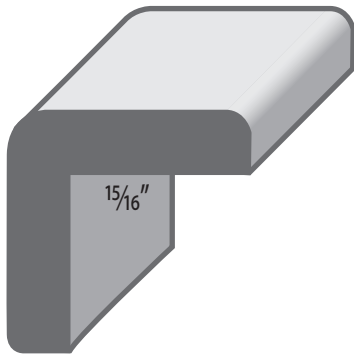


Profile #	Pg #	Profile #	Pg #	Profile #	Pg #	Profile #	Pg #
-----------	------	-----------	------	-----------	------	-----------	------

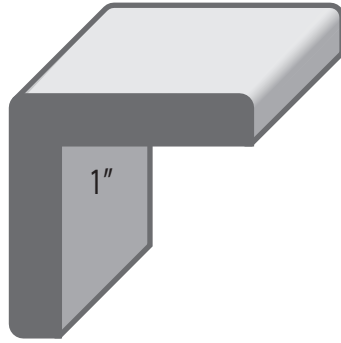
1206-BV Face Bead	128						
1287-BV Misc Ogee	129		F				
1287X-BV Misc Ogee	129	FLOOR-V T&G	132				
1316-TGV Flooring	132		G				
1370-D2 Chair Rail	124						
1371-D3 Wainscot Cap	118	GRV-TGV T&G	131				
1401-M1 Misc Mould	127		R				
1402-M1 Chair Rail	123						
1404-D1 Edge Band	123	RAD1-TGV T&G	130				
1405-D2 Edge Band	123		S				
1494-DV Chair Rail	121						
1496-D2 Chair Rail	121	SNW-301 Cove	128				
1501-P1 Shaker Cove	128	SNW-334 Chair Rail	122				
1510-C2 Misc	124	SNW-736 Chair Rail	121				
1517-P1 Shingle	127						
1519-P1 Misc	127						
1696-M1 Astragal	127						
1698-M1 Misc	127						
1699-M1 Misc Mould	127						
1700-M1 Ovolo	129						
1701-MV Ovolo	129						
1702-M1 Ovolo	129						
1704-P1 Ovolo	129						
1711-P1 Cap/Edge Band	123						
1715B-D2 Chair Rail	120						
1715C-D1 Chair Rail	120						
1715-D2 Chair Rail	120						
1715-D3 Chair Rail	120						
1716-D2 Misc	126						
1745-P2 Chair Rail	119						
1746-D3 Chair Rail	119						
1747-D3 Wainsot Cap	118						
1760-M2 Misc	124						
1810-M2 Misc/Pict Rail	124						
1813-M2 Misc	126						
1816-D2 Chair Rail	125						
2211-P1 Cabinet Sticking	127						
2332-M1 Half Round	128						
2516A-P1 Misc	127						
2516B-P1 Misc	127						
2747-M2 Chair rail	125						
2777-TG2 V-Grv Bead Bd	130						
21006-D2 Chair Rail	121						

B

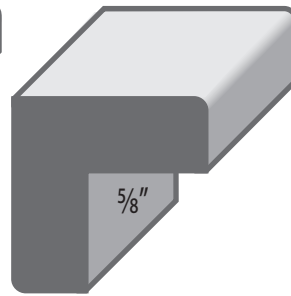
BD-TG2 Bead Board 130



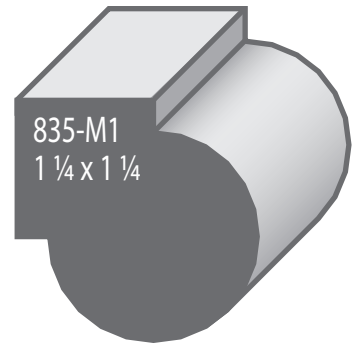
382-M1*
1 1/4 x 1 1/4



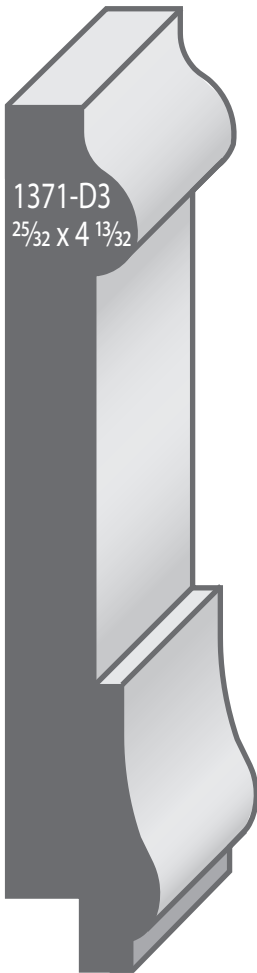
383-M1
1 1/4 x 1 1/4



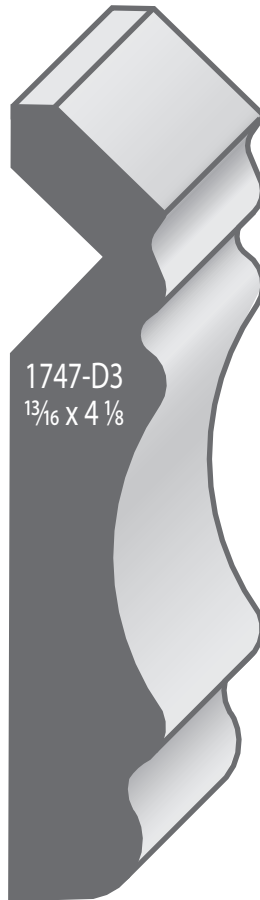
380-M1
1 x 1



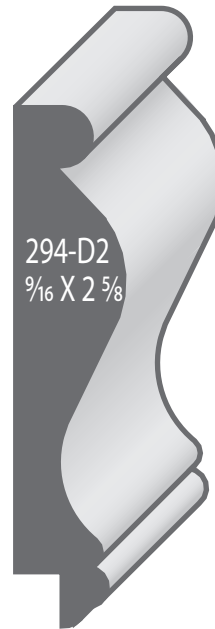
835-M1
1 1/4 x 1 1/4



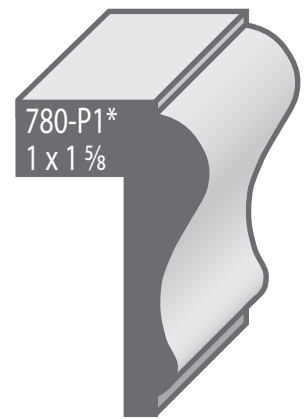
1371-D3
25/32 x 4 13/32



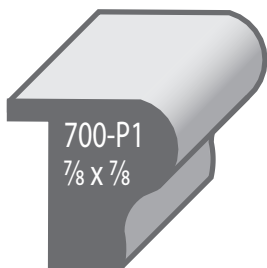
1747-D3
13/16 x 4 1/8



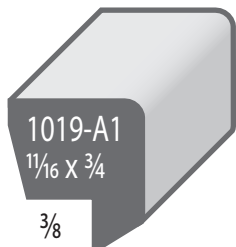
294-D2
9/16 x 2 5/8



780-P1*
1 x 1 5/8

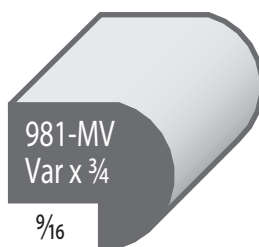


700-P1
7/8 x 7/8



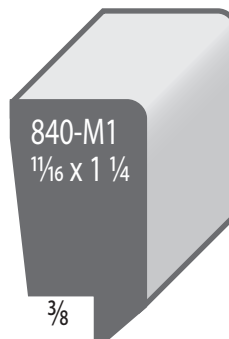
1019-A1
1 1/16 x 3/4

3/8



981-MV
Var x 3/4

9/16

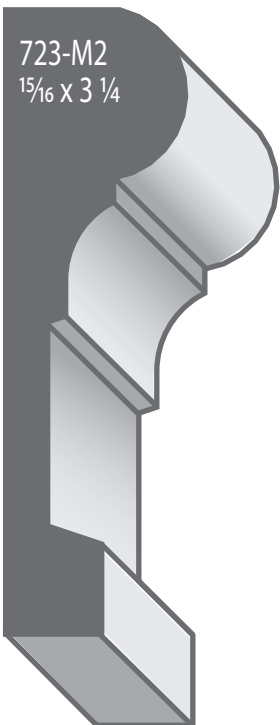
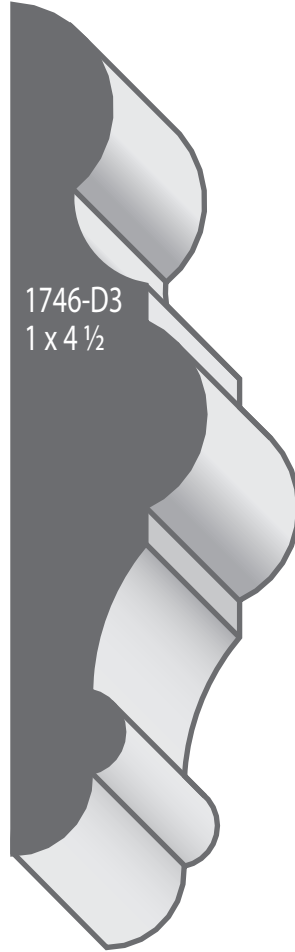
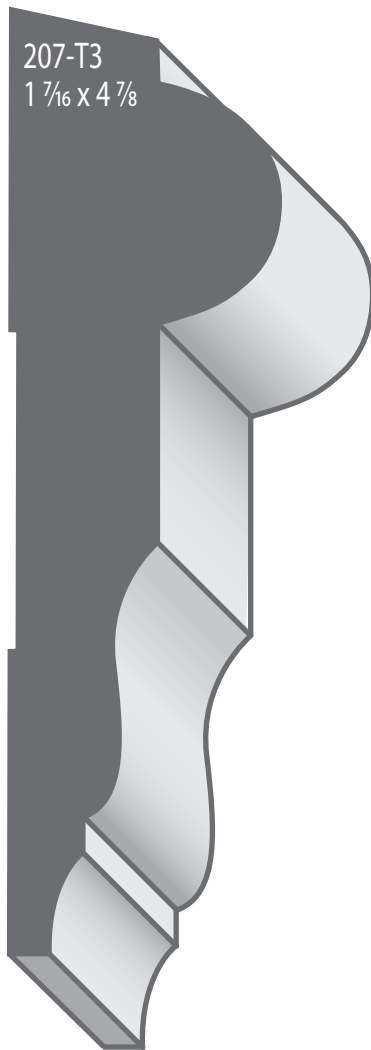


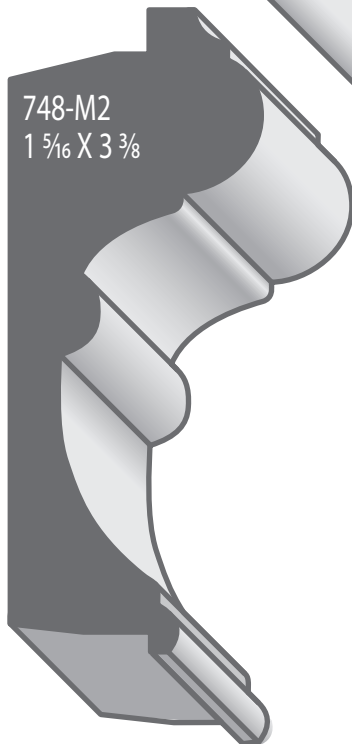
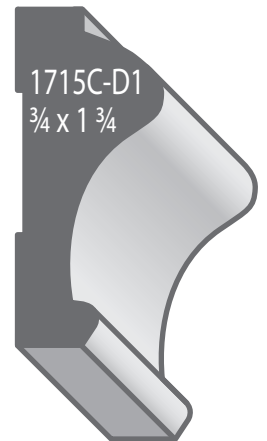
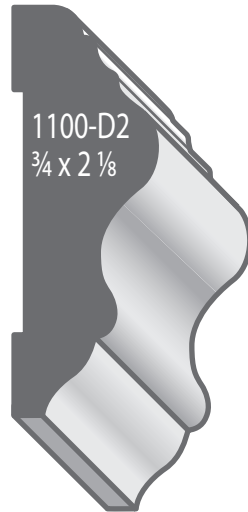
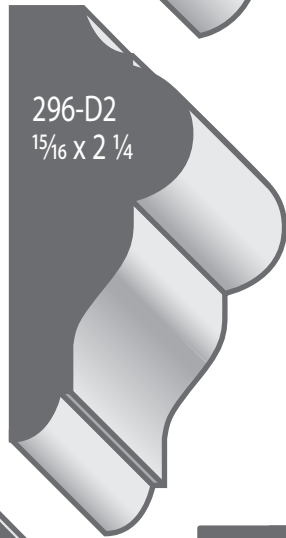
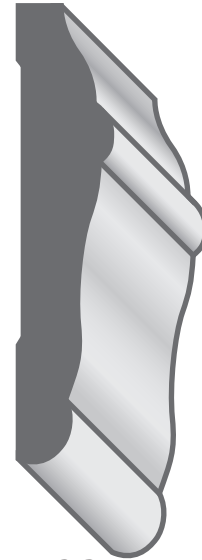
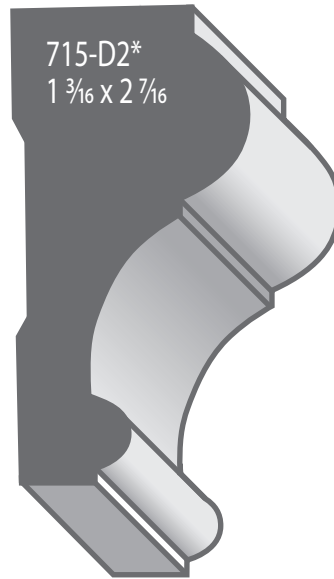
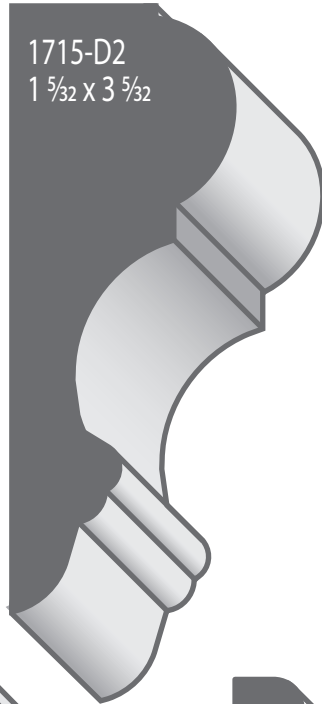
840-M1
1 1/16 x 1 1/4

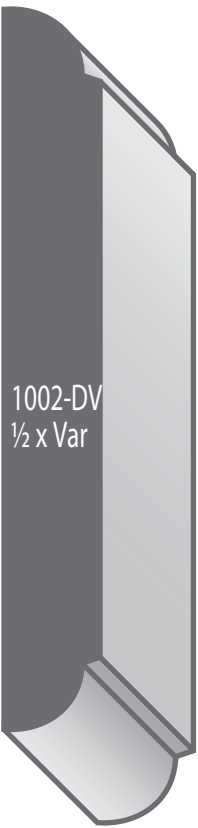
3/8



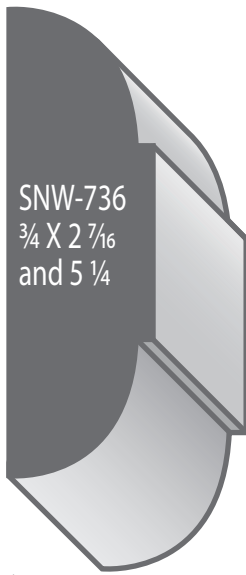
697 P1
1 3/32 x 9/16



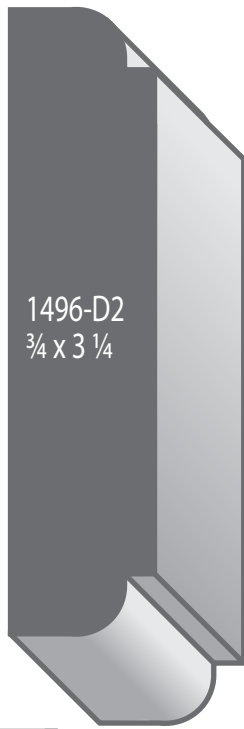




1002-DV
 $\frac{1}{2}$ x Var



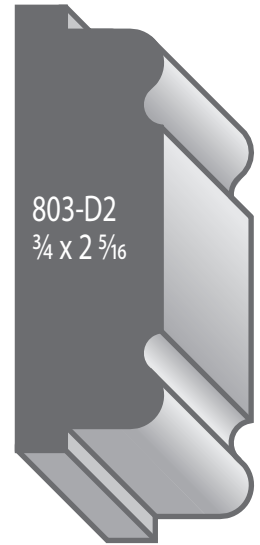
SNW-736
 $\frac{3}{4}$ X $2 \frac{7}{16}$
and $5 \frac{1}{4}$



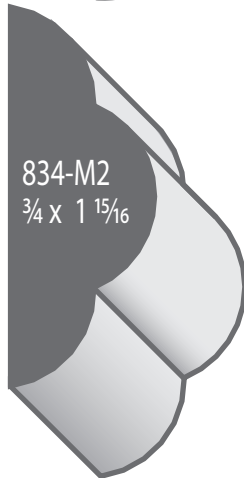
1496-D2
 $\frac{3}{4}$ x $3 \frac{1}{4}$



808-D2
 $\frac{3}{4}$ x $3 \frac{5}{16}$



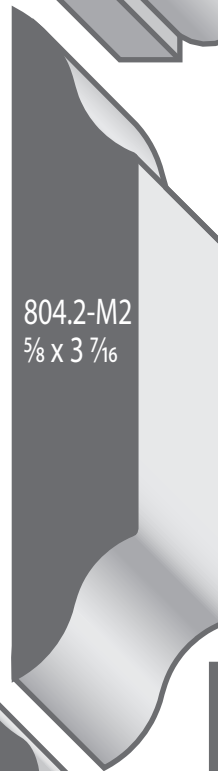
803-D2
 $\frac{3}{4}$ x $2 \frac{5}{16}$



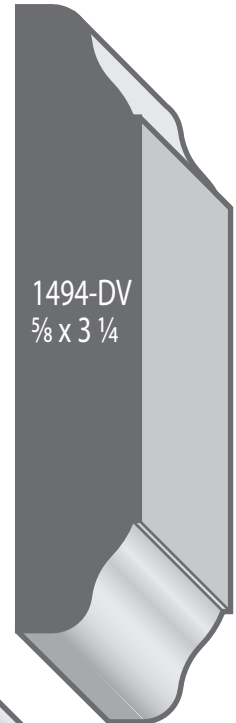
834-M2
 $\frac{3}{4}$ x $1 \frac{15}{16}$



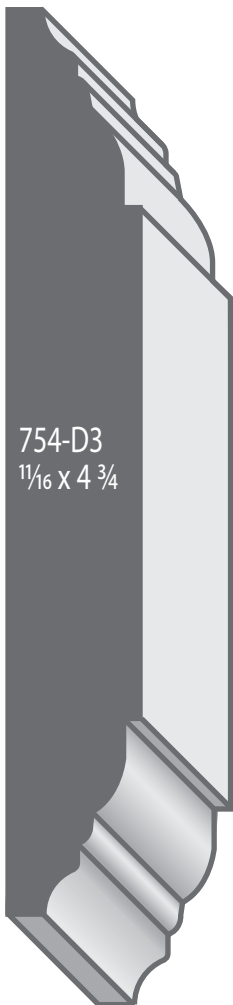
977-D1
 $2 \frac{3}{32}$ X $1 \frac{19}{32}$



804.2-M2
 $\frac{5}{8}$ x $3 \frac{7}{16}$



1494-DV
 $\frac{5}{8}$ x $3 \frac{1}{4}$



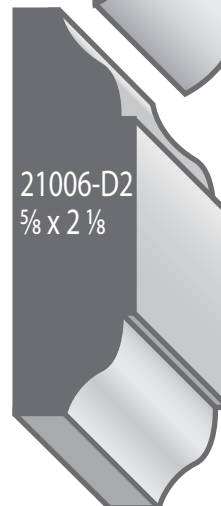
754-D3
 $1 \frac{1}{16}$ x $4 \frac{3}{4}$



286B-MV
 $\frac{3}{4}$ x Var



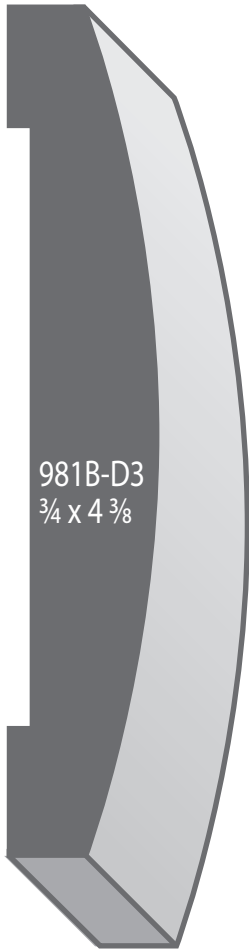
1005-D2*
 $\frac{5}{8}$ x $3 \frac{1}{2}$



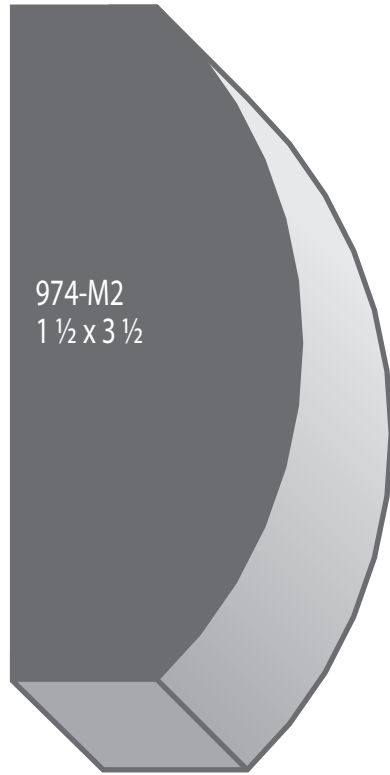
21006-D2
 $\frac{5}{8}$ x $2 \frac{1}{8}$



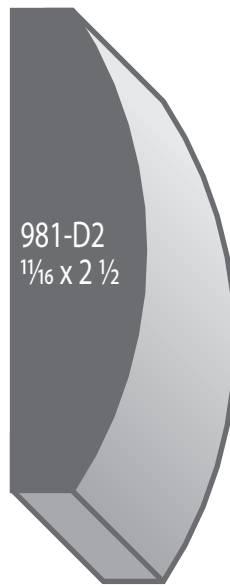
1006-D2
 $\frac{5}{8}$ x $2 \frac{3}{16}$



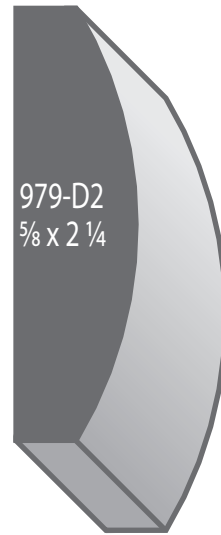
981B-D3
3/4 x 4 3/8



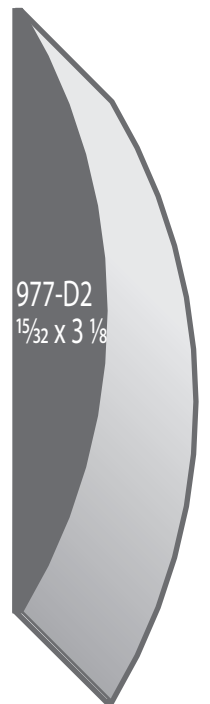
974-M2
1 1/2 x 3 1/2



981-D2
1 1/16 x 2 1/2



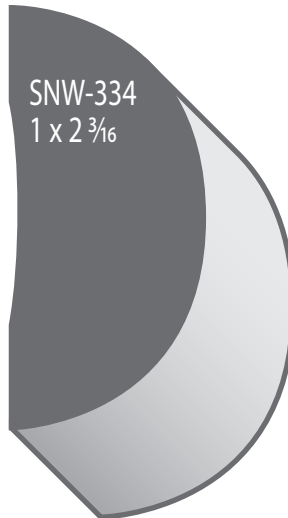
979-D2
5/8 x 2 1/4



977-D2
15/32 x 3 1/8



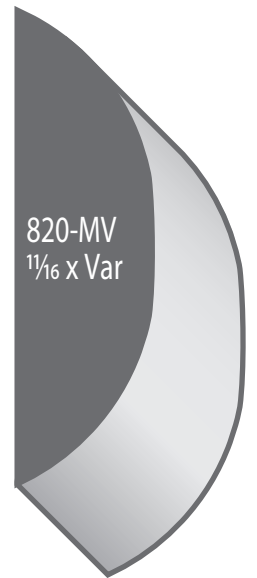
833-D2
23/32 x 2



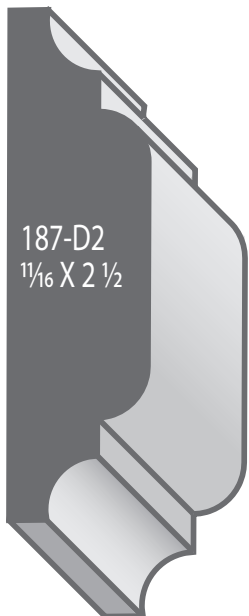
SNW-334
1 x 2 3/16



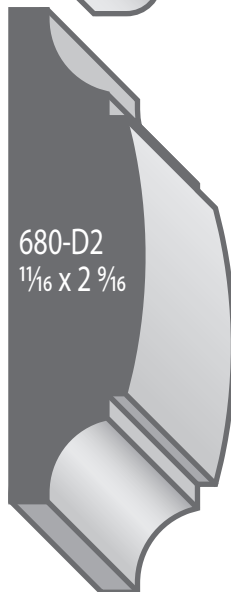
820-T2
3/4 x 2 1/8



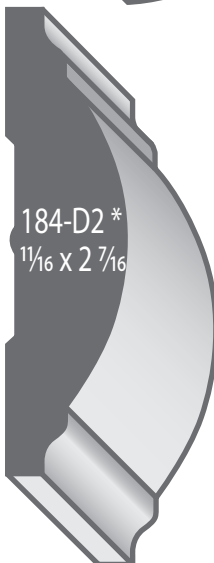
820-MV
1 1/16 x Var



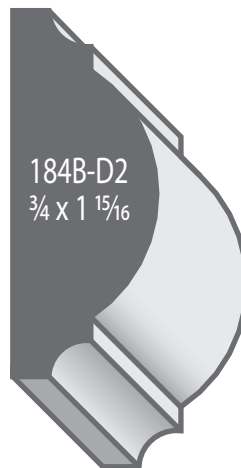
187-D2
1 1/16 x 2 1/2



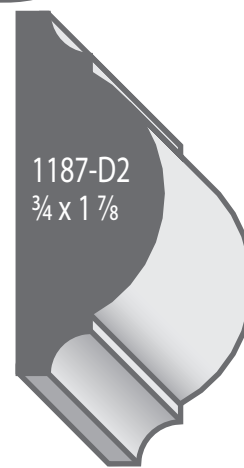
680-D2
1 1/16 x 2 9/16



184-D2 *
1 1/16 x 2 7/16



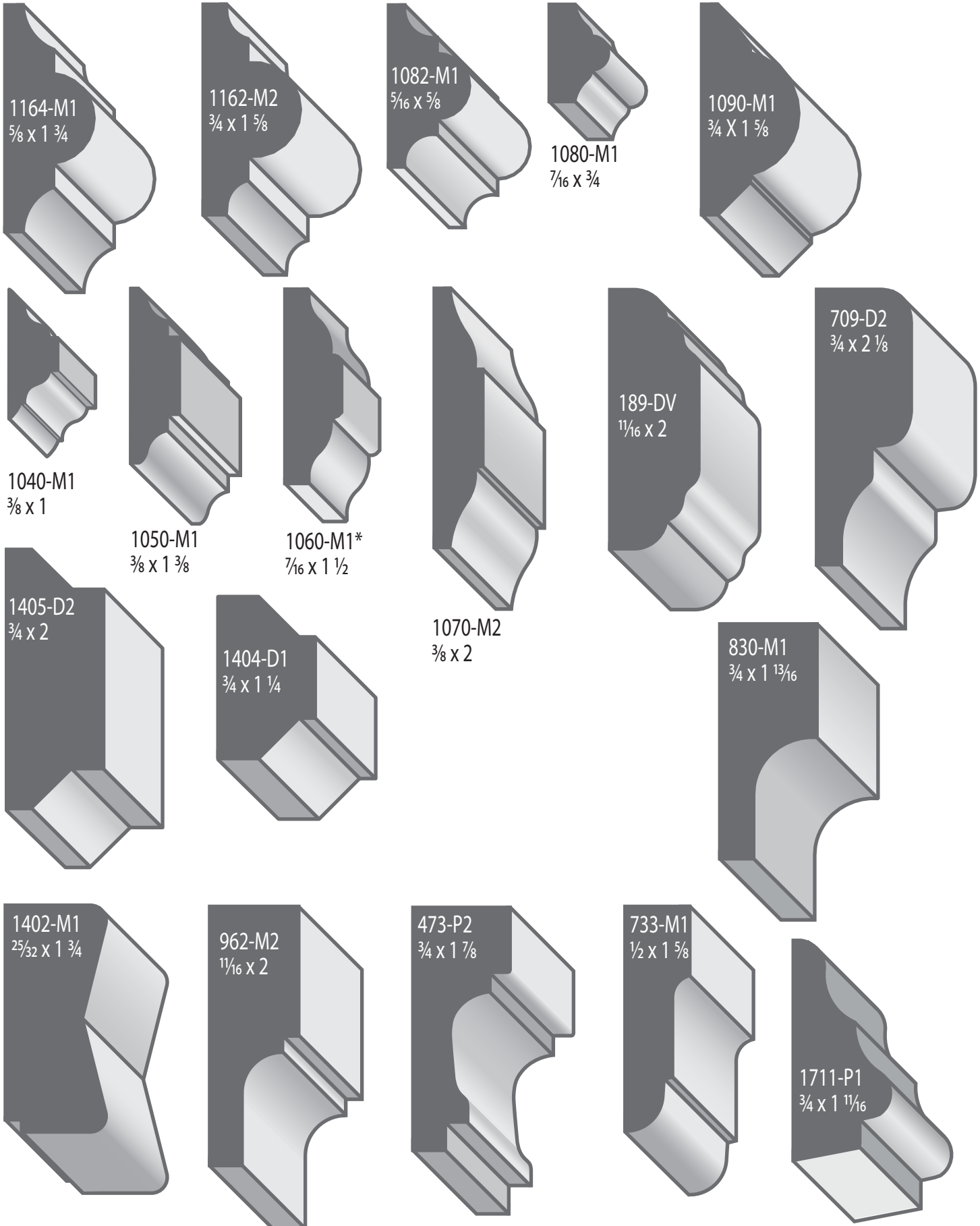
184B-D2
3/4 x 1 15/16

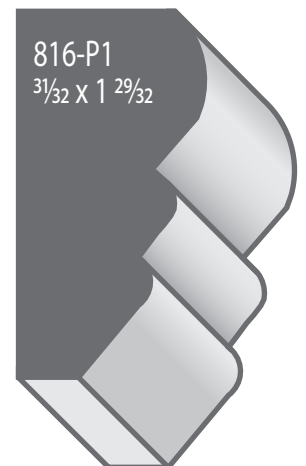
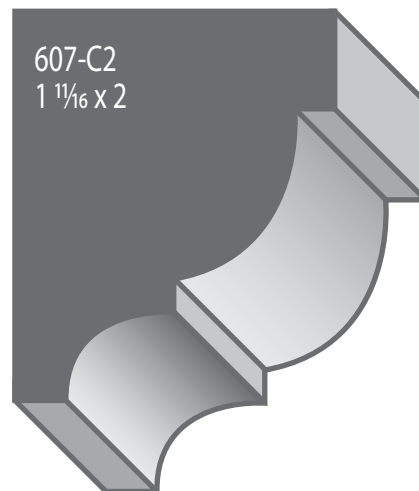
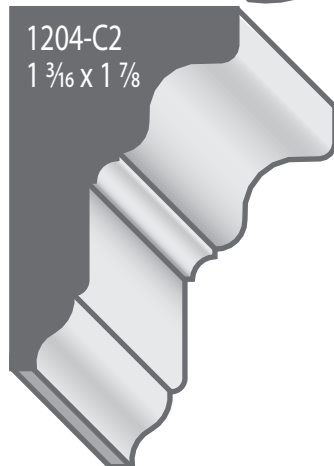
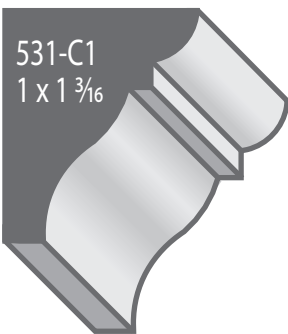
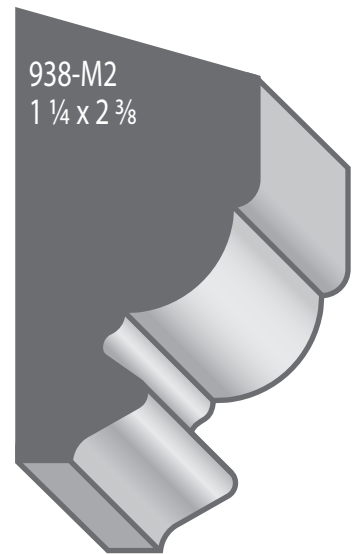
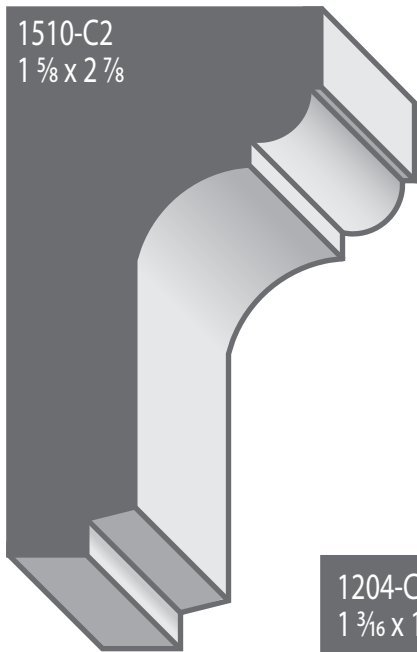
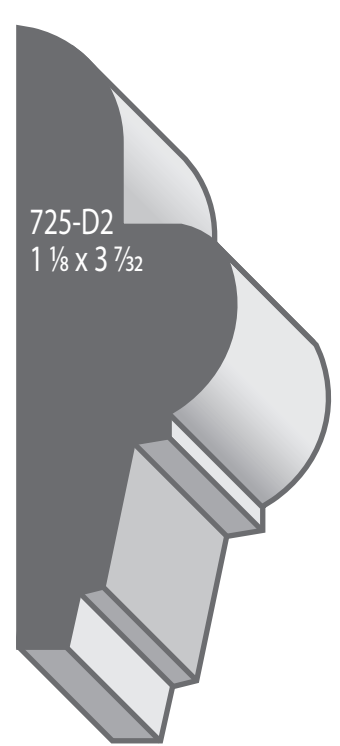
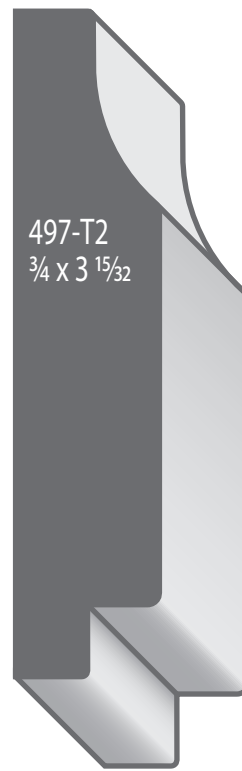


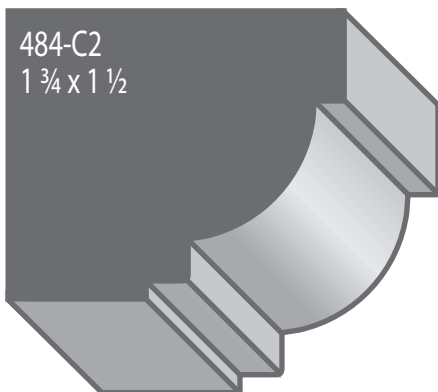
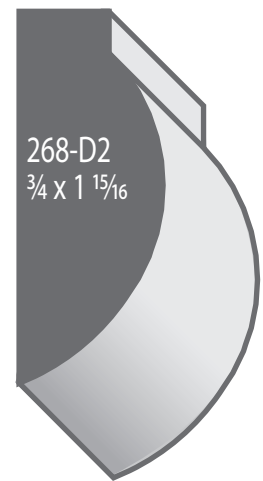
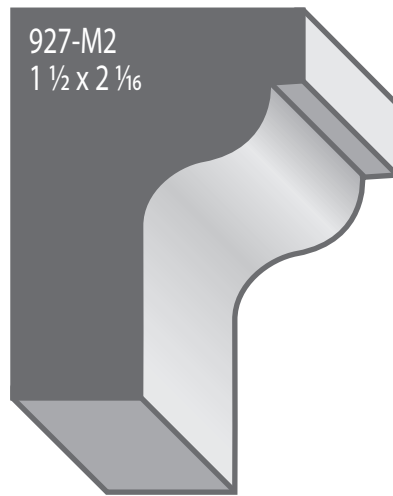
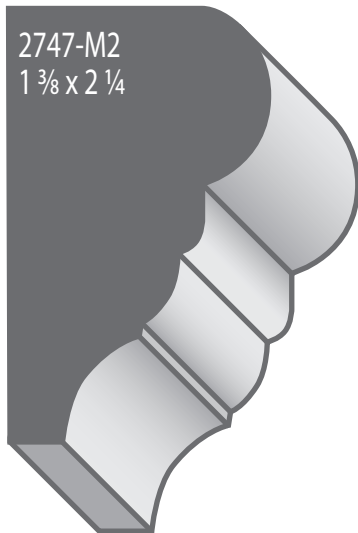
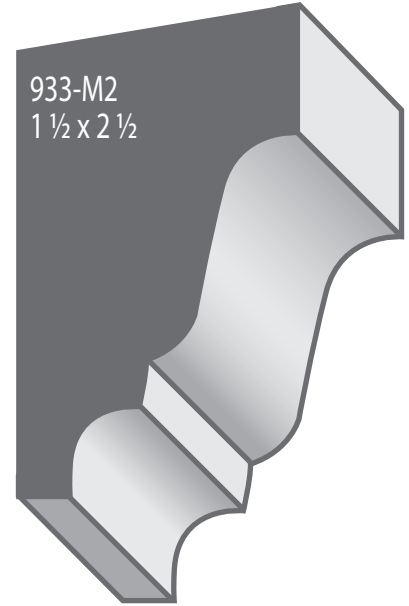
1187-D2
3/4 x 1 7/8

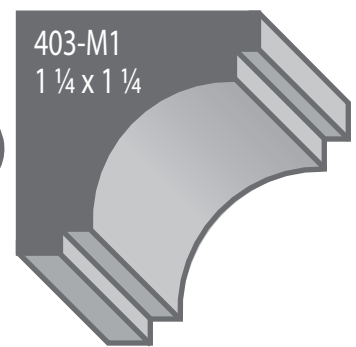
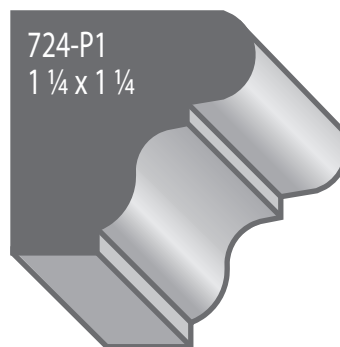
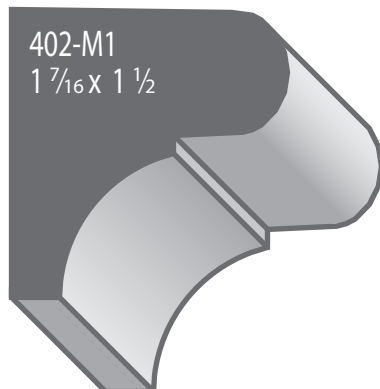
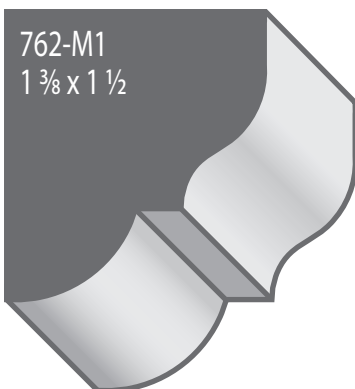
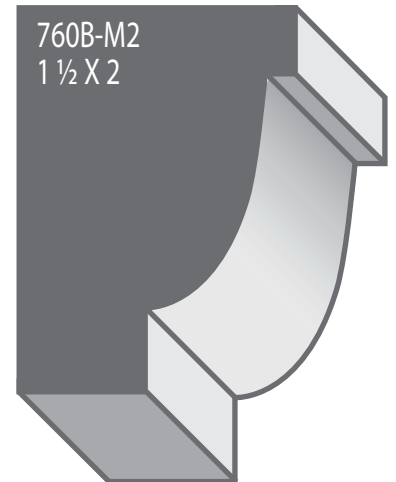
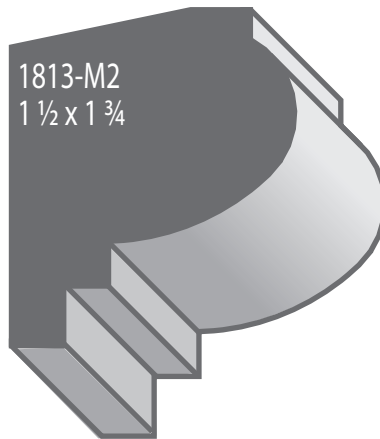
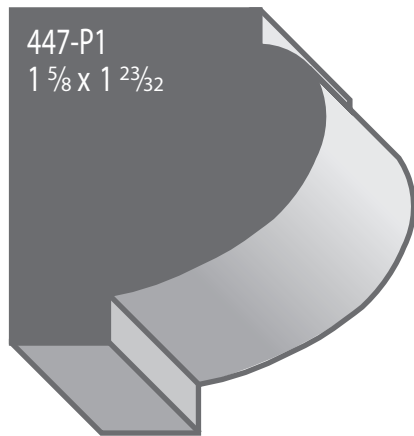
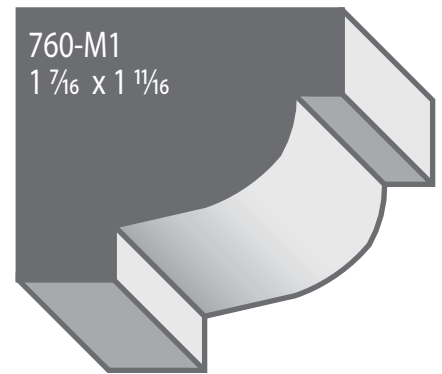
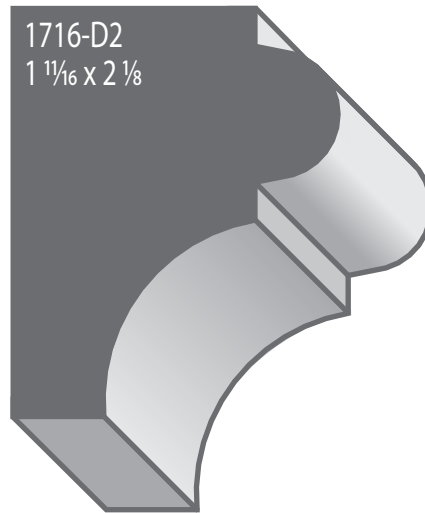
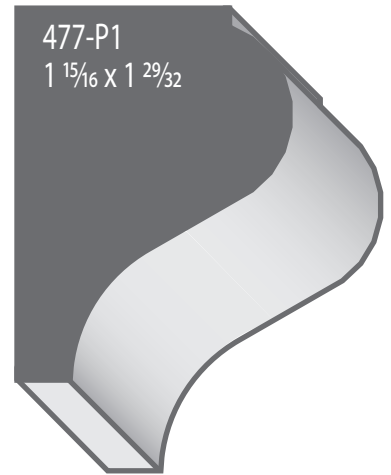
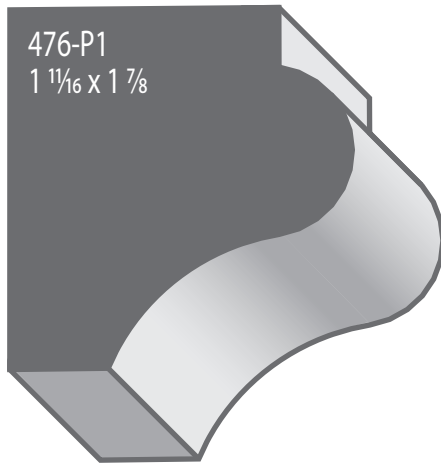
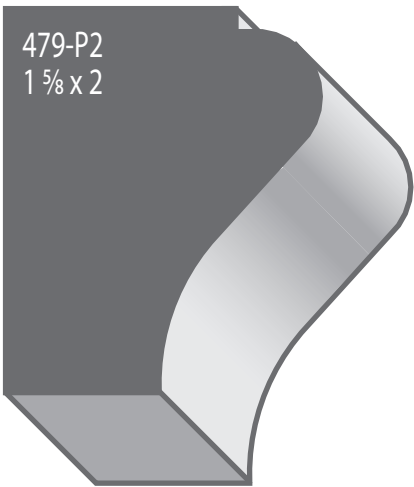


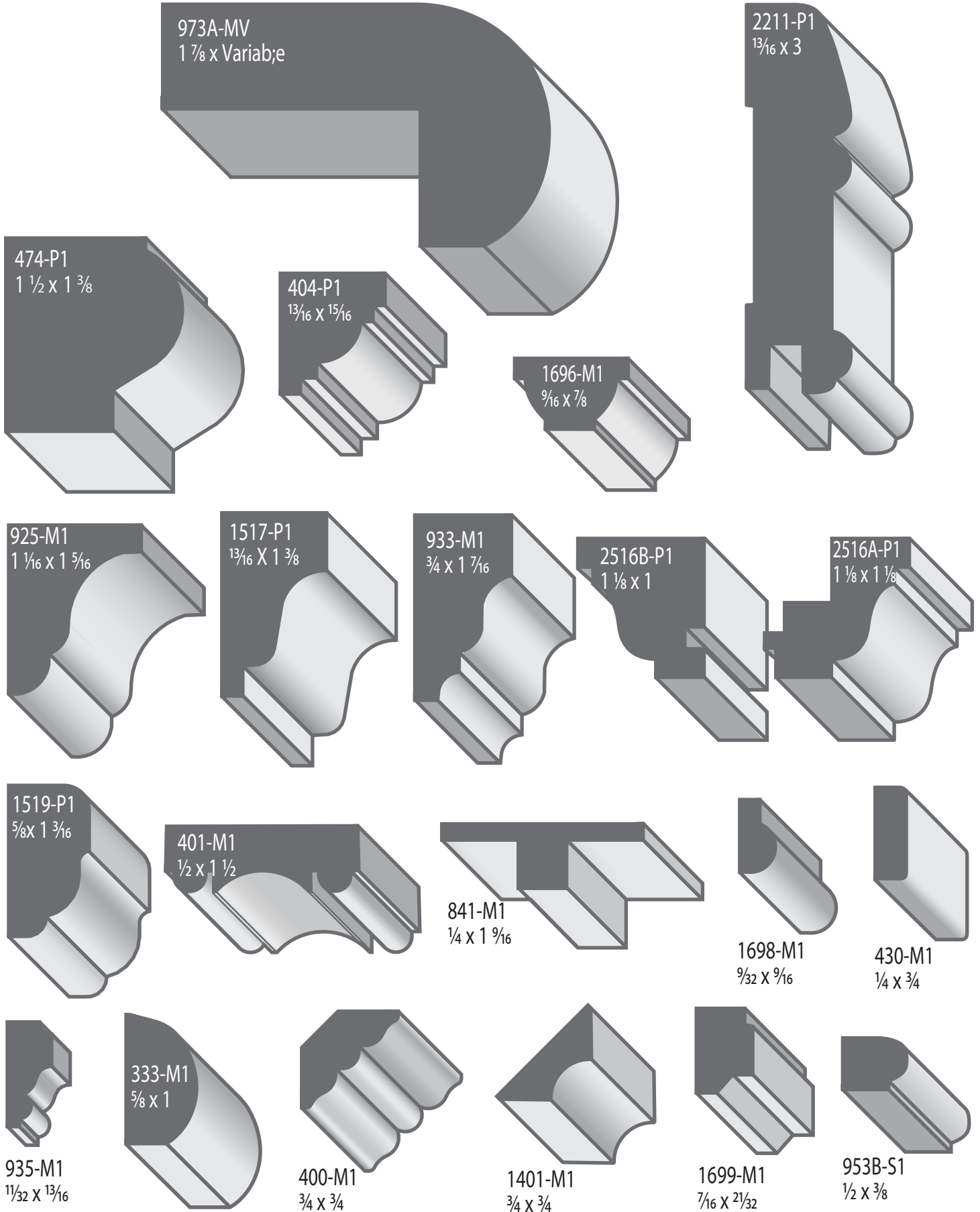
1081-M1
3/8 x 1

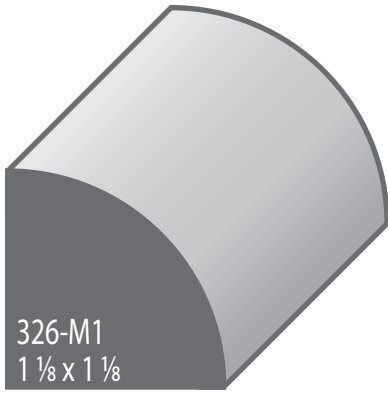




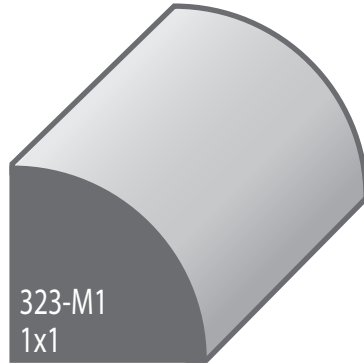




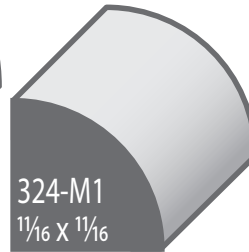




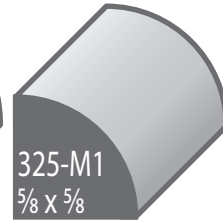
326-M1
1 1/8 x 1 1/8



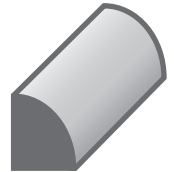
323-M1
1x1



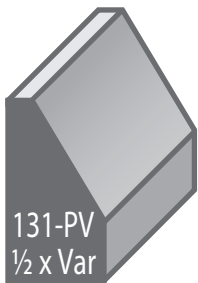
324-M1
1 1/16 x 1 1/16



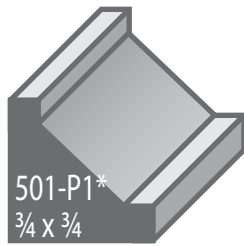
325-M1
5/8 x 5/8



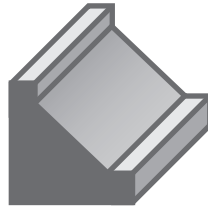
450-M1
5/16 x 3/8



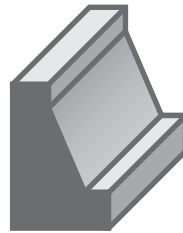
131-PV
1/2 x Var



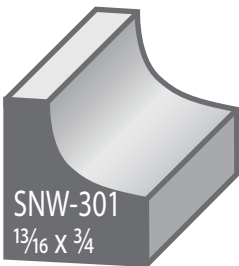
501-P1*
3/4 x 3/4



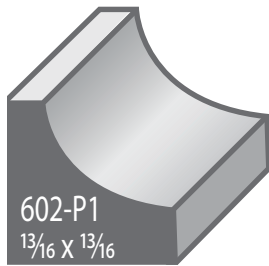
500-P1*
5/8 x 5/8



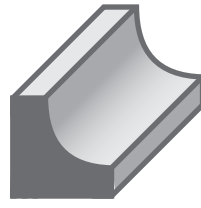
1501-P1
1/2 x 3/4



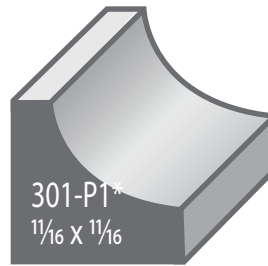
SNW-301
13/16 x 3/4



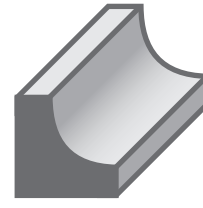
602-P1
13/16 x 13/16



600-M1*
1/2 x 1/2



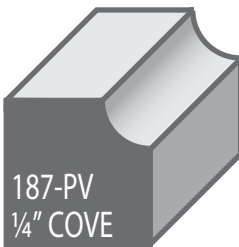
301-P1*
1 1/16 x 1 1/16



300-P1*
1/2 x 1/2



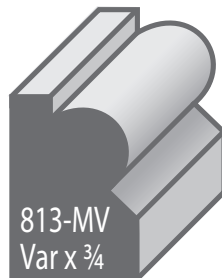
299-P1
1/4 x 1/4



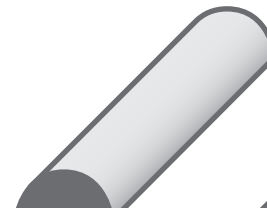
187-PV
1/4" COVE



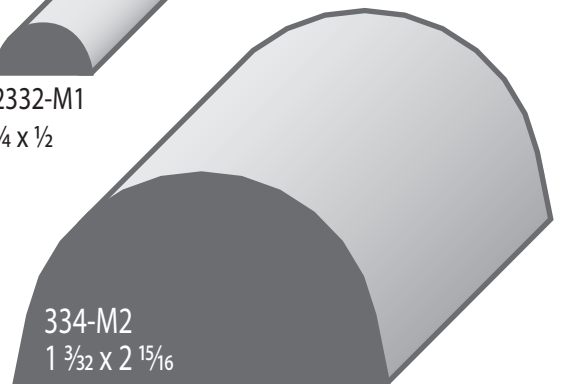
1206-BV
7/32 face
bead and
rabbet



813-MV
Var x 3/4



2332-M1
1/4 x 1/2



334-M2
1 3/32 x 2 15/16

