



Section E - Miscellaneous



McCOY MILLWORK

Custom Shop Services

For custom profiles pricing is determined by the chosen species of wood and quantity. Provide the following:

1. A sample or scale drawing of the profile.
2. Amount of moulding needed in Lineal Feet.
3. Preferred species of wood.
4. Preferred final finish (paint or stain).

Send us your information via email or come in for a quote. You can expect to hear from us regarding pricing in 2 days.

Manufacturing time varies: 2 days-2 weeks.

Profile #	Pg #	Profile #	Pg #	Profile #	Pg #	Profile #	Pg #
131-PV Shaker Cove	124	474-P1 Misc	123	773-TGV Beadboard	126	935-M1 Misc Moulding	123
184B-D2 Chair Rail	118	475-P1 Misc	122	774B-TGV T&G	126	938-M2 Misc	120
184-D2* Chair Rail	118	476-P1 Panel Mould	122	774-TGV Wainscot/Flooring	126	939-BV Ogee	125
187-D2 Chair Rail	118	477-P1 Panel Mould	122	775-TGV T&G V-Groove	126	953B-S1 Parting Bead	123
187-PV Cove	124	479-P2 Misc Mould	122	776-TGV T&G V-Groove	127	955B-M1 Misc Ogee	125
189-DV Chair Rail	119	484-C2 Misc	121	777-TG2 Bead Board	126	962-M2 Chair Rail	119
207-T3 Chair Rail	115	497-T2 Misc	120	778-TGV Wainscot	126	973A-MV Counter Edge	123
268-D2 Misc	121	500-P1* Shaker Cove	124	779-TG2 Wainscot	126	974-M2 Chair Rail	118
286B-MV Chair Rail	117	501-P1* Shaker Cove	124	780-P1* Wainscot Cap	114	977-D1 Chair Rail	117
293-D1 Chair Rail	116	531-C1 Misc/Crown	120	799-MV Floor Transition	128	977-D2 Chair Rail	118
294-D2 Wainscot Cap	114	600-M1* Cove	124	801-M2 Flooring Transition	128	979-D2 Chair Rail	118
296B-D2 Chair Rail	116	602-P1 Cove	124	802-M2 Floor Moulding	128	981B-D3 Chair Rail	118
296-D2 Chair Rail	116	607-C2 Crown/Corbel	120	803B-M2 Transition	128	981-D2 Chair Rail	118
298-D2 Chair Rail	115	680-D2 Chair Rail	118	803-D2 Chair Rail	117	981-MV Misc Mould	114
299-P1 Cove	124	700-P1 Panel Mould	114	803-MV Floor Transition	128	982-M2 Misc	120
300-P1* Cove	124	704-BV Ovolo	125	804.2-M2 Chair Rail	117	1002-DV Chair Rail	117
301-P1* Cove	124	704-P1 Ovolo	125	804-M2 Floor Mould	128	1005-D2 Chair Rail	117
323-M1 Quarter round	124	709-D2 Chair Rail	119	805-MV Floor Transition	128	1006-D2 Chair Rail	117
324-M1* Quarter Round	124	715-D2* Chair rail	116	808-D2 Chair Rail	117	1019-A1 Misc Mould	114
325-M1 Quarter Round	124	722-D2 Chair Rail	115	813-MV Base Cap	124	1034-P2 Misc	120
326-M1 Quarter Round	124	723-M2 Chair Rail	115	816-P1 Pencil Mould	120	1036-M1 Ovolo	125
333-M1 Misc Mould	123	724-P1 Misc Mould	122	820-MV Chair Rail	118	1040-M1 Edge Band	119
334-M2 Half Round	124	725-D2 Misc/Chair Rail	120	820-T2 Chair Rail	118	1050-M1 Edge Band	119
380-M1 Corner Moulding	114	733-M1 Misc	119	830-M1 Cove	119	1060-M1* Edge Band	119
382-M1 Corner Moulding	114	747-P2 Chair Rail	121	833-D2 Chair Rail	118	1070-M2 Chair Rail	119
383-M1 Corner Moulding	114	748-M2 Chair Rail	116	834-M2 Chair Rail/Misc	117	1080-M1 Edge Band	119
400-M1 Misc Mould	123	748-P2 Chair Rail	116	835-M1 Pencil Moulding	114	1081-M1 Edge Band	118
401-M1 Misc Mould	123	749-D2 Chair Rail	116	840-M1 Misc Mould	123	1082-M1 Edge Band	119
402-M1 Misc	122	752-D4* Chair Rail	115	841-M1 Misc Mould	123	1090-M1 Edge Band	119
403-M1 Crown	122	754-D3 Chair Rail	117	921-P1 Ogee Cap	125	1100-D2 Chair Rail	116
404-P1 Panel Mould	123	758-M2 Chair Rail	115	923-P1 Ogee	125	1119-T2 Chair Rail	115
430-M1 Screen Mould	123	760B-M2 Misc Moulding	122	925-M1 Misc	123	1162-M2 Edge Band	119
446-EV Ovolo	125	760-M1 Misc	122	927-M2 Misc	121	1164-M1 Edge Band	119
447-P1 Misc	122	762-M1 Misc	122	927-P1 Ogee	125	1187-D2 Chair Rail	118
450-M1 Quarter Round	124	770-TGVT&G V-groove	127	933-M1 Shingle	123	1204-C2 Misc	120
473-P2 Edgeband	119	772-TGVT&G V-Groove	127	933-M2 Crown	121	1206-BV Face Bead	124



Profile #	Pg #	Profile #	Pg #	Profile #	Pg #	Profile #	Pg #
-----------	------	-----------	------	-----------	------	-----------	------

1287-BV Misc Ogee 125
 1287X-BV Misc Ogee 125
 1316-TGV Flooring 128
 1370-D2 Chair Rail 120
 1371-D3 Wainscot Cap 114
 1401-M1 Misc Mould 123
 1402-M1 Chair Rail 119
 1404-D1 Edge Band 119
 1405-D2 Edge Band 119
 1494-DV Chair Rail 117
 1496-D2 Chair Rail 117
 1501-P1 Shaker Cove 124
 1510-C2 Misc 120
 1517-P1 Shingle 123
 1519-P1 Misc 123
 1696-M1 Astragal 123
 1698-M1 Misc 123
 1699-M1 Misc Mould 123
 1700-M1 Ovolo 125
 1701-MV Ovolo 125
 1702-M1 Ovolo 125
 1704-P1 Ovolo 125
 1711-P1 Cap/Edge Band 119
 1715B-D2 Chair Rail 116
 1715C-D1 Chair Rail 116
 1715-D2 Chair Rail 116
 1715-D3 Chair Rail 116
 1716-D2 Misc 122
 1745-P2 Chair Rail 115
 1746-D3 Chair Rail 115
 1747-D3 Wainsot Cap 114
 1760-M2 Misc 120
 1810-M2 Misc/Pict Rail 120
 1813-M2 Misc 122
 1816-D2 Chair Rail 121

S

SNW-301 Cove 124
 SNW-334 Chair Rail 118
 SNW-736 Chair Rail 117

B

BD-TG2 Bead Board 126

F

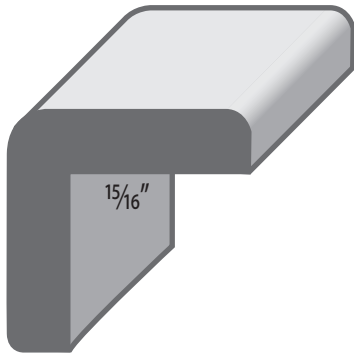
FLOOR-V T&G 128

G

GRV-TGV T&G 127

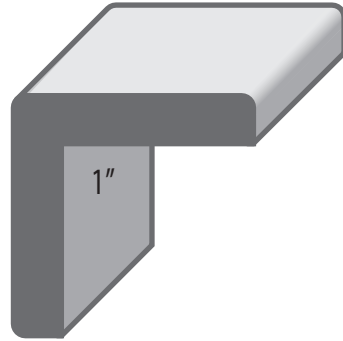
R

RAD1-TGV T&G 126



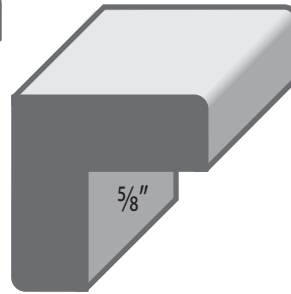
15/16"

382-M1*
1 1/4 x 1 1/4



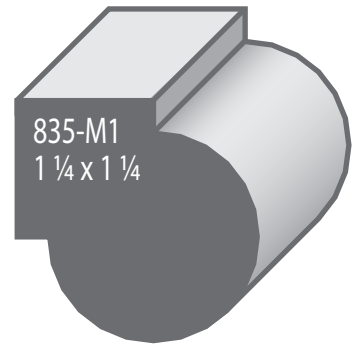
1"

383-M1
1 1/4 x 1 1/4

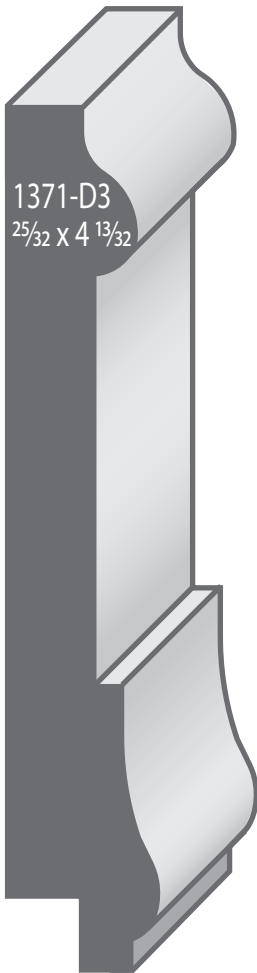


5/8"

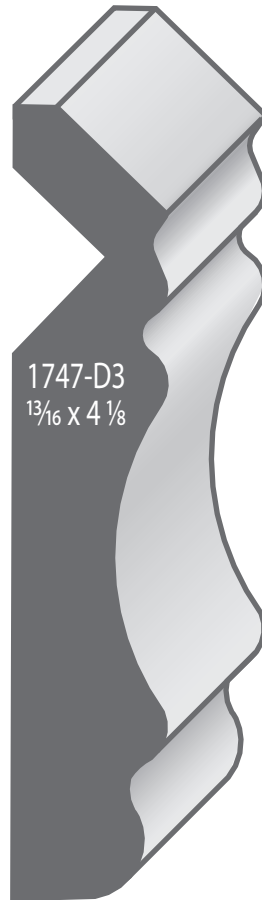
380-M1
1 x 1



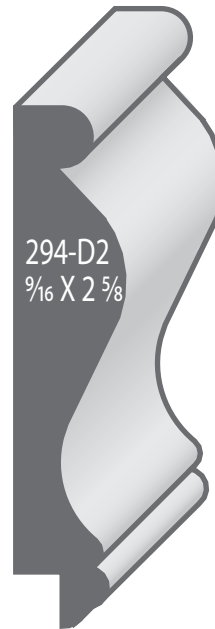
835-M1
1 1/4 x 1 1/4



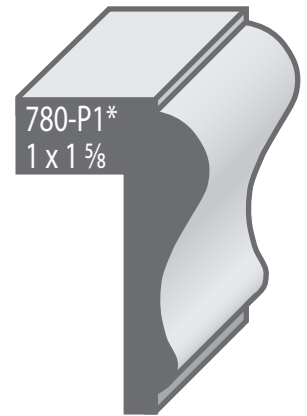
1371-D3
25/32 x 4 13/32



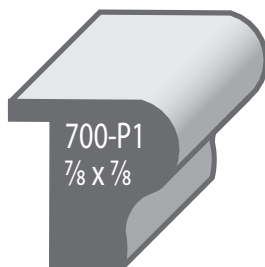
1747-D3
13/16 x 4 1/8



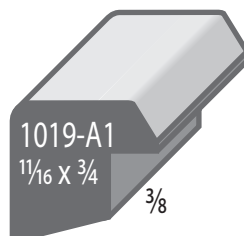
294-D2
9/16 x 2 5/8



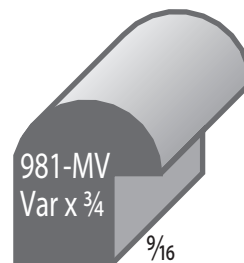
780-P1*
1 x 1 5/8



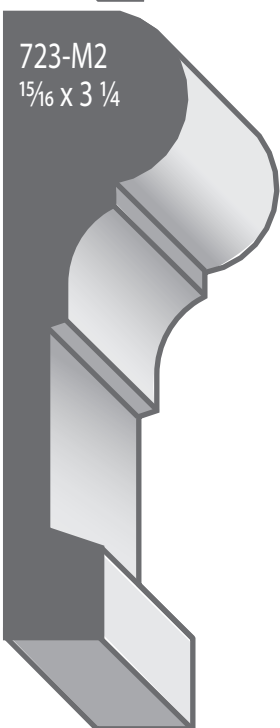
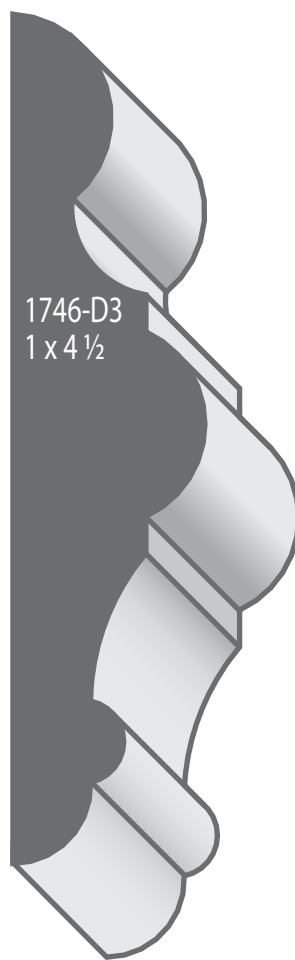
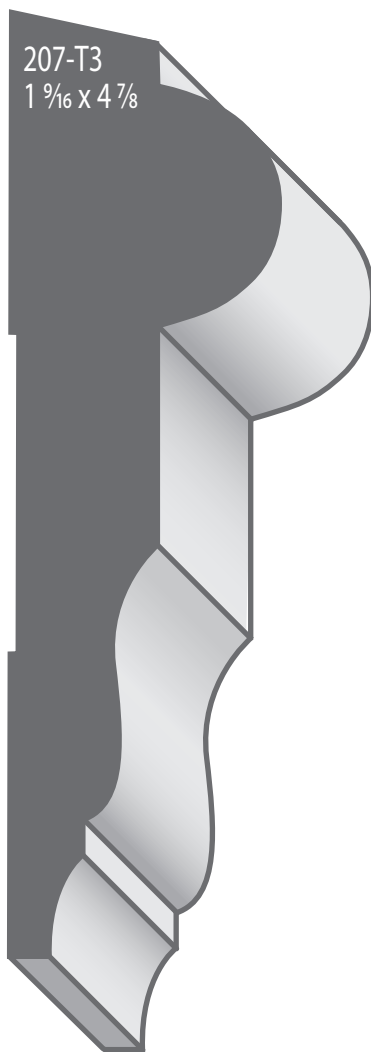
700-P1
7/8 x 7/8

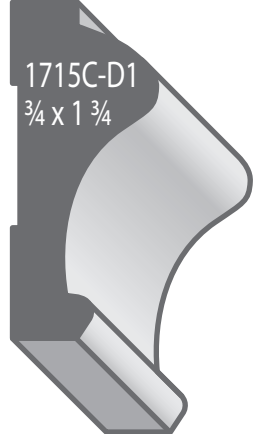
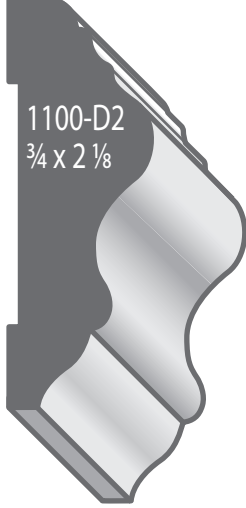
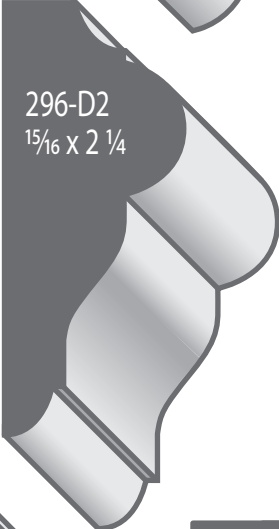
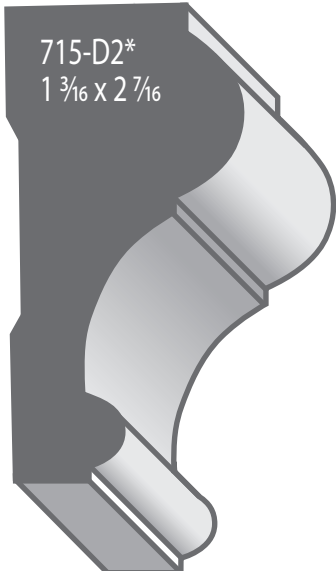
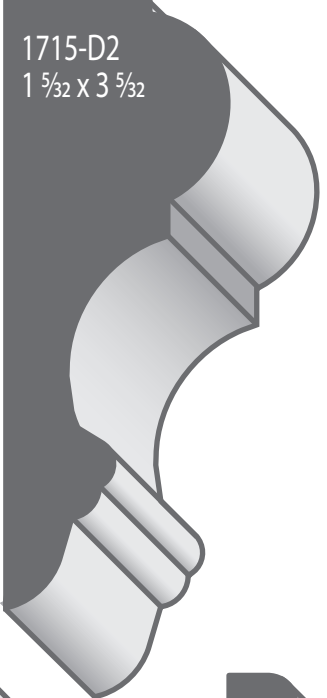


1019-A1
1 1/16 x 3/4
3/8



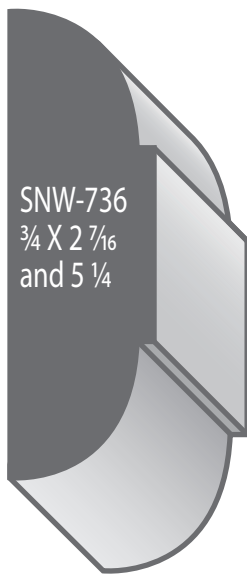
981-MV
Var x 3/4
1/16







1002-DV
 $\frac{1}{2}$ x Var



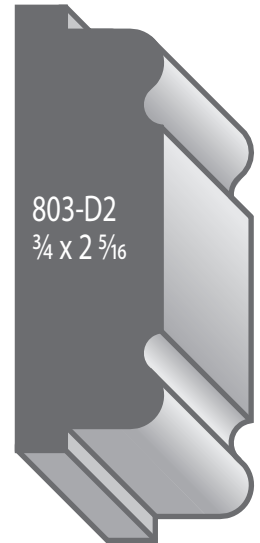
SNW-736
 $\frac{3}{4}$ X $2 \frac{7}{16}$
and $5 \frac{1}{4}$



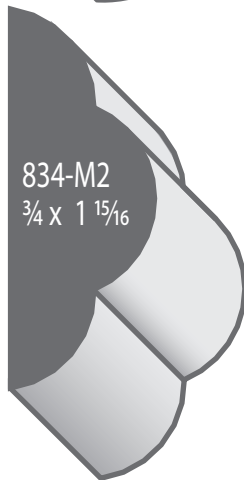
1496-D2
 $\frac{3}{4}$ x $3 \frac{1}{4}$



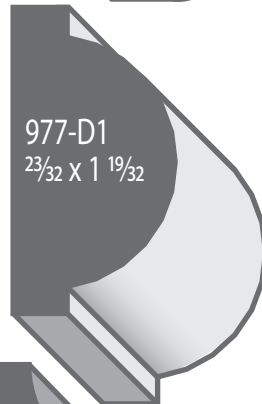
808-D2
 $\frac{3}{4}$ x $3 \frac{5}{16}$



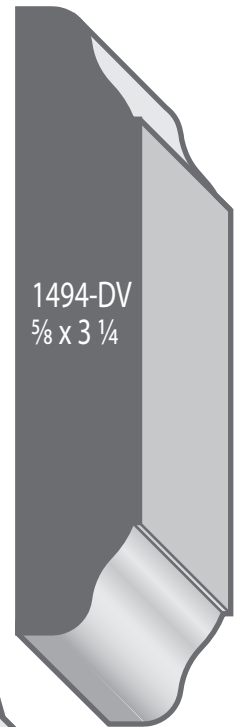
803-D2
 $\frac{3}{4}$ x $2 \frac{5}{16}$



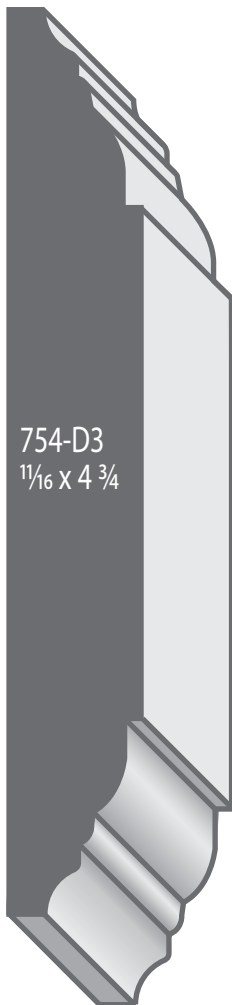
834-M2
 $\frac{3}{4}$ x $1 \frac{15}{16}$



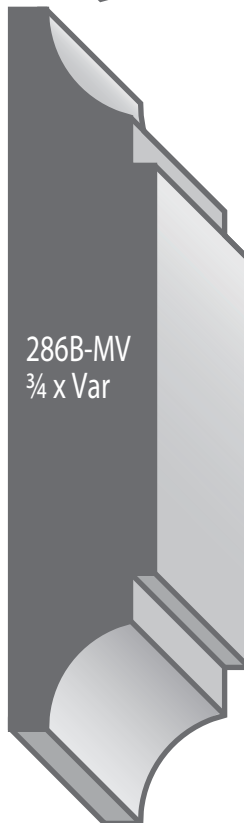
977-D1
 $2 \frac{3}{32}$ X $1 \frac{19}{32}$



1494-DV
 $\frac{5}{8}$ x $3 \frac{1}{4}$



754-D3
 $1 \frac{1}{16}$ x $4 \frac{3}{4}$



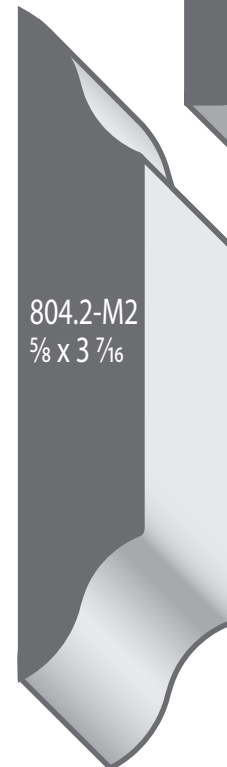
286B-MV
 $\frac{3}{4}$ x Var



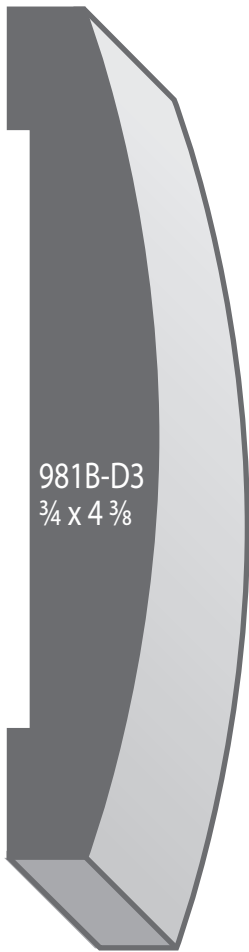
1005-D2*
 $\frac{5}{8}$ x $3 \frac{1}{2}$



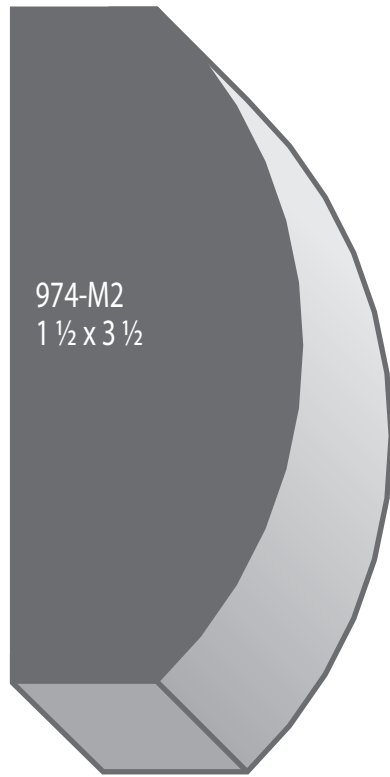
1006-D2
 $\frac{5}{8}$ x $2 \frac{3}{16}$



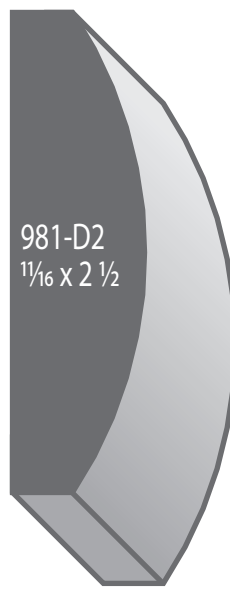
804.2-M2
 $\frac{5}{8}$ x $3 \frac{7}{16}$



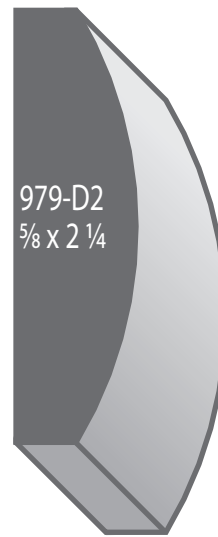
981B-D3
3/4 x 4 3/8



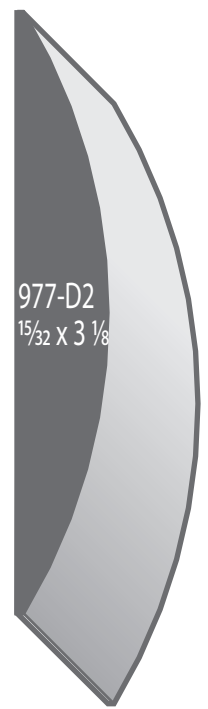
974-M2
1 1/2 x 3 1/2



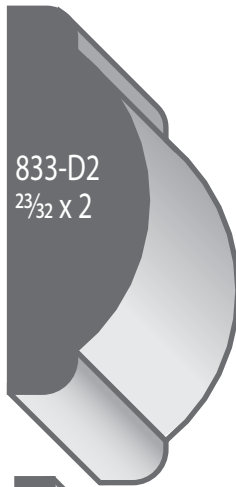
981-D2
1 1/16 x 2 1/2



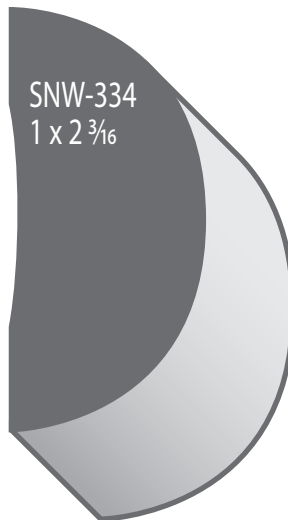
979-D2
5/8 x 2 1/4



977-D2
15/32 x 3 1/8



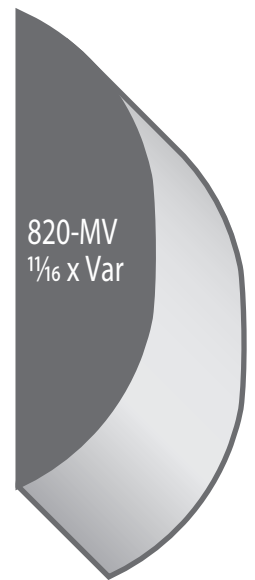
833-D2
23/32 x 2



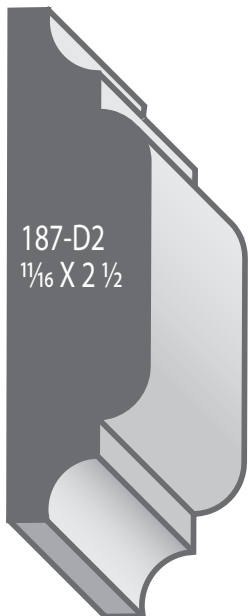
SNW-334
1 x 2 3/16



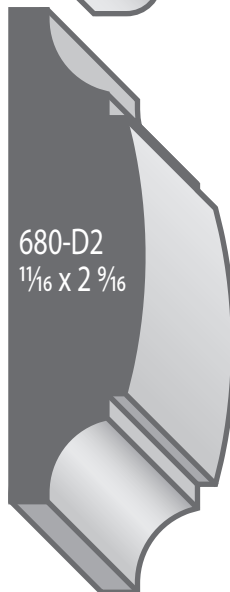
820-T2
3/4 x 2 1/8



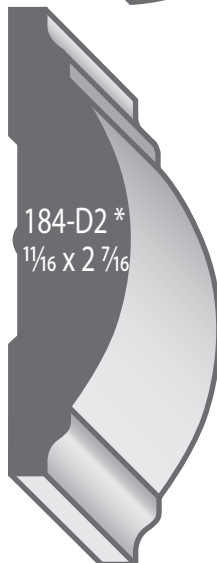
820-MV
1 1/16 x Var



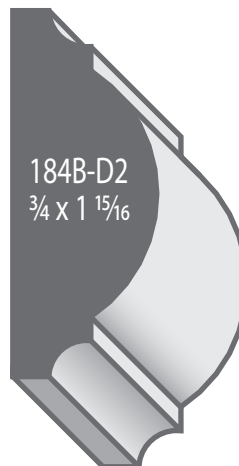
187-D2
1 1/16 x 2 1/2



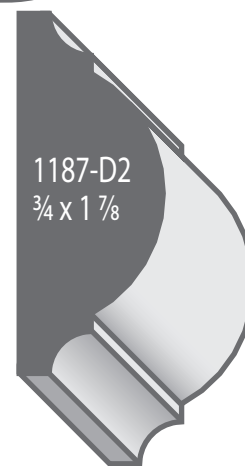
680-D2
1 1/16 x 2 9/16



184-D2 *
1 1/16 x 2 7/16



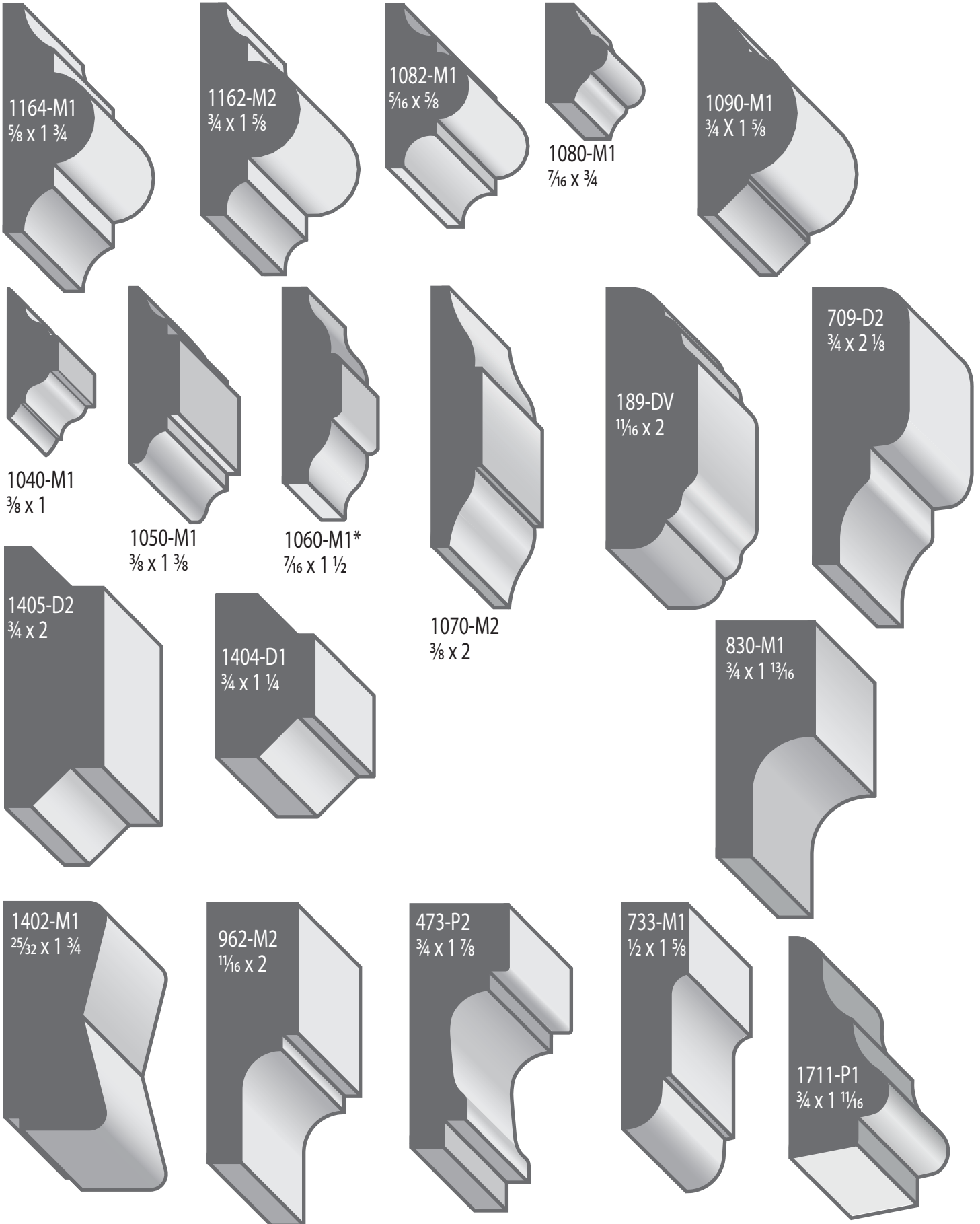
184B-D2
3/4 x 1 15/16

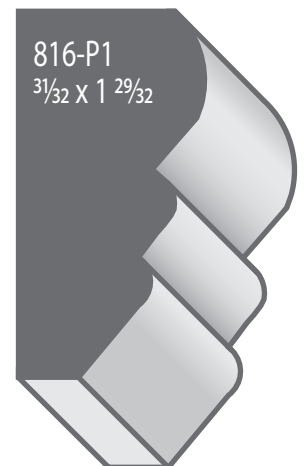
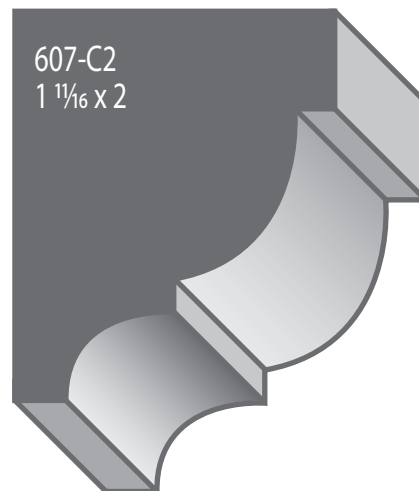
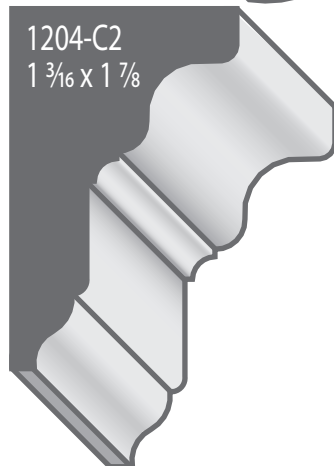
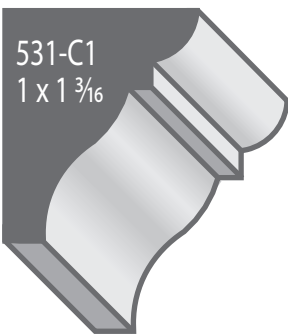
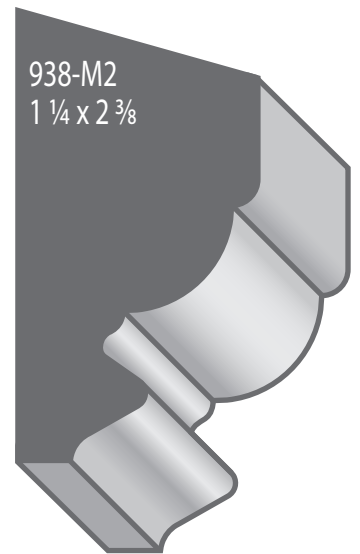
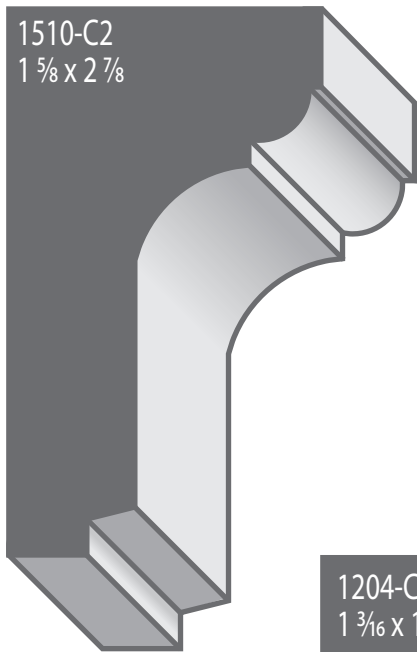
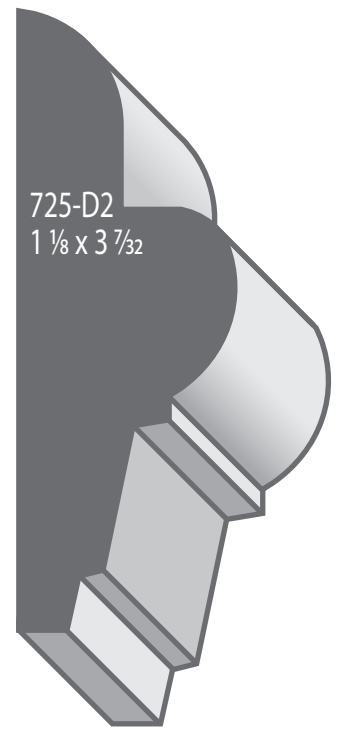
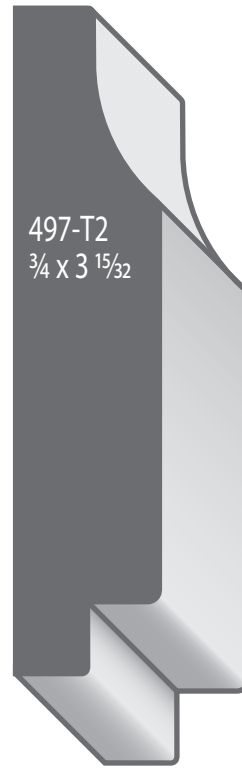


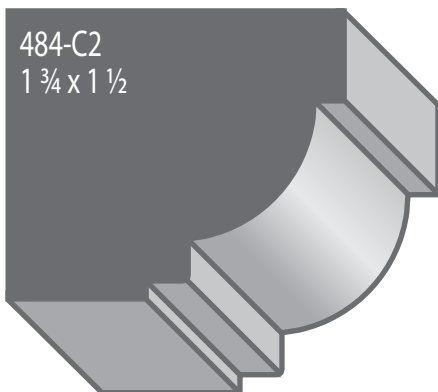
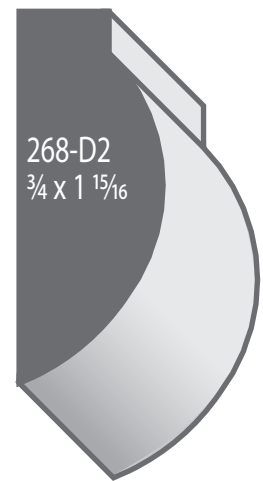
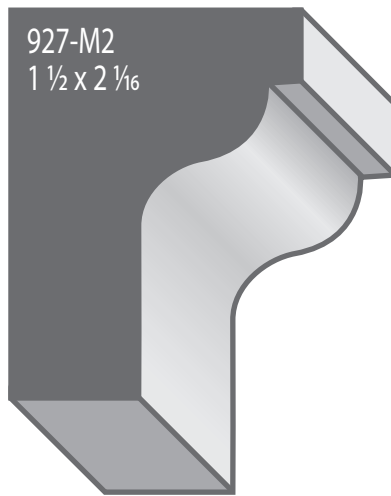
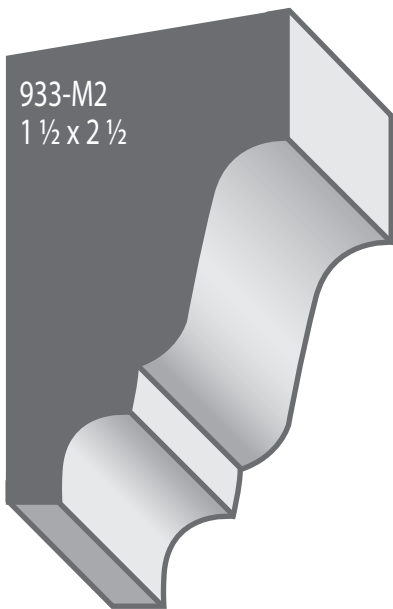
1187-D2
3/4 x 1 7/8

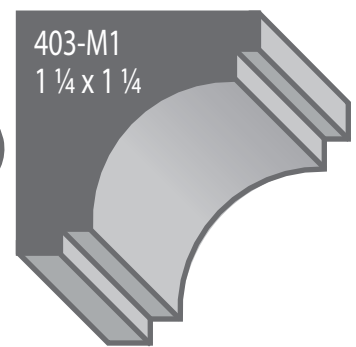
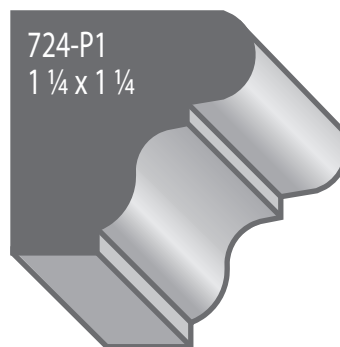
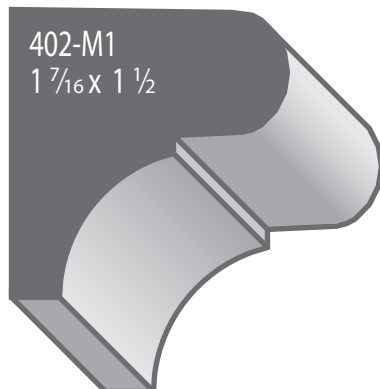
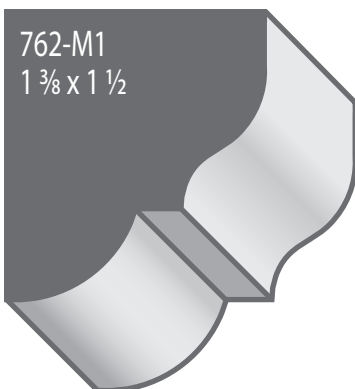
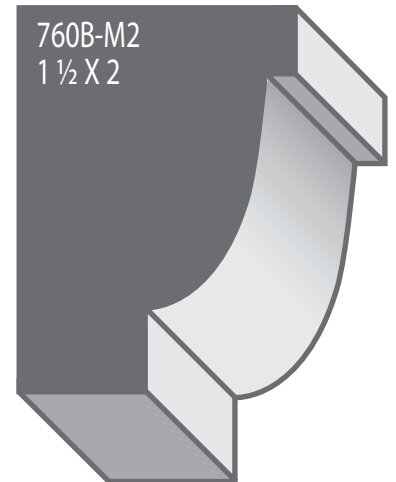
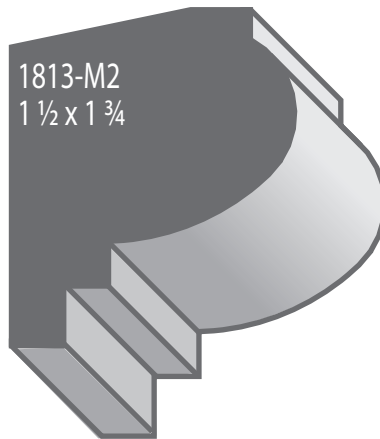
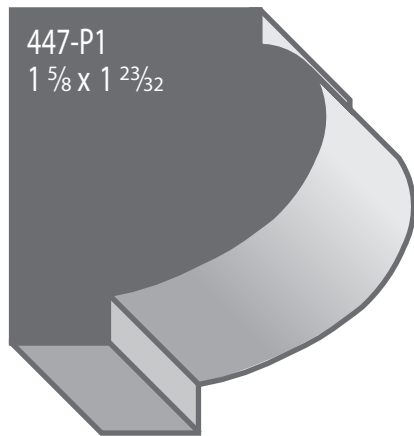
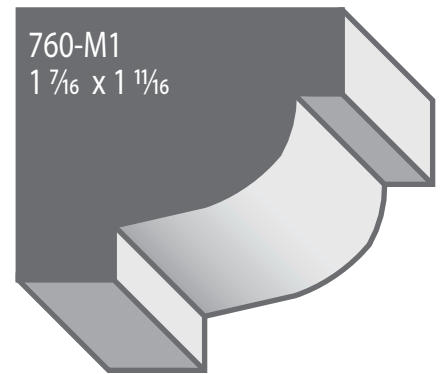
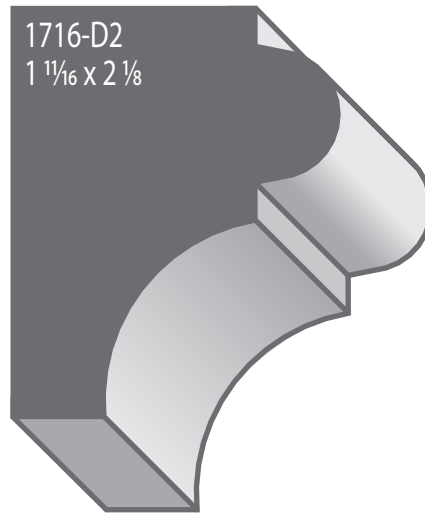
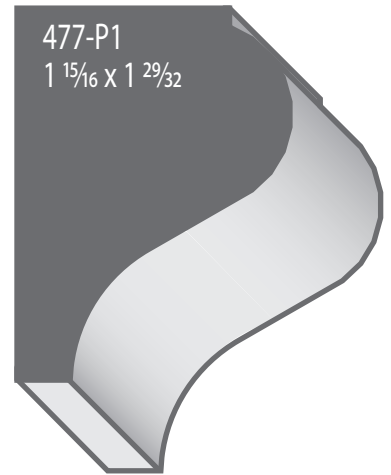
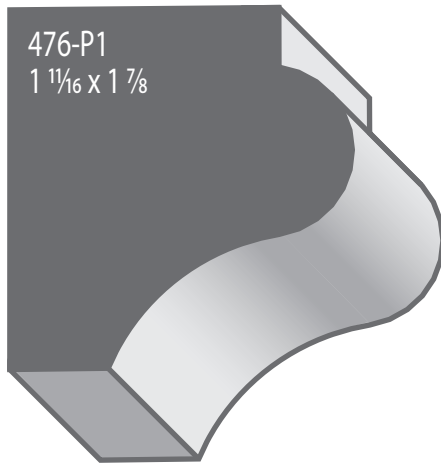
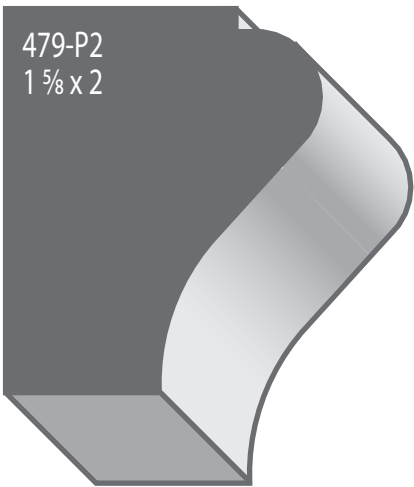


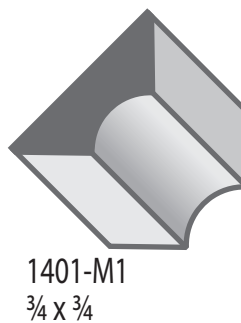
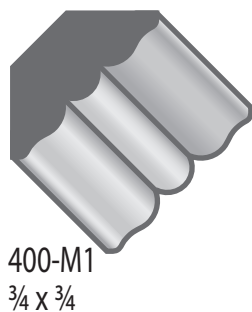
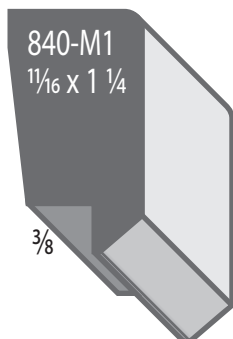
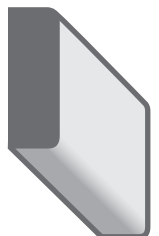
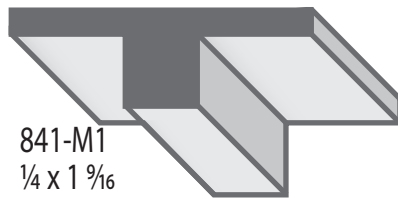
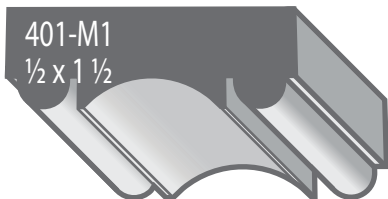
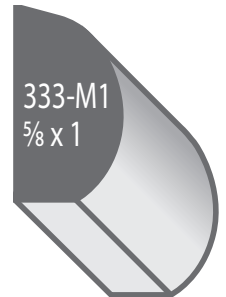
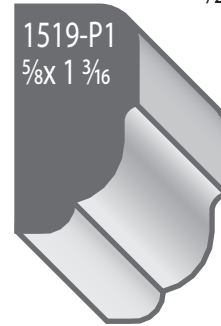
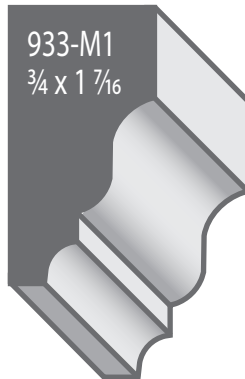
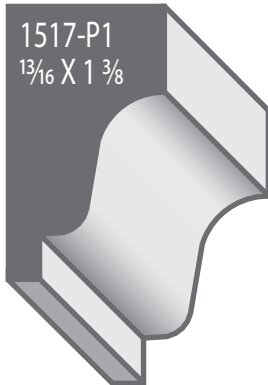
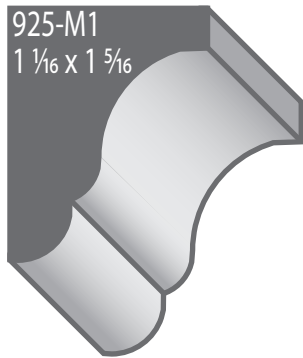
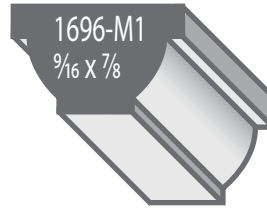
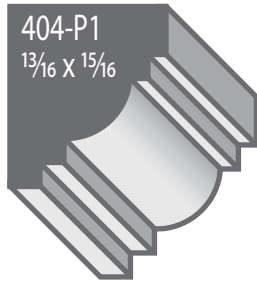
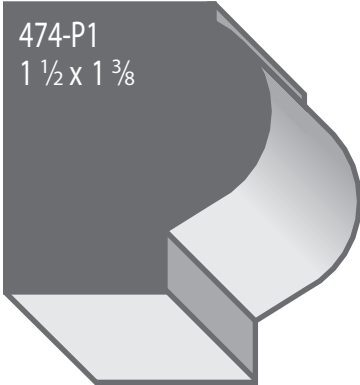
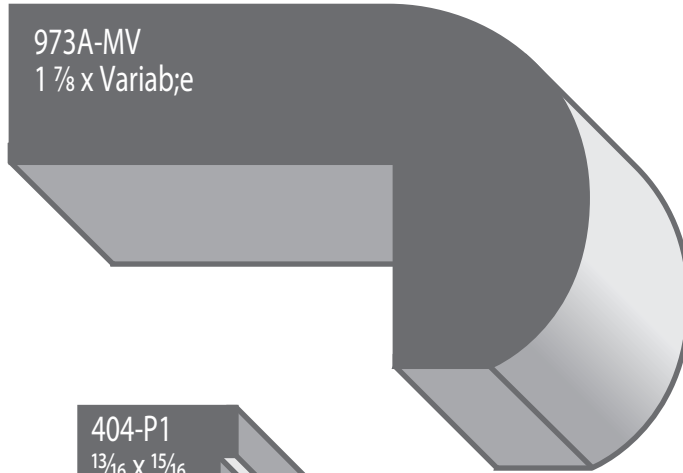
1081-M1
3/8 x 1

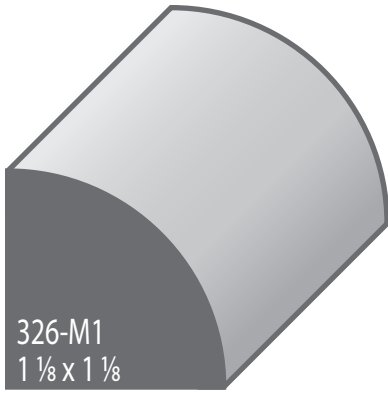




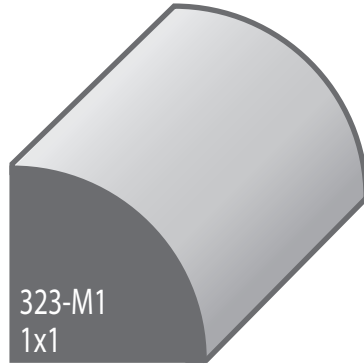




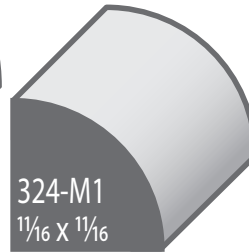




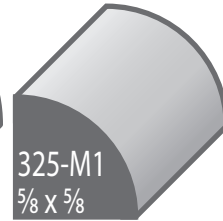
326-M1
1 1/8 x 1 1/8



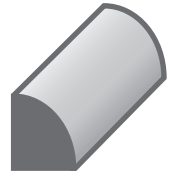
323-M1
1x1



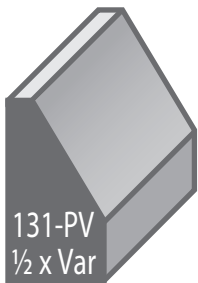
324-M1
1 1/16 x 1 1/16



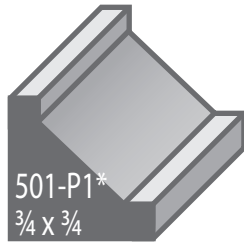
325-M1
5/8 x 5/8



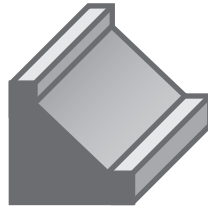
450-M1
5/16 x 3/8



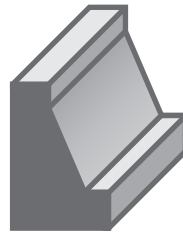
131-PV
1/2 x Var



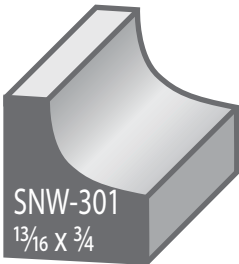
501-P1*
3/4 x 3/4



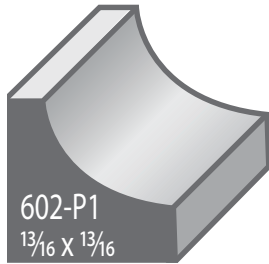
500-P1*
5/8 x 5/8



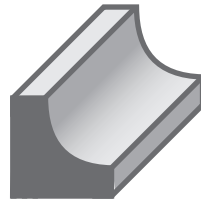
1501-P1
1/2 x 3/4



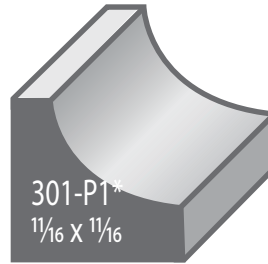
SNW-301
13/16 x 3/4



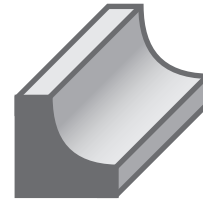
602-P1
13/16 x 13/16



600-M1*
1/2 x 1/2



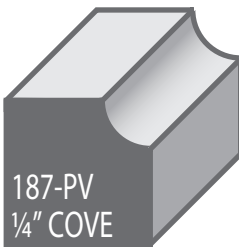
301-P1*
1 1/16 x 1 1/16



300-P1*
1/2 x 1/2



299-P1
1/4 x 1/4



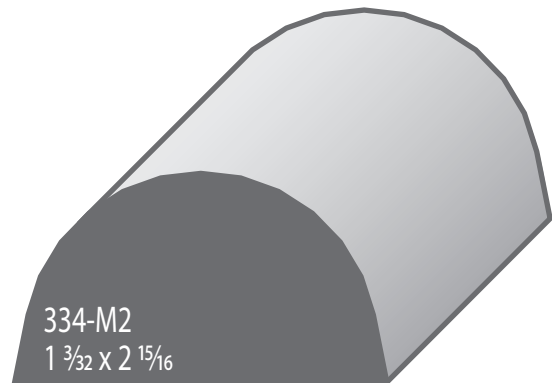
187-PV
1/4" COVE



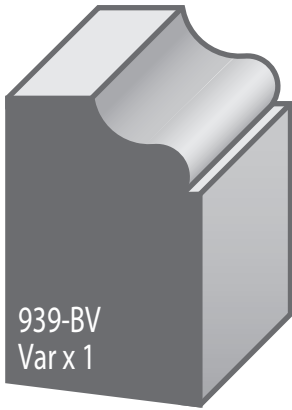
1206-BV
7/32 face
bead and
rabbet



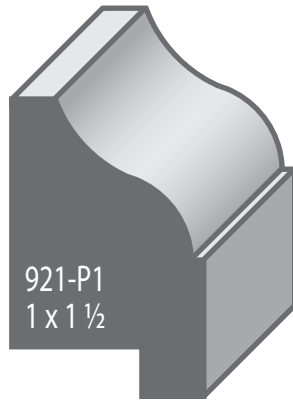
813-MV
Var x 3/4



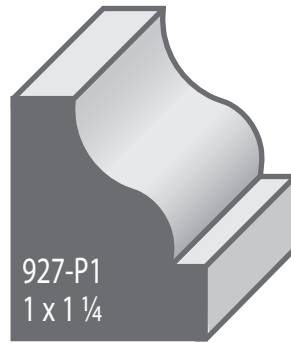
334-M2
1 3/32 x 2 15/16



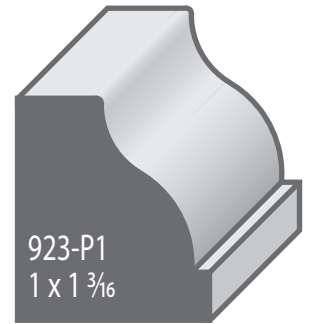
939-BV
Var x 1



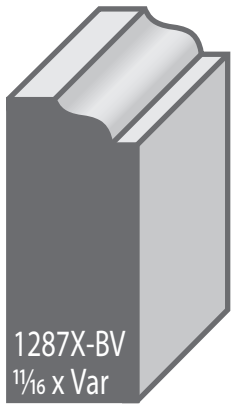
921-P1
1 x 1 1/2



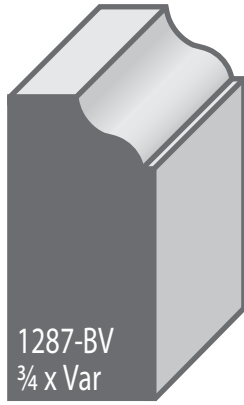
927-P1
1 x 1 1/4



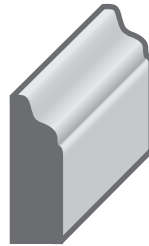
923-P1
1 x 1 3/16



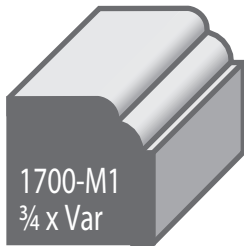
1287X-BV
1 1/16 x Var



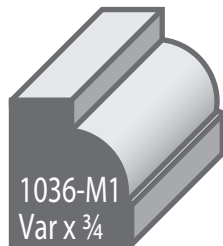
1287-BV
3/4 x Var



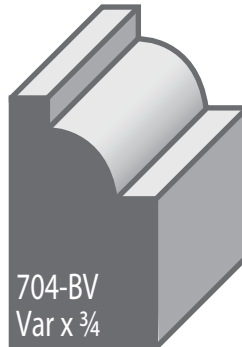
955B-M1
1/4 x 3/4



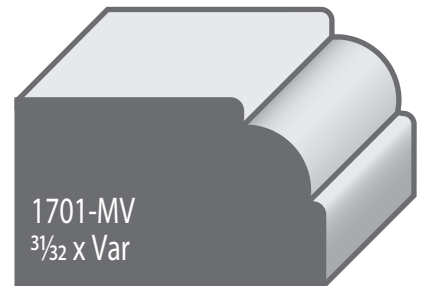
1700-M1
3/4 x Var



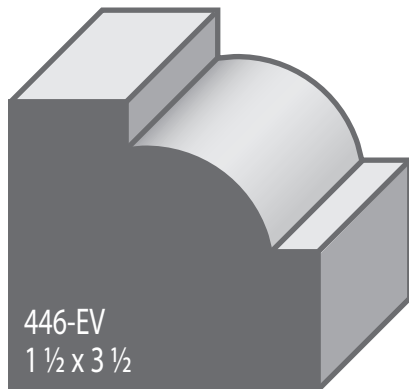
1036-M1
Var x 3/4



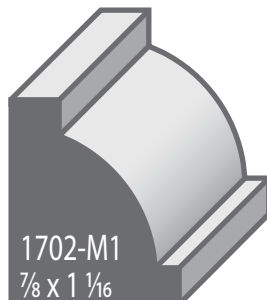
704-BV
Var x 3/4



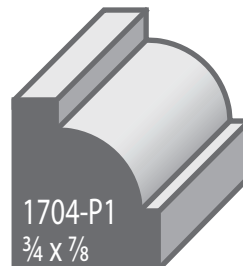
1701-MV
3 1/32 x Var



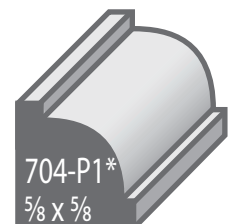
446-EV
1 1/2 x 3 1/2



1702-M1
7/8 x 1 1/16



1704-P1
3/4 x 7/8



704-P1*
5/8 x 5/8



BD-TG2
3/4 x 3 9/16



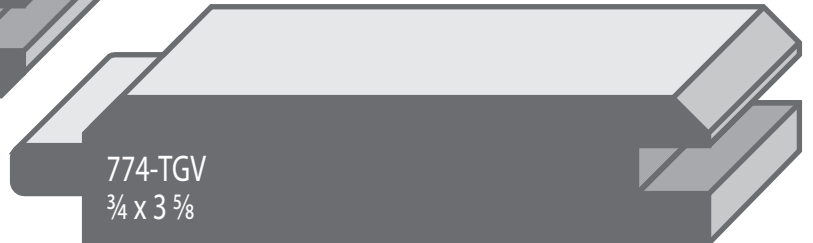
RAD1-TGV
3/4 x Variable



774B-TGV
1 1/16 x Variable



773-TGV
1 1/16 x 3 7/16



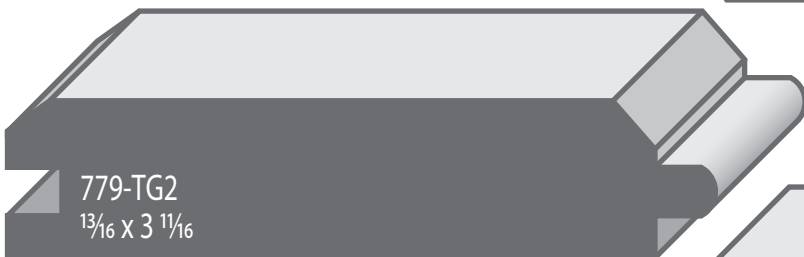
774-TGV
3/4 x 3 5/8



775-TGV
1 1/16 x variable



777-TG2
9/16 x 3 1/4



779-TG2
1 3/16 x 3 11/16



778-TGV
3/4 x 3 7/8

