



Section E - Miscellaneous



McCOY MILLWORK

Custom Shop Services

For custom profiles pricing is determined by the chosen species of wood and quantity. Provide the following:

1. A sample or scale drawing of the profile.
2. Amount of moulding needed in Lineal Feet.
3. Preferred species of wood.
4. Preferred final finish (paint or stain).

Send us your information via email or come in for a quote. You can expect to hear from us regarding pricing in 2 days.

Manufacturing time varies: 2 days-2 weeks.

Profile #	Pg #	Profile #	Pg #	Profile #	Pg #	Profile #	Pg #
131 PV Shaker Cove	108	479 P2 Misc Mould	106	780 P1* Wainscot Cap	99	1006 D2 Chair Rail	102
184b D2 Chair Rail	103	484 C2 Misc	106	799 MV Floor Transition	112	1019 A1 Misc Mould	107
184 D2* Chair Rail	103	497 T2 Misc	105	802 M2 Floor Moulding	112	1034 P2 Misc	105
187 D2 Chair Rail	102	500 P1* Shaker Cove	108	803 D2 Chair Rail	102	1036 M1 Ovolo	109
187 PV Cove	108	501 P1* Shaker Cove	108	803 MV Floor Transition	112	1040 M1 Edge Band	104
189 DV Chair Rail	104	523 M1 Shingle	104	804.2 M2 Chair Rail	102	1050 M1 Edge Band	104
268 D2 Misc	103	531 C1 Misc/Crown	105	804 M2 Floor Mould	112	1060 M1* Edge Band	104
286 MV Chair Rail	102	600 M1* Cove	108	805 MV Floor Transition	112	1070 M2 Chair Rail	104
294 D2 Wainscot Cap	99	602 P1 Cove	108	808 D2 Chair Rail	102	1080 M1 Edge Band	104
296 D2 Chair Rail	101	607 C2 Crown/Corbel	105	813 MV Base Cap	107	1081 M1 Edge Band	103
298 D2 Chair Rail	100	680 D2 Chair Rail	103	816 P1 Pencil Mould	105	1082 M1 Edge Band	104
299 P1 Cove	108	700 P1 Panel Mould	107	820 MV Chair Rail	103	1090 M1 Edge Band	104
300 P1* Cove	108	704 BV Ovolo	109	830 M1 Cove	104	1100-D2 Chair Rail	101
301 P1* Cove	108	704 P1 Ovolo	109	833 D2 Chair Rail	103	1119 T2 Chair Rail	100
323 M1 Quarter round	108	715 D2* Chair rail	100	834 M2 Chair Rail/Misc	103	1162 M2 Edge Band	104
324 M1* Quarter Round	108	722 D2 Chair Rail	102	835 M1 Pencil Moulding	99	1164 M1 Edge Band	104
325 M1 Quarter Round	108	723 M2 Ogee	100	840 M1 Misc Mould	107	1187 D2 Chair Rail	103
326 M1 Quarter Round	108	724 P1 Misc Mould	106	841 M1 Misc Mould	107	1204 C2 Misc	105
333 M1 Misc Mould	107	725 D2 Misc/Chair Rail	105	923 P1 Ogee	107	1206 BV Face Bead	109
334 M2 Half Round	109	732 MV Ogee	107	925 M1 Misc	106	1287 BV Ogee	107
380 M1 Corner Moulding	99	733 M1 Misc	104	927 P1 Ogee	107	1316 TGV Flooring	112
382 M1 Corner Moulding	99	748 P2 Chair Rail	101	933 M1 Shingle	107	1370 D2 Chair Rail	105
383 M1 Corner Moulding	99	749 P2 Chair Rail	100	935 M1 Misc Moulding	107	1371 D3 Wainscot Cap	99
400 M1 Misc Mould	107	752 D4* Chair Rail	100	937 BV Ogee	107	1401 M1 Misc Mould	108
401 M1 Misc Mould	107	754 D3 Chair Rail	102	938 M2 Misc	105	1402 M1 Misc	104
402 M1 Misc	106	760 M1 Misc	106	939 BV Ogee	107	1494 DV Chair Rail	102
403 M1 Crown	106	762 M1 Misc	106	962 M2 Chair Rail	104	1496 D2 Chair Rail	102
404 P1 Panel Mould	107	770 TGVT&G V-groove	111	974 M2 Chair Rail	103	1501 P1 Shaker Cove	108
430 M1 Screen Mould	107	772 TGVT&G V-Groove	111	977 D1 Chair Rail	104	1510 C2 Misc	105
446 EV Ovolo	109	773 TGV Beadboard	110	977 D2 Chair Rail	103	1517 P1 Shingle	107
447 P1 Misc	106	774 TGV Wainscot/Flooring	110	979 D2 Chair Rail	103	1519 P1 Misc	107
450 M1 Quarter Round	108	775 TGVT&G V-Groove	110	981 D2 Chair Rail	103	1697 MV Misc	107
473 P2 Edgeband	104	776 TGV T&G V-Groove	111	981 MV Misc Mould	107	1698 M1 Misc	107
474 P1 Misc	107	777 TG2 Bead Board	110	982 M2 Misc	105	1699 M1 Misc Mould	107
476 P1 Panel Mould	106	778 TGV Wainscot	110	1002 DV Chair Rail	102	1700 M1 Ovolo	109
477 P1 Panel Mould	106	779 TG2 Wainscot	110	1005 D2 Chair Rail	102	1701 MV Ovolo	109



Profile #	Pg #	Profile #	Pg #	Profile #	Pg #	Profile #	Pg #
-----------	------	-----------	------	-----------	------	-----------	------

1702 M1 Ovolo 109
1704 P1 Ovolo 109
1715B-D2 Chair Rail 101
1715 D2 Chair Rail 100
1716 D2 Misc 106
1745 P2 Chair Rail 100
1746 D3 Chair rail 100
1747 D3 Wainsot Cap 99
1760 M2 Misc 105
1810 M2 Misc/Pict Rail 105
1813 M2 Misc 106
1816 D2 Chair Rail 101

B

BDTG2 Bead Board 110

F

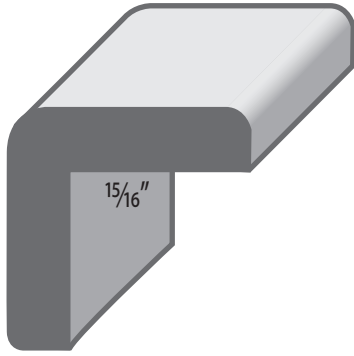
FLOORV T&G 112

G

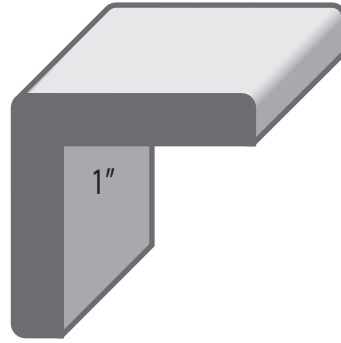
GRVTGV T&G 110

R

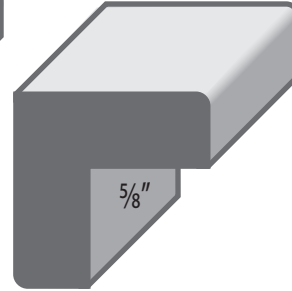
RAD1 TGV T&G 110



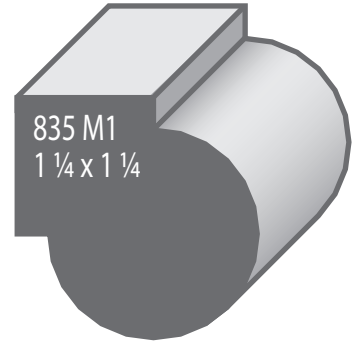
382 M1*
1 1/4 x 1 1/4



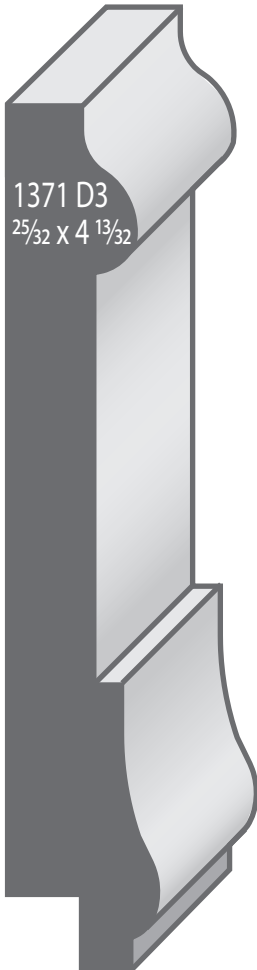
383 M1
1 1/4 x 1 1/4



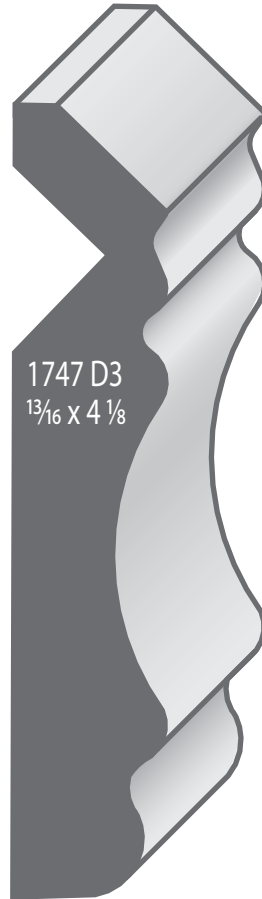
380 M1
1 x 1



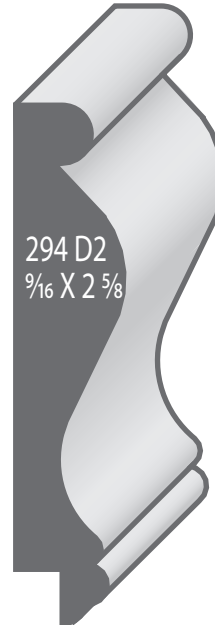
835 M1
1 1/4 x 1 1/4



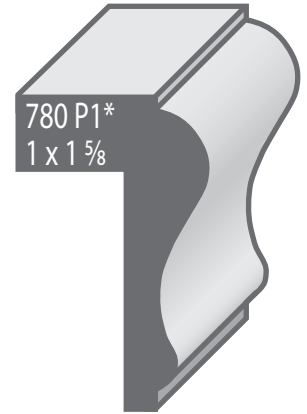
1371 D3
25/32 X 4 13/32



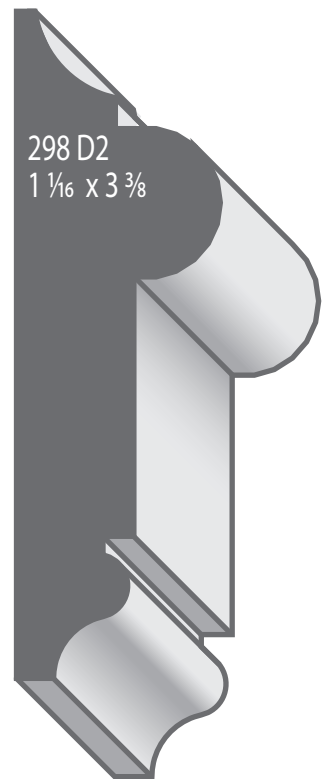
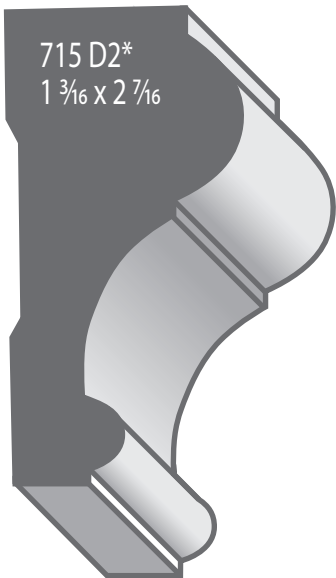
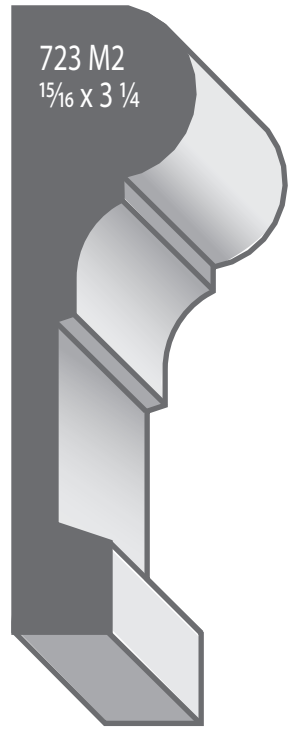
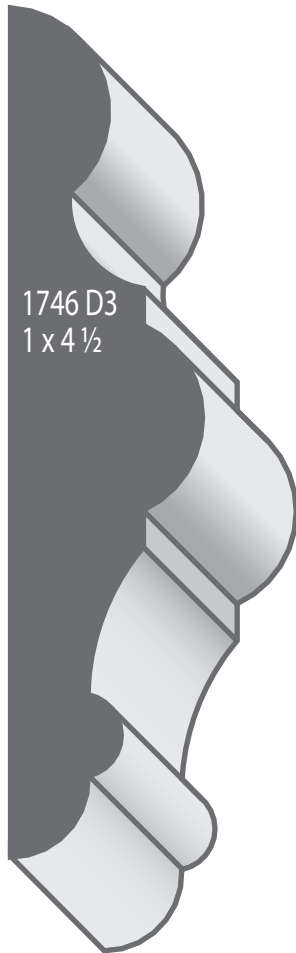
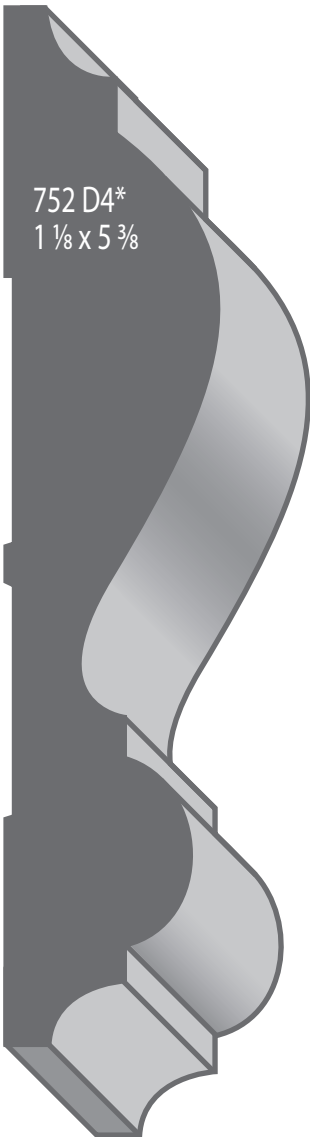
1747 D3
13/16 X 4 1/8

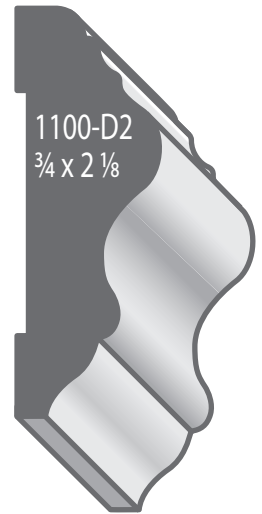
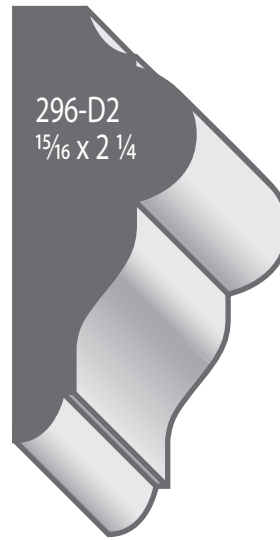


294 D2
9/16 X 2 5/8



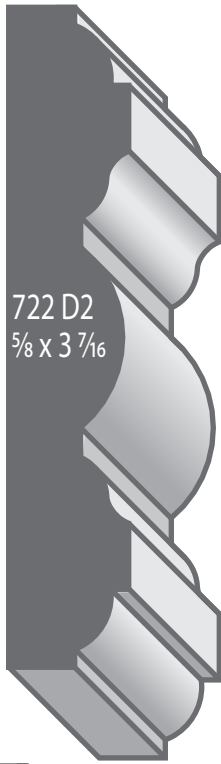
780 P1*
1 x 1 5/8



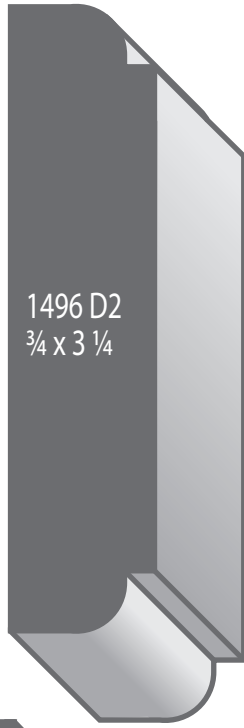




1002 DV
1/2 x Var



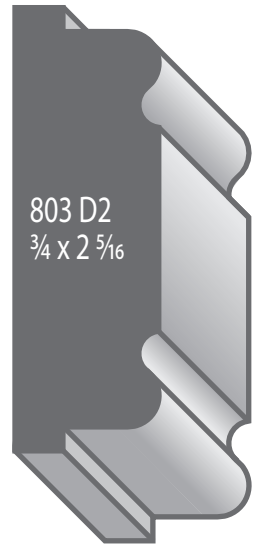
722 D2
5/8 x 3 7/16



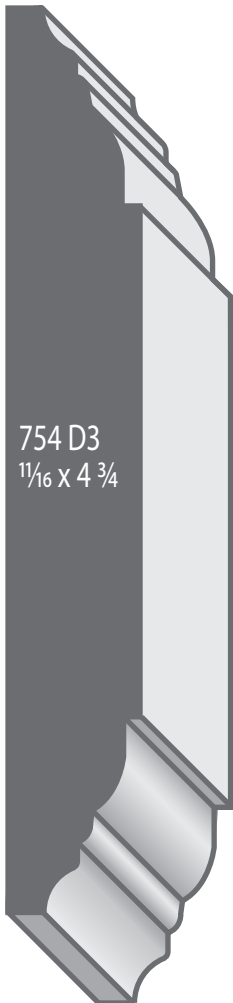
1496 D2
3/4 x 3 1/4



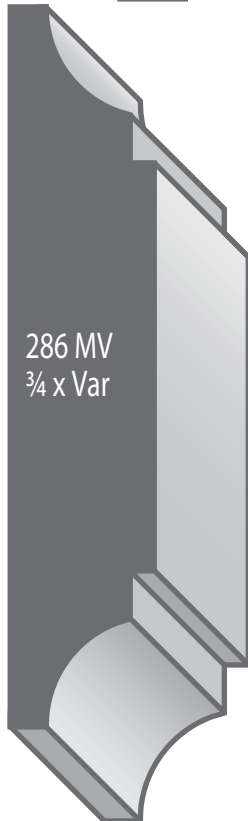
808 D2
3/4 x 3 5/16



803 D2
3/4 x 2 5/16



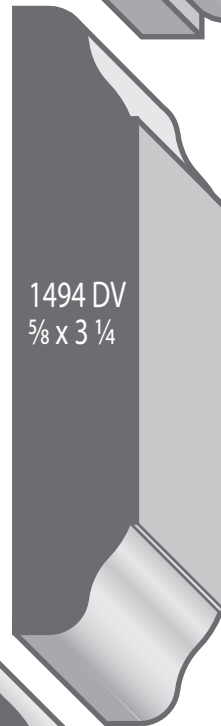
754 D3
1 1/16 x 4 3/4



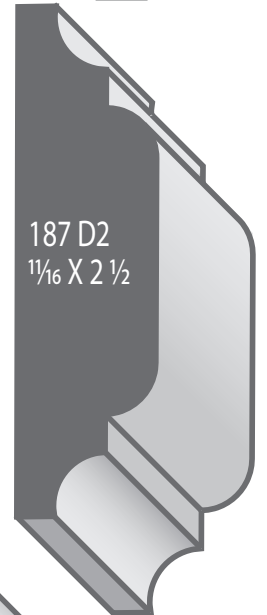
286 MV
3/4 x Var



1005 D2*
5/8 x 3 1/2



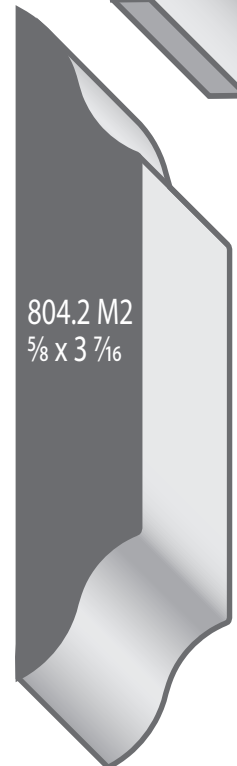
1494 DV
5/8 x 3 1/4



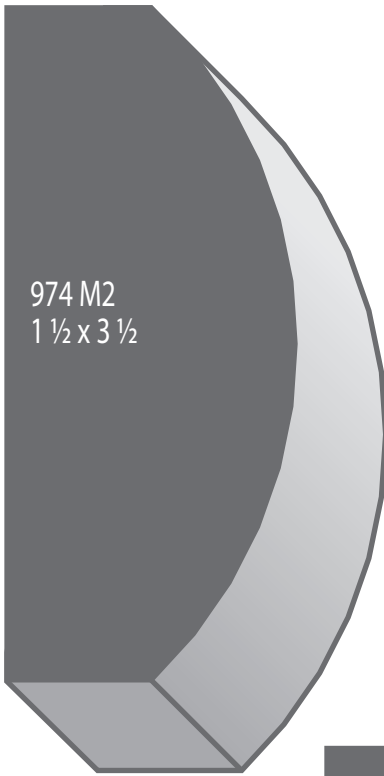
187 D2
1 1/16 x 2 1/2



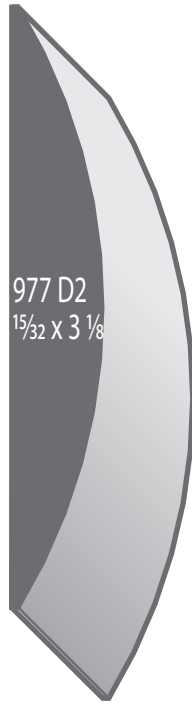
1006 D2
5/8 x 2 3/16



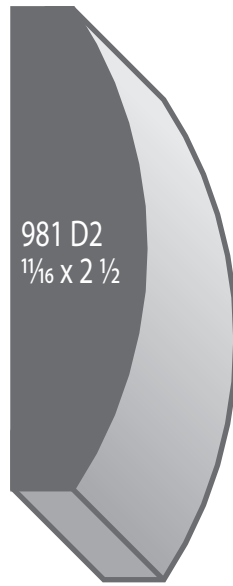
804.2 M2
5/8 x 3 7/16



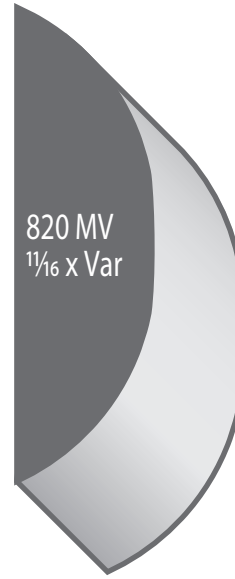
974 M2
1 1/2 x 3 1/2



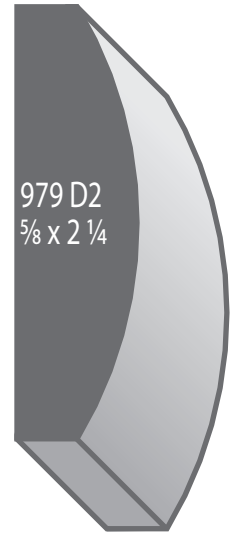
977 D2
1 5/32 x 3 1/8



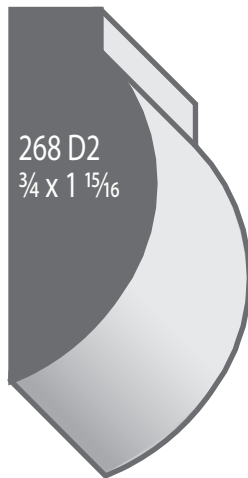
981 D2
1 1/16 x 2 1/2



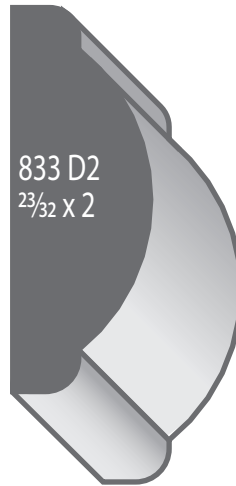
820 MV
1 1/16 x Var



979 D2
5/8 x 2 1/4



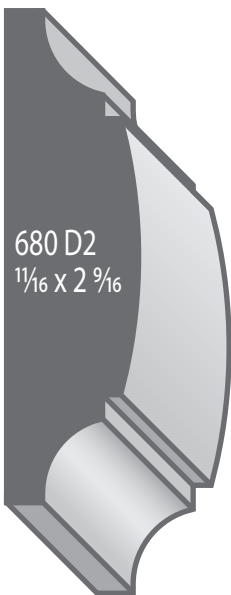
268 D2
3/4 x 1 15/16



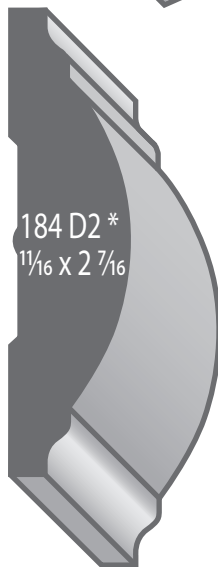
833 D2
2 3/32 x 2



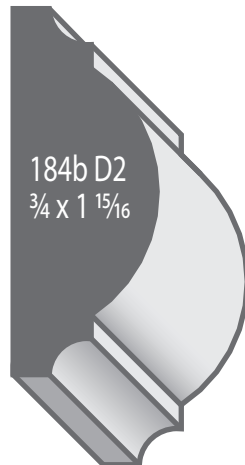
834 M2
3/4 x 1 15/16



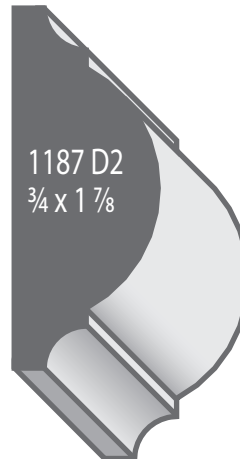
680 D2
1 1/16 x 2 9/16



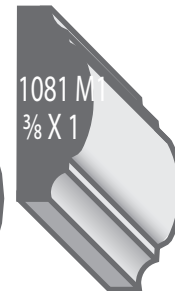
184 D2 *
1 1/16 x 2 7/16



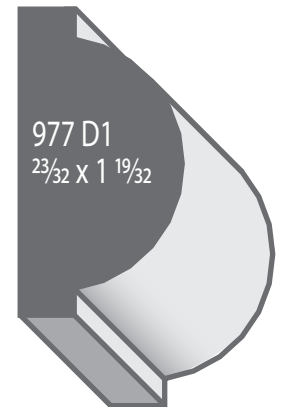
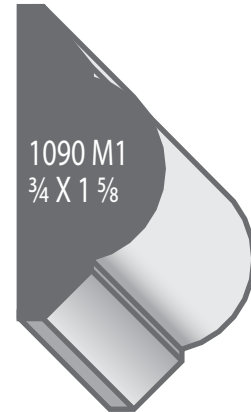
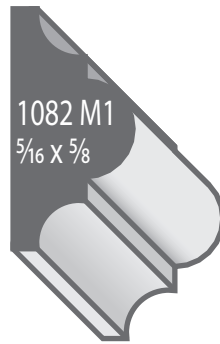
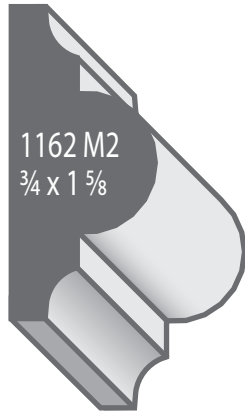
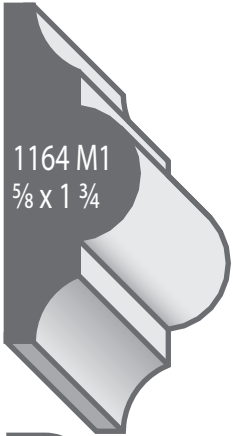
184b D2
3/4 x 1 15/16

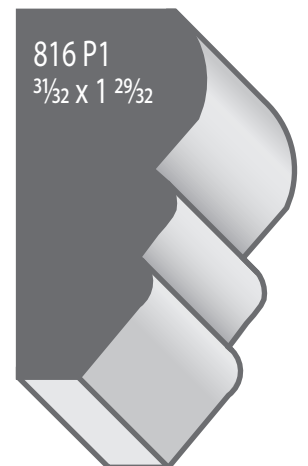
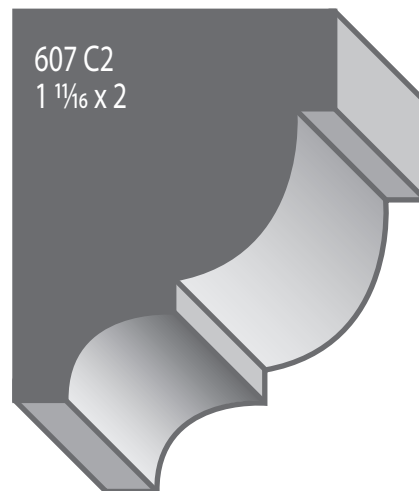
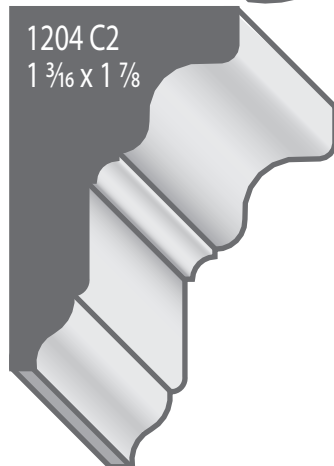
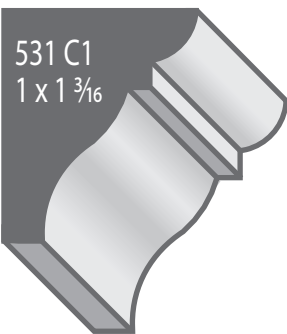
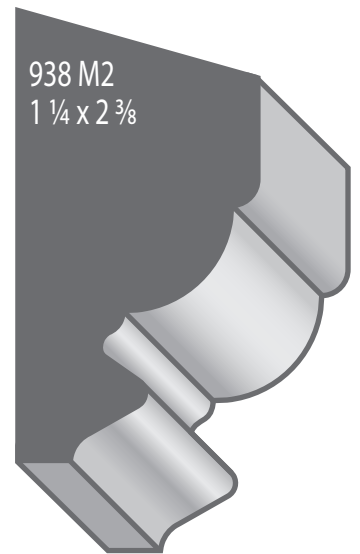
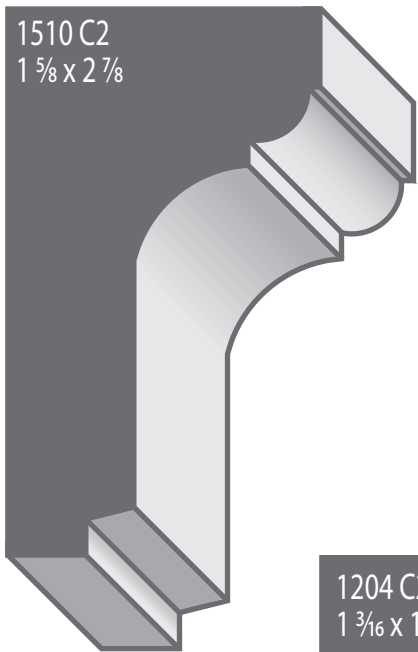
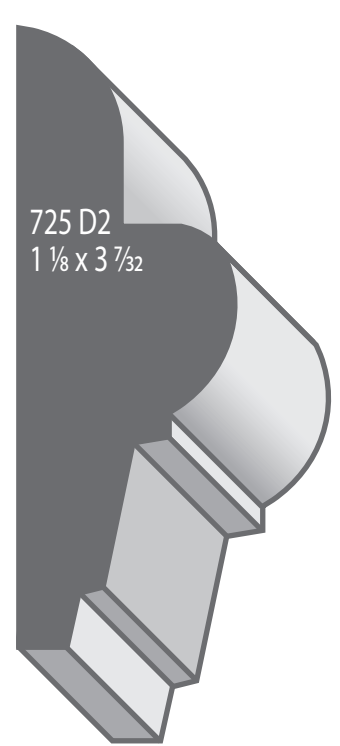
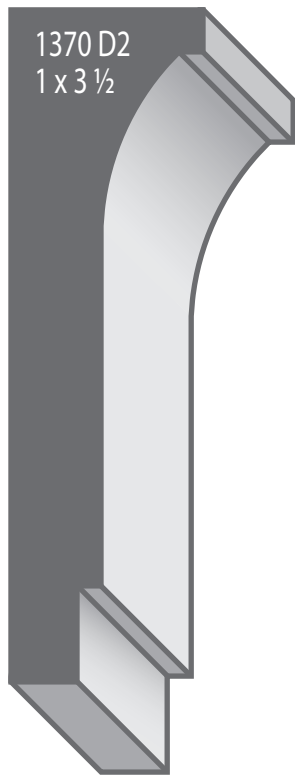


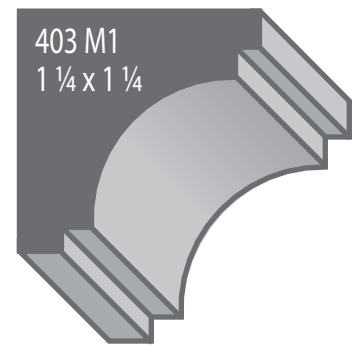
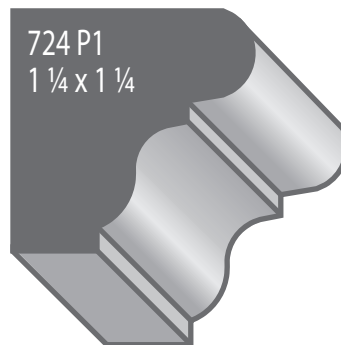
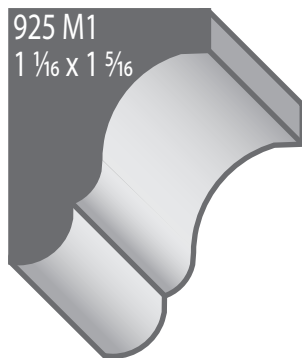
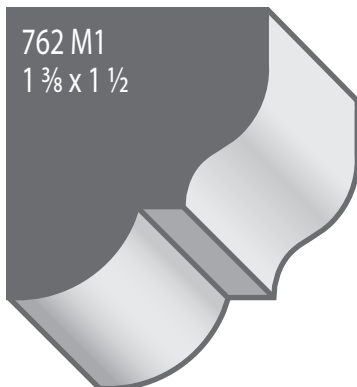
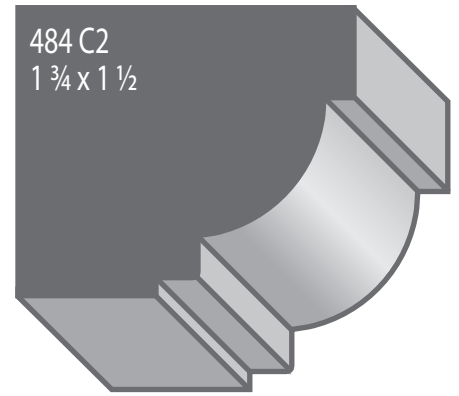
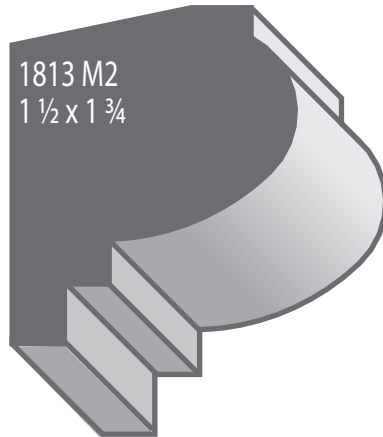
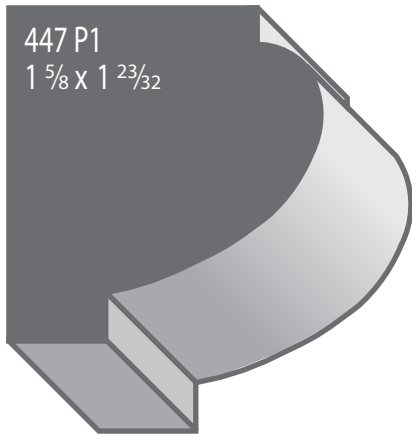
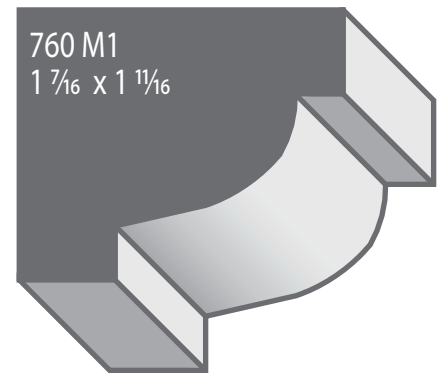
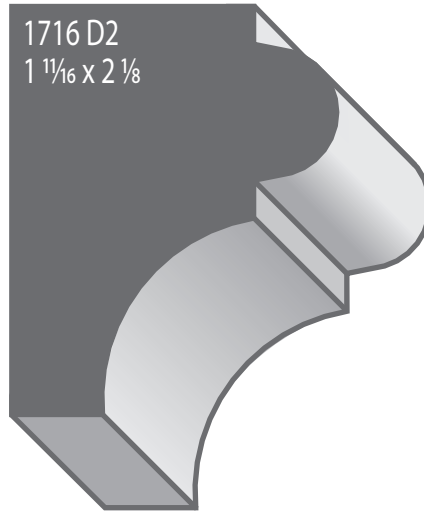
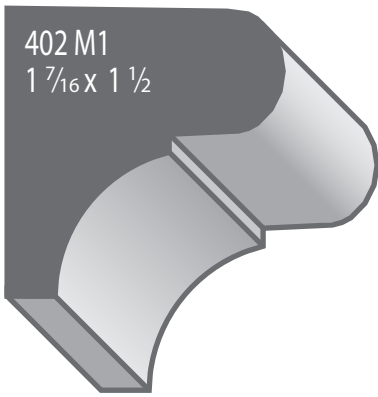
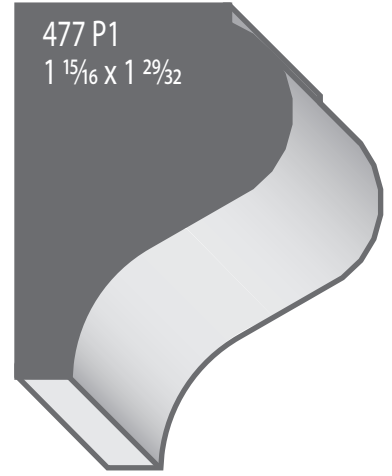
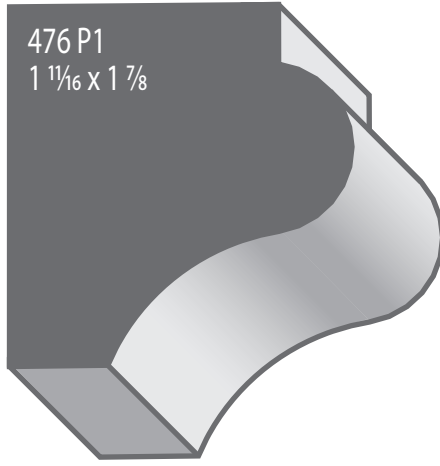
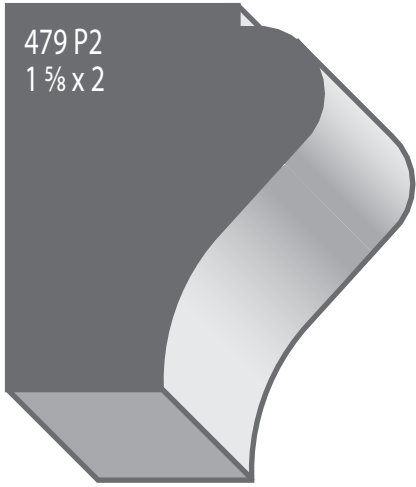
1187 D2
3/4 x 1 7/8

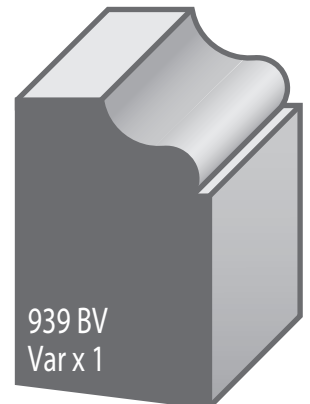
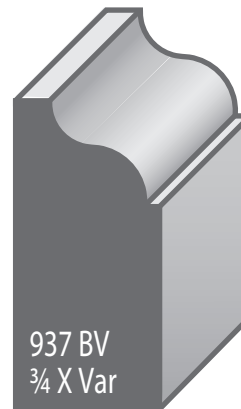
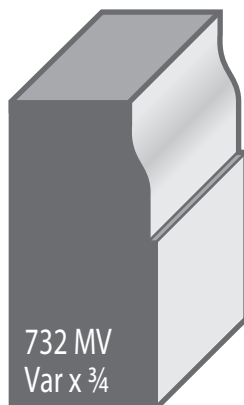
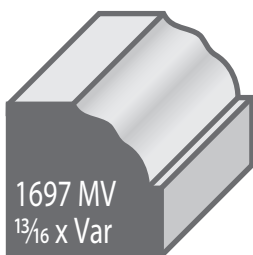
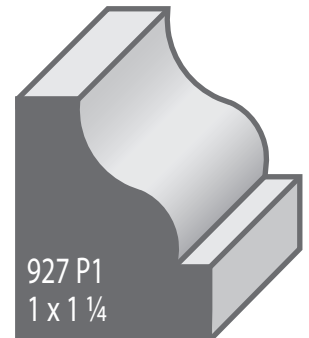
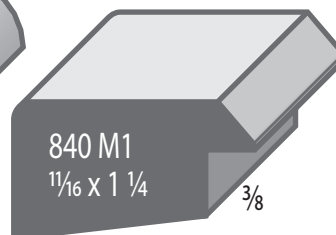
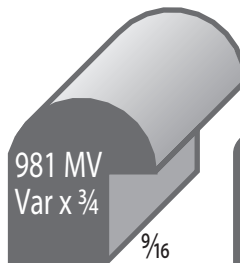
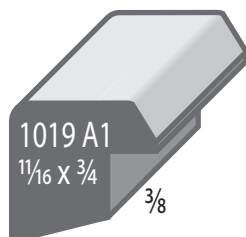
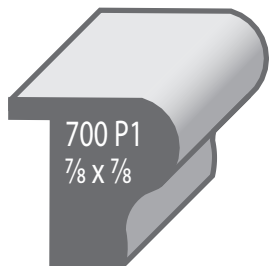
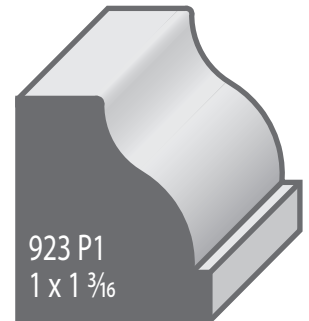
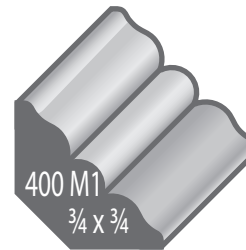
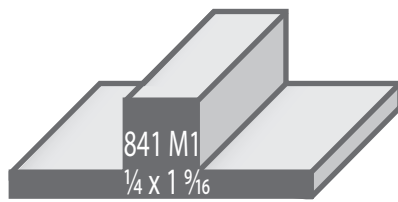
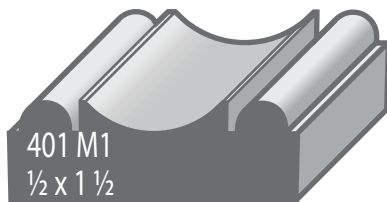
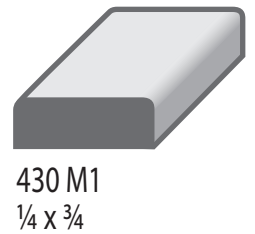
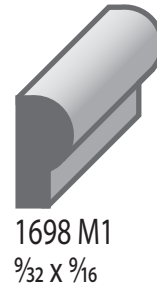
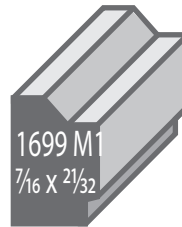
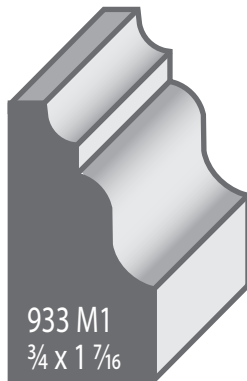
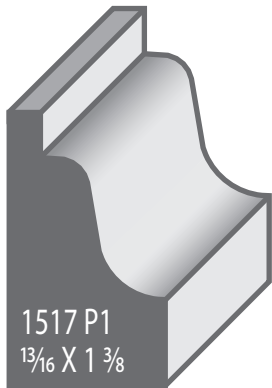
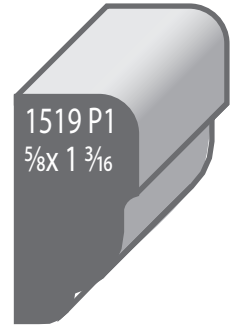
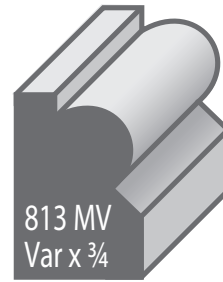
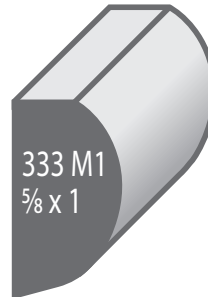
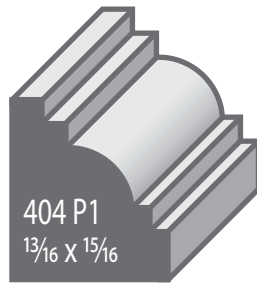
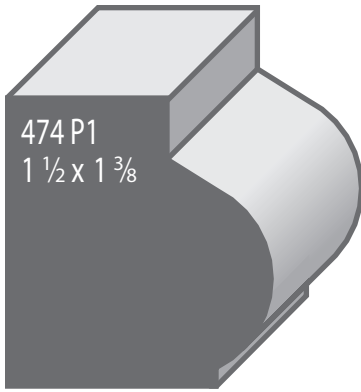


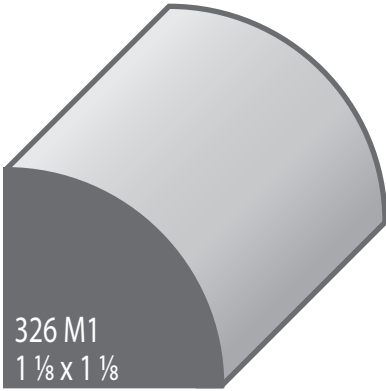
1081 M1
3/8 x 1



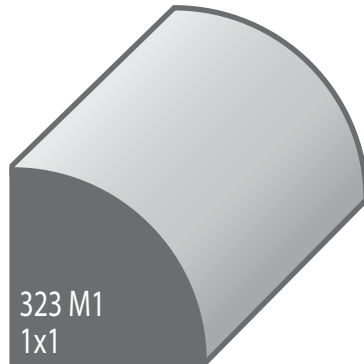




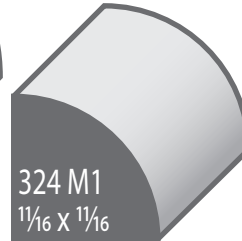




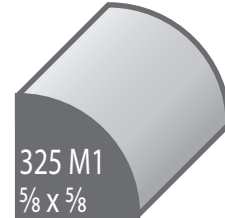
326 M1
1 1/8 x 1 1/8



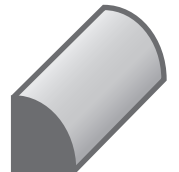
323 M1
1x1



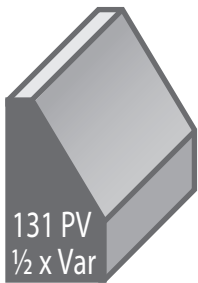
324 M1
1 1/16 x 1 1/16



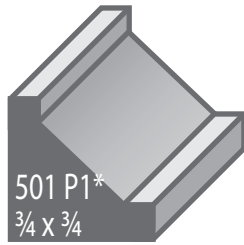
325 M1
5/8 x 5/8



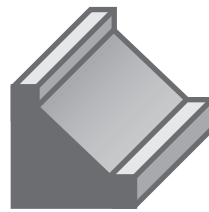
450 M1
5/16 x 3/8



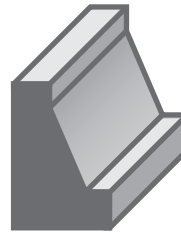
131 PV
1/2 x Var



501 P1*
3/4 x 3/4



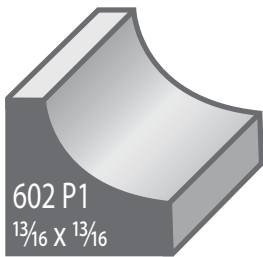
500 P1*
5/8 x 5/8



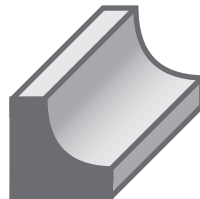
1501 P1
1/2 x 3/4



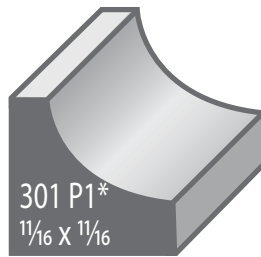
1401 M1
3/4 x 3/4



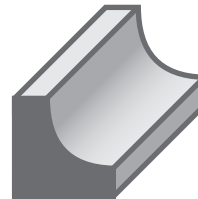
602 P1
1 3/16 x 1 3/16



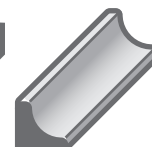
600 M1*
1/2 x 1/2



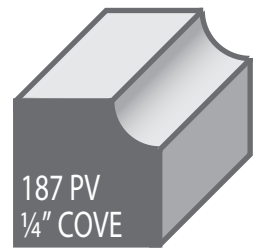
301 P1*
1 1/16 x 1 1/16



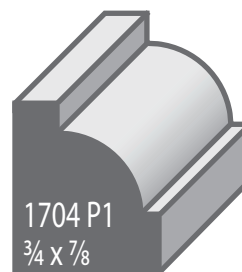
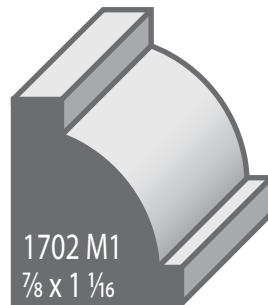
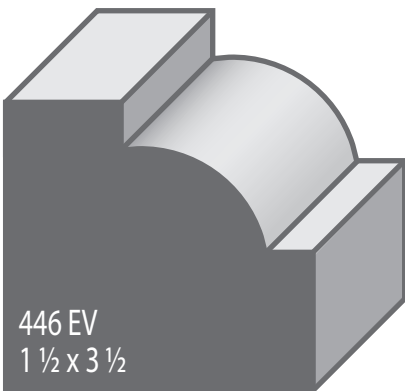
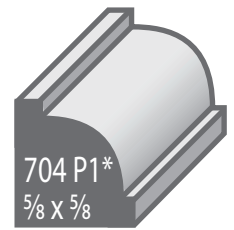
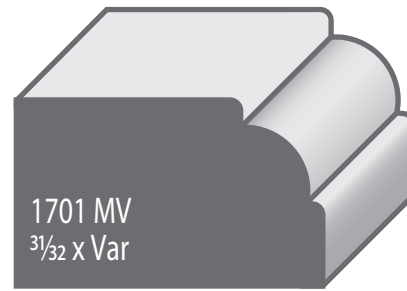
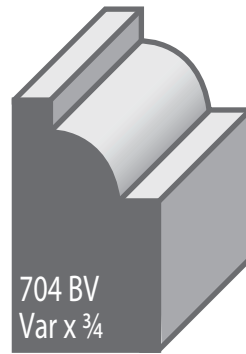
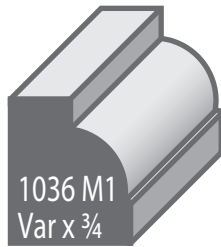
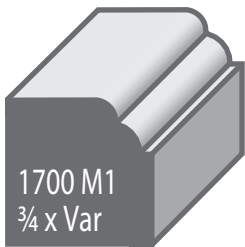
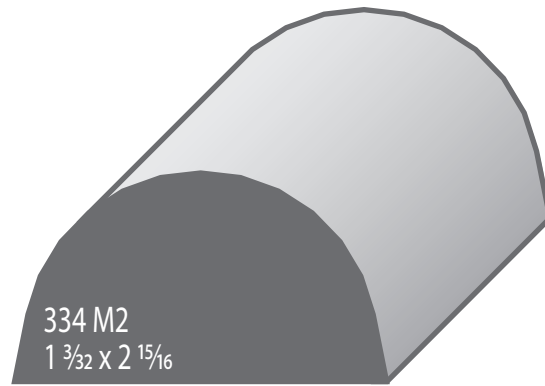
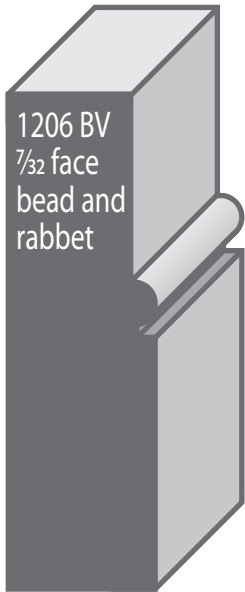
300 P1*
1/2 x 1/2

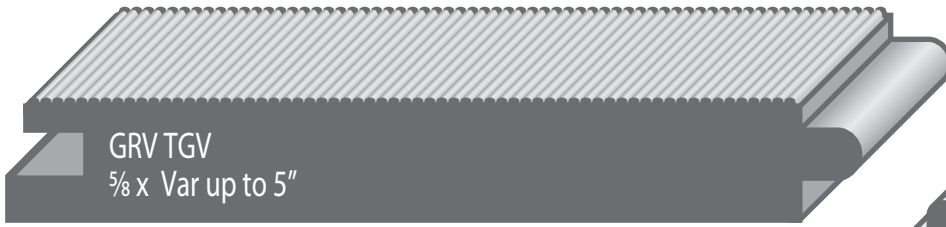


299 P1
1/4 x 1/4



187 PV
1/4" COVE





GRV TGV
5/8 x Var up to 5"



RAD1 TGV
3/4 x Variable



BD TG2
3/4 x 3 9/16



773 TGV
1 1/16 x 3 7/16



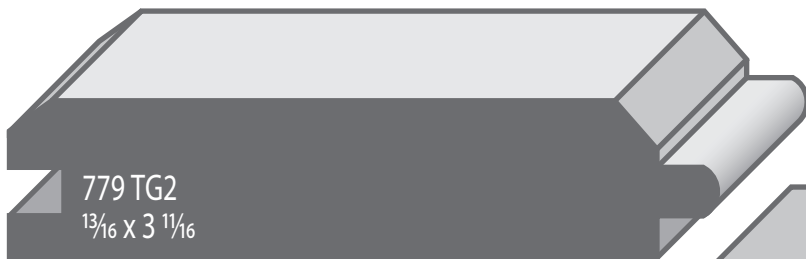
774 TGV
3/4 x 3 5/8



775 TGV
1 1/16 x variable



777 TG2
9/16 x 3 1/4



779 TG2
1 3/16 x 3 11/16



778 TGV
3/4 x 3 7/8

