



# Section G - Stair Parts



## McCOY MILLWORK

### Custom Shop Services

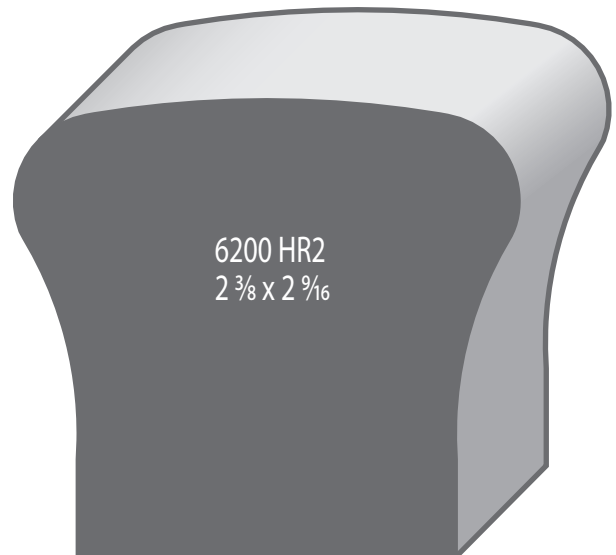
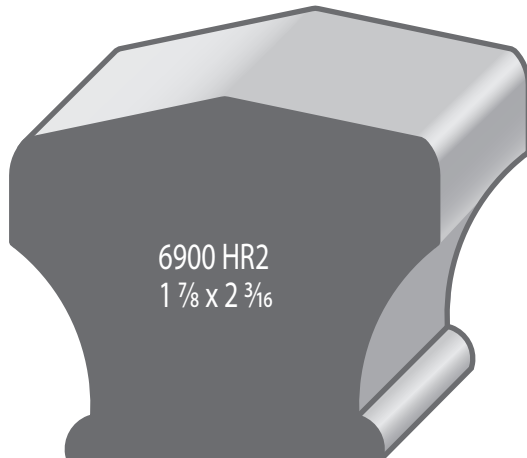
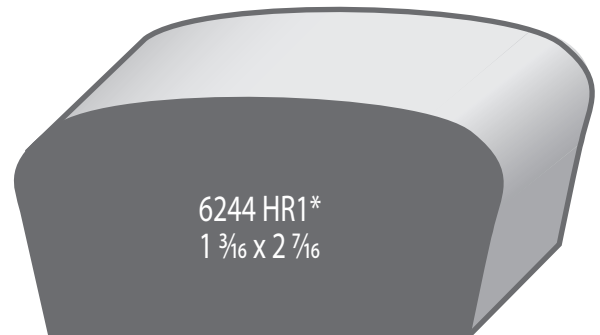
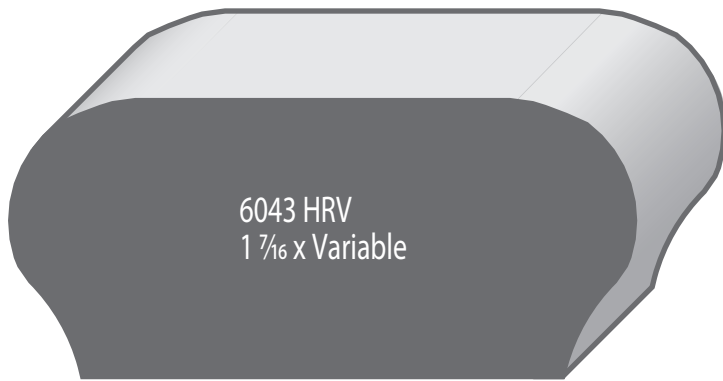
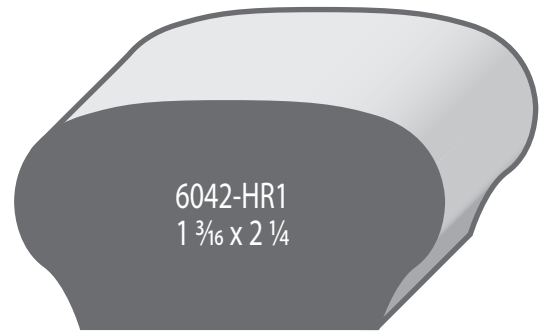
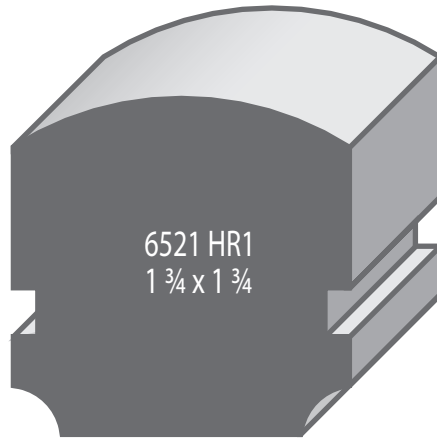
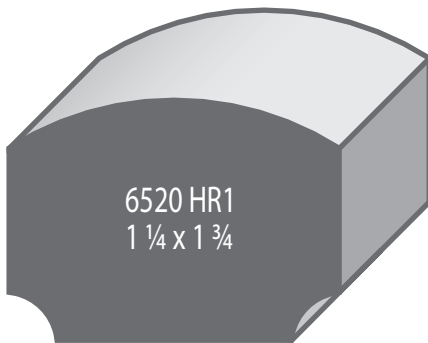
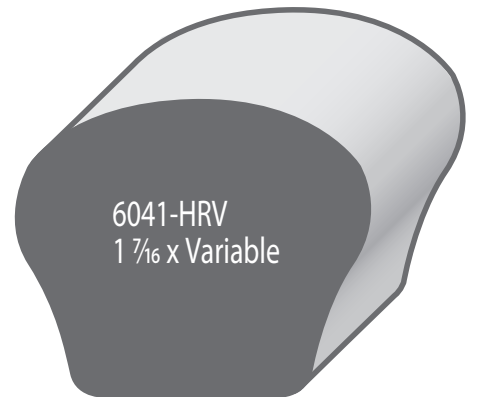
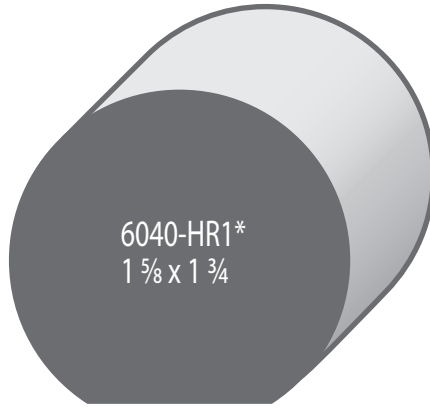
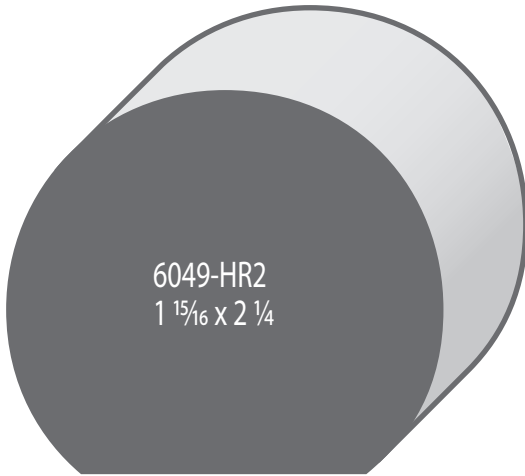
For custom profiles pricing is determined by the chosen species of wood and quantity. Provide the following:

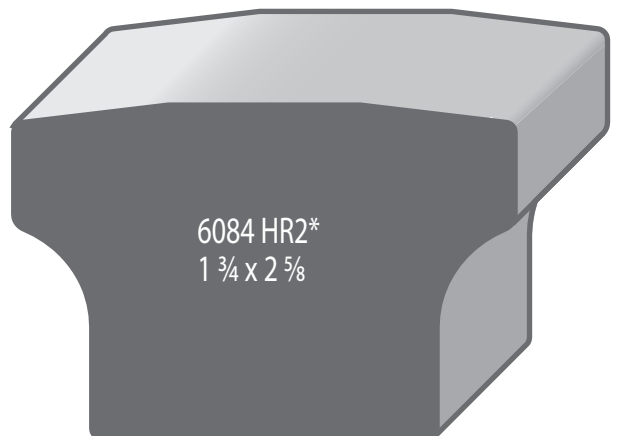
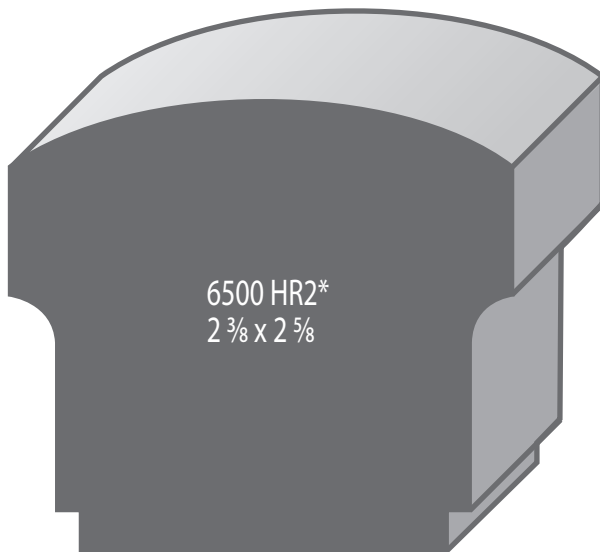
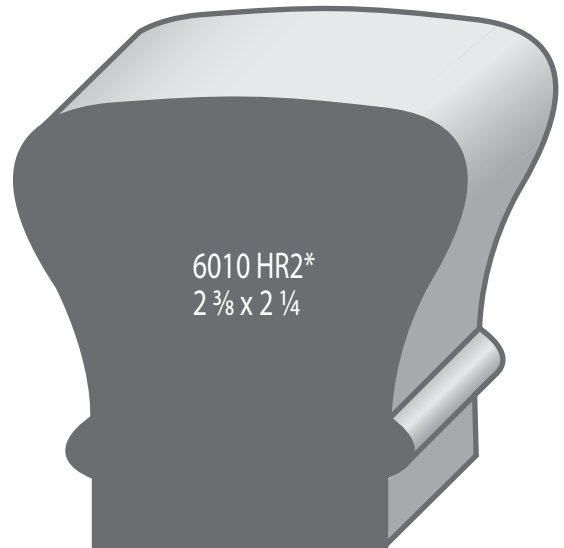
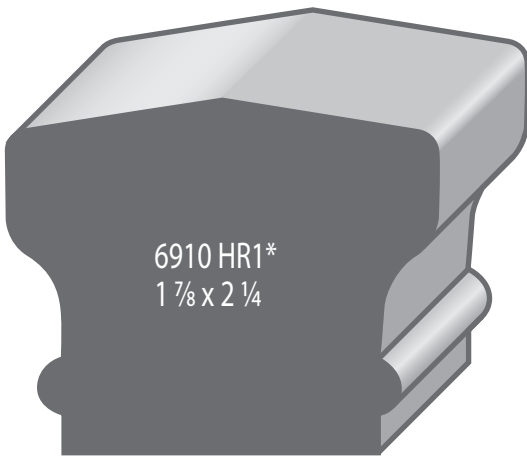
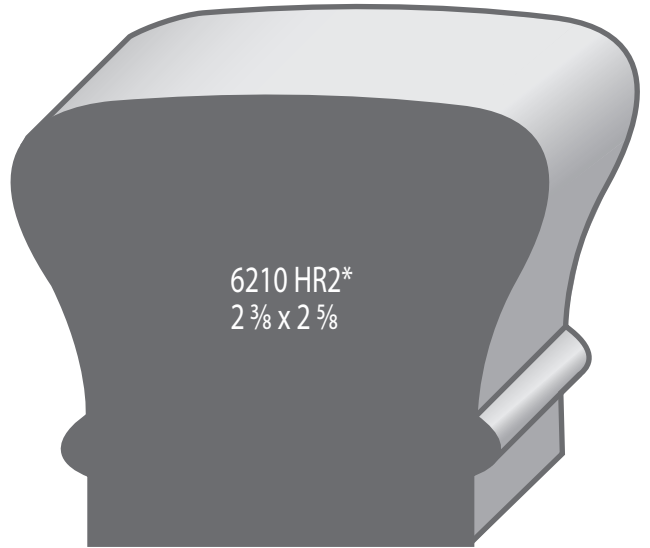
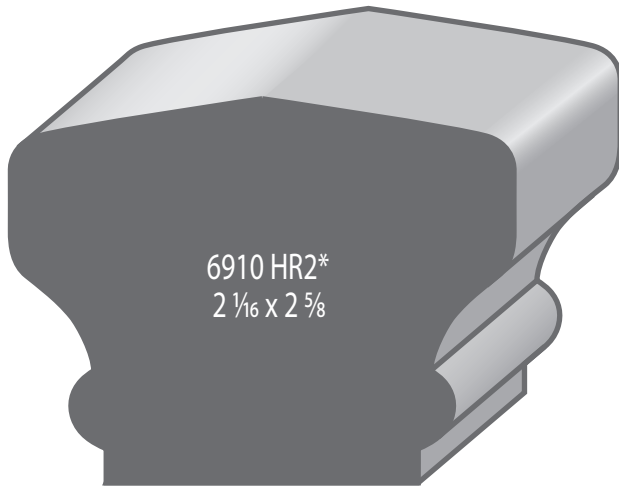
1. A sample or scale drawing of the profile.
2. Amount of moulding needed in Lineal Feet.
3. Preferred species of wood.
4. Preferred final finish (paint or stain).

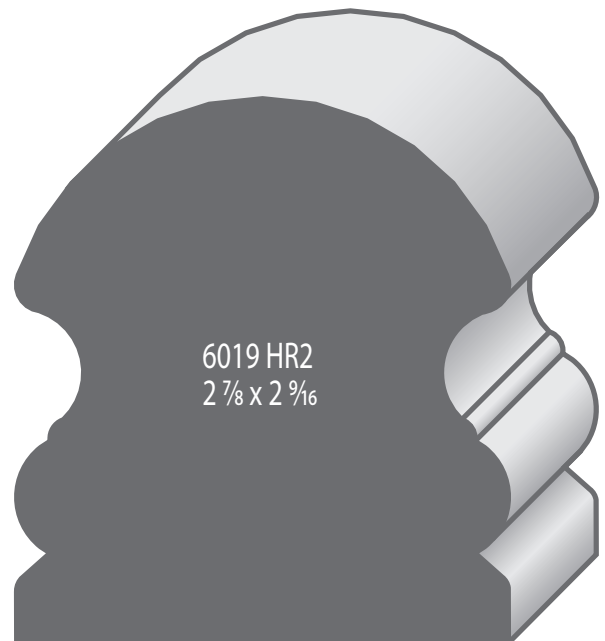
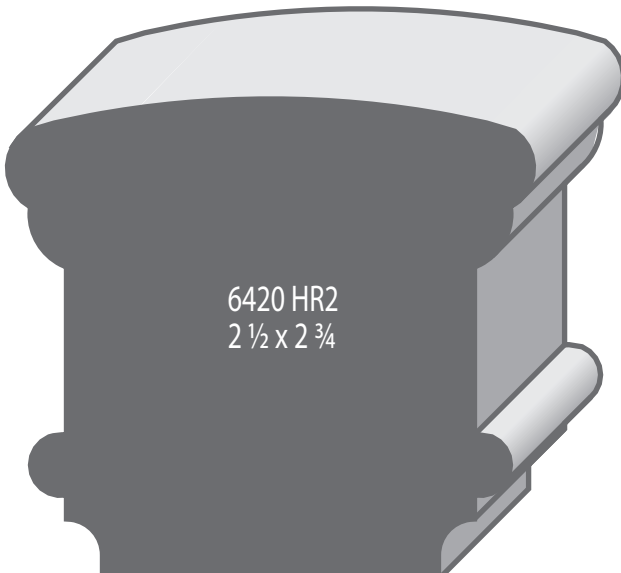
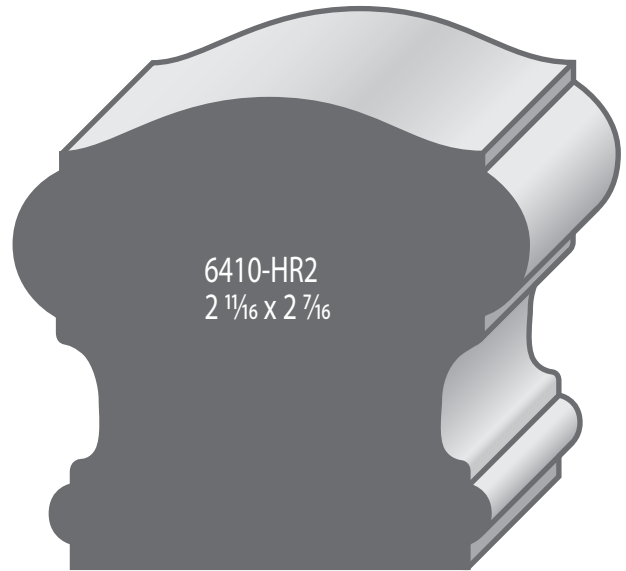
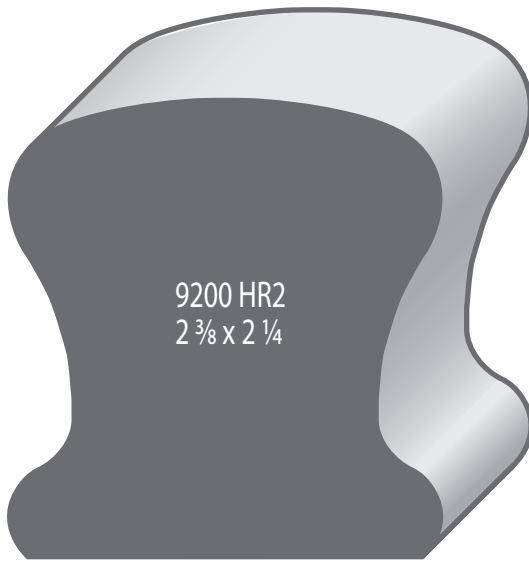
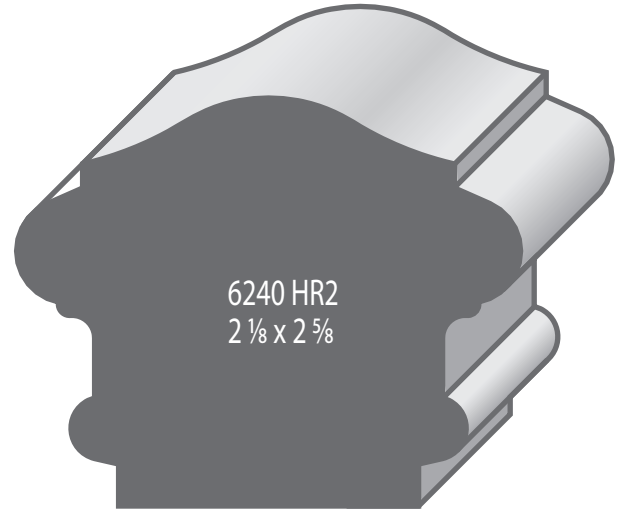
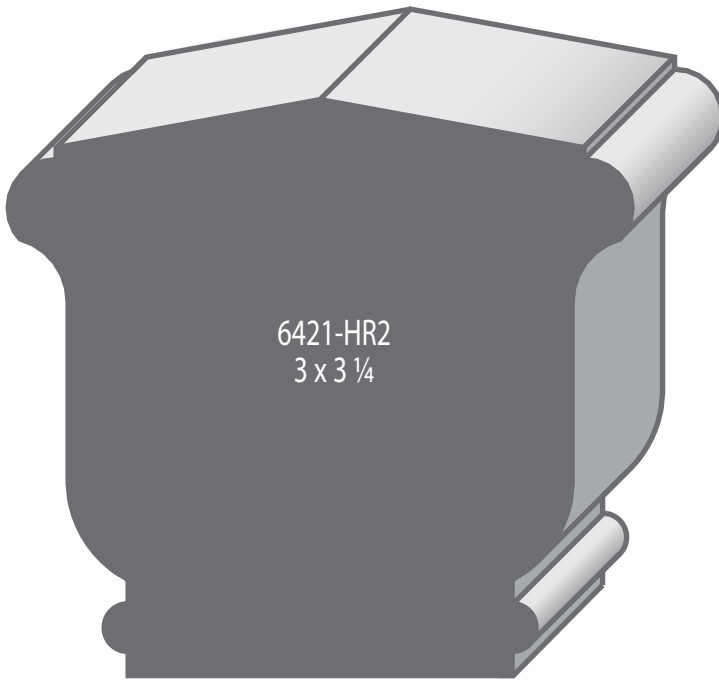
Send us your information via email or come in for a quote. You can expect to hear from us regarding pricing in 2 days.

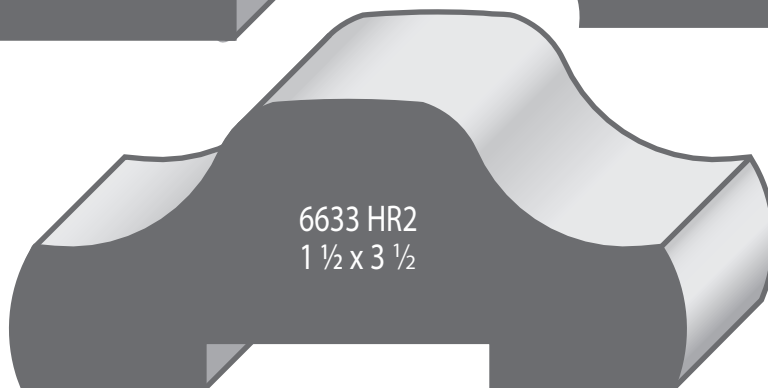
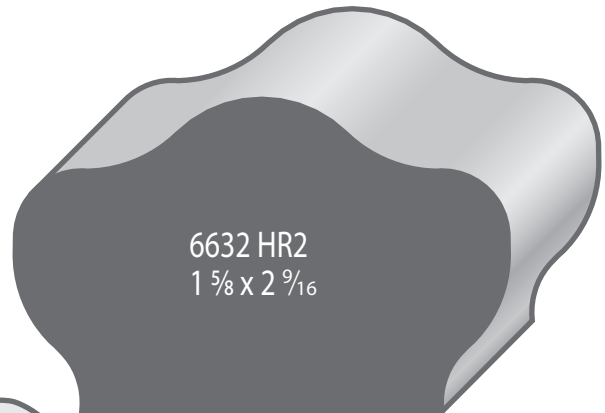
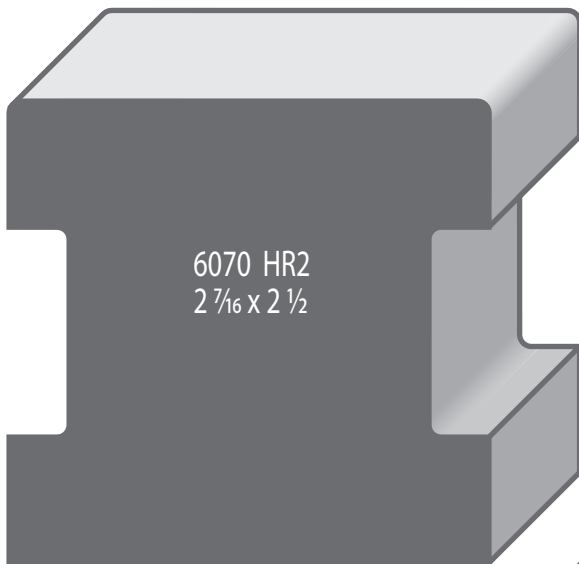
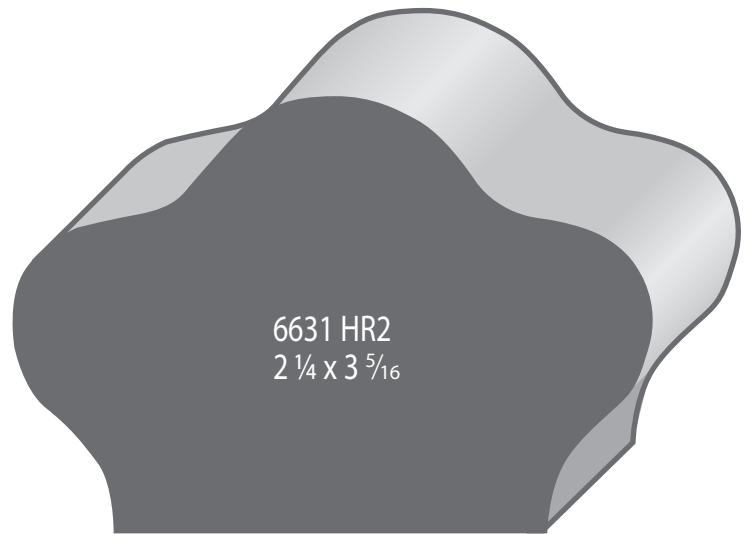
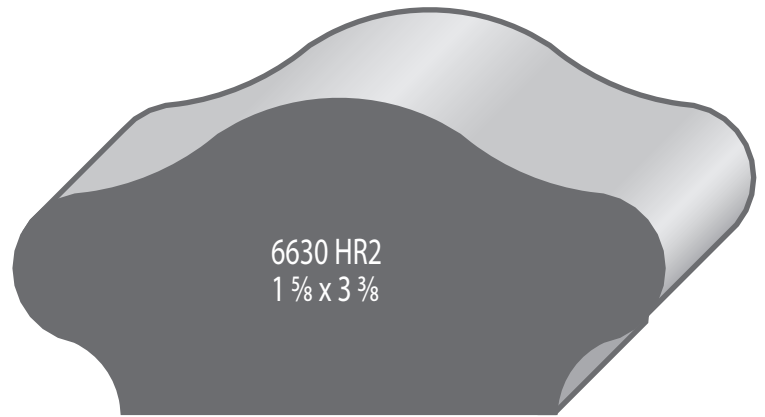
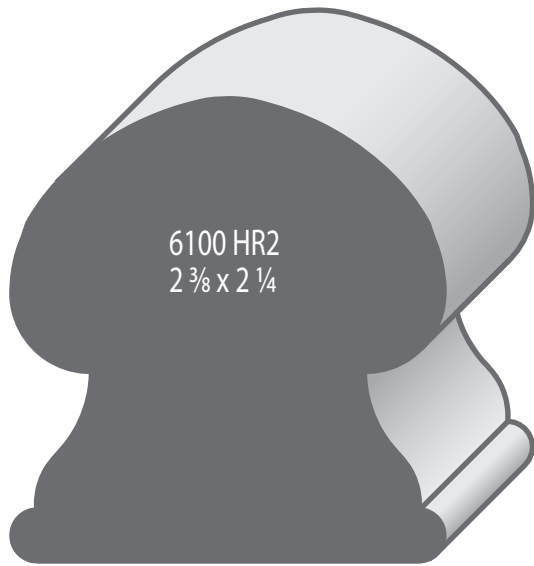
Manufacturing time varies: 2 days-2 weeks.

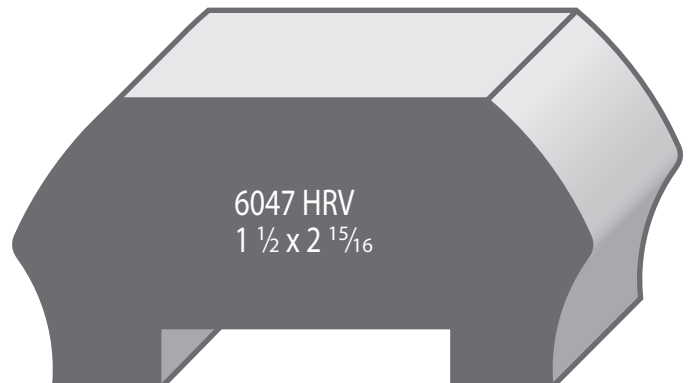
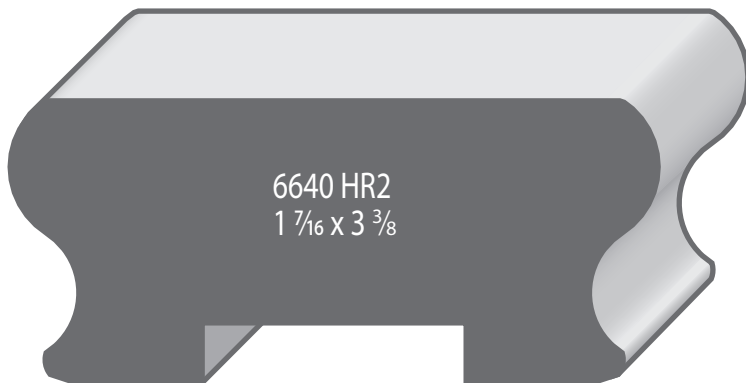
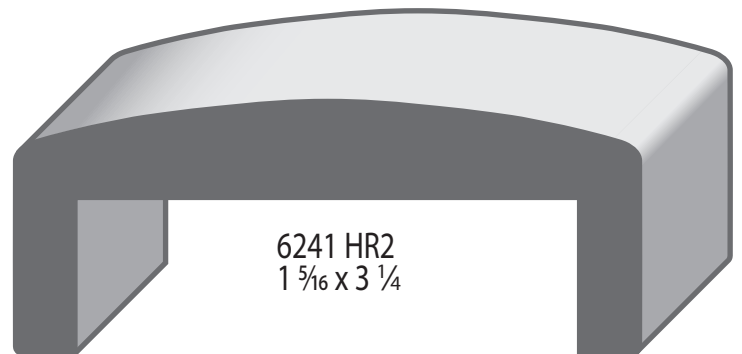
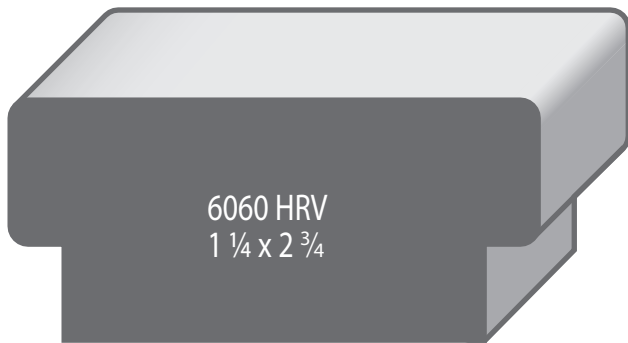
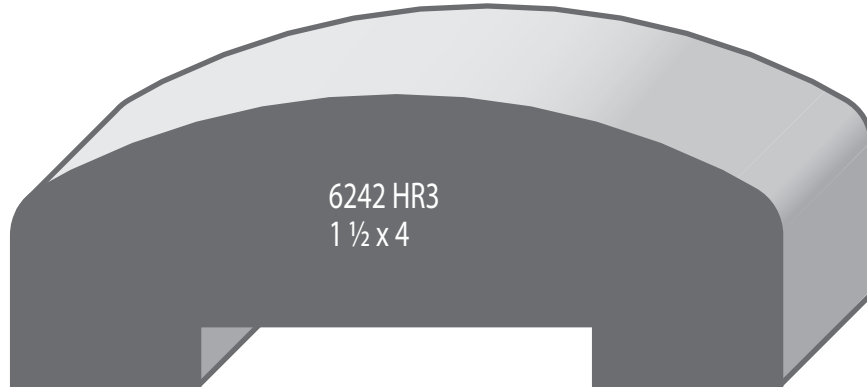
Profile #	Pg #	Profile #	Pg #	Profile #	Pg #	Profile #	Pg #
	<b>Symbols</b>	6420 HR2 Handrail	149				
978 MV Nosing	156	6421-HR2 Handrail	149				
982 MV Landing Tread	156	6500 HR2* Handrail	148				
983 MV* Nosing	156	6520 HR1 Handrail	147				
989 MV Nosing	156	6521 HR1 Handrail	147				
2091 SKIRT Newel Trim	156	6600 HR4 Balustrade	152				
4091 CAP Newel Trim	156	6610 HR4 Balustrade	155				
4091 NECK Moulding	156	6620 HR2 Balustrade	153				
4091 SKIRT	156	6630 HR2 Handrail	150				
4093 M1 Newel Trim	156	6631 HR2 Handrail	150				
6006 HR2 Shoerail	155	6632 HR2 Handrail	150				
6010 HR2* Handrail	148	6633 HR2 Handrail	150				
6019 HR2 Handrail	149	6634 HR4 Porch Rail	152				
6025 HR2 Shoe Rail	155	6640 HR2 Handrail	151				
6035 HR2 Shoerail	155	6650-HR2 Handrail	153				
6040 HR1* Handrail	147	6651-HR2 Shoe Rail	155				
6041 HRV Handrail	147	6652-HR2 Handrail	153				
6042 HR1* Handrail	147	6700 HR3* Porch Rail	152				
6043 HRV Handrail	147	6900 HR2 Handrail	147				
6045 HR2 Shoerail	155	6910 HR1* Handrail	148				
6046 HR2 Shoerail	155	6910 HR2* Handrail	148				
6047 HRV Handrail	151	9200 HR2 Handrail	149				
6048 HRV Handrail	152						
6049-HR2 Handrail	147	<b>K</b>					
6060 HRV Handrail	151	KH1 HR4 Safety Rail	154				
6070 HR2 Handrail	150	KH2 HR4 Safety Rail	154				
6084 HR2* Handrail	148	KH3-HR4 Safety Rail	154				
6085 HR2 Shoerail	155						
6100 HR2 Handrail	150						
6200 HR2 Handrail	147						
6210 HR2* Handrail	148						
6240 HR2 Handrail	149						
6241 HR2 Handrail	151						
6242 HR3 Handrail	151						
6244 HR1* Handrail	147						
6410-HR2 Handrail	149						

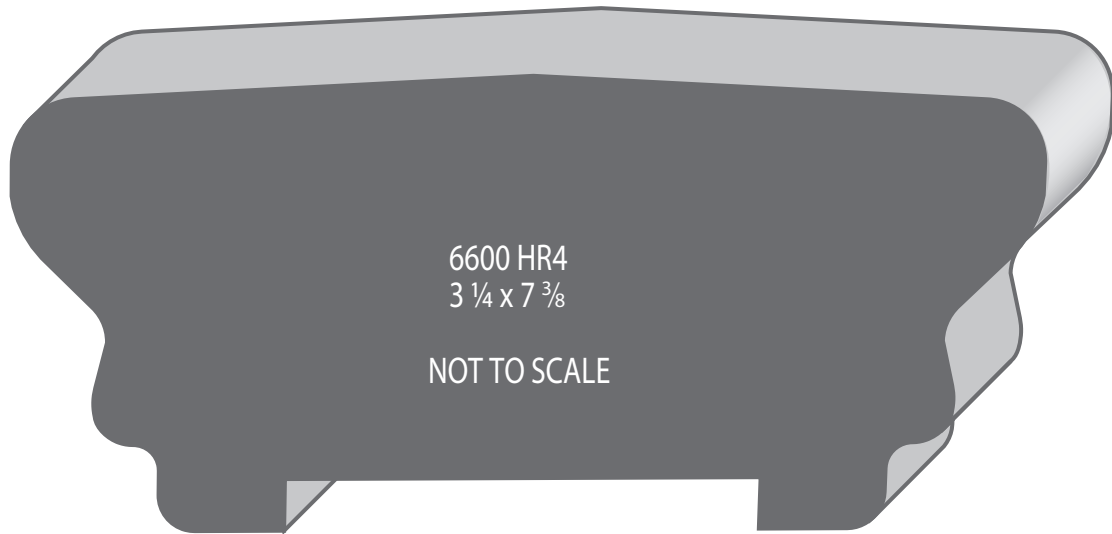












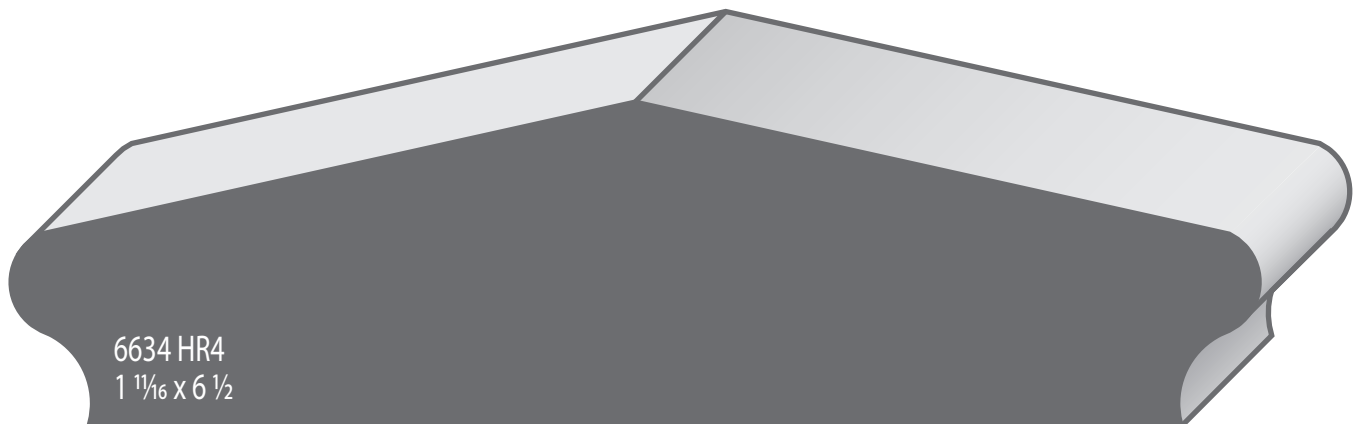
6600 HR4  
3 1/4 x 7 3/8  
NOT TO SCALE



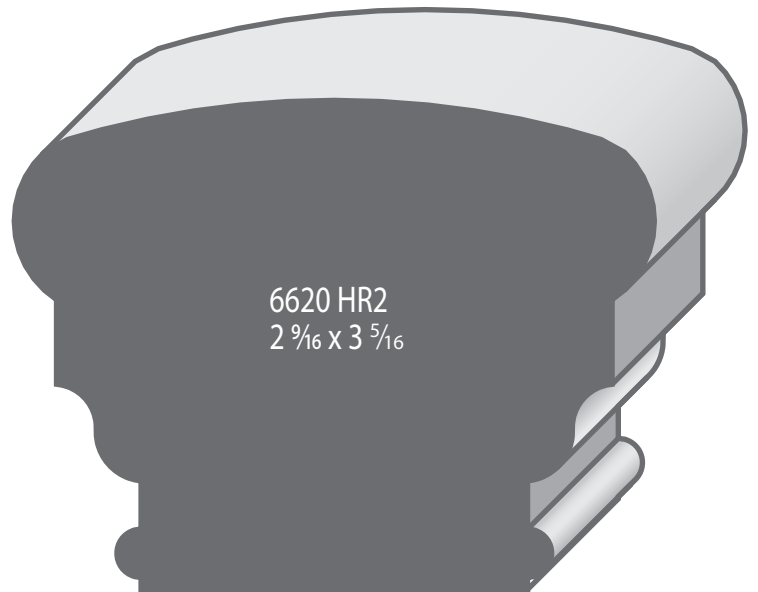
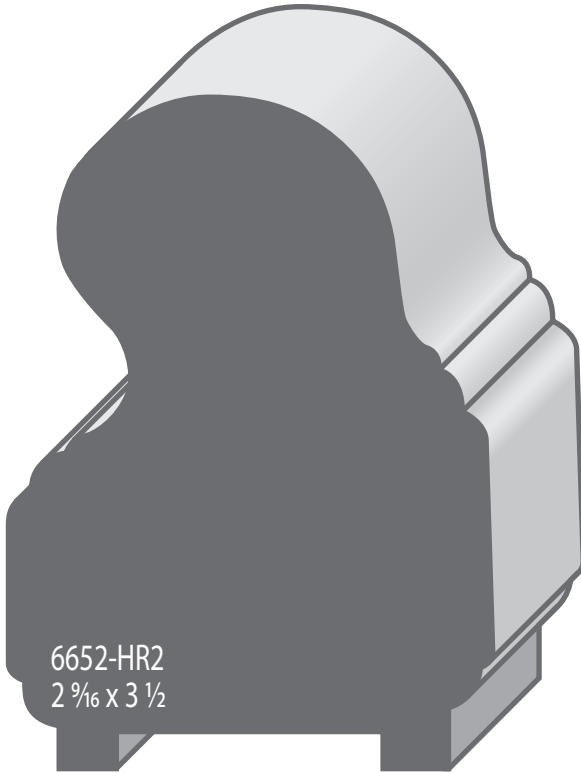
6700 HR3  
1 3/4 x 4 1/2



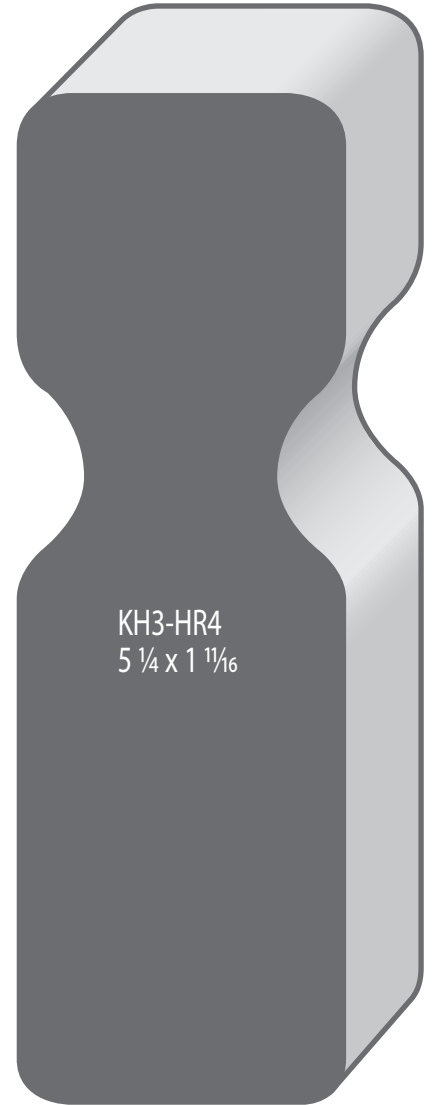
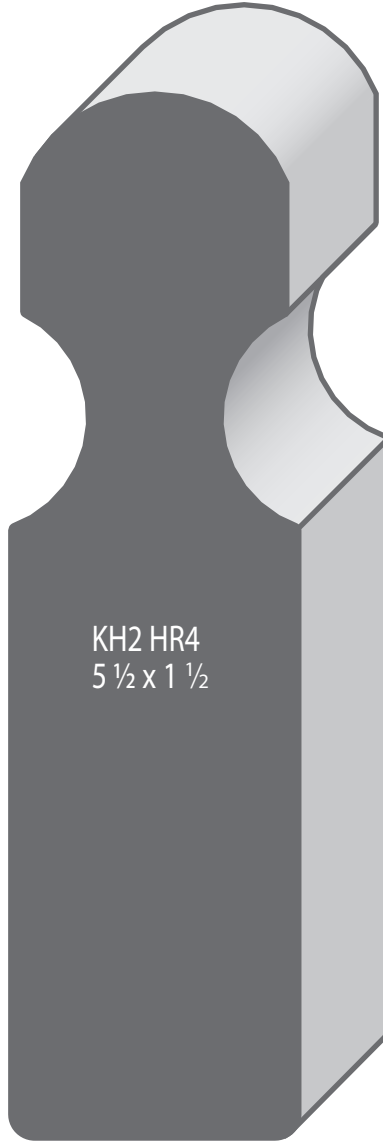
6048 HRV  
1 7/16 x 5 1/8

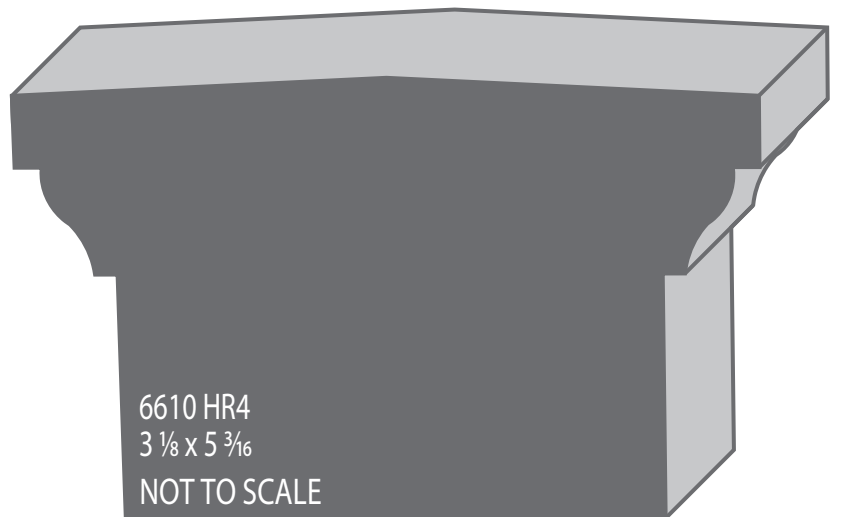
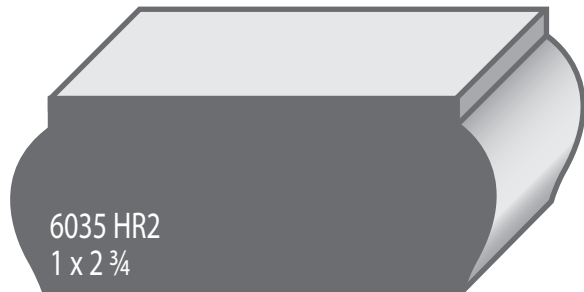
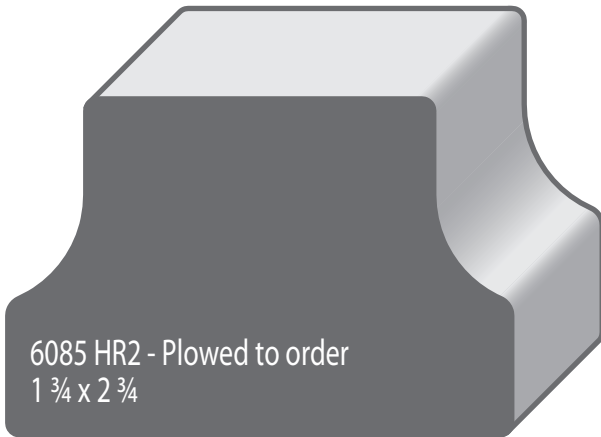
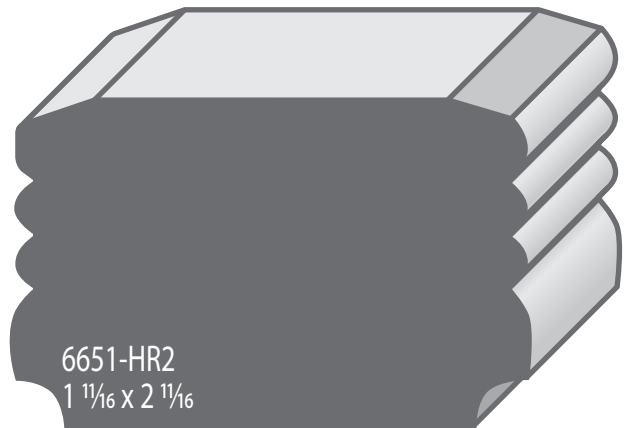
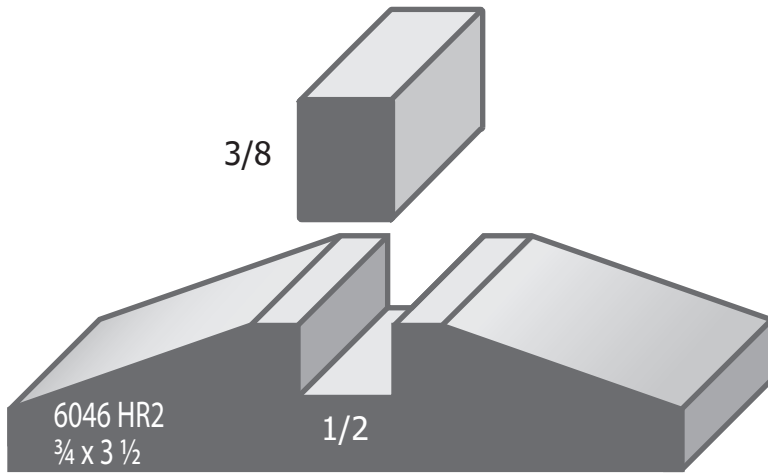
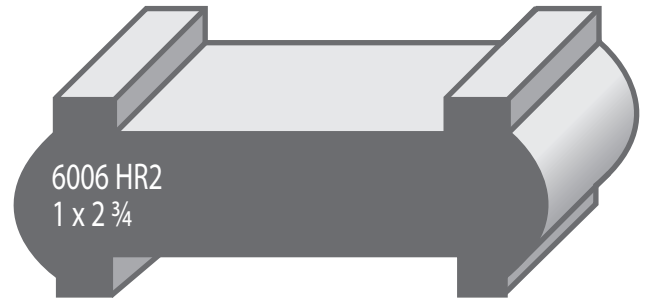
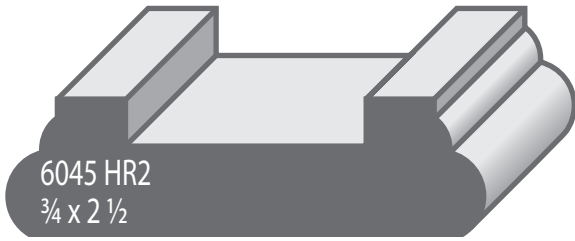


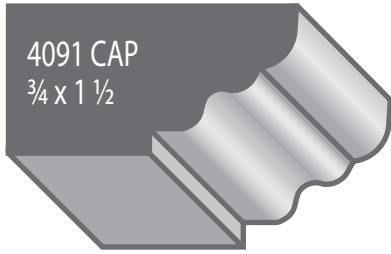
6634 HR4  
1 11/16 x 6 1/2



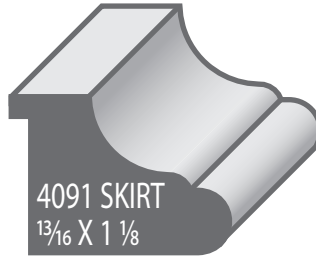




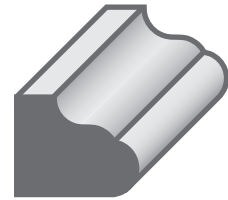




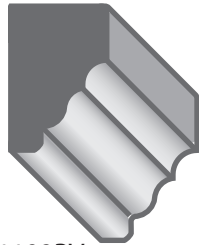
4091 CAP  
3/4 x 1 1/2



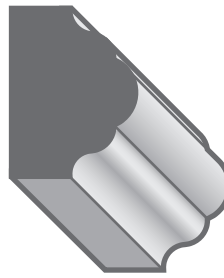
4091 SKIRT  
1 3/16 X 1 1/8



2091 SKIRT  
1/2 X 5/8



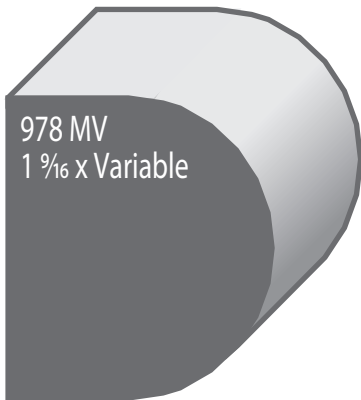
1123PV  
3/4 x 1/2  
Michael's Newel Trim



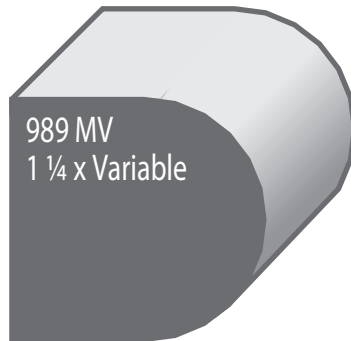
4091 NECK  
1 1/16 X 7/8



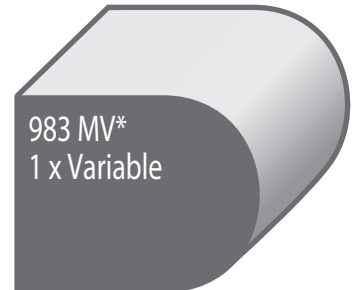
4093 M1  
1 7/16 X 3/4



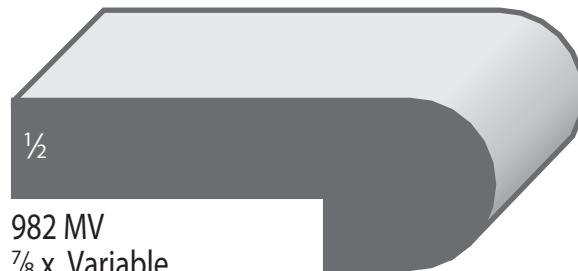
978 MV  
1 9/16 x Variable



989 MV  
1 1/4 x Variable



983 MV\*  
1 x Variable



1/2  
982 MV  
7/8 x Variable