



## McCoy MILLWORK

### Custom Shop Services

For custom profiles pricing is determined by the chosen species of wood and quantity. Provide the following:

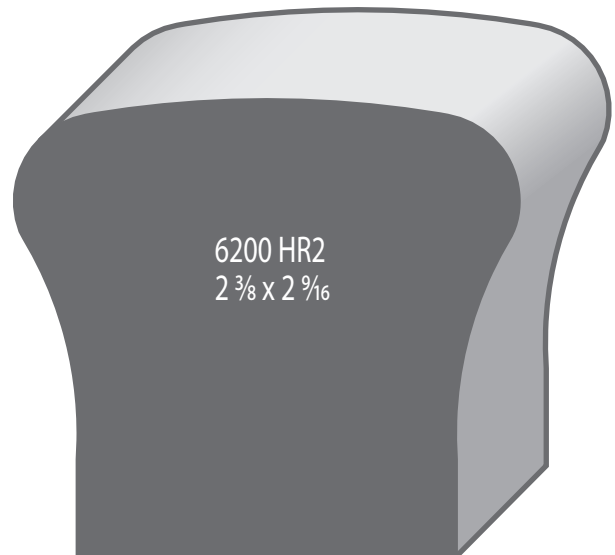
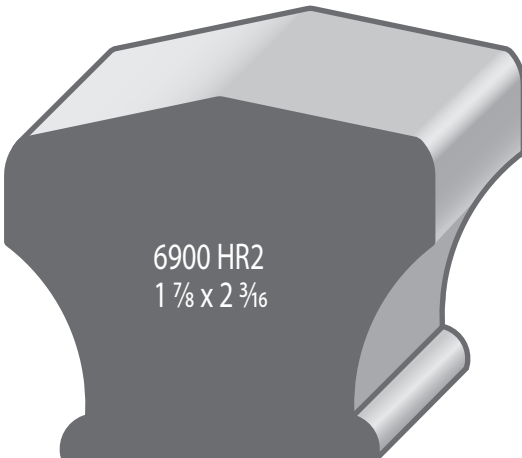
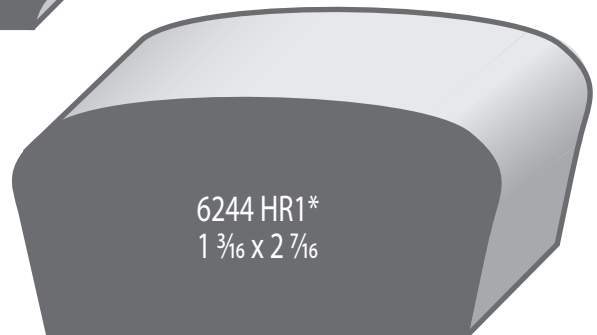
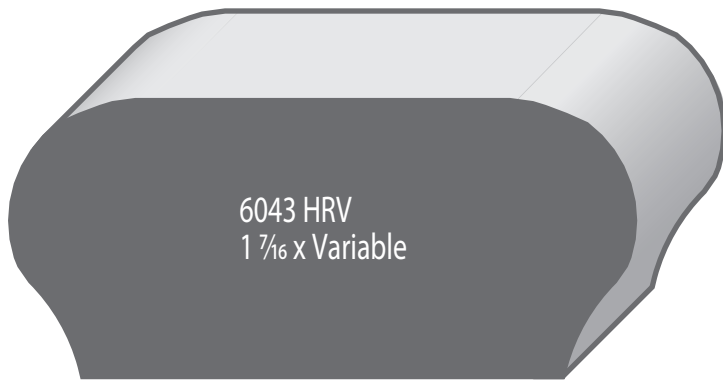
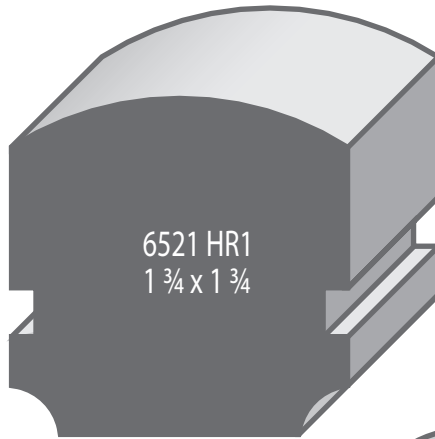
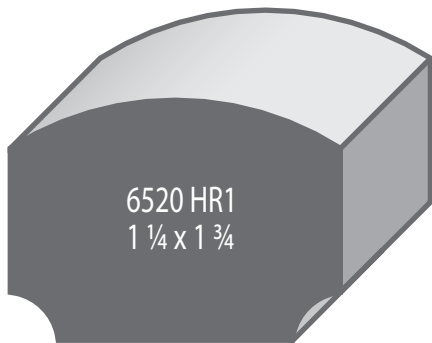
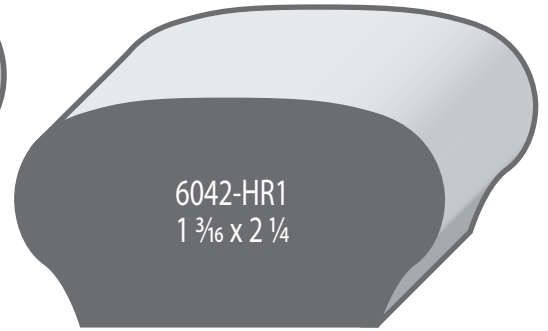
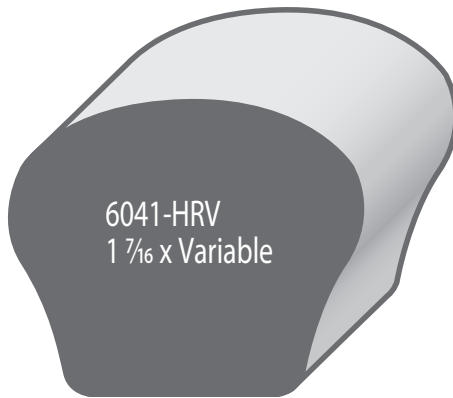
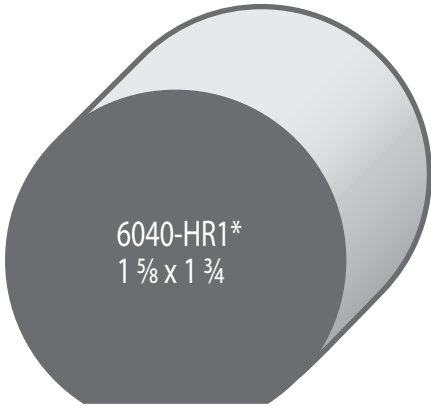
1. A sample or scale drawing of the profile.
2. Amount of moulding needed in Lineal Feet.
3. Preferred species of wood.
4. Preferred final finish (paint or stain).

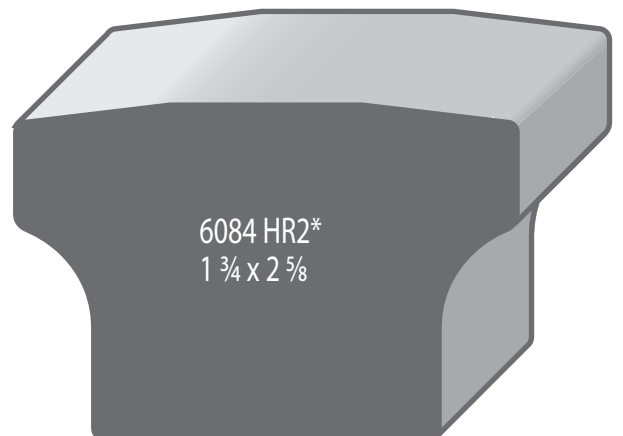
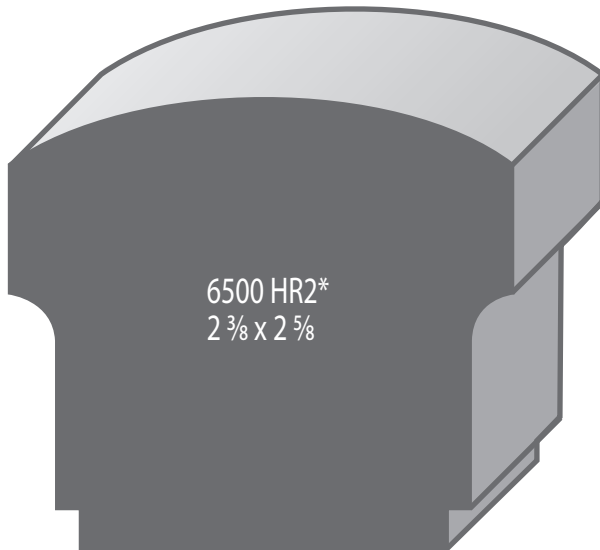
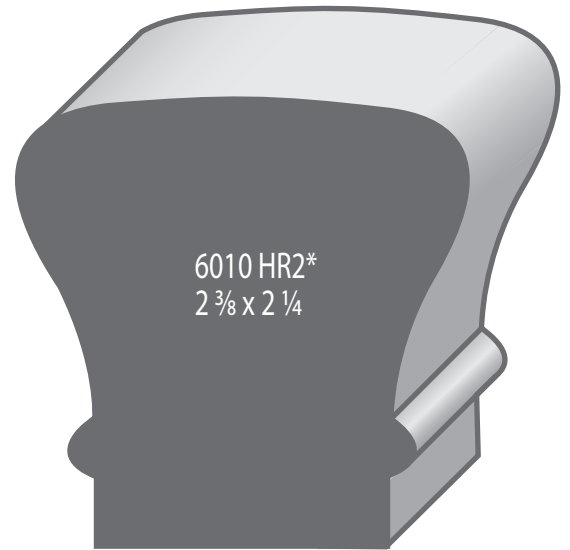
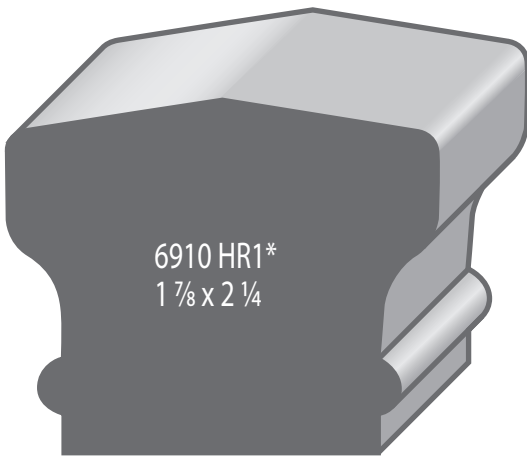
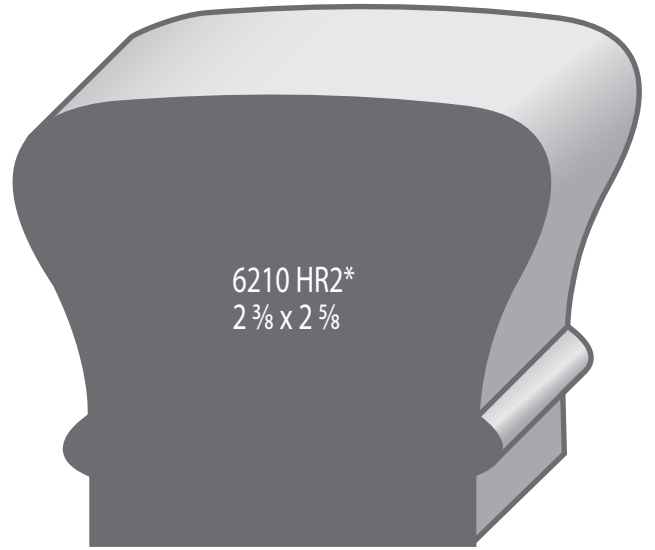
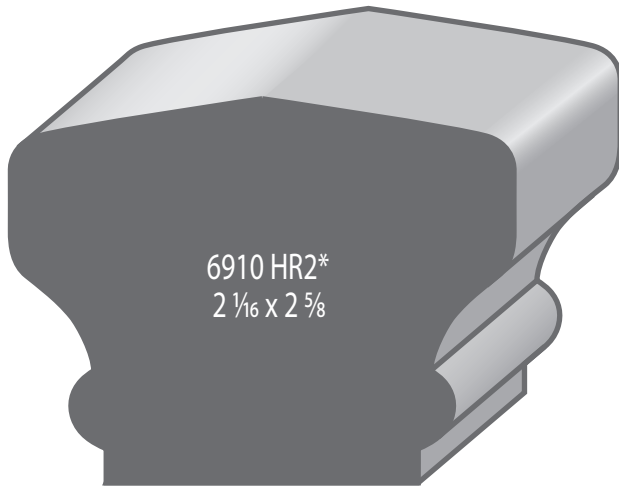
Send us your information via email or come in for a quote. You can expect to hear from us regarding pricing in 2 days.  
Manufacturing time varies: 2 days-2 weeks.

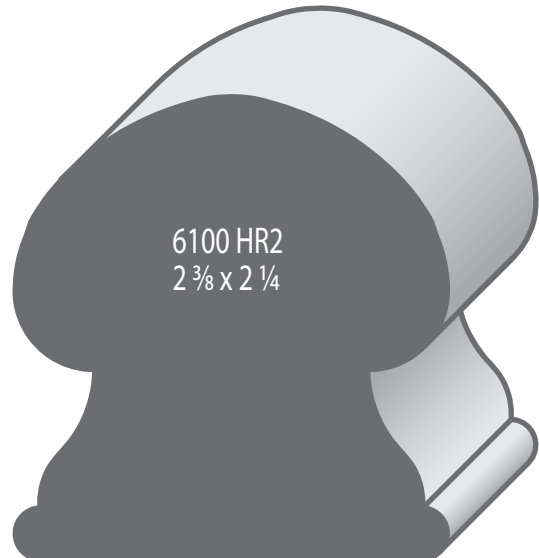
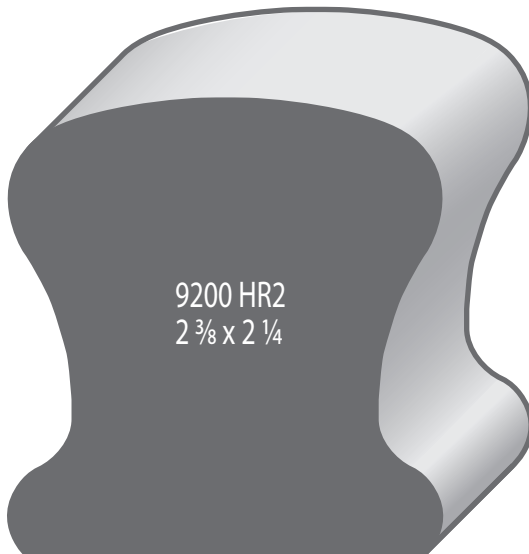
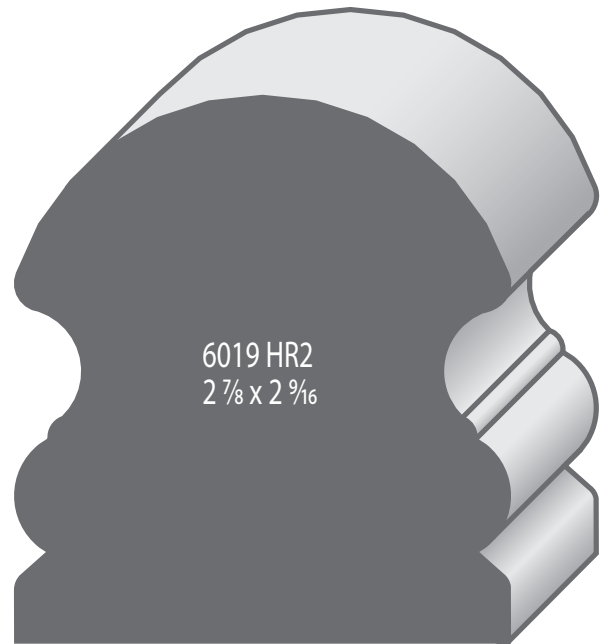
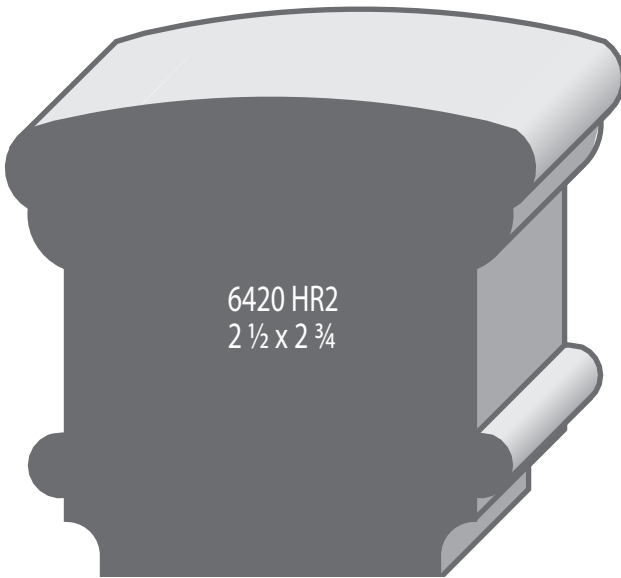
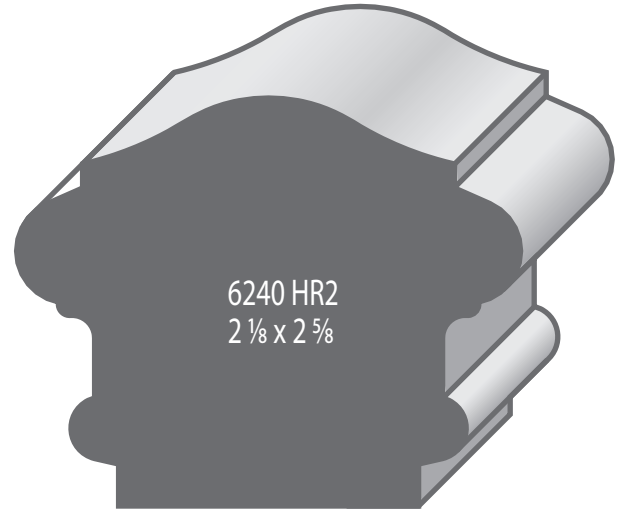
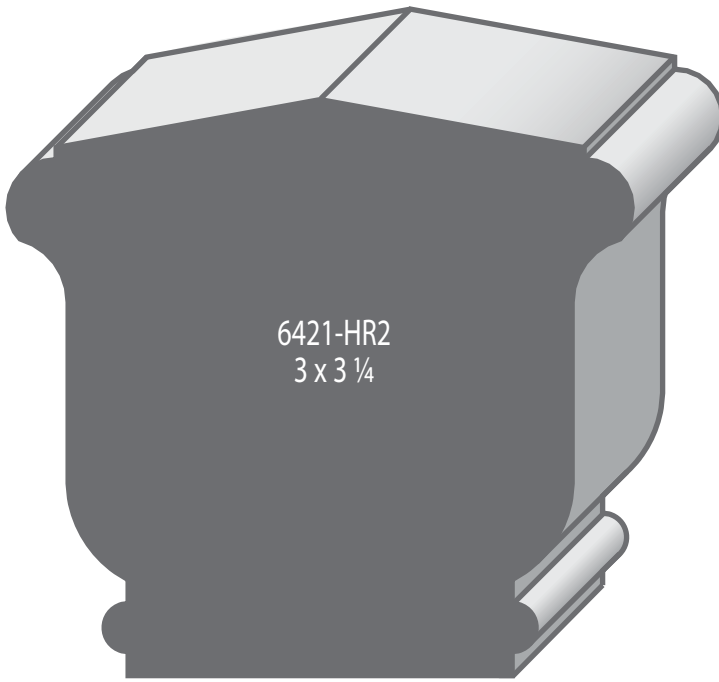
Profile #	Pg #	Profile #	Pg #	Profile #	Pg #	Profile #	Pg #
978 MV Nosing	150	6520 HR1 Handrail	141				
982 MV Landing Tread	150	6521 HR1 Handrail	141				
983 MV* Nosing	150	6600 HR4 Balustrade	147				
989 MV Nosing	150	6610 HR4 Balustrade	147				
2091 SKIRT Newel Trim	150	6620 HR2 Balustrade	147				
4091 CAP Newel Trim	150	6630 HR2 Handrail	144				
4091 NECK Moulding	150	6631 HR2 Handrail	144				
4091 SKIRT	150	6632 HR2 Handrail	144				
4093 M1 Newel Trim	150	6633 HR2 Handrail	144				
6006 HR2 Shoerail	149	6634 HR4 Porch Rail	146				
6010 HR2* Handrail	142	6640 HR2 Handrail	145				
6019 HR2 Handrail	143	6650-HR2 Handrail	147				
6025 HR2 Shoe Rail	149	6700 HR3* Porch Rail	146				
6035 HR2 Shoerail	149	6900 HR2 Handrail	141				
6040 HR1* Handrail	141	6910 HR1* Handrail	142				
6041 HRV Handrail	141	6910 HR2* Handrail	142				
6042 HR1* Handrail	141	9200 HR2 Handrail	143				
6043 HRV Handrail	141						
6045 HR2 Shoerail	149						
6046 HR2 Shoerail	149						
6047 HRV Handrail	145						
6048 HRV Handrail	146						
6060 HRV Handrail	145						
6070 HR2 Handrail	144						
6084 HR2* Handrail	142						
6085 HR2 Shoerail	149						
6100 HR2 Handrail	143						
6200 HR2 Handrail	141						
6210 HR2* Handrail	142						
6240 HR2 Handrail	143						
6241 HR2 Handrail	145						
6242 HR3 Handrail	145						
6244 HR1* Handrail	141						
6420 HR2 Handrail	143						
6421-HR2 Handrail	143						
6500 HR2* Handrail	142						

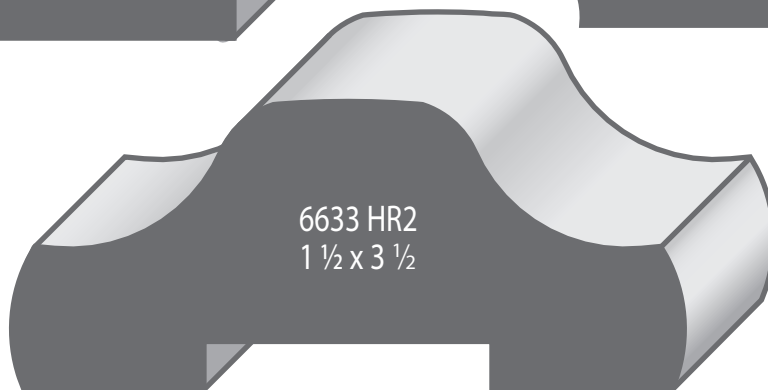
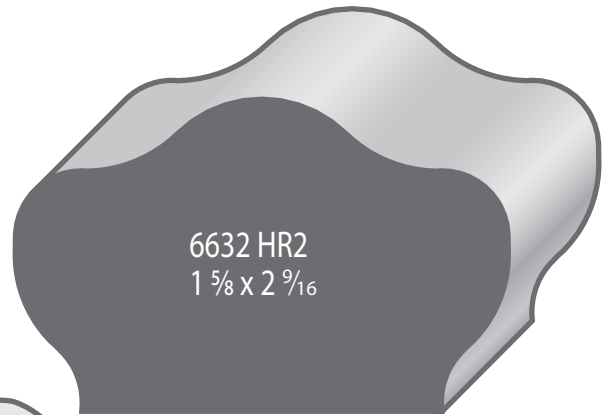
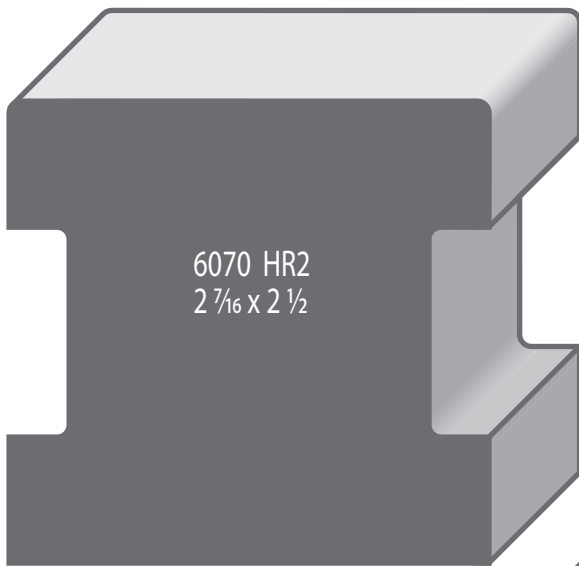
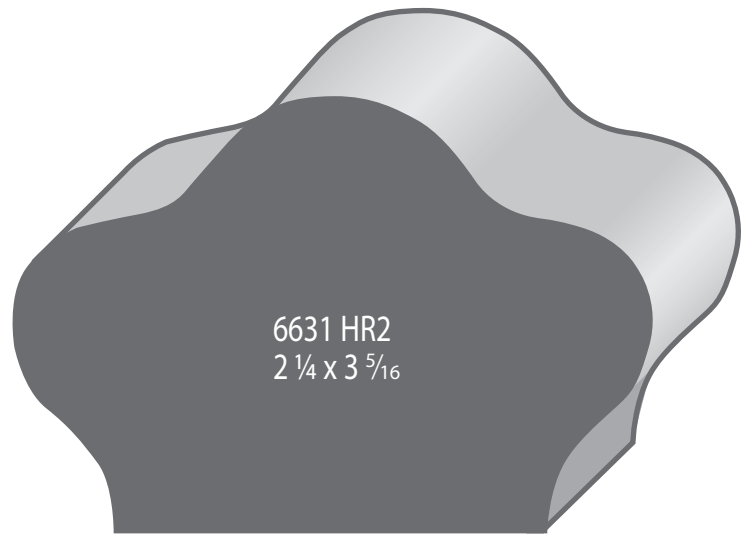
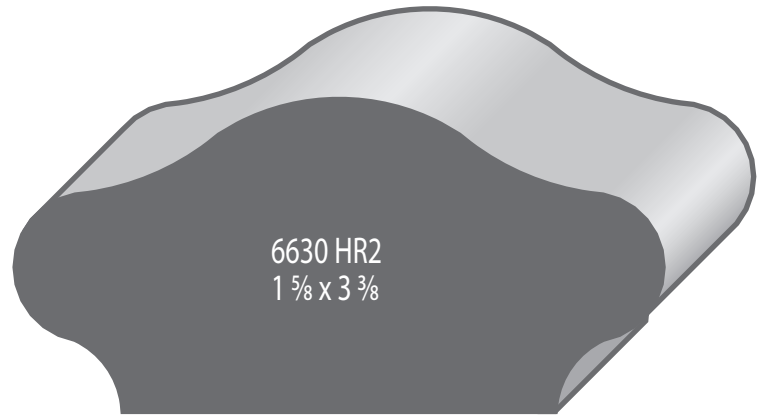
### K

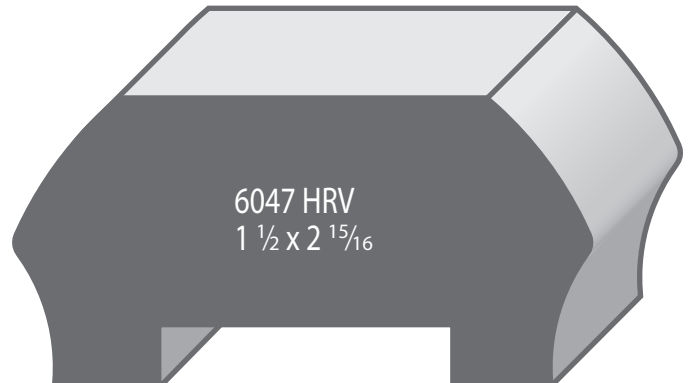
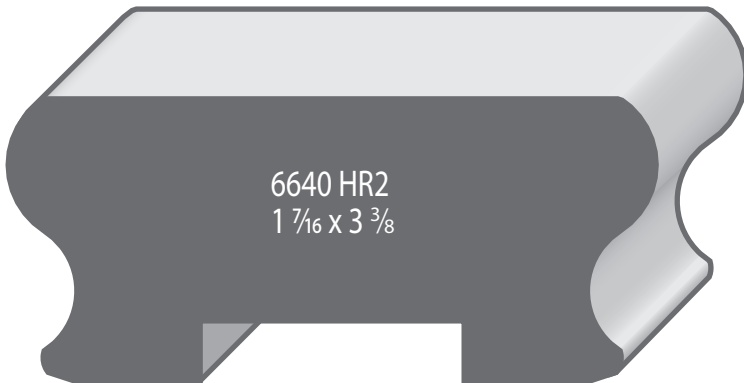
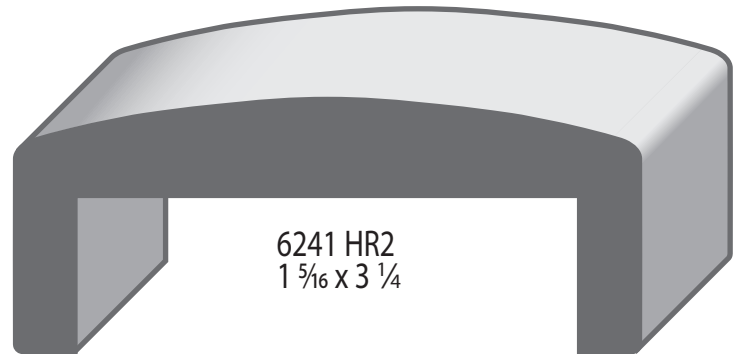
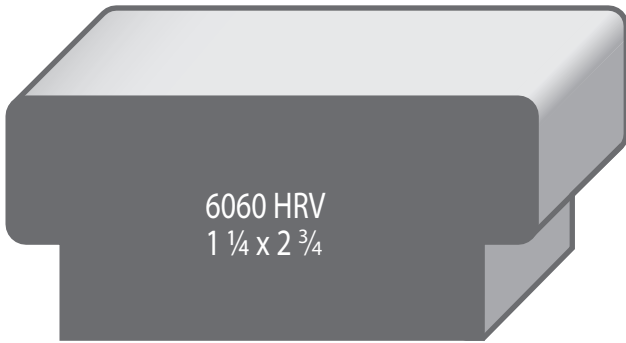
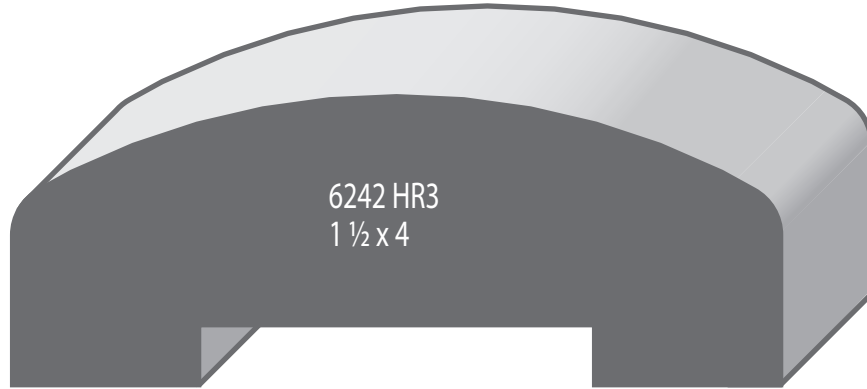
KH1 HR4 Safety Rail	148
KH2 HR4 Safety Rail	148

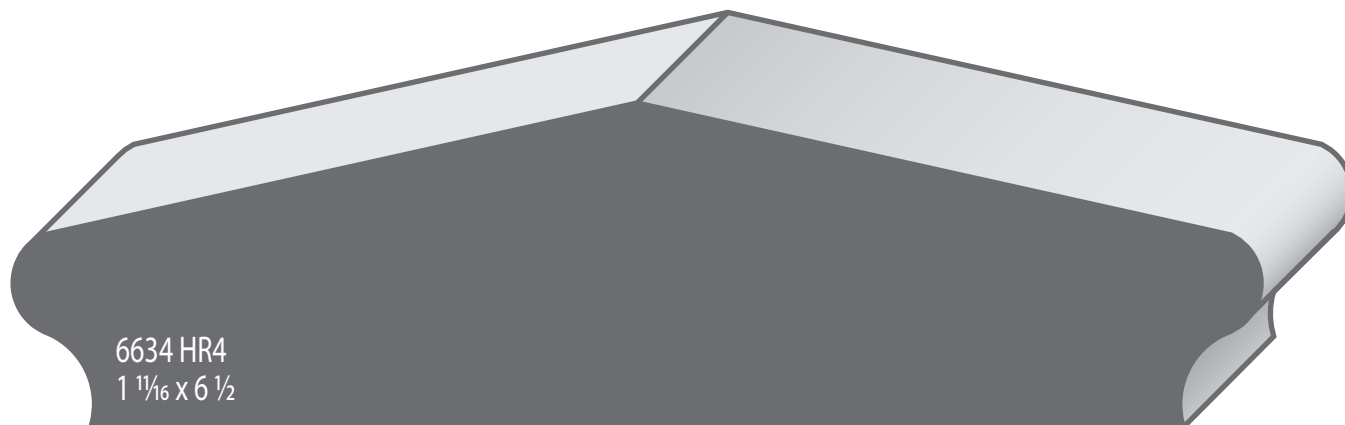


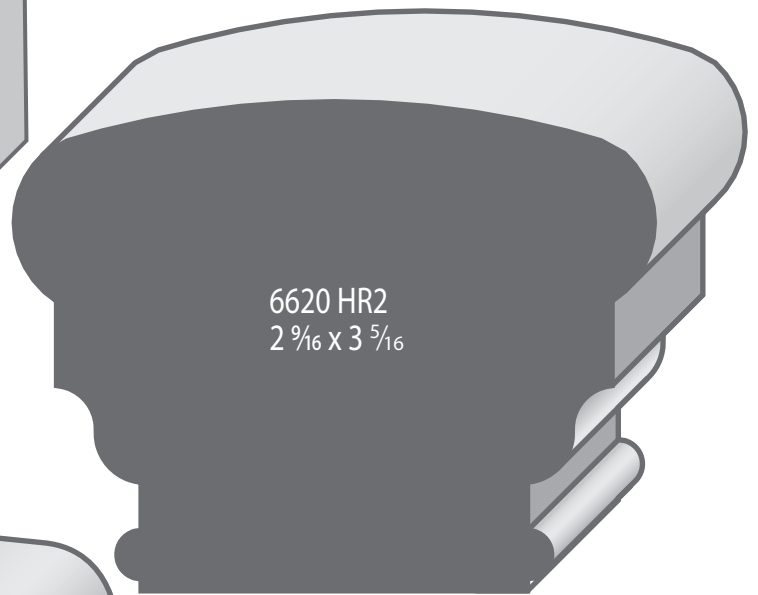
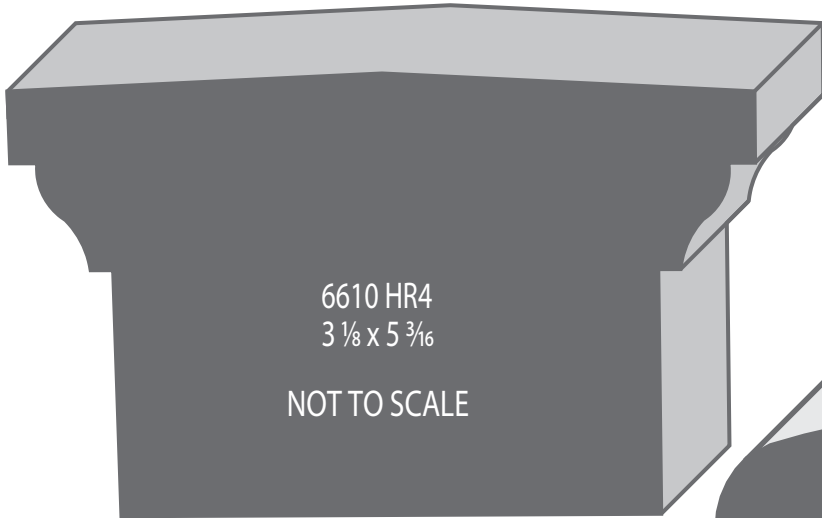
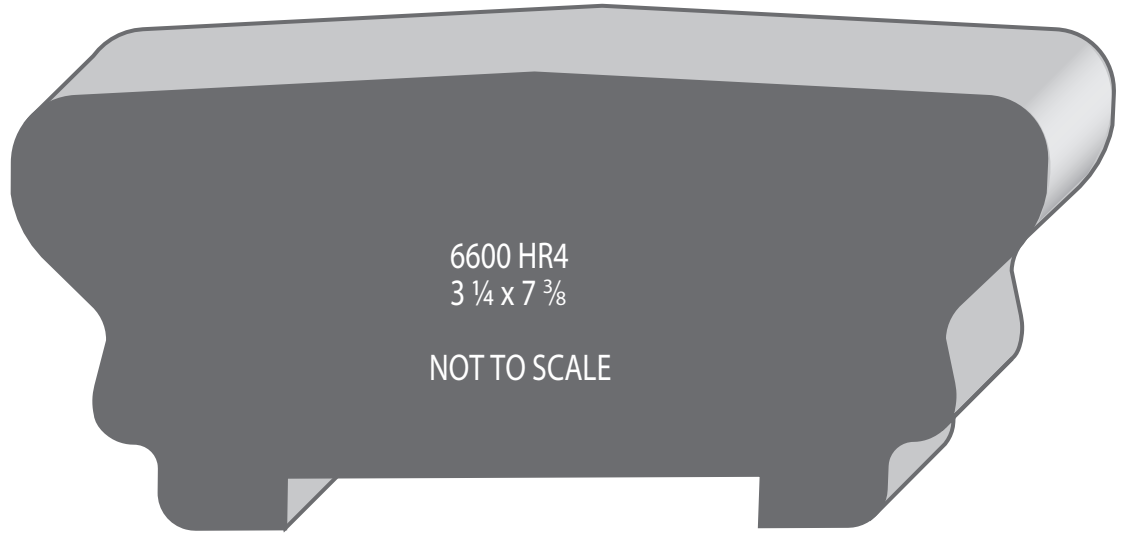






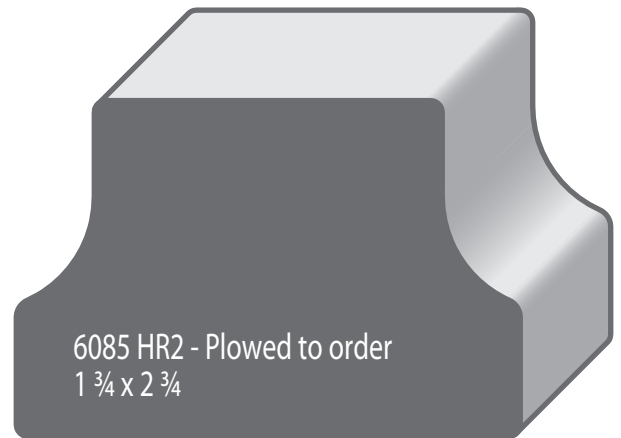
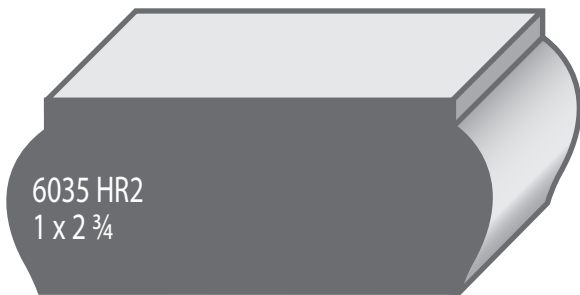
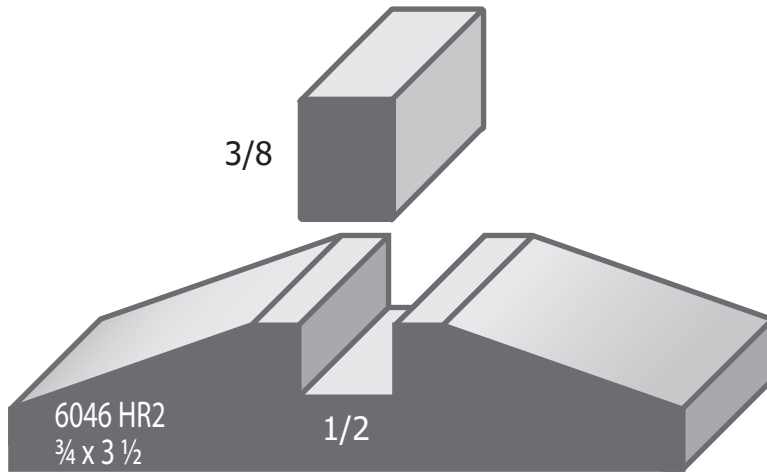
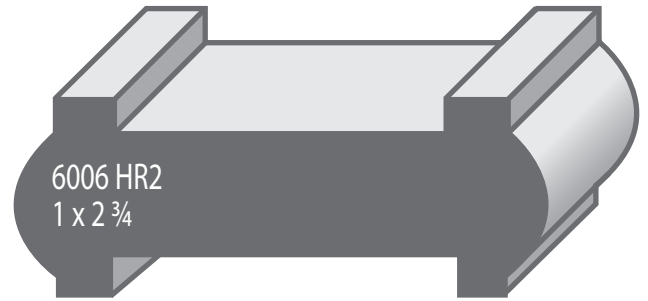
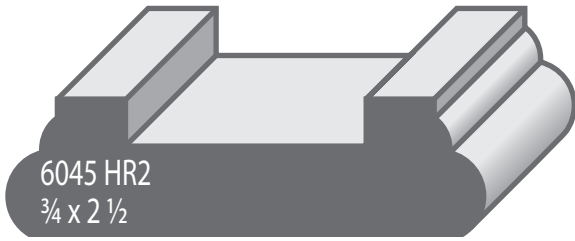


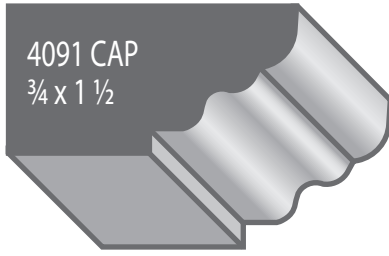




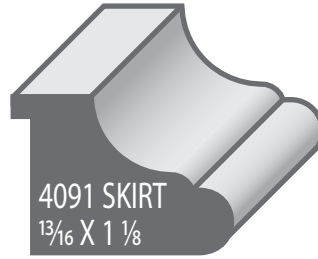




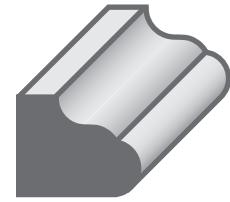




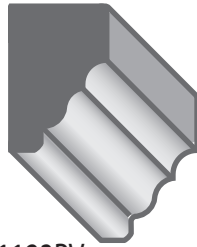
4091 CAP  
3/4 x 1 1/2



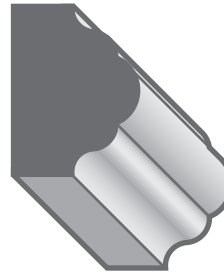
4091 SKIRT  
1 3/16 X 1 1/8



2091 SKIRT  
1/2 X 5/8



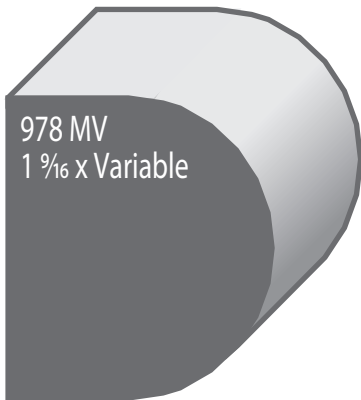
1123PV  
3/4 x 1/2  
Michael's Newel Trim



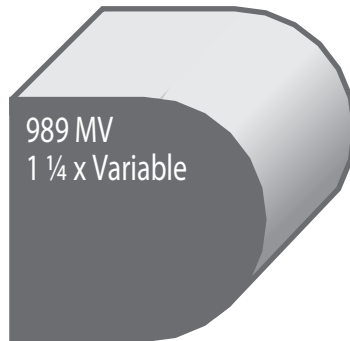
4091 NECK  
1 1/16 X 7/8



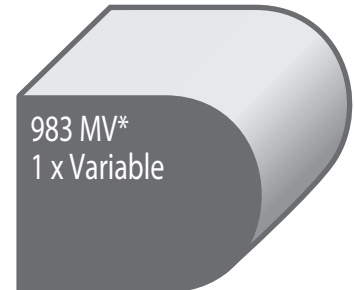
4093 M1  
1 7/16 X 3/4



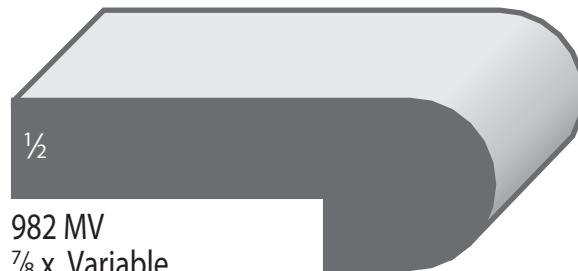
978 MV  
1 1/16 x Variable



989 MV  
1 1/4 x Variable



983 MV\*  
1 x Variable



1/2  
982 MV  
7/8 x Variable