



# Section C - Stair Parts



## McCoy Millwork

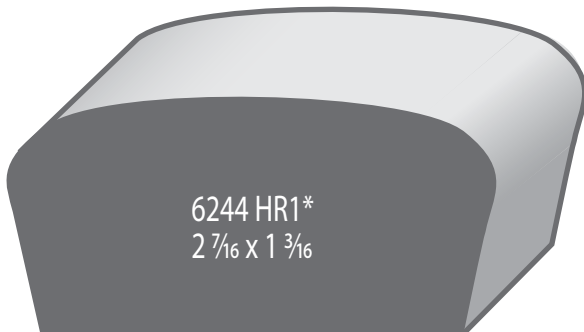
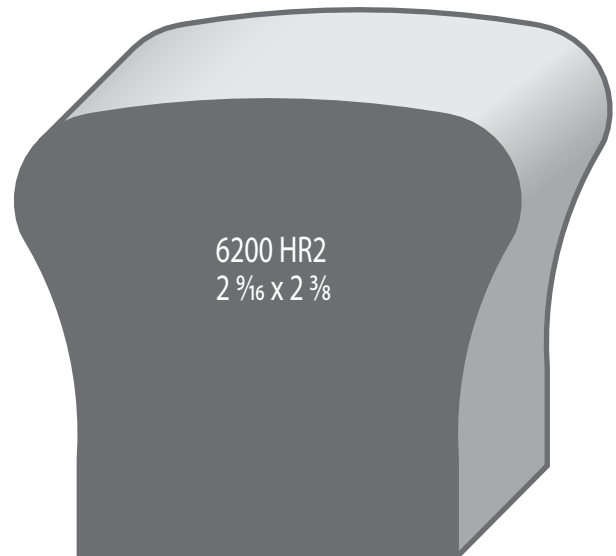
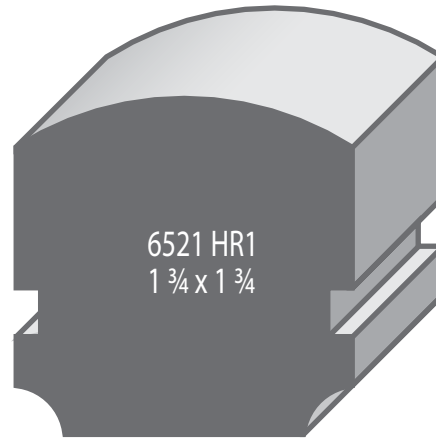
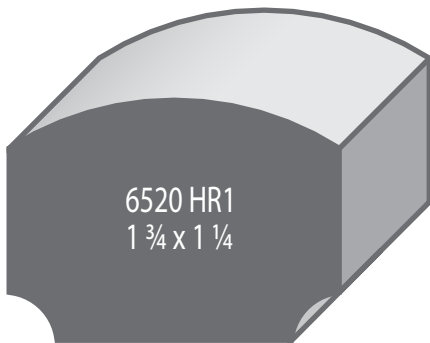
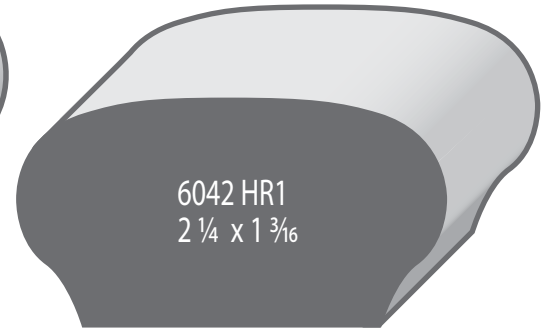
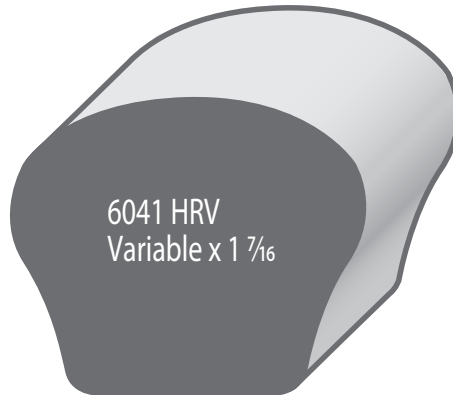
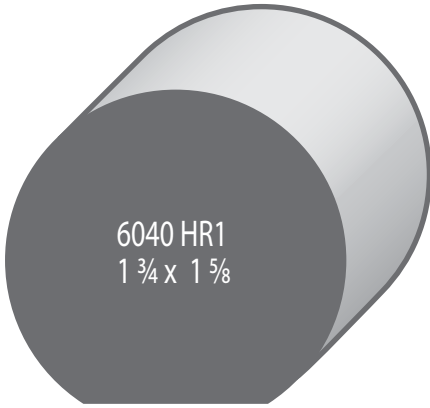
### Custom Shop Services

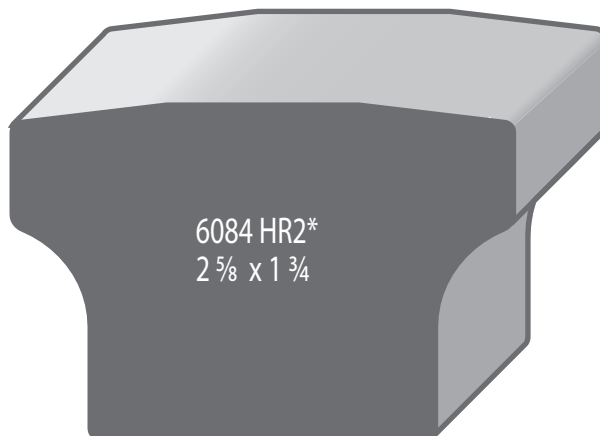
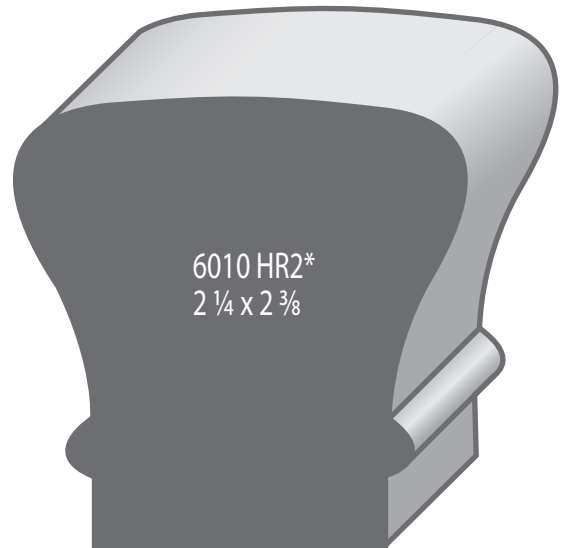
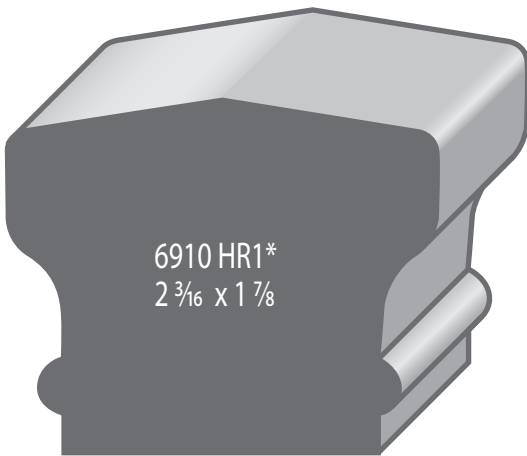
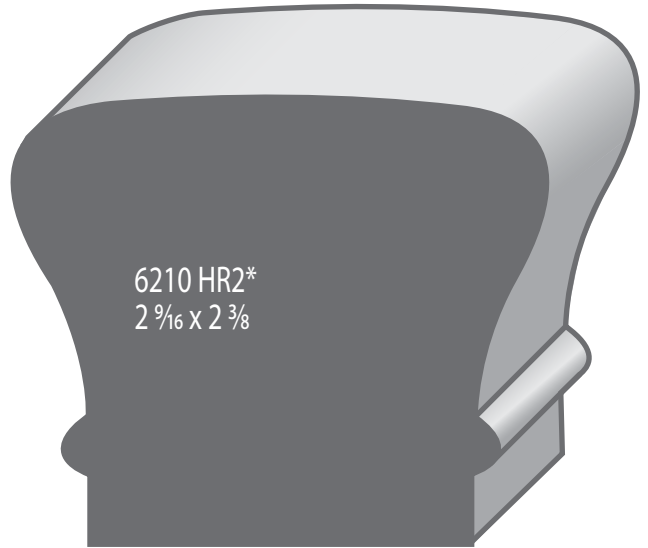
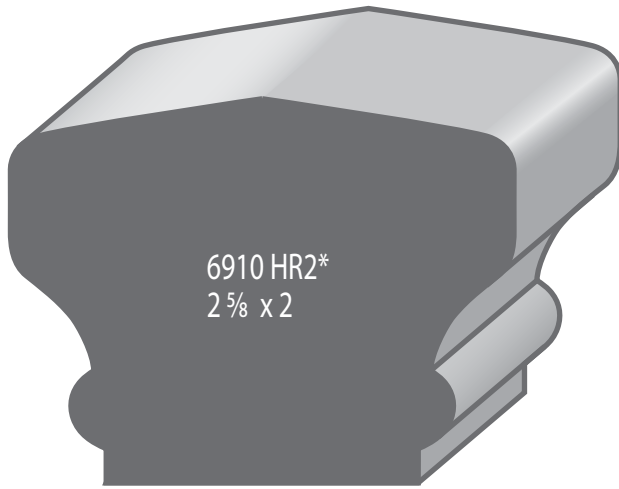
For custom profiles pricing is determined by the chosen species of wood and quantity. Provide the following:

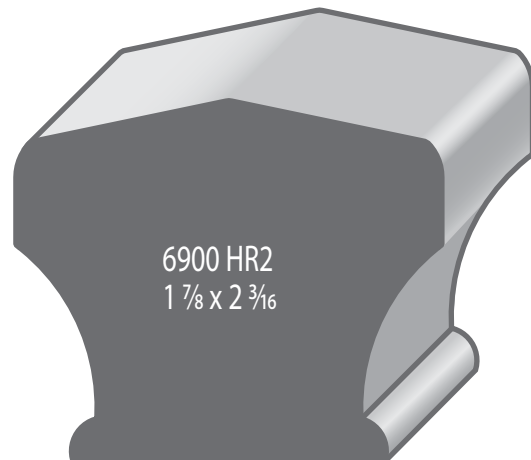
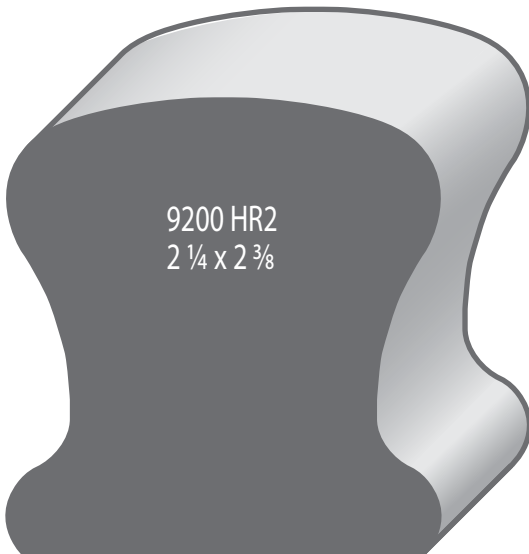
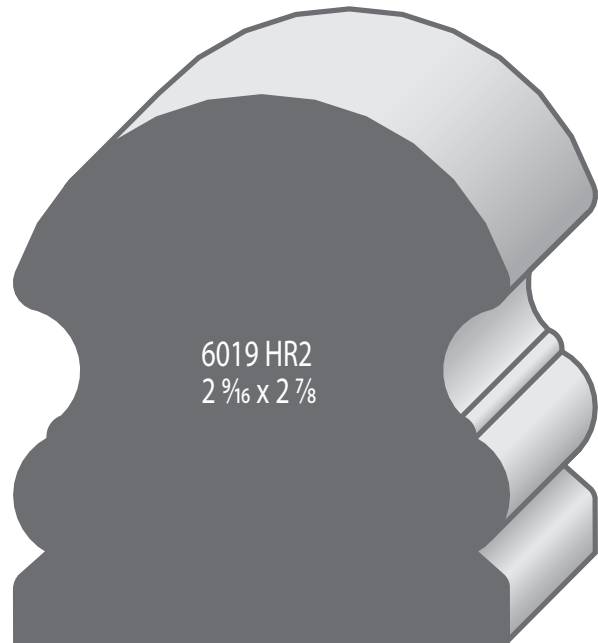
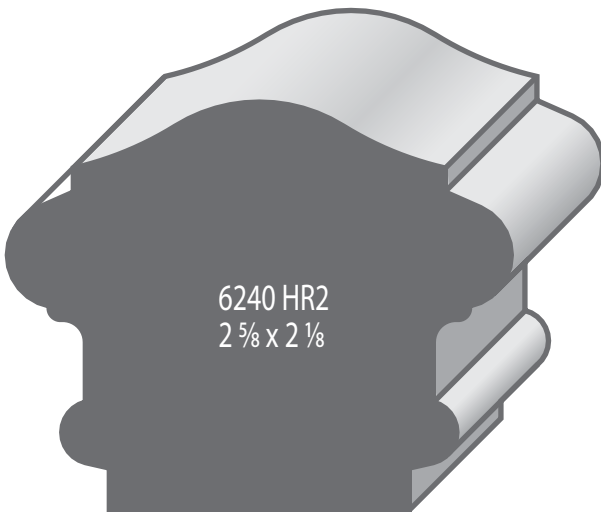
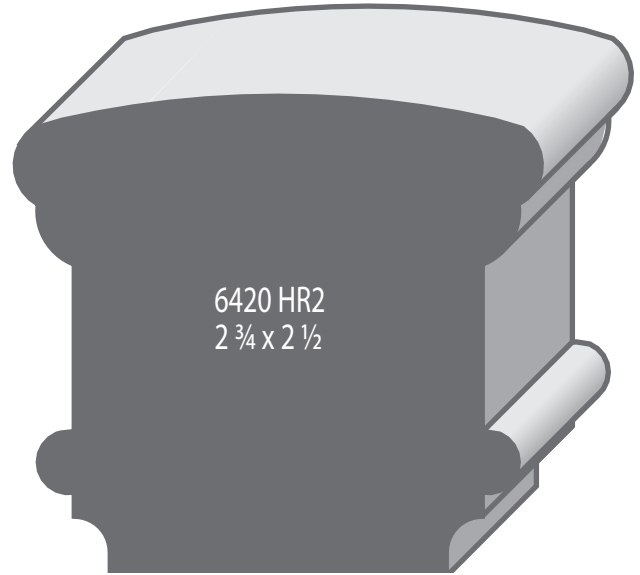
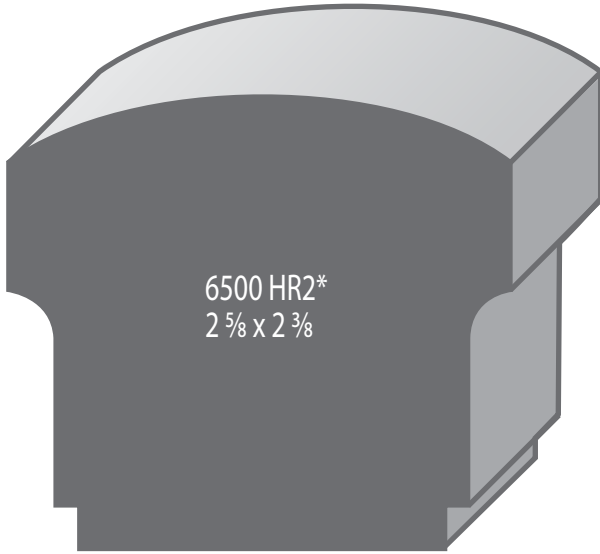
1. A sample or scale drawing of the profile.
2. Amount of moulding needed in Lineal Feet.
3. Preferred species of wood.
4. Preferred final finish (paint or stain).

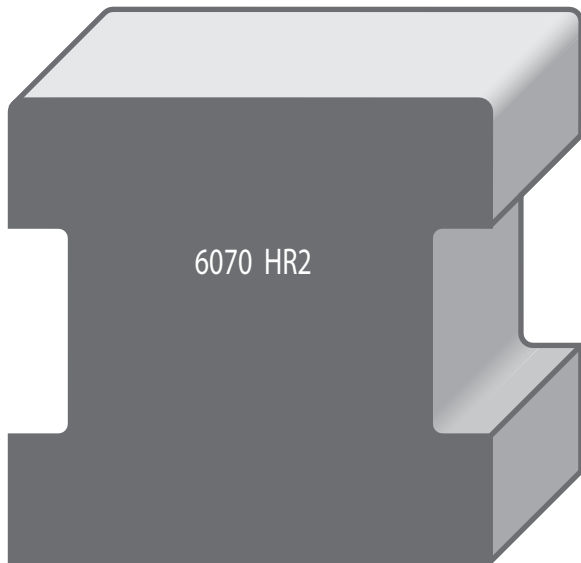
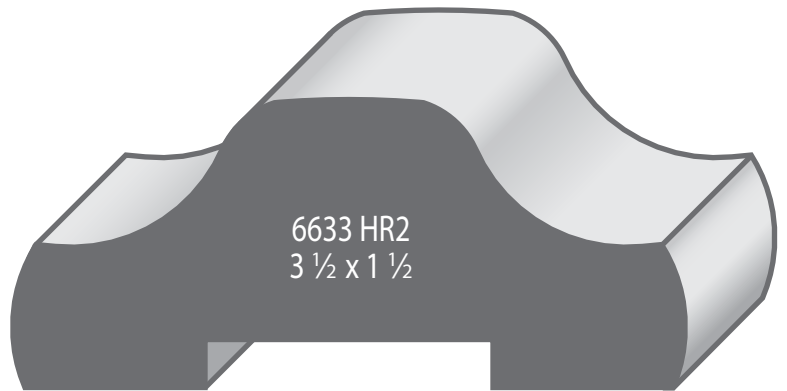
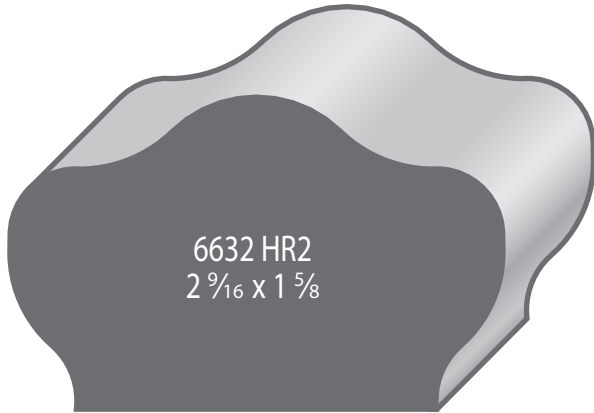
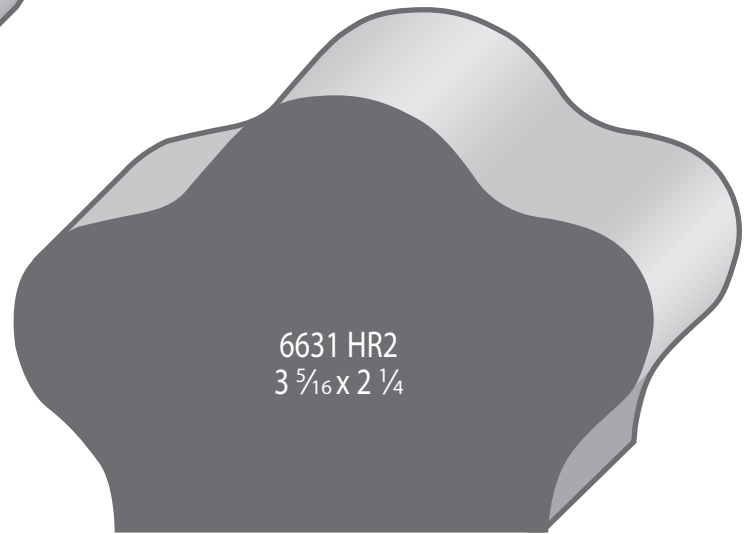
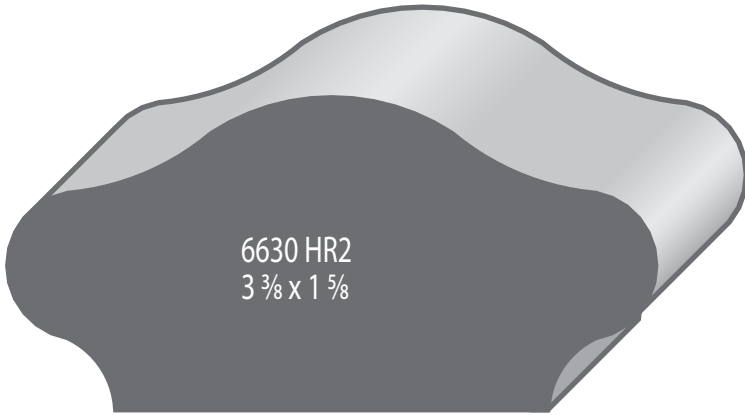
Send us your information via email or come in for a quote. You can expect to hear from us regarding pricing in 2 days.  
Manufacturing time varies: 2 days-2 weeks.

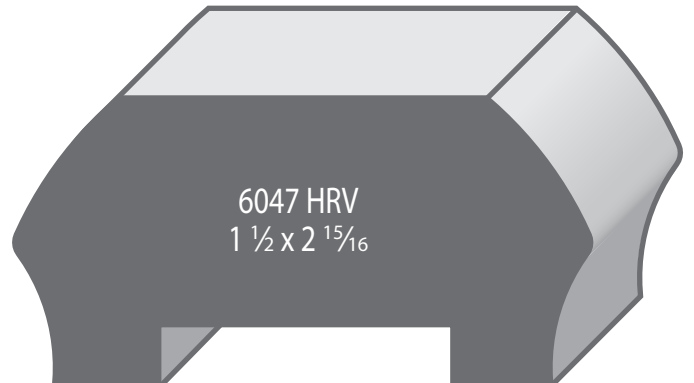
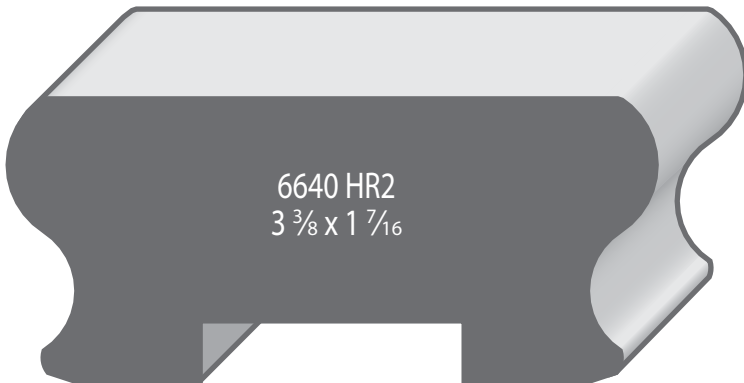
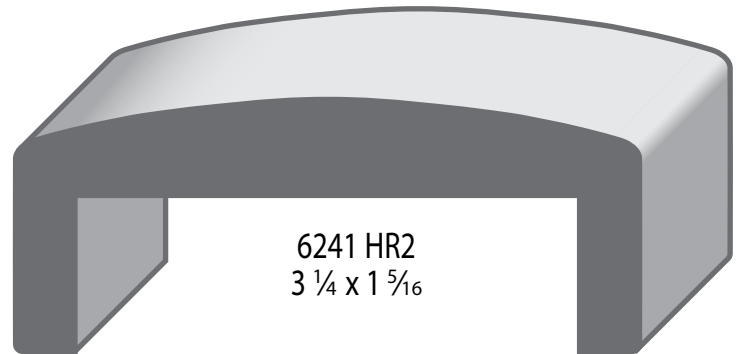
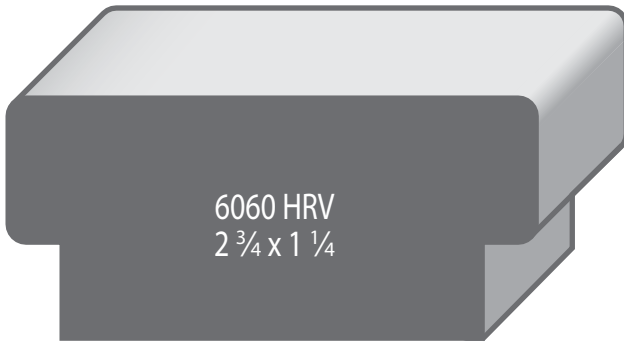
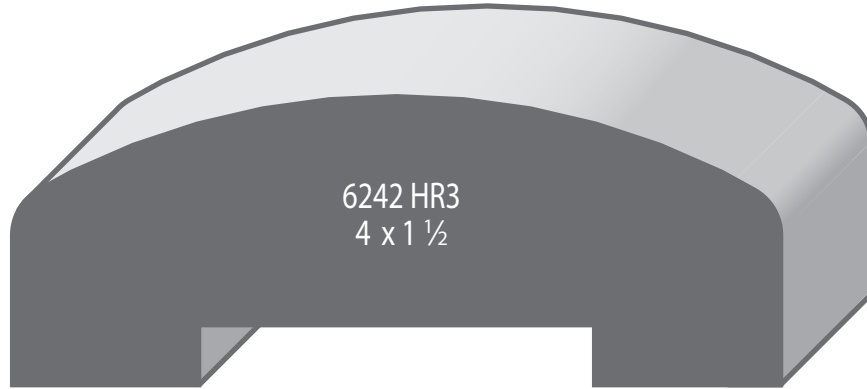
Profile #	Pg #	Profile #	Pg #	Profile #	Pg #	Profile #	Pg #
978 MV Nosing	123	6600 HR4 Balustrade	120				
982 MV Landing Tread	123	6610 HR4 Balustrade	120				
983 MV* Nosing	123	6620 HR2 Balustrade	120				
989 MV Nosing	123	6630 HR2 Handrail	117				
2091 SKIRT Newel Trim	123	6631 HR2 Handrail	117				
4091 CAP Newel Trim	123	6632 HR2 Handrail	117				
4091 NECK Moulding	123	6633 HR2 Handrail	117				
4091 SKIRT	123	6634 HR4 Porch Rail	119				
4093 M1 Newel Trim	123	6640 HR2 Handrail	118				
6006 HR2 Shoerail	122	6700 HR3* Porch Rail	119				
6010 HR2* Handrail	115	6900 HR2 Handrail	116				
6019 HR2 Handrail	116	6910 HR1* Handrail	115				
6025 HR2 Shoe Rail	122	6910 HR2* Handrail	115				
6035 HR2 Shoerail	122	9200 HR2 Handrail	116				
6040 HR1* Handrail	114						
6041 HRV Handrail	114	K					
6042 HR1* Handrail	114	KH1 HR4 Safety Rail	121				
6043 HRV Handrail	114	KH2 HR4 Safety Rail	121				
6045 HR2 Shoerail	122						
6046 HR2 Shoerail	122						
6047 HRV Handrail	118						
6048 HRV Handrail	119						
6060 HRV Handrail	118						
6083 HR2 Handrail	115						
6084 HR2* Handrail	115						
6085 HR2 Shoerail	122						
6200 HR2 Handrail	114						
6210 HR2* Handrail	115						
6240 HR2 Handrail	116						
6241 HR2 Handrail	118						
6242 HR3 Handrail	118						
6244 HR1* Handrail	114						
6420 HR2 Handrail	116						
6500 HR2* Handrail	116						
6520 HR1 Handrail	114						
6521 HR1 Handrail	114						

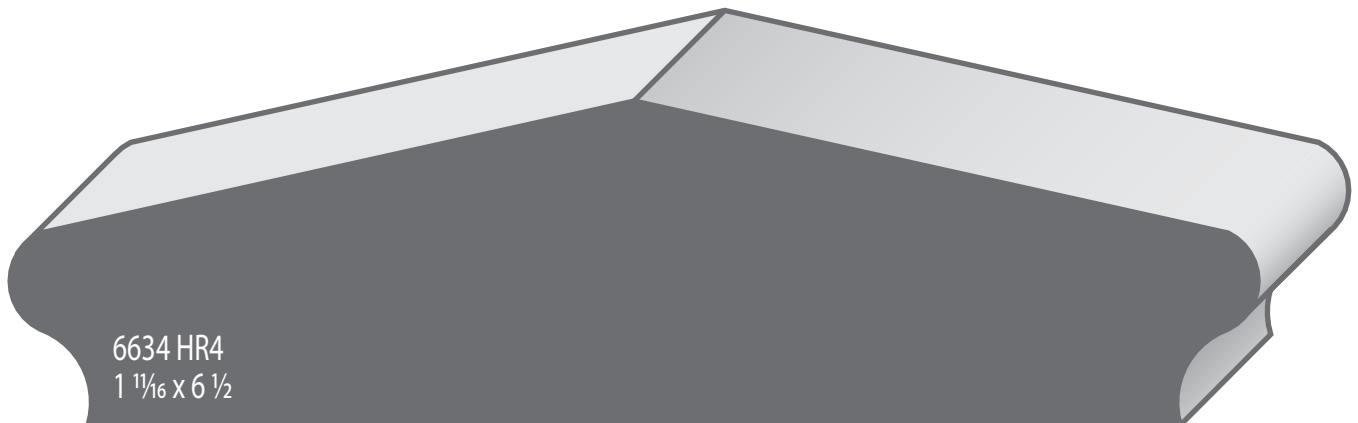
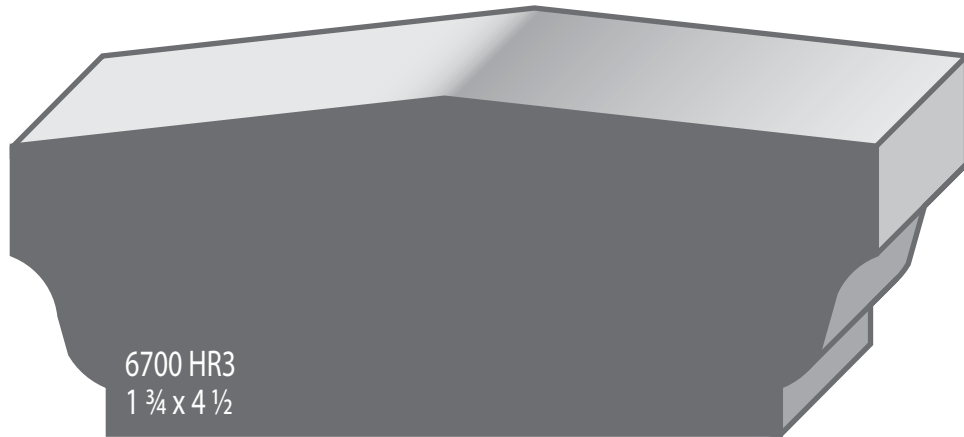


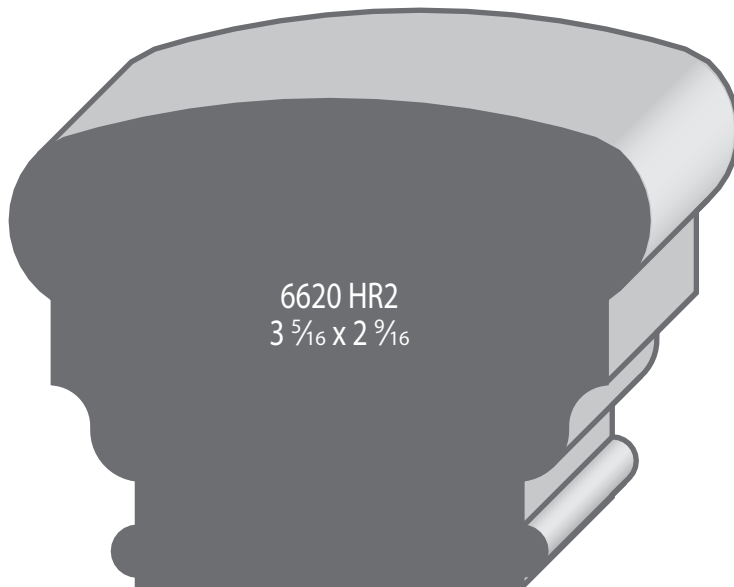
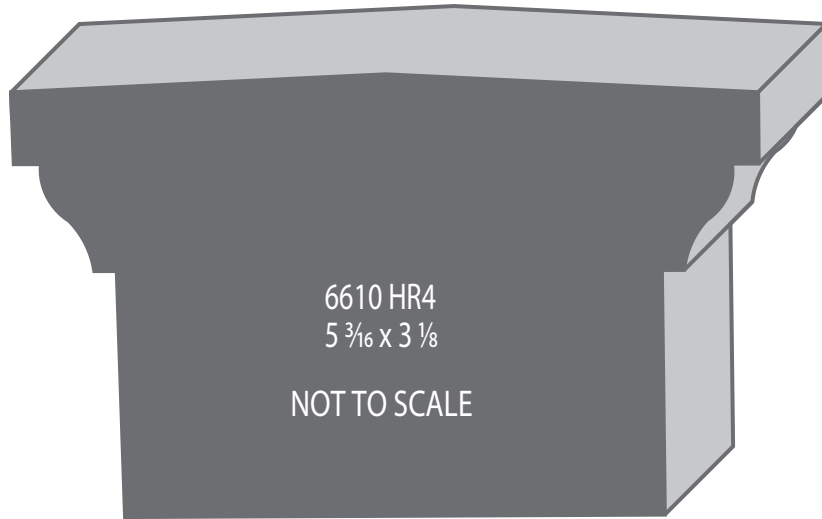
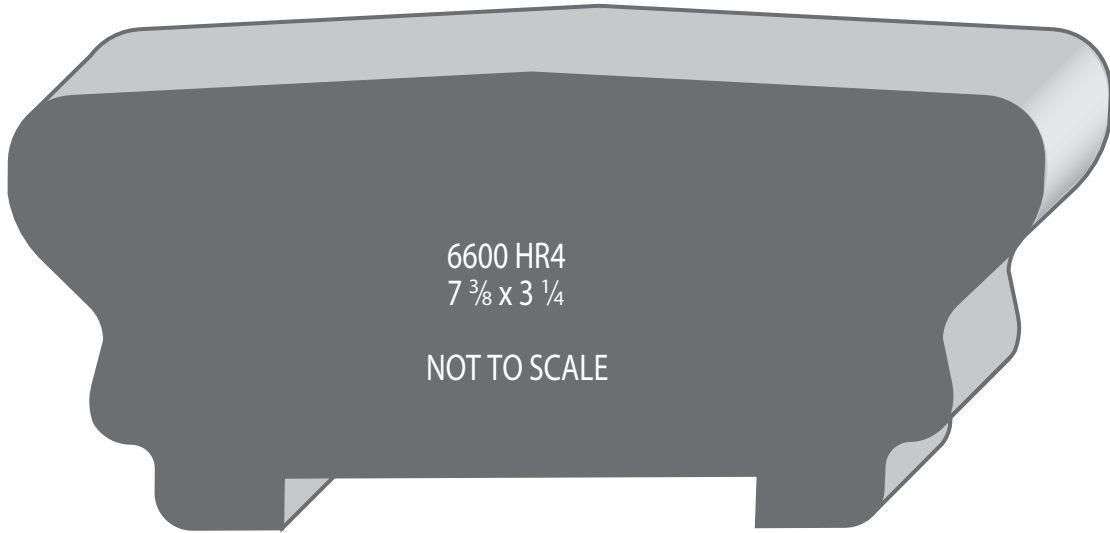








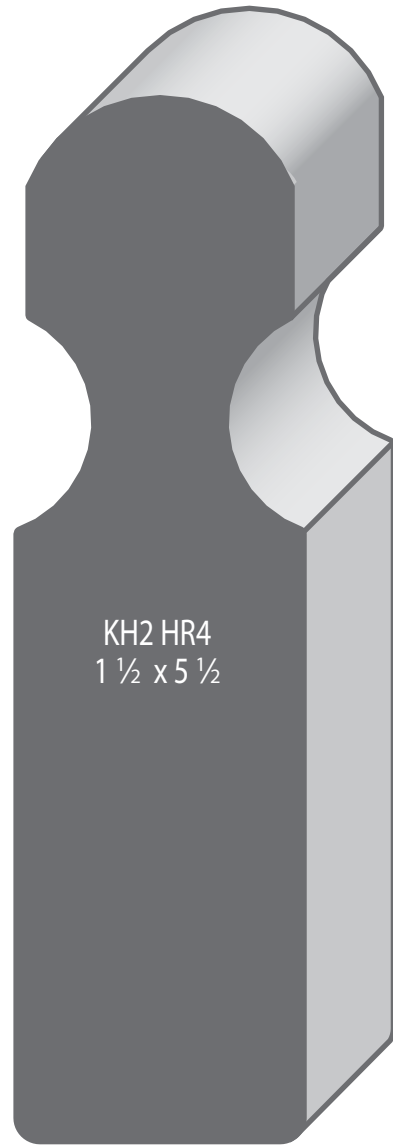




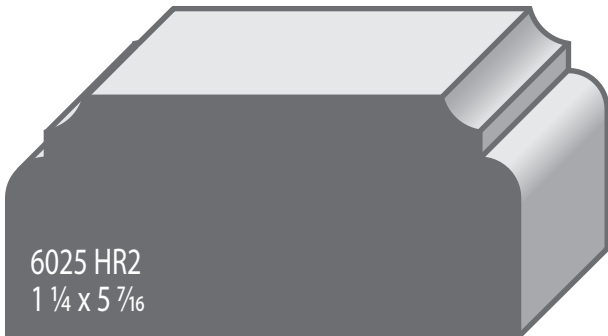
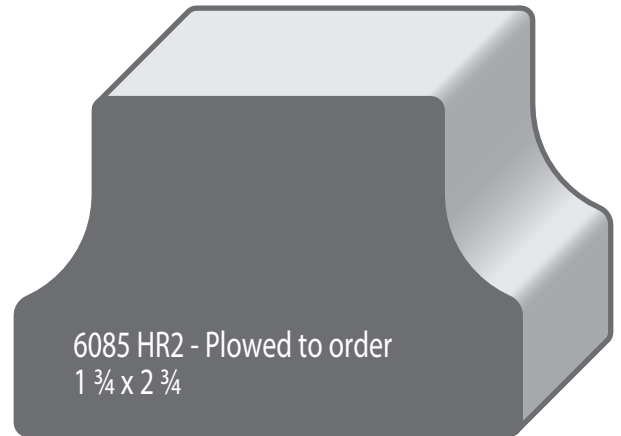
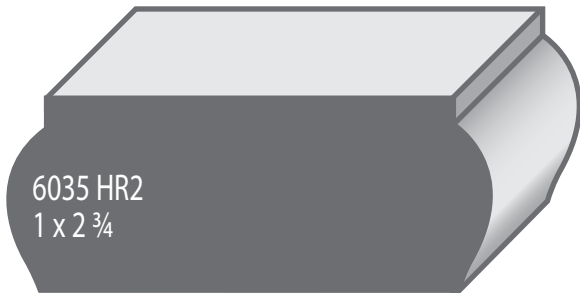
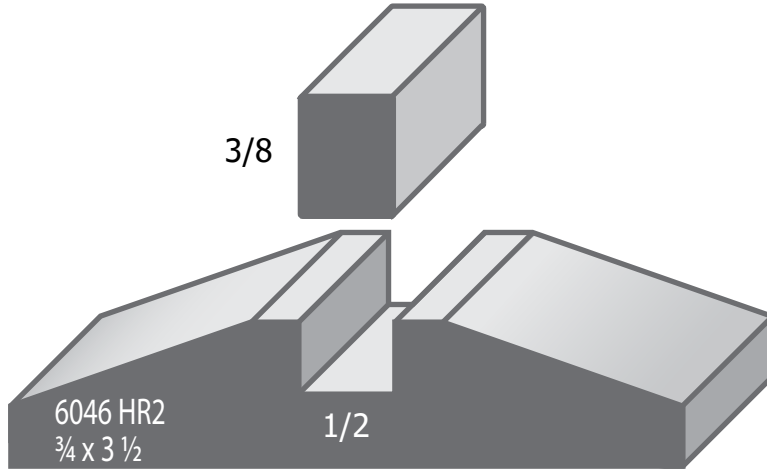
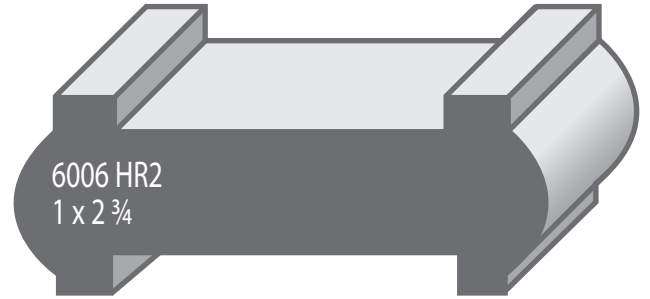
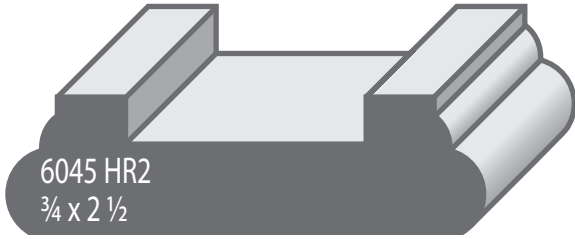


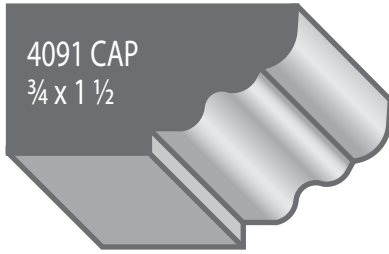


KH1 HR4  
1 1/2 x 5 1/2

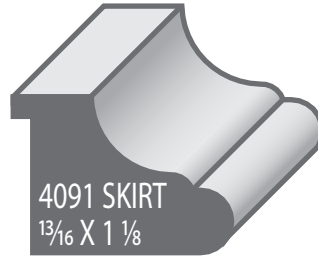


KH2 HR4  
1 1/2 x 5 1/2

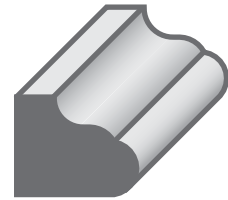




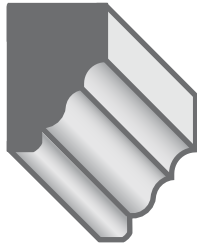
4091 CAP  
3/4 x 1 1/2



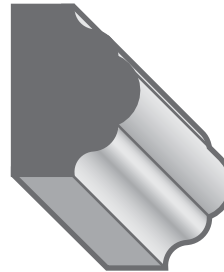
4091 SKIRT  
1 3/16 x 1 1/8



2091 SKIRT  
1/2 x 5/8



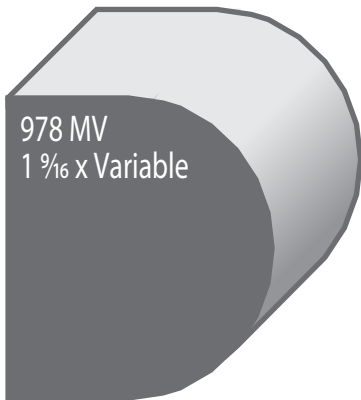
1123PV  
1/2 x 3/4  
Michael's Newel Trim



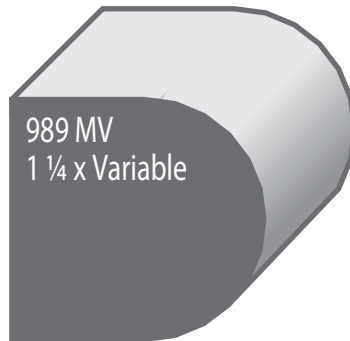
4091 NECK  
7/8 x 1 1/16



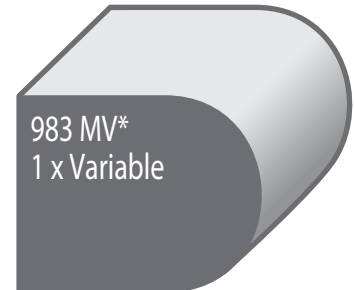
4093 M1  
3/4 x 1 7/16



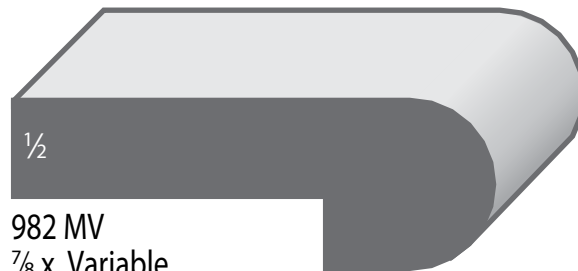
978 MV  
1 5/16 x Variable



989 MV  
1 1/4 x Variable



983 MV\*  
1 x Variable



1/2  
982 MV  
7/8 x Variable