



McCOY MILLWORK

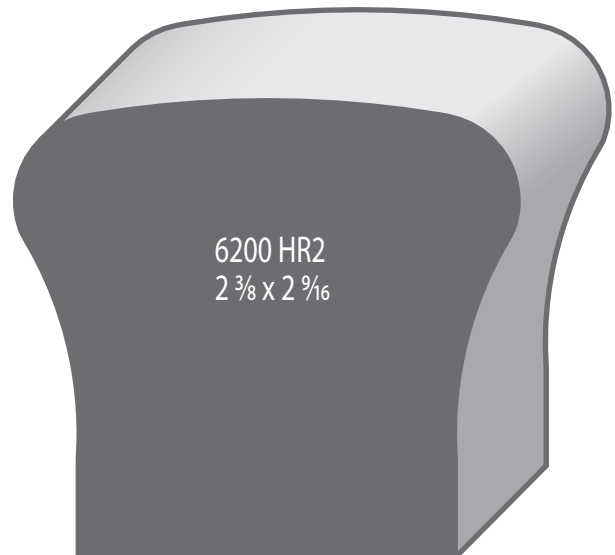
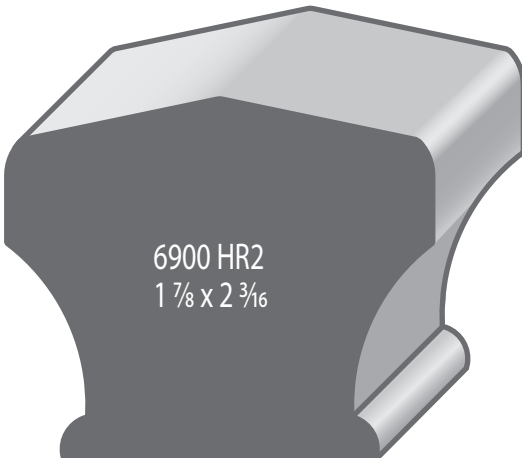
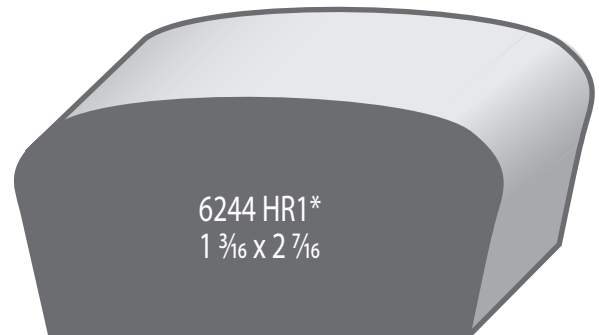
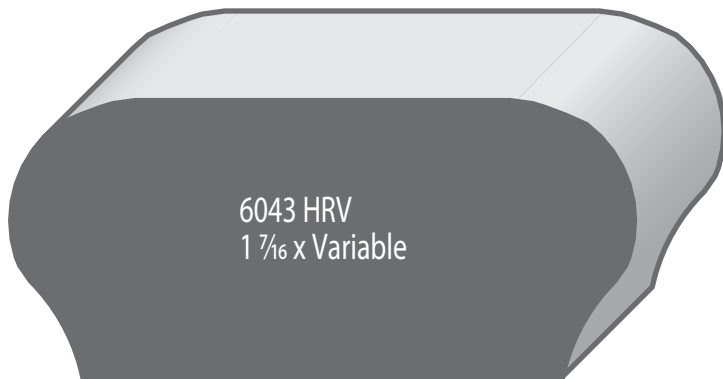
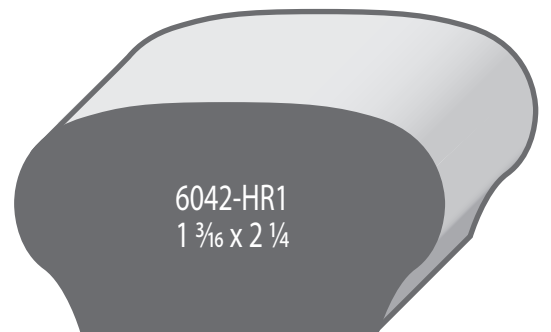
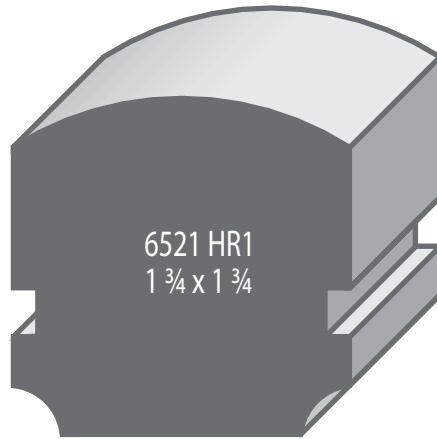
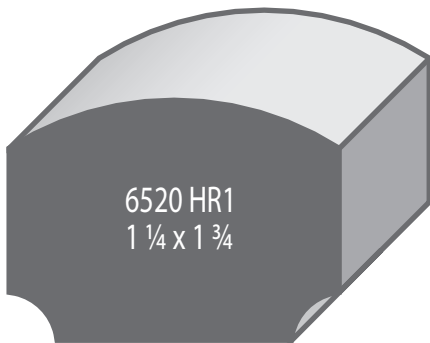
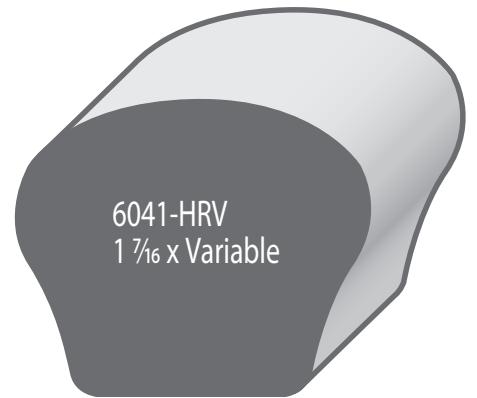
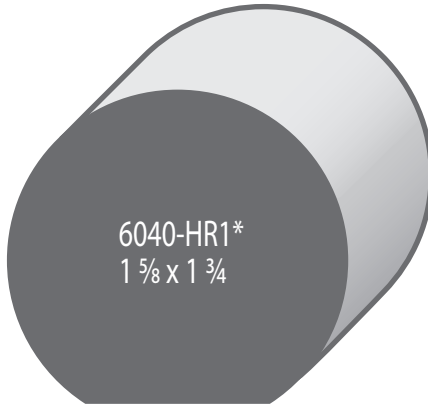
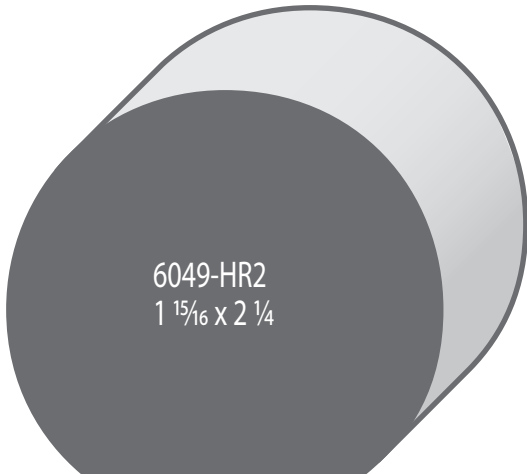
Custom Shop Services

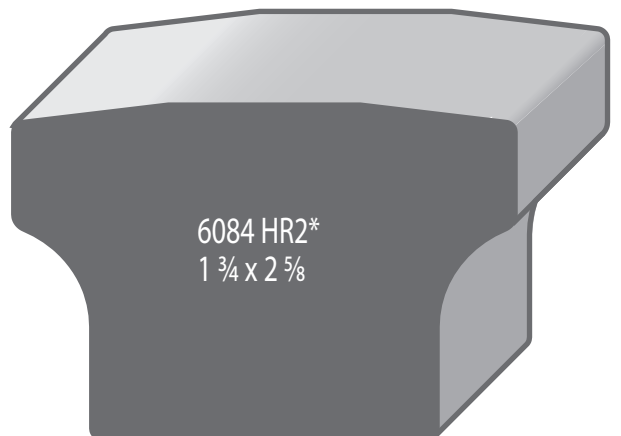
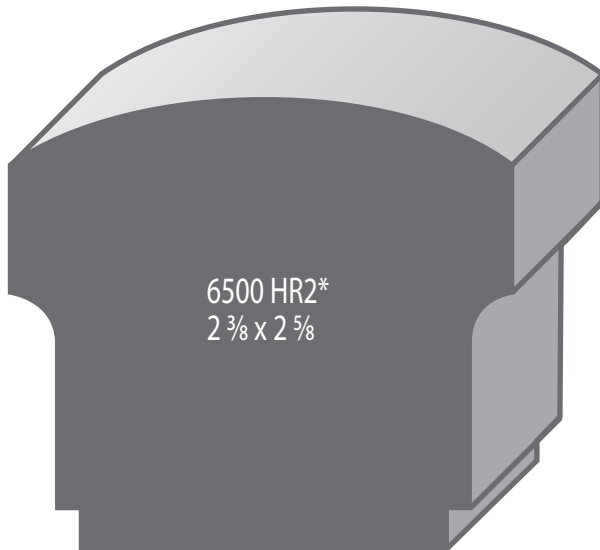
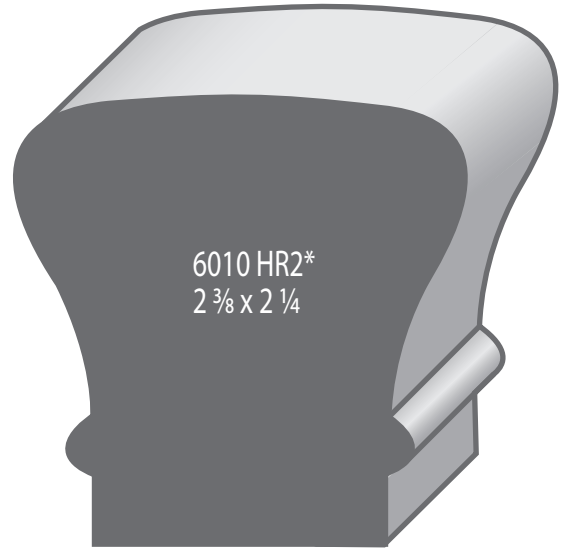
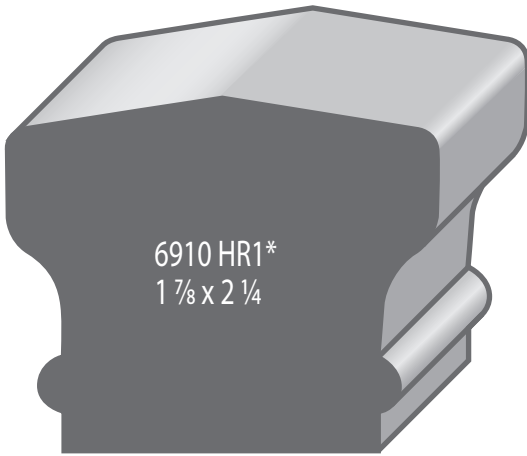
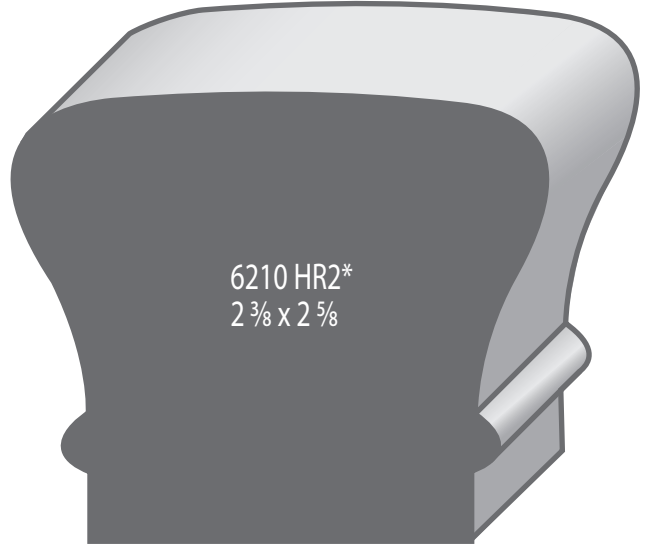
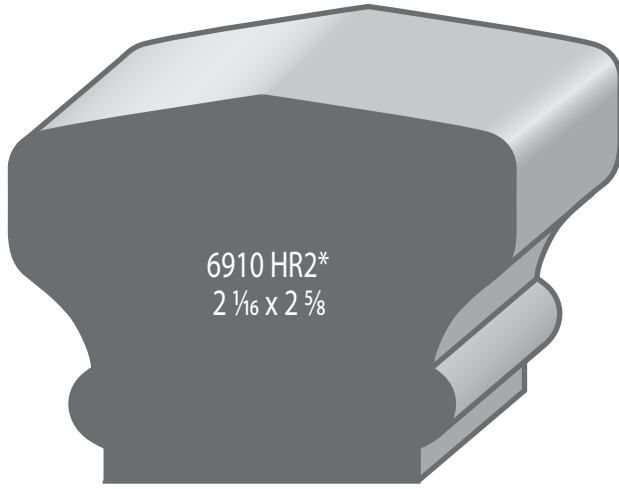
For custom profiles pricing is determined by the chosen species of wood and quantity. Provide the following:

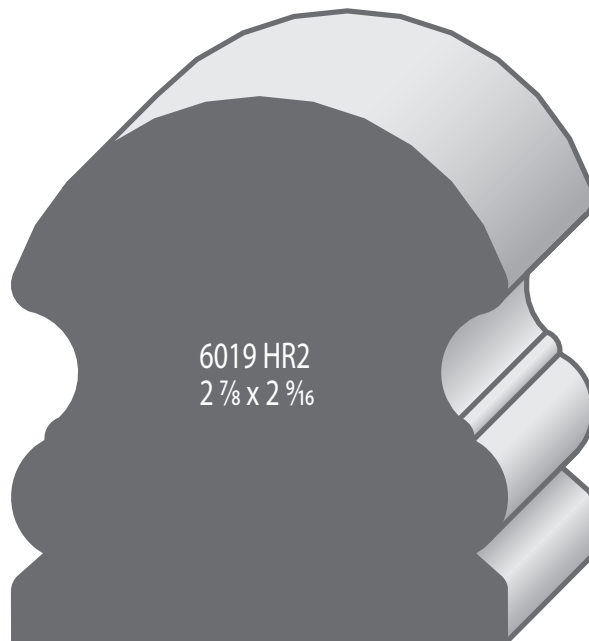
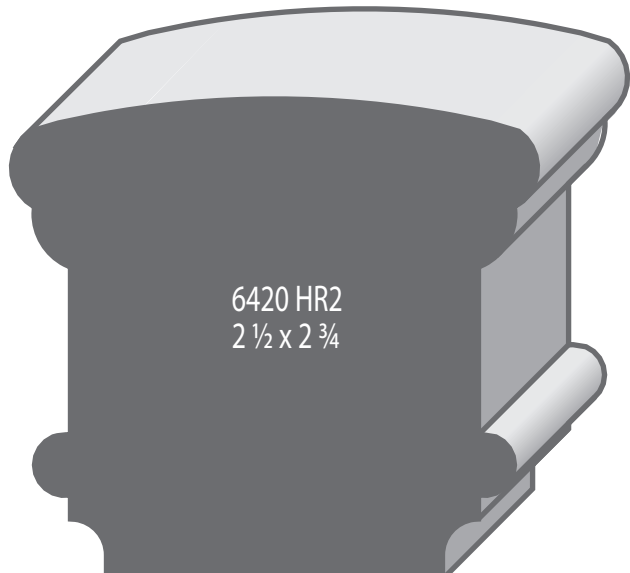
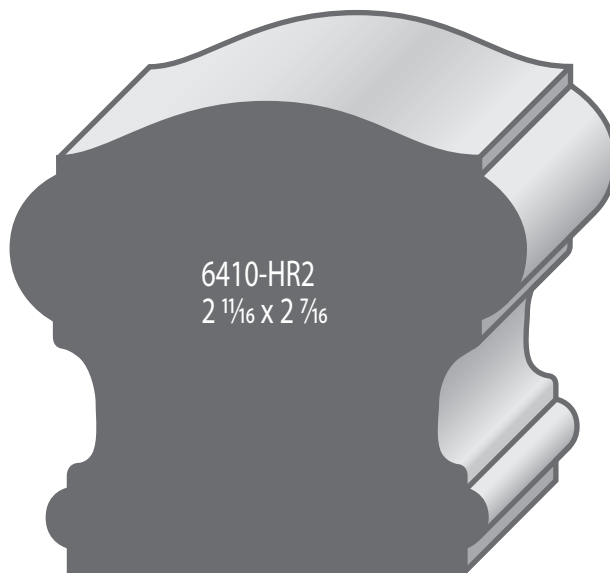
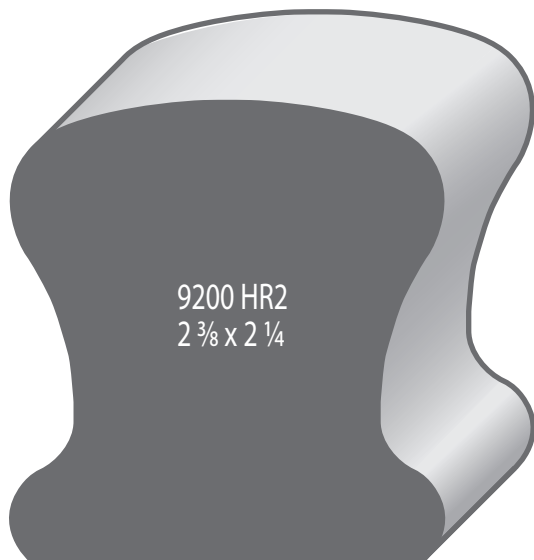
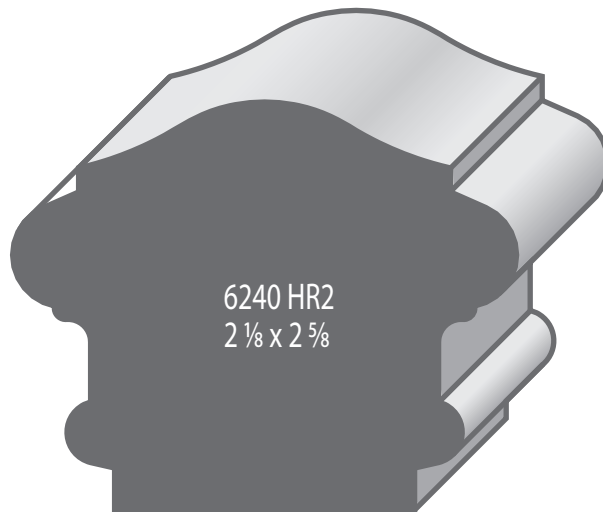
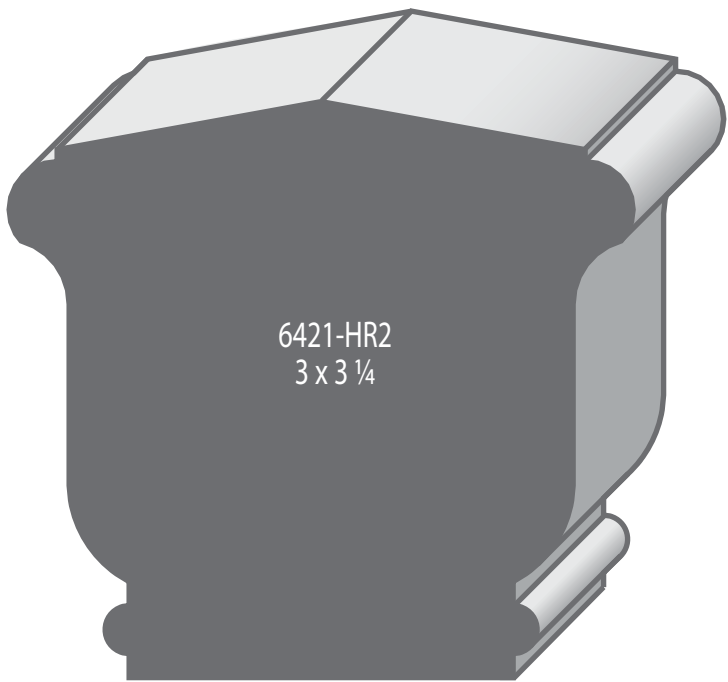
1. A sample or scale drawing of the profile.
2. Amount of moulding needed in Lineal Feet.
3. Preferred species of wood.
4. Preferred final finish (paint or stain).

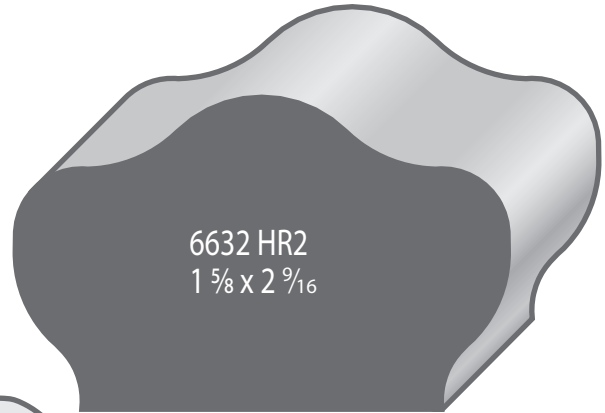
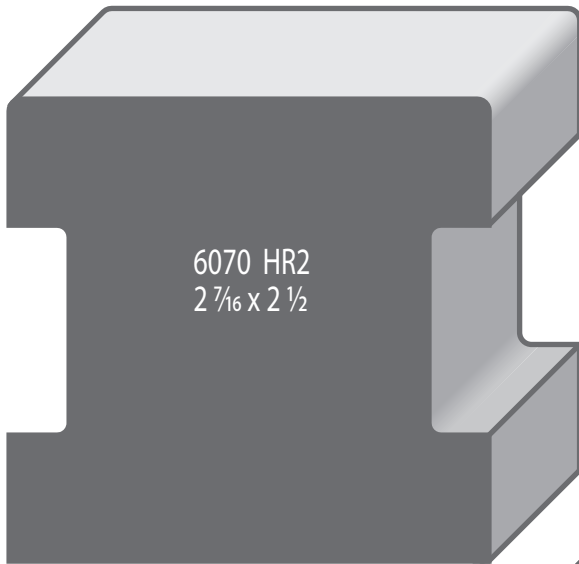
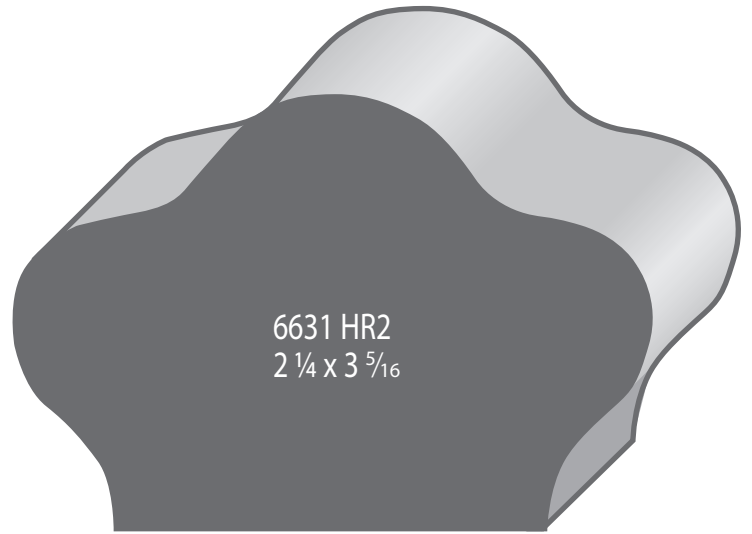
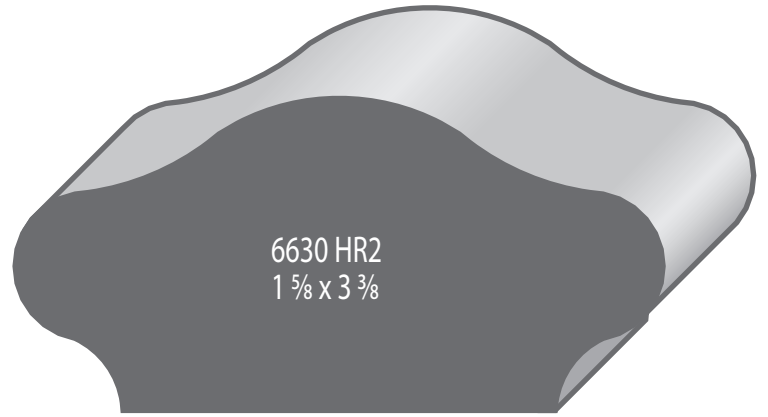
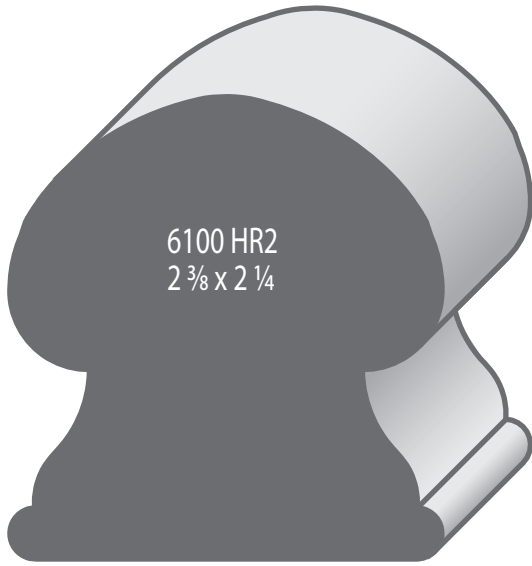
Send us your information via email or come in for a quote. You can expect to hear from us regarding pricing in 2 days.
Manufacturing time varies: 2 days-2 weeks.

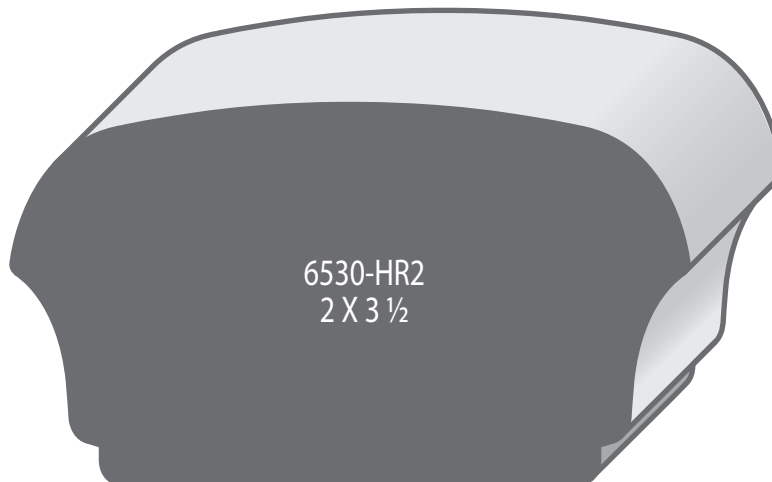
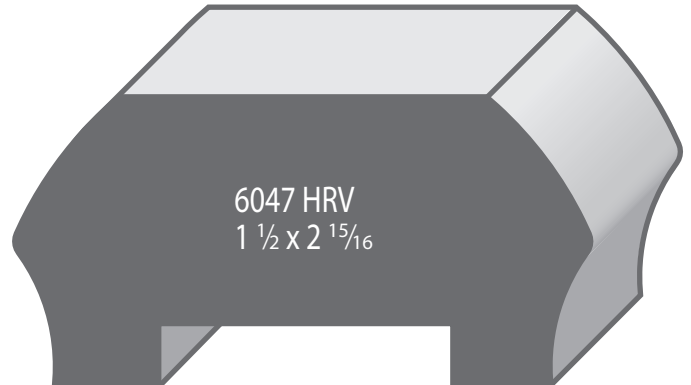
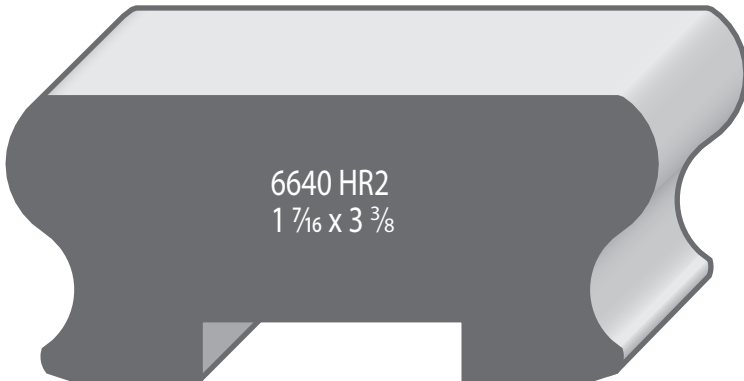
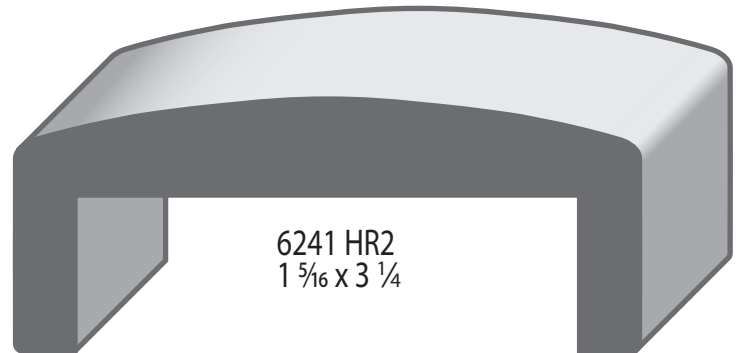
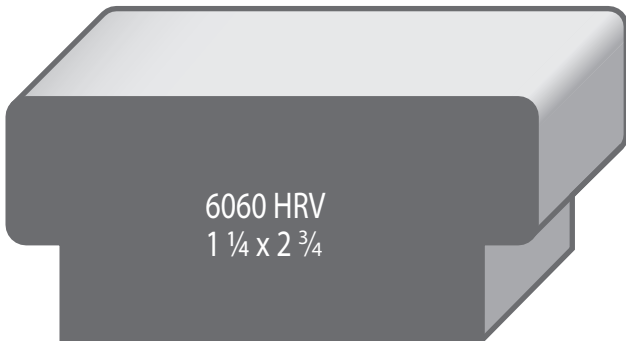
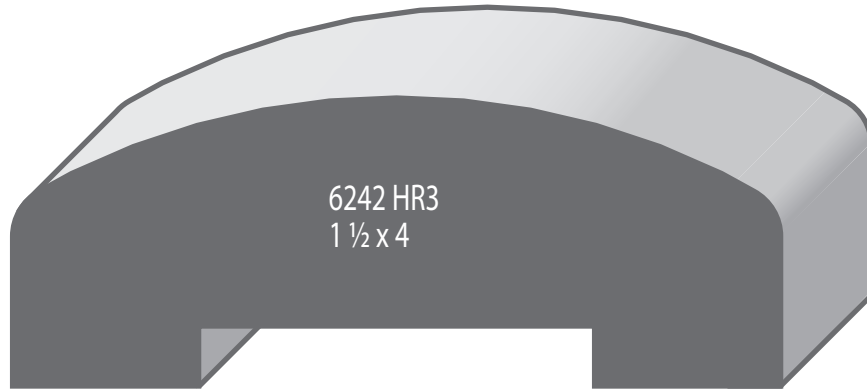
Profile #	Pg #	Profile #	Pg #	Profile #	Pg #	Profile #	Pg #
983 MV* Nosing	170	6520 HR1 Handrail	161				
987-M2 Landing Tread	170	6521 HR1 Handrail	161				
2091 SKIRT Newel Trim	170	6530-HR2 Handrail	165				
4091 CAP Newel Trim	170	6600 HR4 Balustrade	166				
4091 NECK Moulding	170	6610 HR4 Balustrade	169				
4091 SKIRT	170	6620 HR2 Balustrade	167				
4093 M1 Newel Trim	170	6630 HR2 Handrail	164				
6006 HR2 Shoerail	169	6631 HR2 Handrail	164				
6010 HR2* Handrail	162	6632 HR2 Handrail	164				
6019 HR2 Handrail	163	6633 HR2 Handrail	164				
6025 HR2 Shoe Rail	169	6634 HR4 Porch Rail	166				
6035 HR2 Shoerail	169	6640 HR2 Handrail	165				
6040 HR1* Handrail	161	6650-HR2 Handrail	167				
6041 HRV Handrail	161	6651-HR2 Shoe Rail	169				
6042 HR1* Handrail	161	6652-HR2 Handrail	167				
6043 HRV Handrail	161	6700 HR3* Porch Rail	166				
6045 HR2 Shoerail	169	6900 HR2 Handrail	161				
6046 HR2 Shoerail	169	6910 HR1* Handrail	162				
6047 HRV Handrail	165	6910 HR2* Handrail	162				
6048 HRV Handrail	166	9200 HR2 Handrail	163				
6049-HR2 Handrail	161						
6060 HRV Handrail	165	K					
6070 HR2 Handrail	164	KH1 HR4 Safety Rail	168				
6084 HR2* Handrail	162	KH2 HR4 Safety Rail	168				
6085 HR2 Shoerail	169	KH3-HR4 Safety Rail	168				
6100 HR2 Handrail	164						
6200 HR2 Handrail	161						
6210 HR2* Handrail	162						
6240 HR2 Handrail	163						
6241 HR2 Handrail	165						
6242 HR3 Handrail	165						
6244 HR1* Handrail	161						
6410-HR2 Handrail	163						
6420 HR2 Handrail	163						
6421-HR2 Handrail	163						
6500 HR2* Handrail	162						

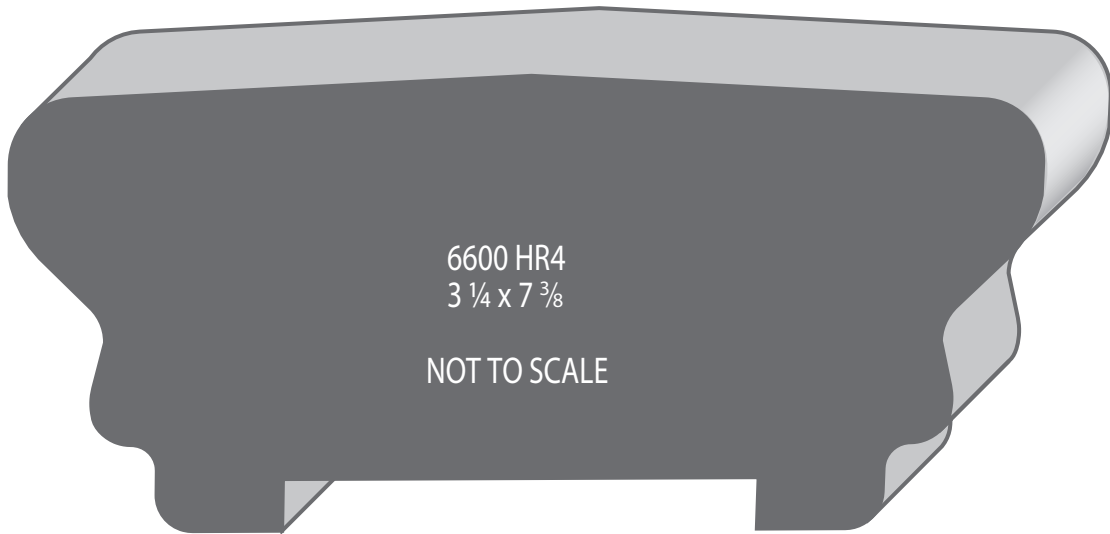












6600 HR4
3 1/4 x 7 3/8

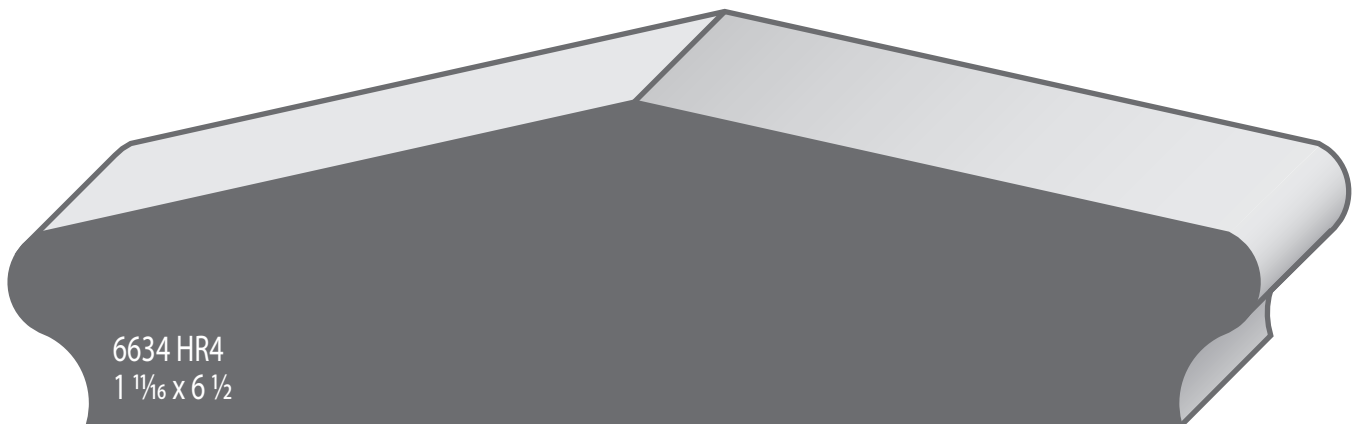
NOT TO SCALE



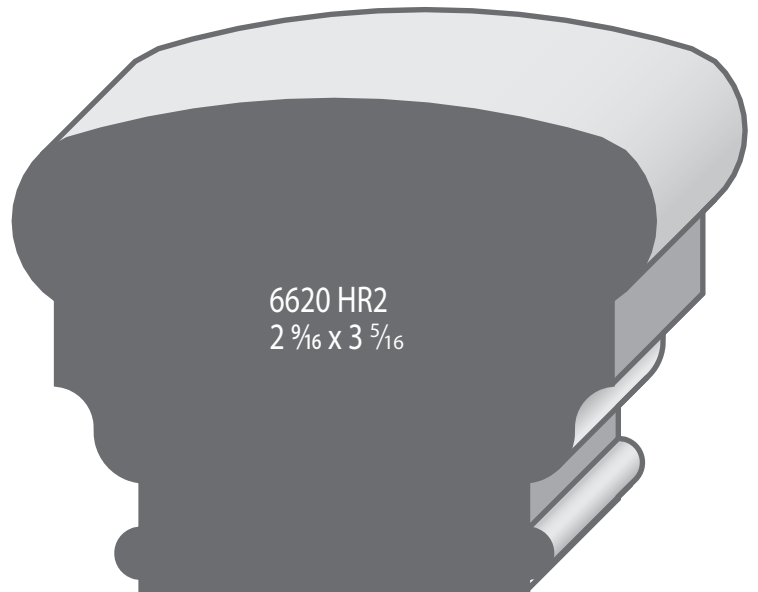
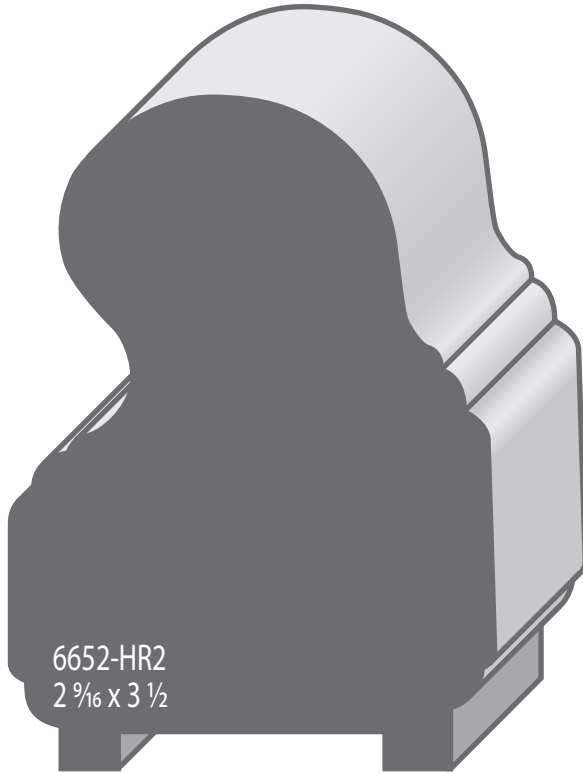
6700 HR3
1 3/4 x 4 1/2

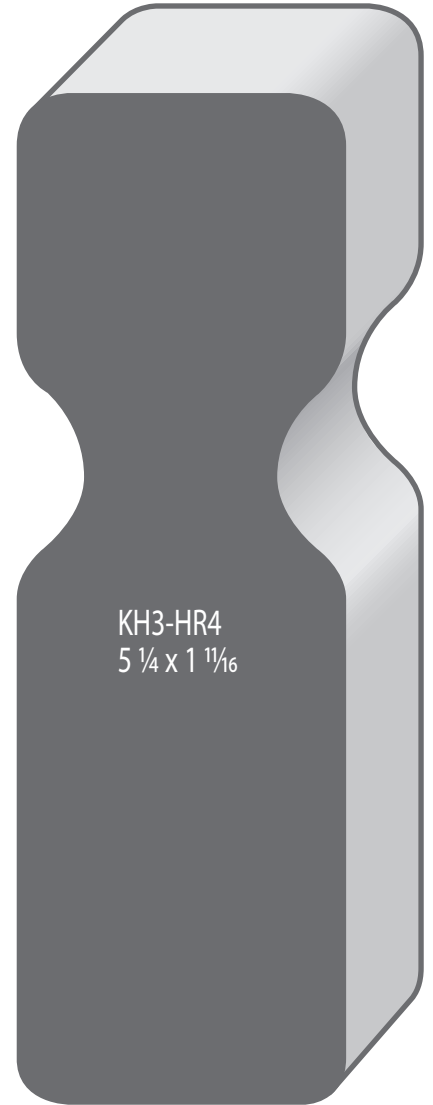
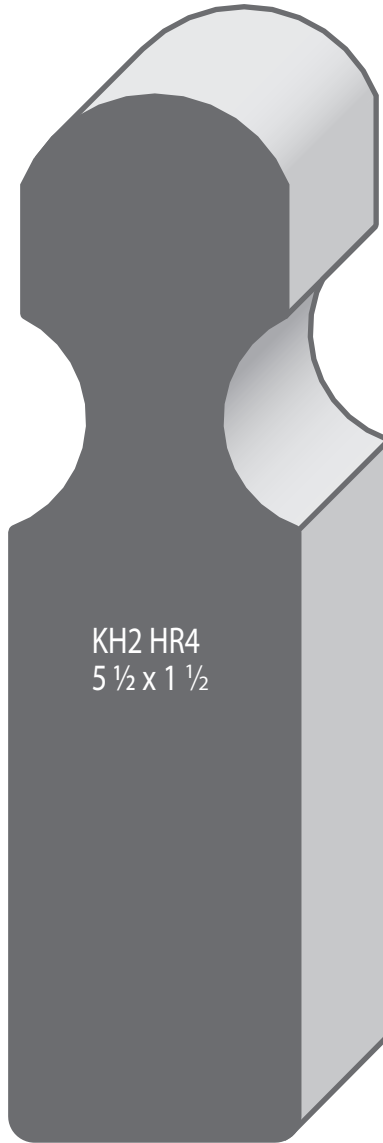


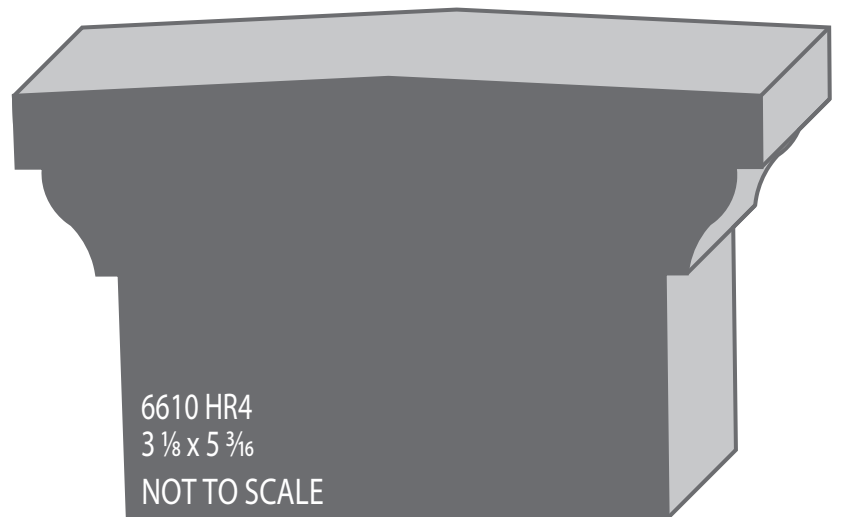
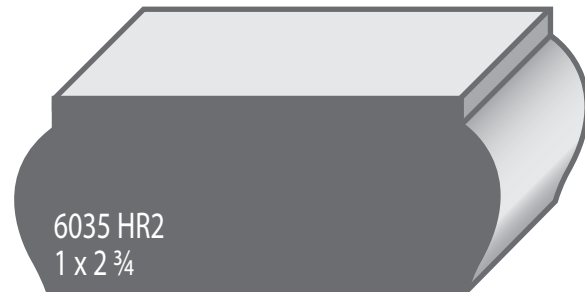
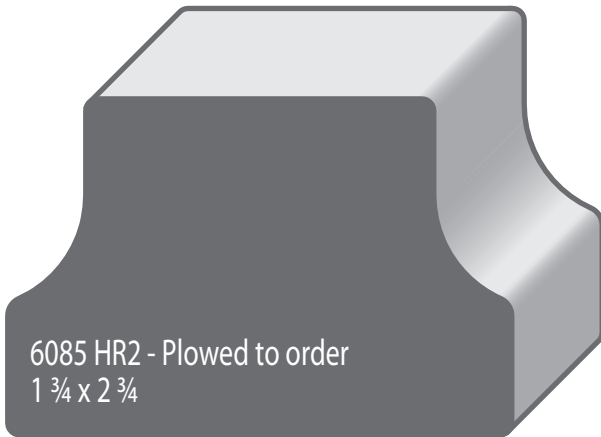
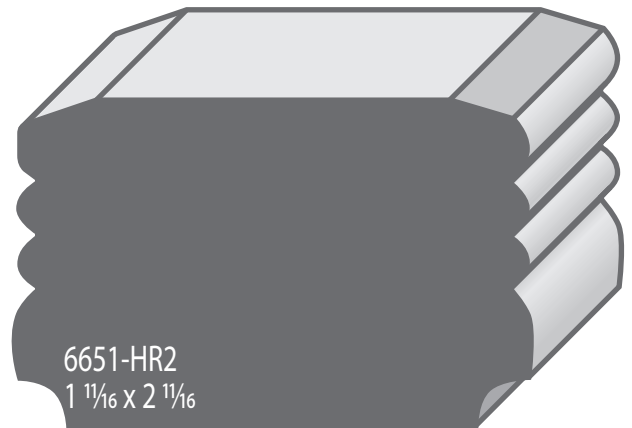
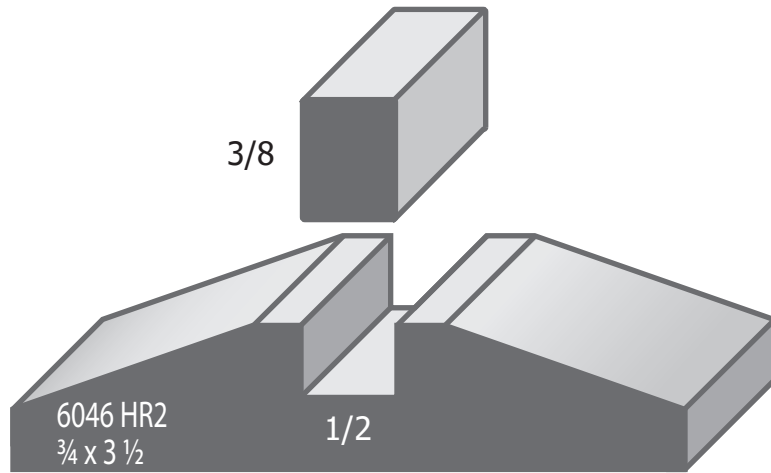
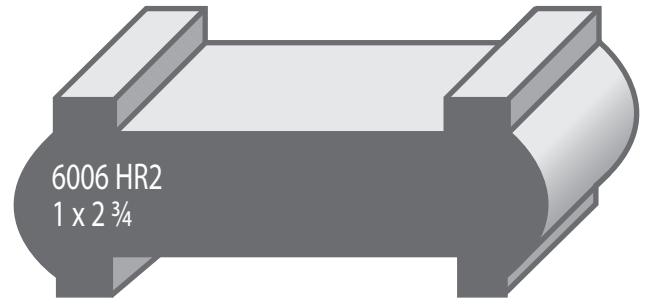
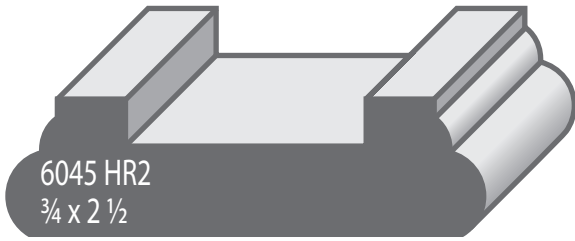
6048 HRV
1 7/16 x 5 1/8

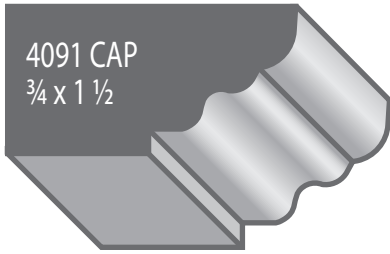


6634 HR4
1 11/16 x 6 1/2

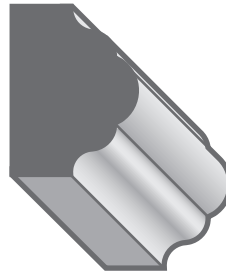




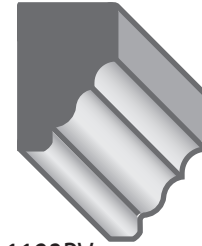




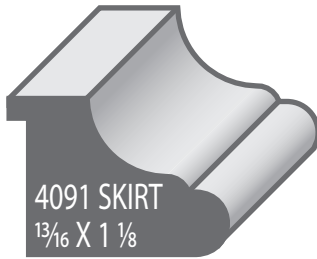
4091 CAP
3/4 x 1 1/2



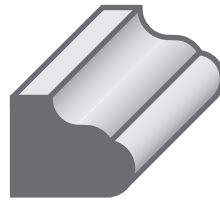
4091 NECK
1 1/16 x 7/8



1123PV
3/4 x 1/2
Michael's Newel Trim



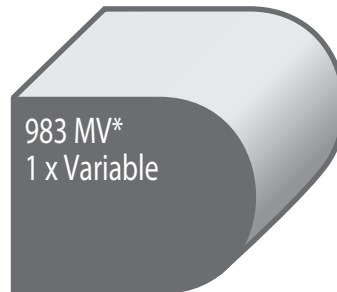
4091 SKIRT
1 3/16 X 1 1/8



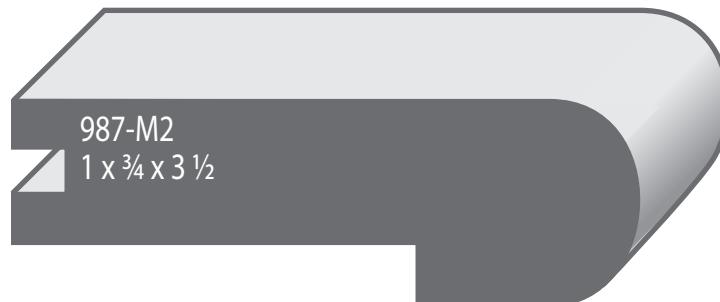
2091 SKIRT
1/2 X 5/8



4093 M1
1 7/16 X 3/4



983 MV*
1 x Variable



987-M2
1 x 3/4 x 3 1/2