



CUSTOM STAIR PARTS



www.mccoymillwork.com



Hand Rail
Shoe Rail/Newel Trim
Index

2
8
9

Custom Shop Services

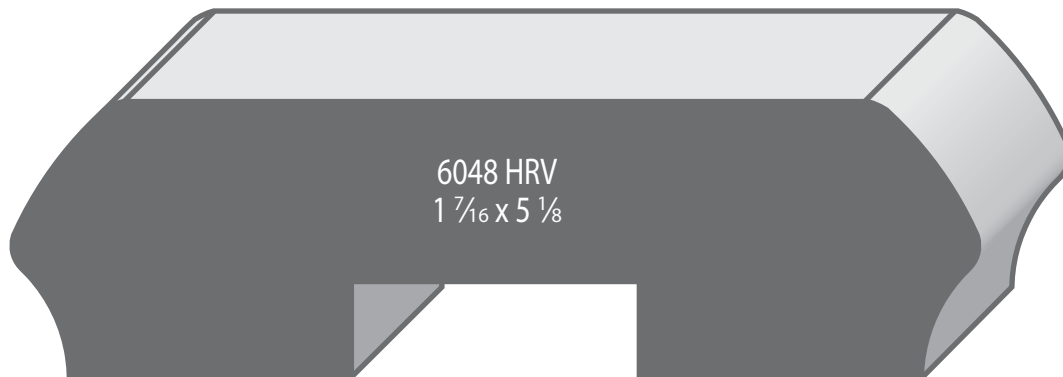
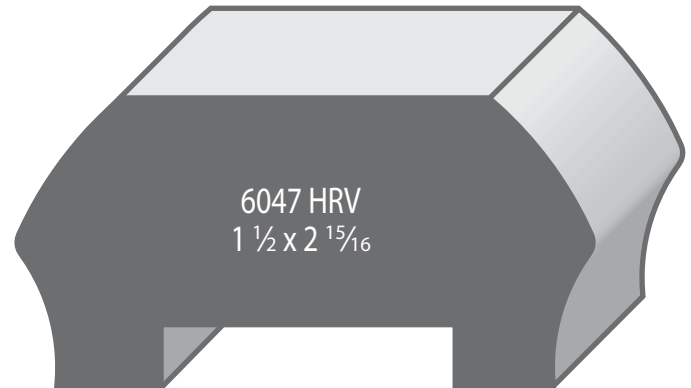
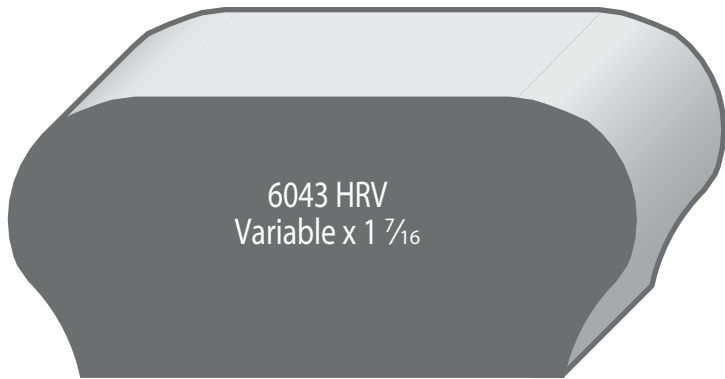
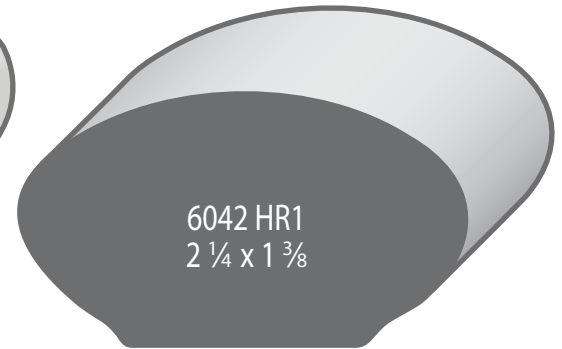
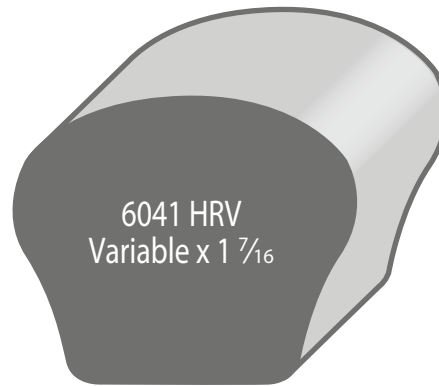
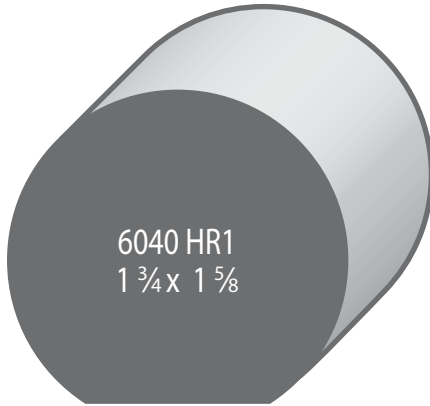
Standard modifications to lumber (ripping, planing, etc.) and custom profiles.

For custom profiles pricing is determined by the chosen species of wood and quantity. Provide the following:

1. A sample or scale drawing of the profile.
2. Amount of moulding needed in Lineal Feet.
3. Preferred species of wood.
4. Preferred final finish (paint or stain).

Send us your information via email or come in for a quote. You can expect to hear from us regarding pricing in 2 days.

Manufacturing time varies: 2 days-2 weeks.



Custom Shop Services

Standard modifications to lumber (ripping, planing, etc.) and custom profiles.

For custom profiles pricing is determined by the chosen species of wood and quantity. Provide the following:

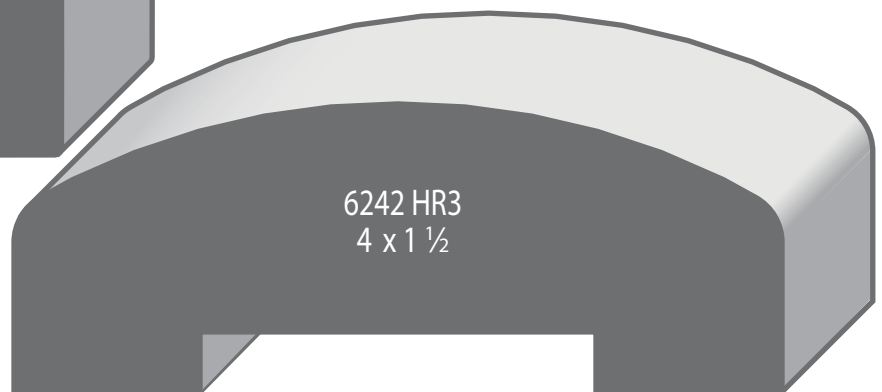
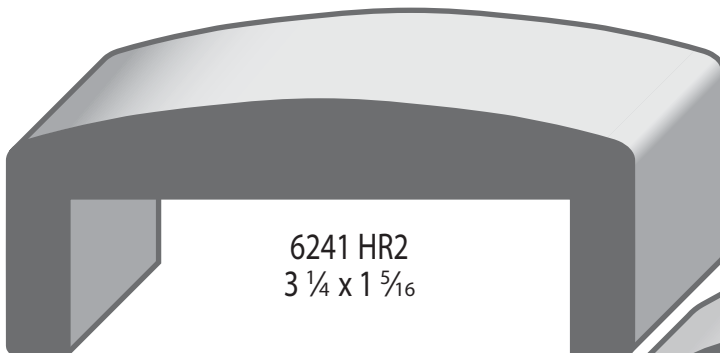
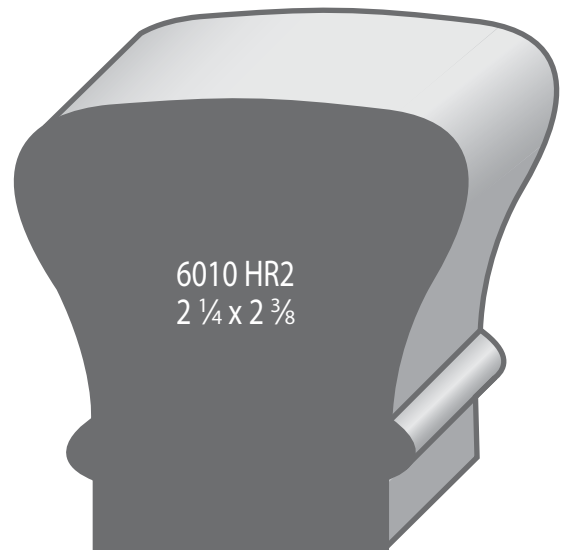
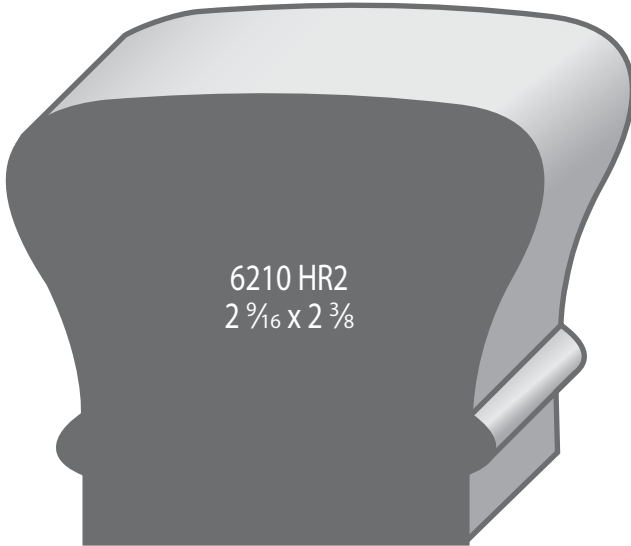
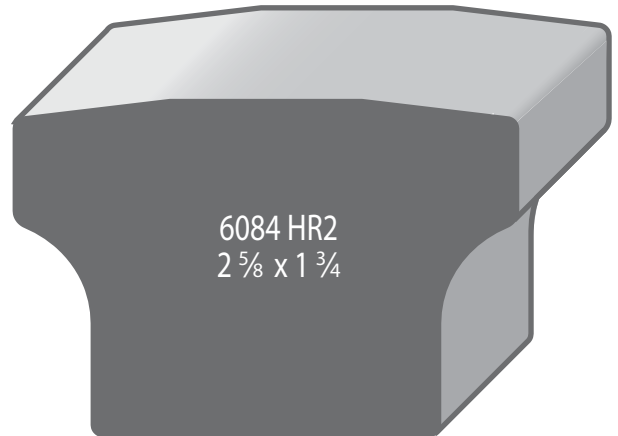
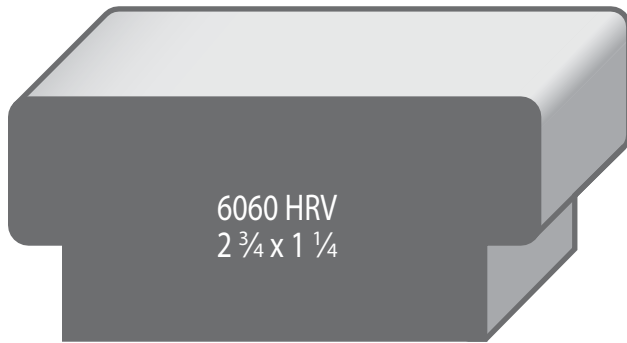
1. A sample or scale drawing of the profile.
2. Amount of moulding needed in Lineal Feet.
3. Preferred species of wood.
4. Preferred final finish (paint or stain).

Send us your information via email or come in for a quote. You can expect to hear from us regarding pricing in 2 days.

Manufacturing time varies: 2 days-2 weeks.



www.oregonwood.net



Custom Shop Services

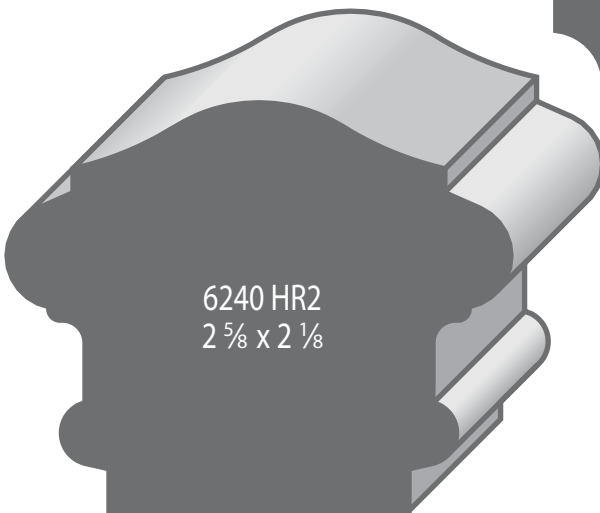
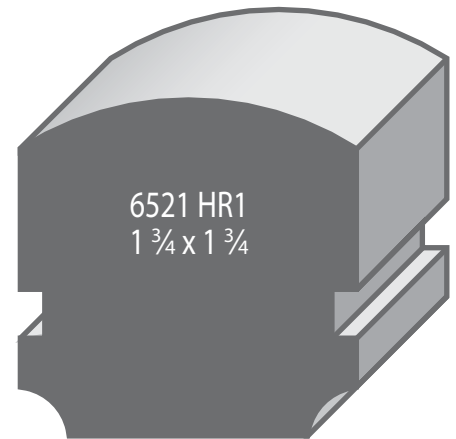
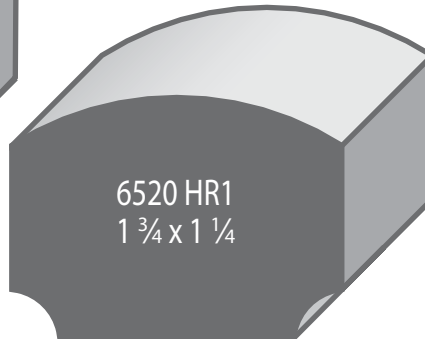
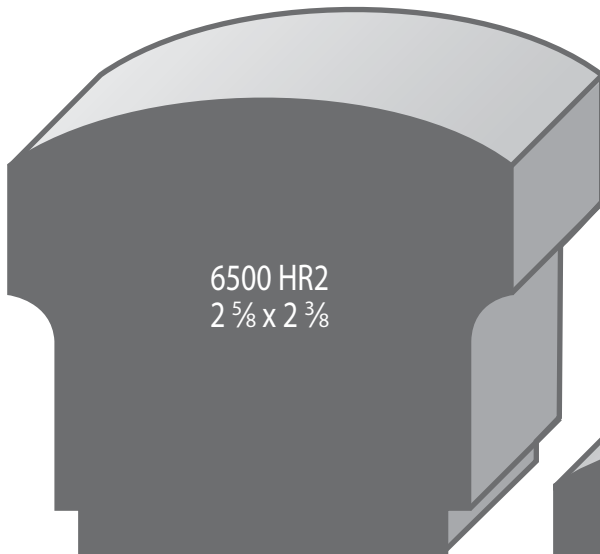
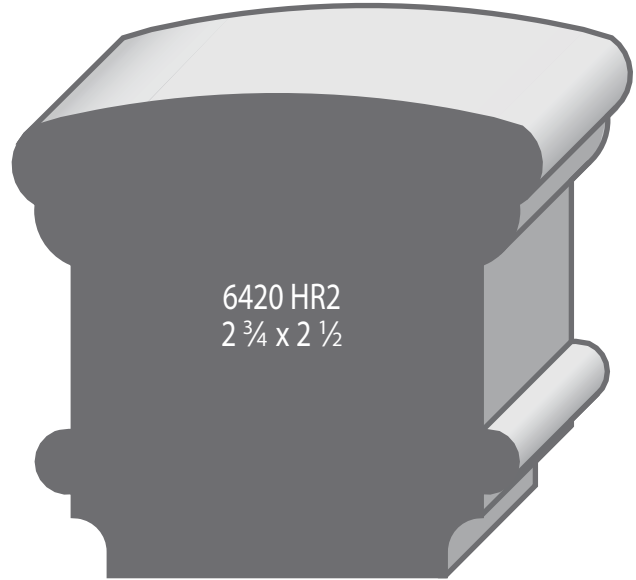
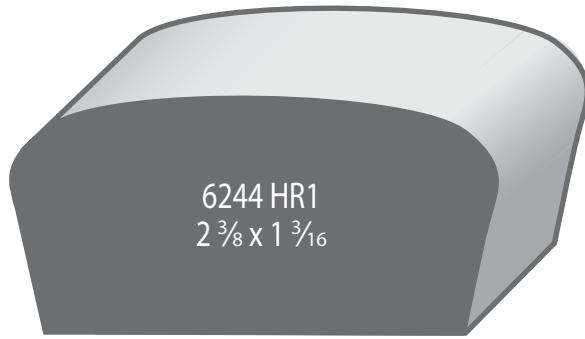
Standard modifications to lumber (ripping, planing, etc.) and custom profiles.

For custom profiles pricing is determined by the chosen species of wood and quantity. Provide the following:

1. A sample or scale drawing of the profile.
2. Amount of moulding needed in Lineal Feet.
3. Preferred species of wood.
4. Preferred final finish (paint or stain).

Send us your information via email or come in for a quote. You can expect to hear from us regarding pricing in 2 days.

Manufacturing time varies: 2 days-2 weeks.



Custom Shop Services

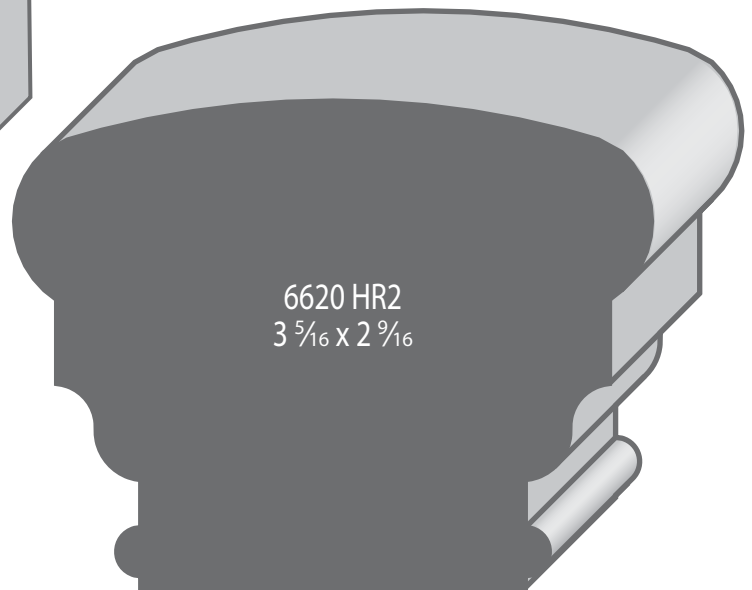
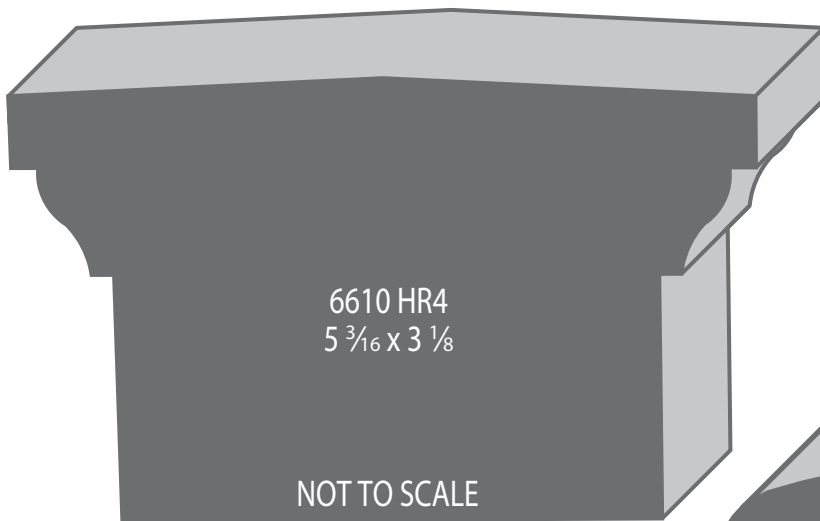
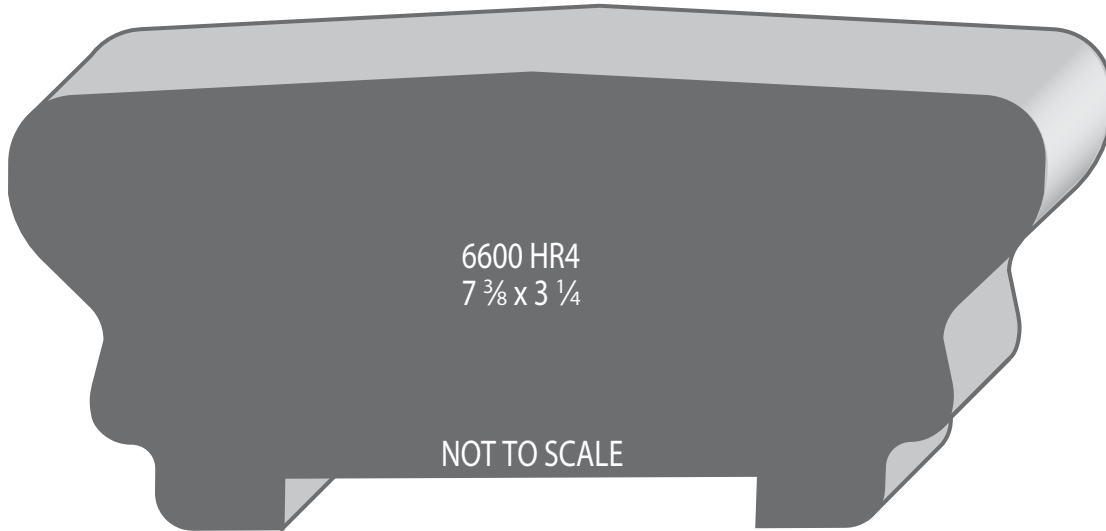
Standard modifications to lumber (ripping, planing, etc.) and custom profiles.

For custom profiles pricing is determined by the chosen species of wood and quantity. Provide the following:

1. A sample or scale drawing of the profile.
2. Amount of moulding needed in Lineal Feet.
3. Preferred species of wood.
4. Preferred final finish (paint or stain).

Send us your information via email or come in for a quote. You can expect to hear from us regarding pricing in 2 days.

Manufacturing time varies: 2 days-2 weeks.



Custom Shop Services

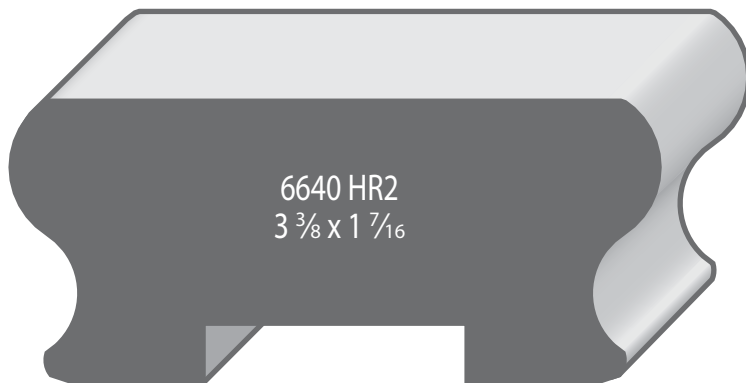
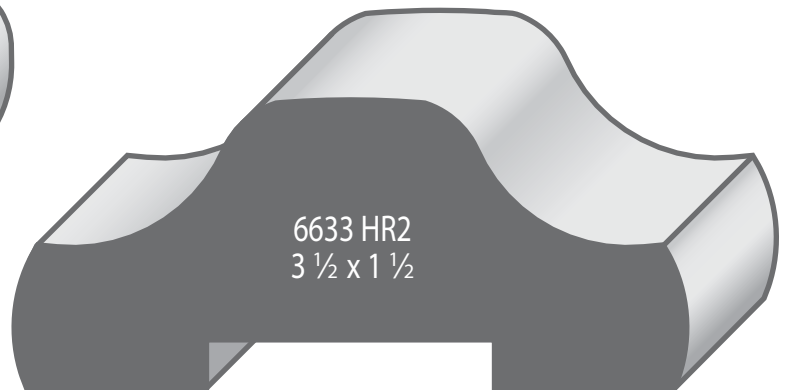
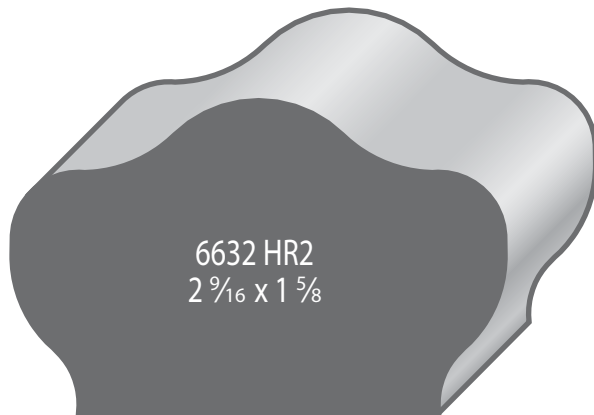
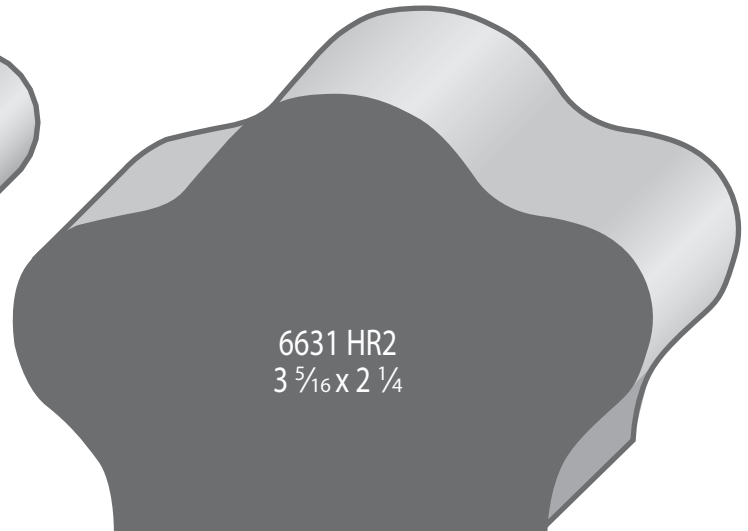
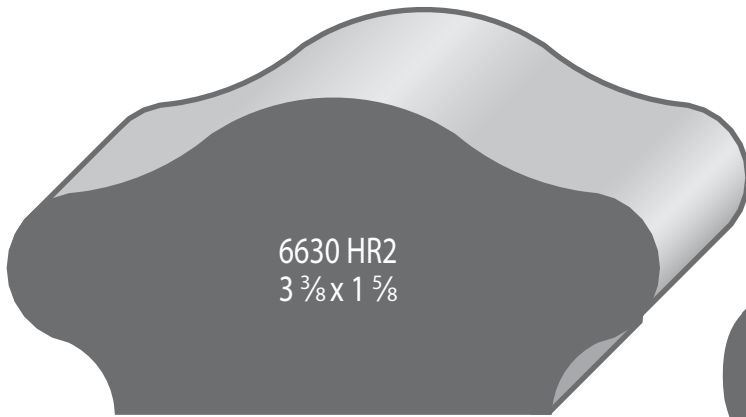
Standard modifications to lumber (ripping, planing, etc.) and custom profiles.

For custom profiles pricing is determined by the chosen species of wood and quantity. Provide the following:

1. A sample or scale drawing of the profile.
2. Amount of moulding needed in Lineal Feet.
3. Preferred species of wood.
4. Preferred final finish (paint or stain).

Send us your information via email or come in for a quote. You can expect to hear from us regarding pricing in 2 days.

Manufacturing time varies: 2 days-2 weeks.



Custom Shop Services

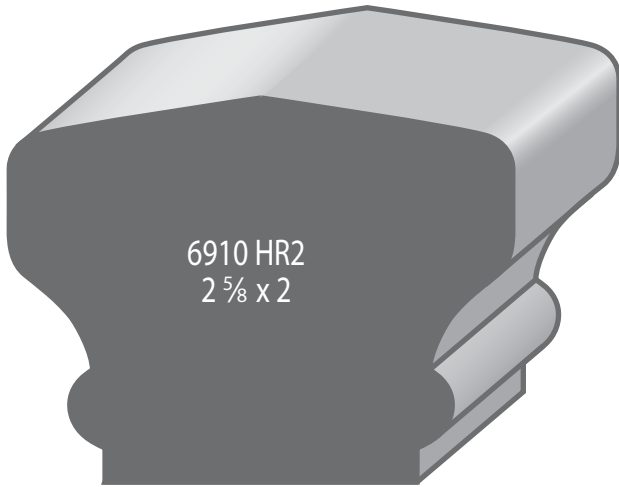
Standard modifications to lumber (ripping, planing, etc.) and custom profiles.

For custom profiles pricing is determined by the chosen species of wood and quantity. Provide the following:

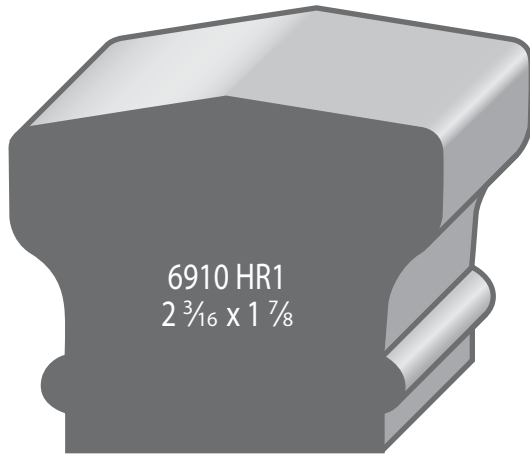
1. A sample or scale drawing of the profile.
2. Amount of moulding needed in Lineal Feet.
3. Preferred species of wood.
4. Preferred final finish (paint or stain).

Send us your information via email or come in for a quote. You can expect to hear from us regarding pricing in 2 days.

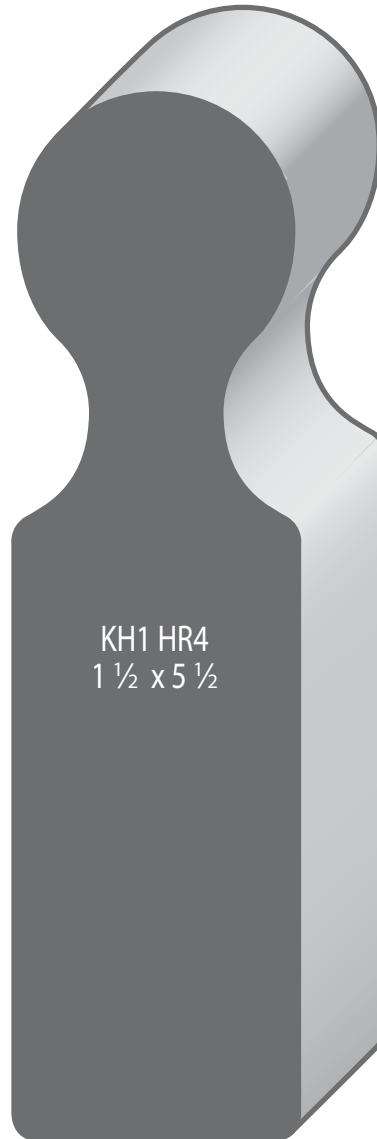
Manufacturing time varies: 2 days-2 weeks.



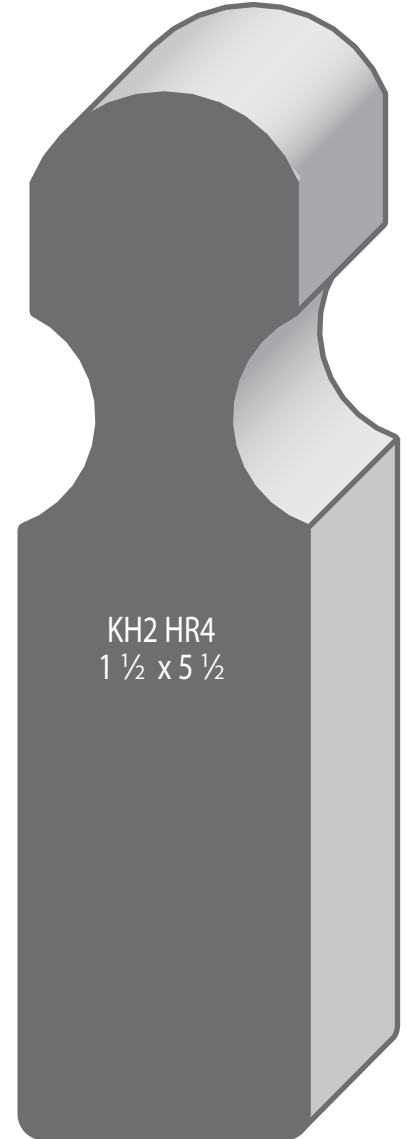
6910 HR2
2 5/8 x 2



6910 HR1
2 3/16 x 1 7/8



KH1 HR4
1 1/2 x 5 1/2



KH2 HR4
1 1/2 x 5 1/2

Custom Shop Services

Standard modifications to lumber (ripping, planing, etc.) and custom profiles.

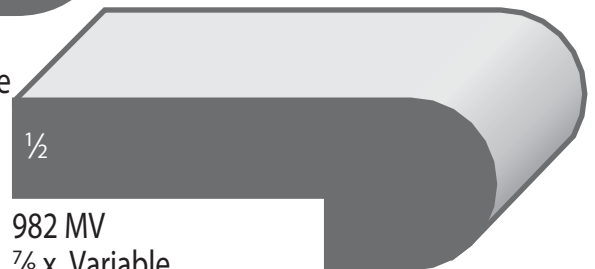
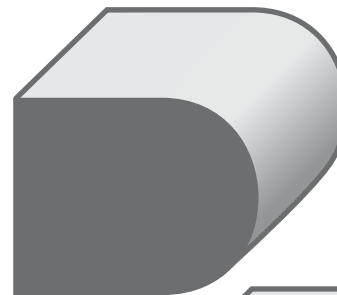
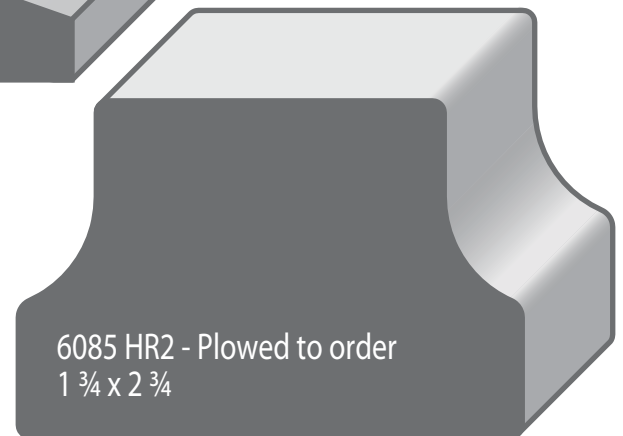
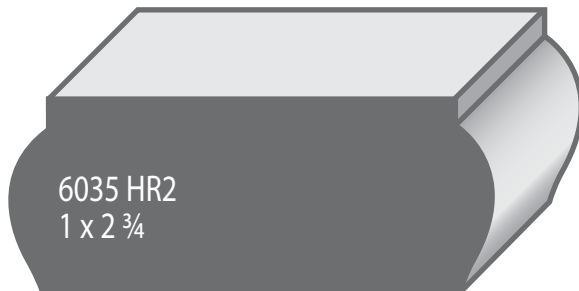
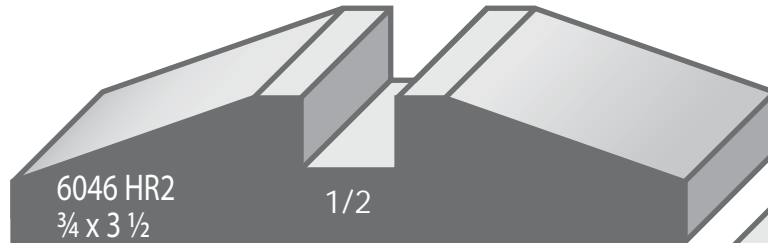
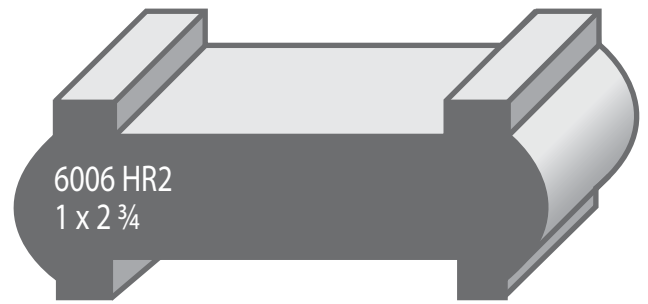
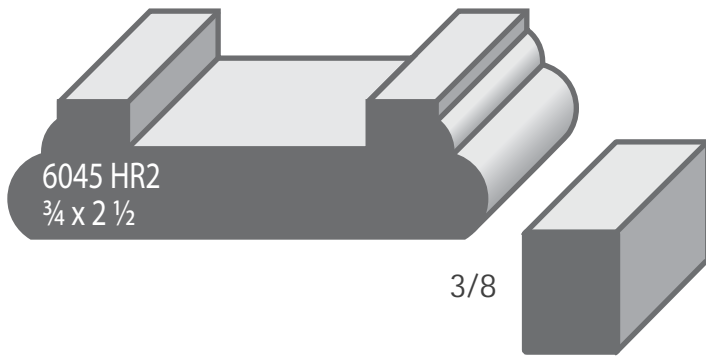
For custom profiles pricing is determined by the chosen species of wood and quantity. Provide the following:

1. A sample or scale drawing of the profile.
2. Amount of moulding needed in Lineal Feet.
3. Preferred species of wood.
4. Preferred final finish (paint or stain).

Send us your information via email or come in for a quote. You can expect to hear from us regarding pricing in 2 days.

Manufacturing time varies: 2 days-2 weeks.

www.oregonwood.net



Custom Shop Services

Standard modifications to lumber (ripping, planing, etc.) and custom profiles.

For custom profiles pricing is determined by the chosen species of wood and quantity. Provide the following:

1. A sample or scale drawing of the profile.
2. Amount of moulding needed in Lineal Feet.
3. Preferred species of wood.
4. Preferred final finish (paint or stain).

Send us your information via email or come in for a quote. You can expect to hear from us regarding pricing in 2 days.

Manufacturing time varies: 2 days-2 weeks.

PROFILE INDEX *=stock profile

Profile #	Pg #	Profile #	Pg #	Profile #	Pg #	Profile #	Pg #
978 MV Nosing	8						
982 MV Landing Tread	8						
983 MV Nosing	8						
989 MV Nosing	8						
6006 HR2 Shoerail	8						
6010 HR2* Handrail	3						
6035 HR2 Shoerail	8						
6040 HR1* Handrail	2						
6041 HRV Handrail	2						
6042 HR1* Handrail	2						
6043 HRV Handrail	2						
6045 HR2 Shoerail	8						
6046 HR2 Shoerail	8						
6047 HRV Handrail	2						
6048 HRV Handrail	2						
6060 HRV Handrail	3						
6084 HR2* Handrail	3						
6085 HR2 Shoerail	8						
6210 HR2* Handrail	3						
6240 HR2 Handrail	4						
6241 HR2 Handrail	3						
6242 HR3 Handrail	3						
6244 HR1* Handrail	4						
6420 HR2 Handrail	4						
6500 HR2* Handrail	4						
6520 HR1 Handrail	4						
6521 HR1 Handrail	4						
6600 HR4 Handrail	5						
6610 HR4 Handrail	5						
6620 HR2 Handrail	5						
6630 HR2 Handrail	6						
6631 HR2 Handrail	6						
6632 HR2 Handrail	6						
6633 HR2 Handrail	6						
6640 HR2 Handrail	6						
6910 HR1 Handrail	7						
6910 HR2* Handrail	7						
K							
KH1 HR4 Safety Rail	7						
KH2 HR4 Safety Rail	7						