

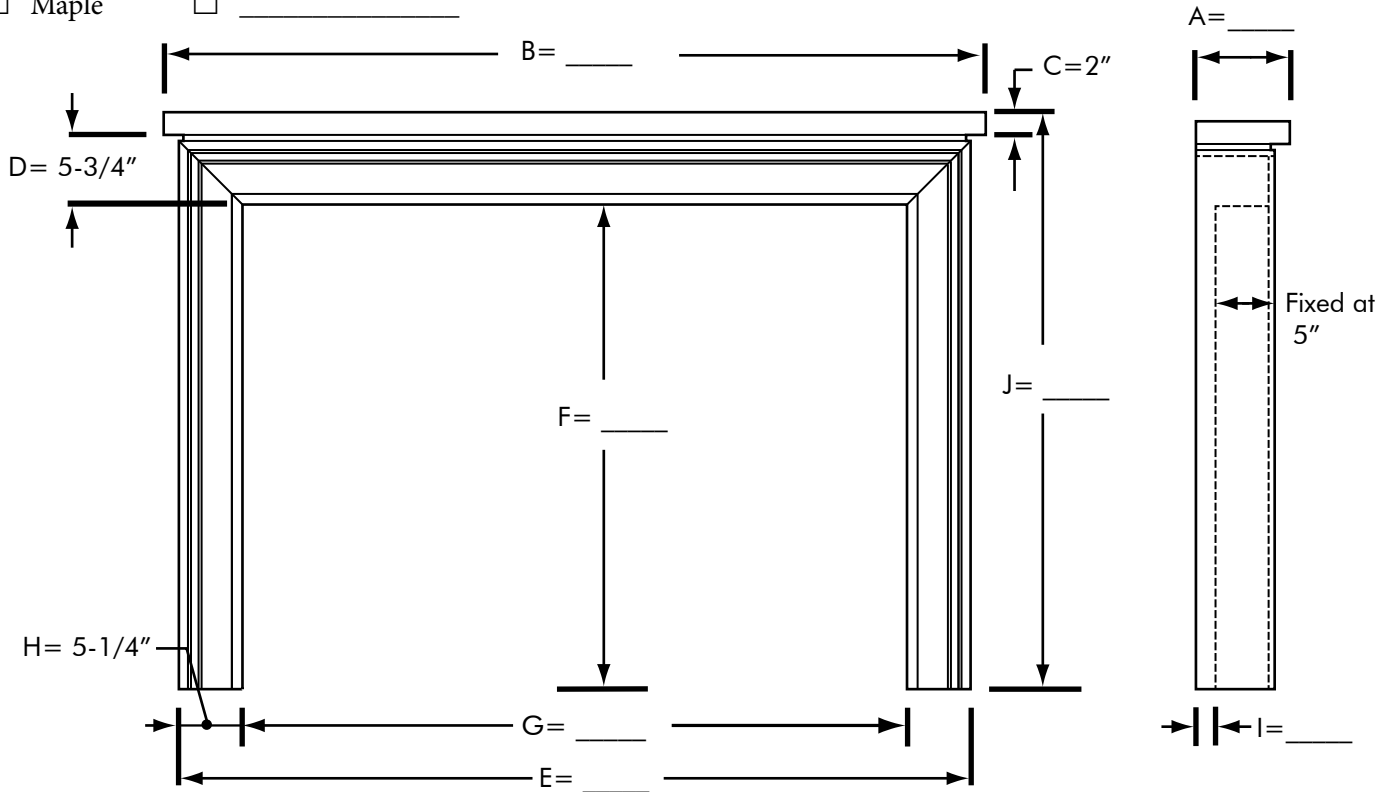
# Richmond Mantel

Body; paint grade only, select option for shelf below.

- Paint grade
- Red oak
- White Oak
- Maple
- Cherry
- Mahogany
- Walnut
- \_\_\_\_\_

**\*\*Purchaser is required to check the measurements below for compliance with local code requirements. McCoy Millwork is not responsible for verifying code specifications.\*\***

Name \_\_\_\_\_  
 Phone: \_\_\_\_\_  
 PO# \_\_\_\_\_  
 Order # \_\_\_\_\_



Please fill in all dimensions for a Richmond Mantel:

$A = I + 6-1/4"$   
 $B = E \text{ plus } 2-1/2" \text{ min.}$   
 $E = G + 10-1/2"$

F & G Height and Width of opening. This mantel has no opening trim. Discuss solutions for uneven tile with a sales person.

I is ALWAYS an interior, mantel cavity dimension. This is the depth of the masonry to be covered. Add depth as necessary to accommodate tile that is not in plane with the wall. This mantel has no opening trim; discuss options with a sales person.

### Extras & Options

- Extra deep opening trim \_\_\_\_\_
- Top shelf (A) more than 12" \_\_\_\_\_
- Top shelf (A) more than 18" \_\_\_\_\_
- Top shelf (A) more than 24" \_\_\_\_\_
- Height (J) more than 60" \_\_\_\_\_
- No MDF \_\_\_\_\_
- Osmo clear coat \_\_\_\_\_

## NO RETURNS ON SPECIAL ORDER MANTELS

Please examine this order. Any changes must be made in writing. A signature below indicates the above information will be processed accordingly.

X \_\_\_\_\_

Mantel	+
Delivery	+
Add ons	+
Deposit	-
Total	

ALL PAINT GRADE MANTELS MAY BE PARTIALLY MADE WITH MDF.  
 FINISH AND INSTALLATION ON JOB SITE BY PURCHASER  
 NO CANCELATIONS - NO RETURNS

**McCoy Millwork**  
 Ph: 503-236-0995 Fax: 503-236-2360  
 www.mccoymillwork.com