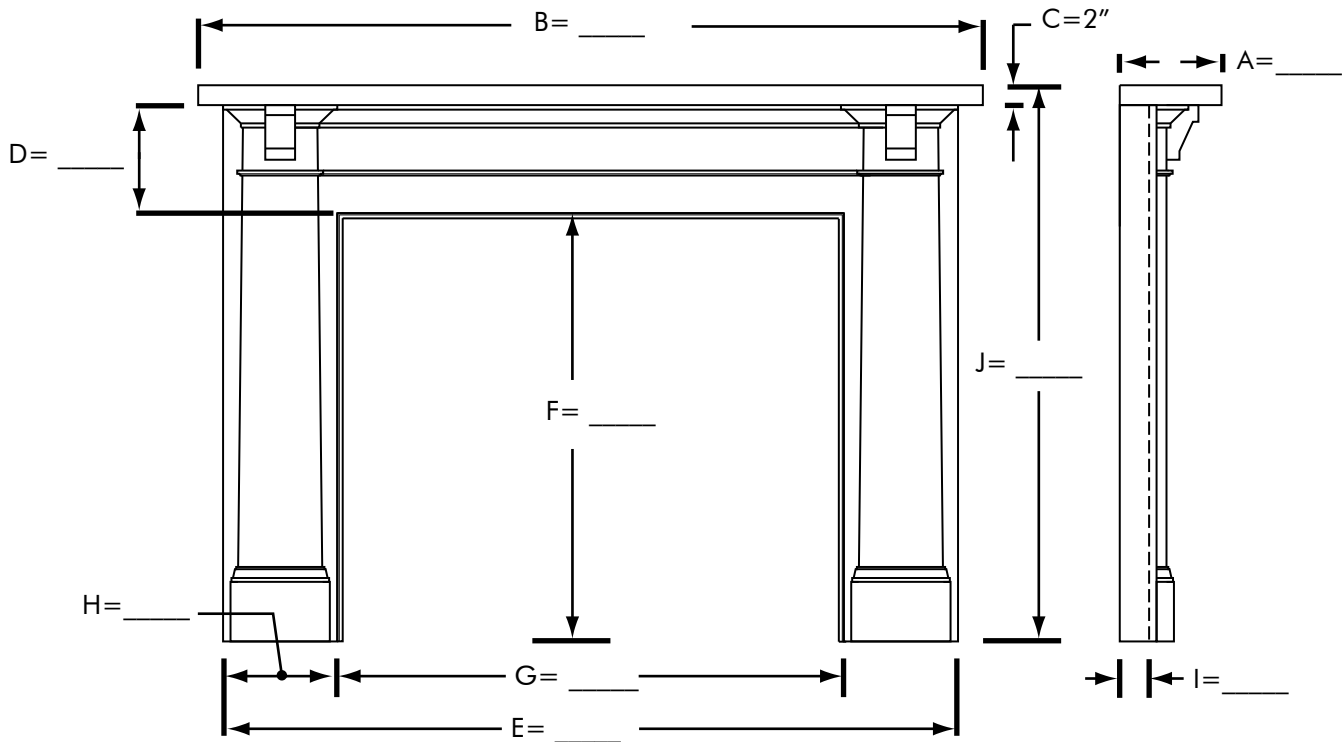


Rockwood Mantel

- Paint grade Cherry
- Red oak Mahogany
- White Oak _____
- Maple

****Purchaser is required to check the measurements below for compliance with local code requirements. McCoy Millwork is not responsible for verifying code specifications.****

Name _____
 Phone: _____
 PO# _____
 Order # _____



Please fill in all dimensions for a Rockwood Mantel:

A=I plus at least 5 1/4", 6" is better.

B=E plus at least 4".

C=2"

D=at least 10", 12" or more is better.

E=G+2(H)

F & G measurements do not include opening trim.

H=Leg dimension, about 11", 10" minimum.

Any smaller and the applied column gets too narrow.

I is ALWAYS an interior, mantel cavity dimension.

This is the depth of the masonry to be covered.

Min. 3/4" for French Cleat.

Extras & Options

- Extra deep opening trim _____
- Top shelf (A) more than 12" _____
- Top shelf (A) more than 18" _____
- Top shelf (A) more than 24" _____
- Height (J) more than 60" _____
- No MDF _____
- Osmo clear coat _____

NO RETURNS ON SPECIAL ORDER MANTELS

Please examine this order. Any changes must be made in writing. A signature below indicates the above information will be processed accordingly.

X _____

Mantel	+
Delivery	+
Add ons	+
Deposit	-
Total	

ALL PAINT GRADE MANTELS MAY BE PARTIALLY MADE WITH MDF.
 FINISH AND INSTALLATION ON JOB SITE BY PURCHASER
 NO CANCELATIONS - NO RETURNS

McCoy Millwork
 Ph: 503-236-0995 Fax: 503-236-2360
 www.mccoymillwork.com