



Section C - Stair Parts



McCOY MILLWORK

Custom Shop Services

For custom profiles pricing is determined by the chosen species of wood and quantity. Provide the following:

1. A sample or scale drawing of the profile.
2. Amount of moulding needed in Lineal Feet.
3. Preferred species of wood.
4. Preferred final finish (paint or stain).

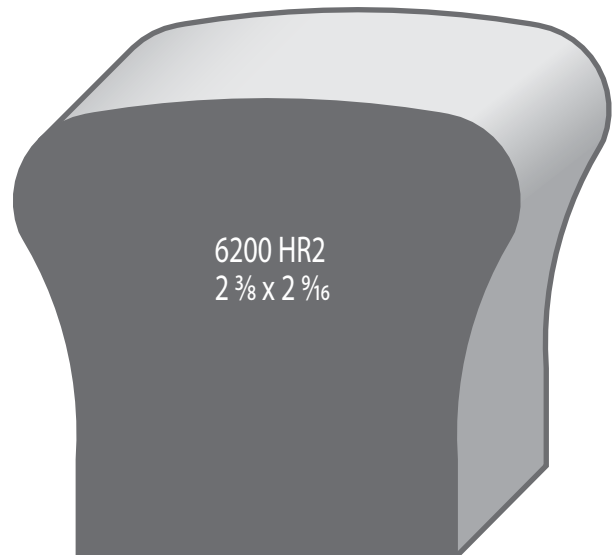
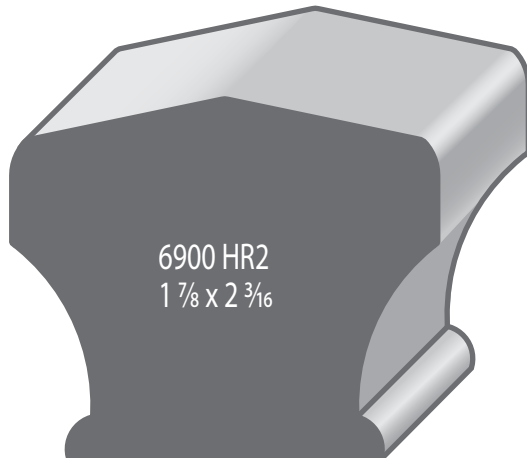
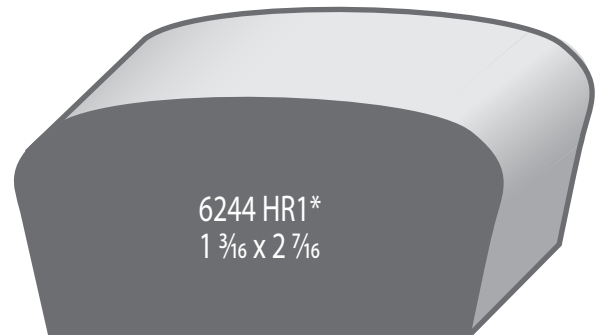
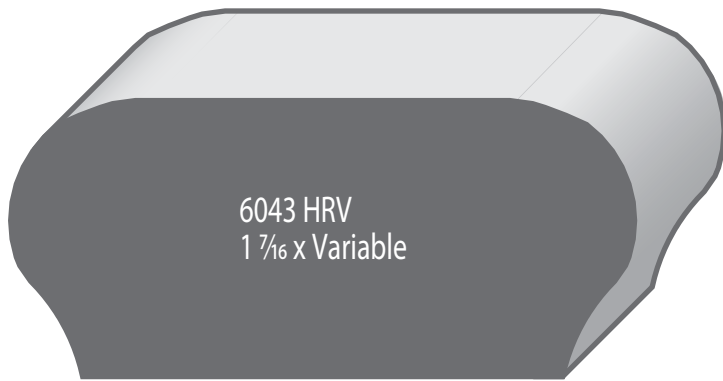
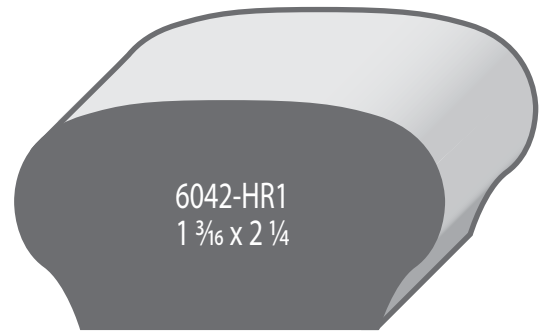
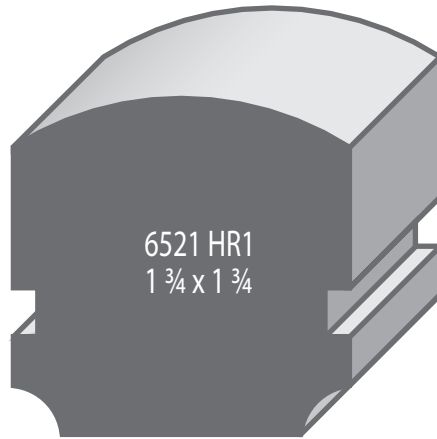
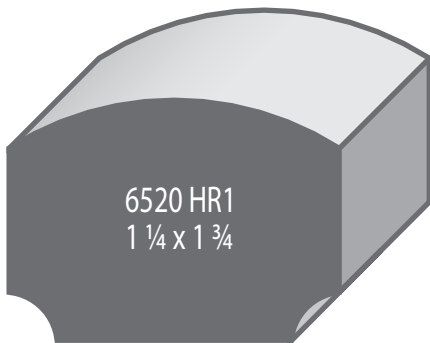
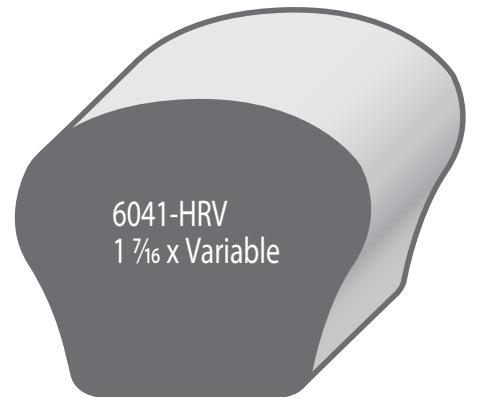
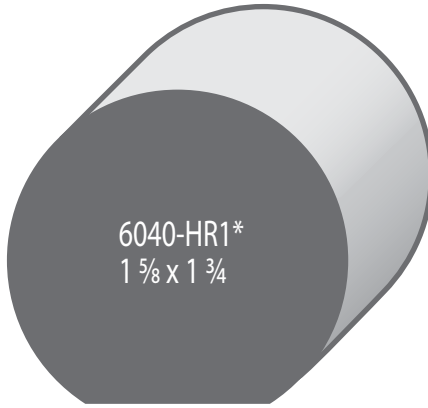
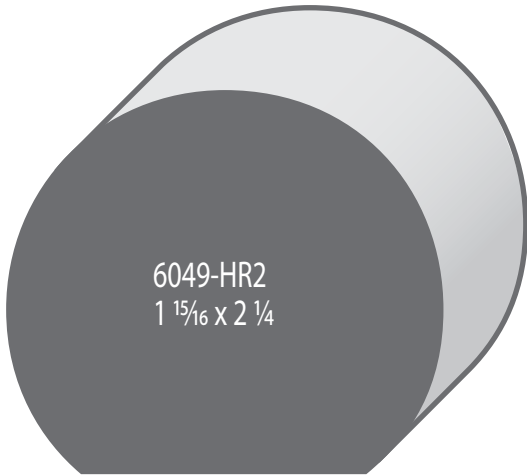
Send us your information via email or come in for a quote. You can expect to hear from us regarding pricing in 2 days.

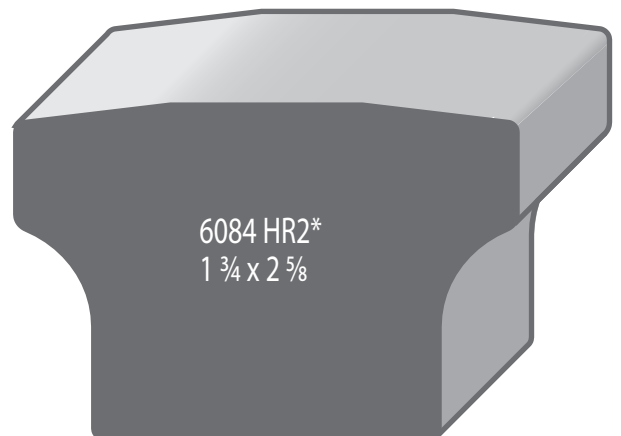
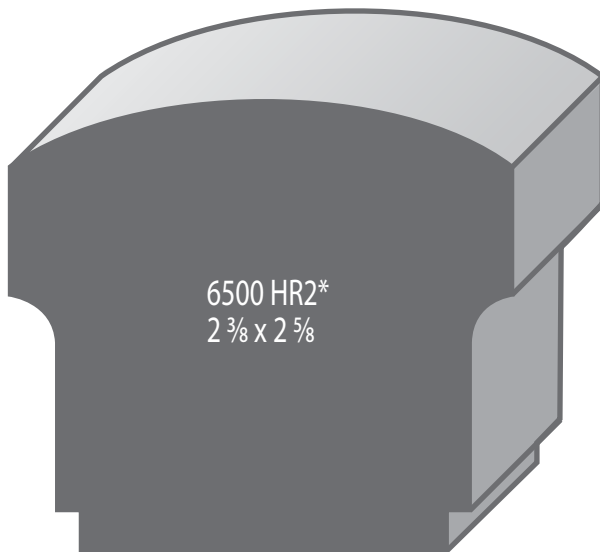
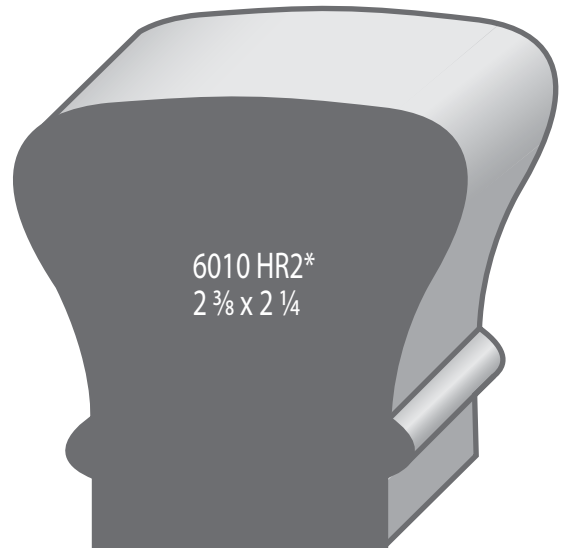
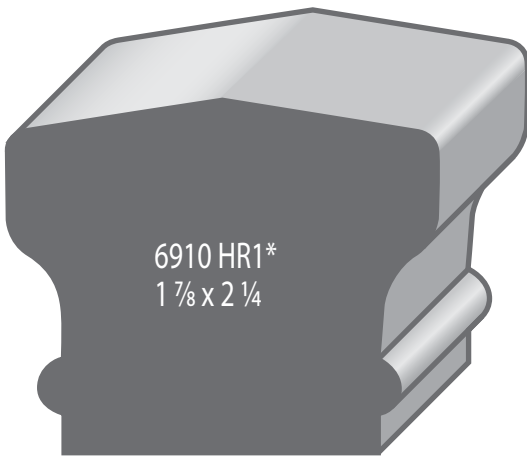
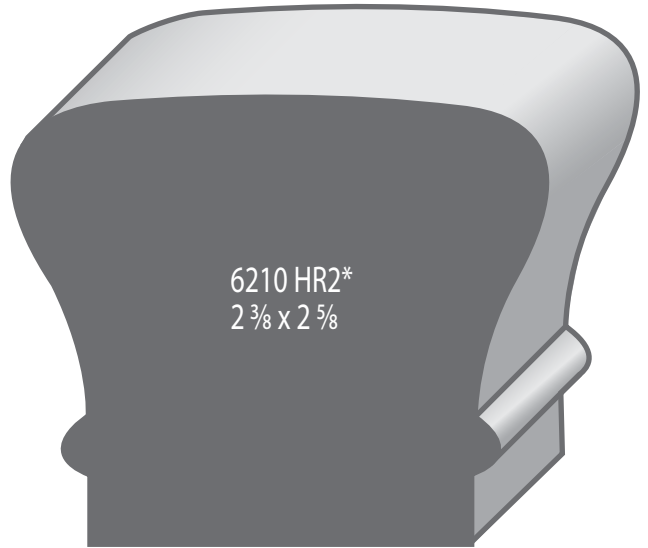
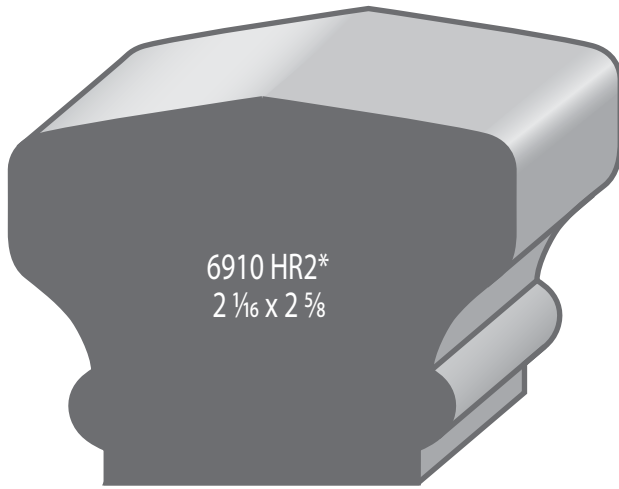
Manufacturing time varies: 2 days-2 weeks.

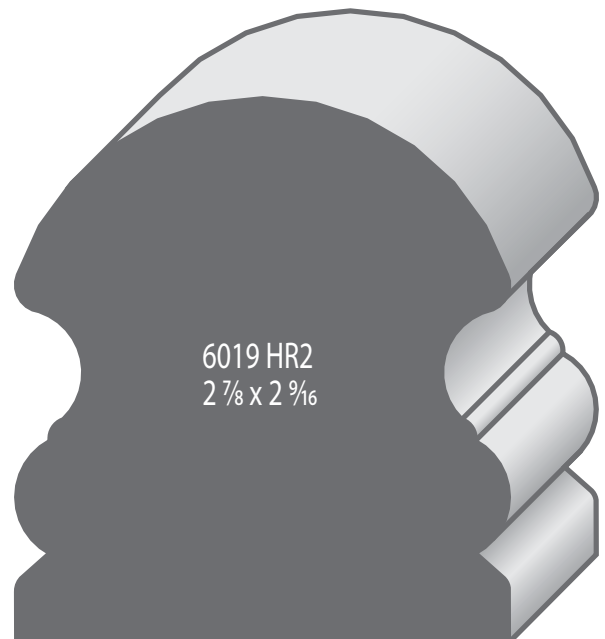
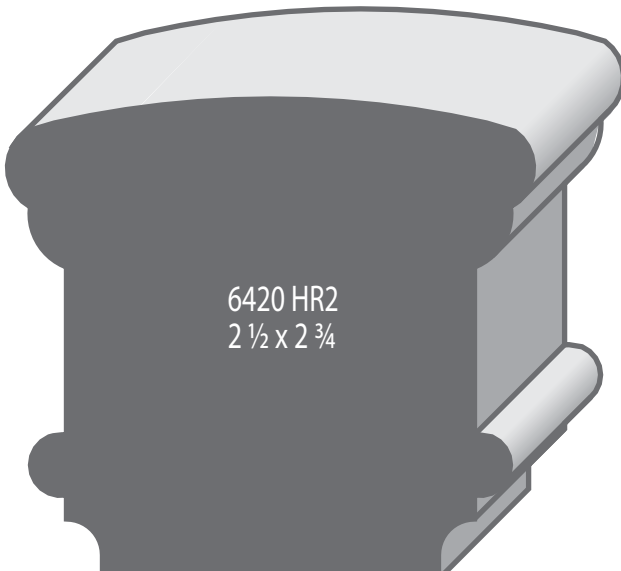
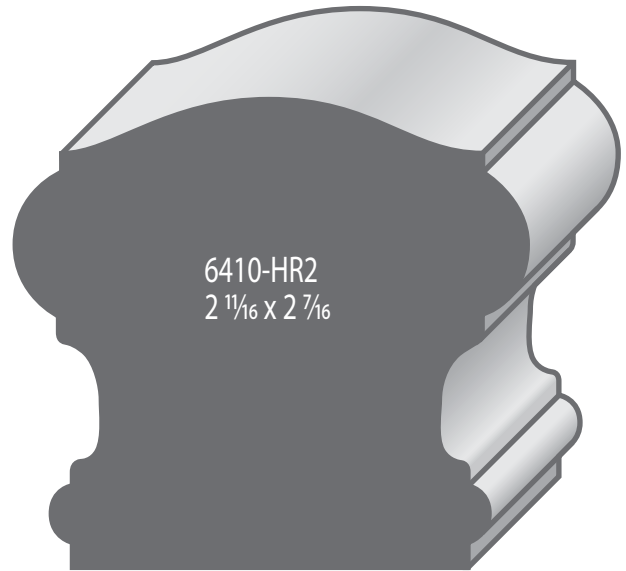
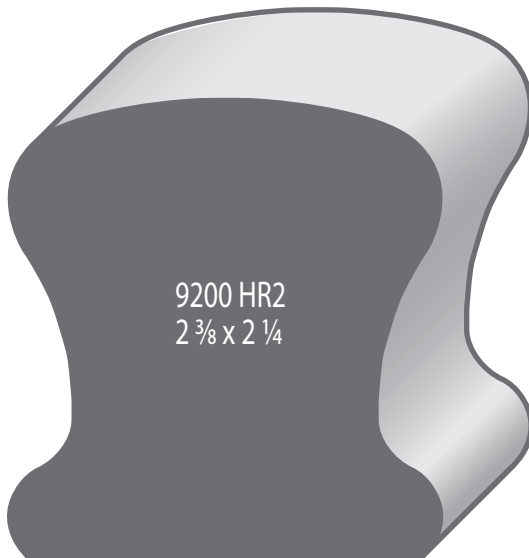
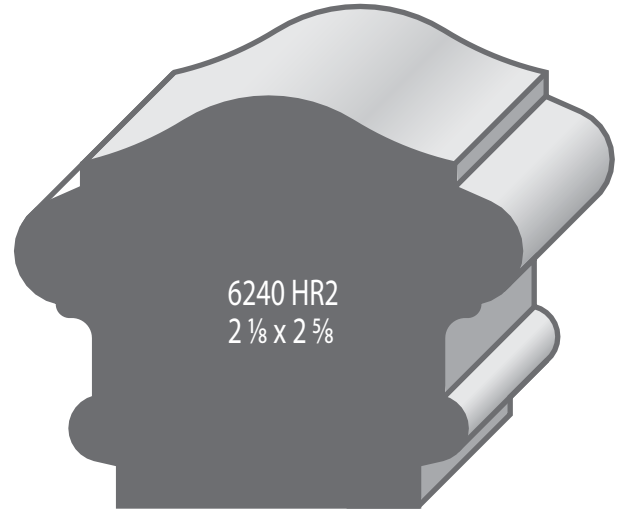
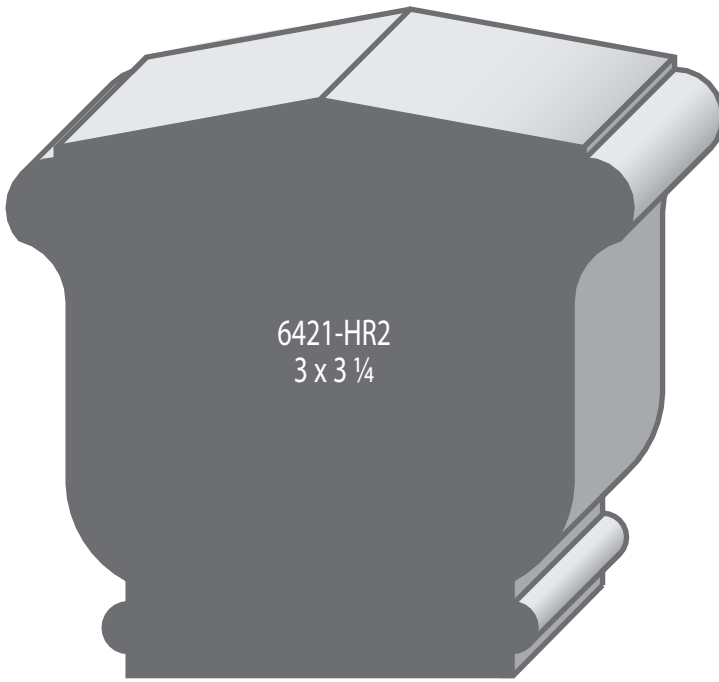
Profile #	Pg #	Profile #	Pg #	Profile #	Pg #	Profile #	Pg #
983 MV* Nosing	167	6521 HR1 Handrail	158				
2091 SKIRT Newel Trim	167	6600 HR4 Balustrade	163				
4091 CAP Newel Trim	167	6610 HR4 Balustrade	166				
4091 NECK Moulding	167	6620 HR2 Balustrade	164				
4091 SKIRT	167	6630 HR2 Handrail	161				
4093 M1 Newel Trim	167	6631 HR2 Handrail	161				
6006 HR2 Shoerail	166	6632 HR2 Handrail	161				
6010 HR2* Handrail	159	6633 HR2 Handrail	161				
6019 HR2 Handrail	160	6634 HR4 Porch Rail	163				
6025 HR2 Shoe Rail	166	6640 HR2 Handrail	162				
6035 HR2 Shoerail	166	6650-HR2 Handrail	164				
6040 HR1* Handrail	158	6651-HR2 Shoe Rail	166				
6041 HRV Handrail	158	6652-HR2 Handrail	164				
6042 HR1* Handrail	158	6700 HR3* Porch Rail	163				
6043 HRV Handrail	158	6900 HR2 Handrail	158				
6045 HR2 Shoerail	166	6910 HR1* Handrail	159				
6046 HR2 Shoerail	166	6910 HR2* Handrail	159				
6047 HRV Handrail	162	9200 HR2 Handrail	160				
6048 HRV Handrail	163						
6049-HR2 Handrail	158						
6060 HRV Handrail	162						
6070 HR2 Handrail	161						
6084 HR2* Handrail	159						
6085 HR2 Shoerail	166						
6100 HR2 Handrail	161						
6200 HR2 Handrail	158						
6210 HR2* Handrail	159						
6240 HR2 Handrail	160						
6241 HR2 Handrail	162						
6242 HR3 Handrail	162						
6244 HR1* Handrail	158						
6410-HR2 Handrail	160						
6420 HR2 Handrail	160						
6421-HR2 Handrail	160						
6500 HR2* Handrail	159						
6520 HR1 Handrail	158						

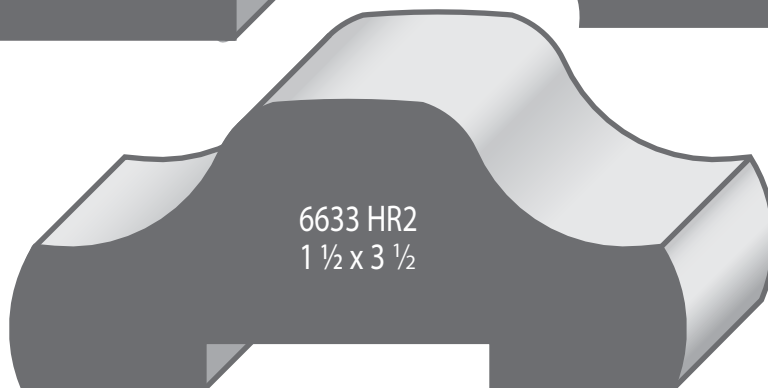
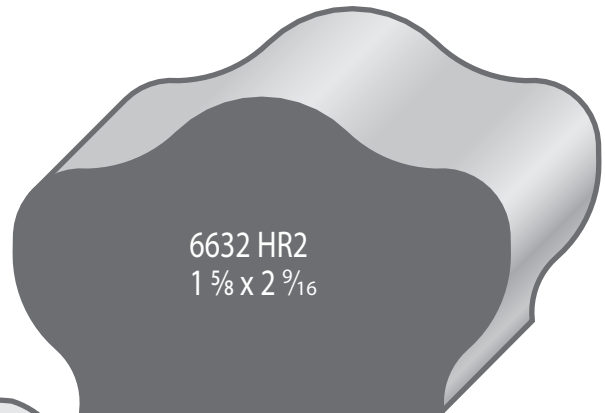
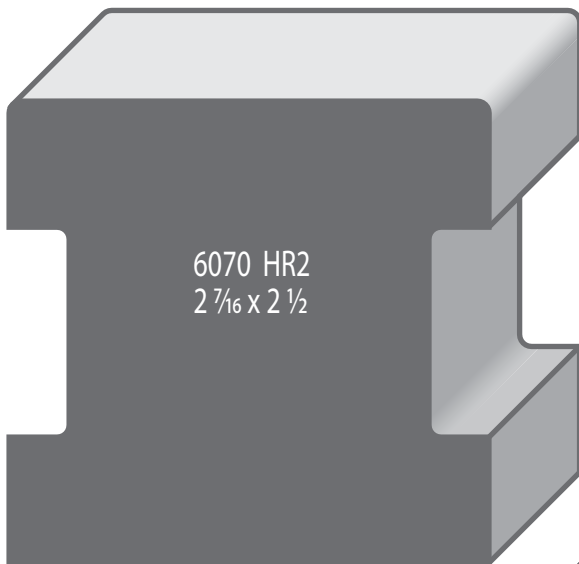
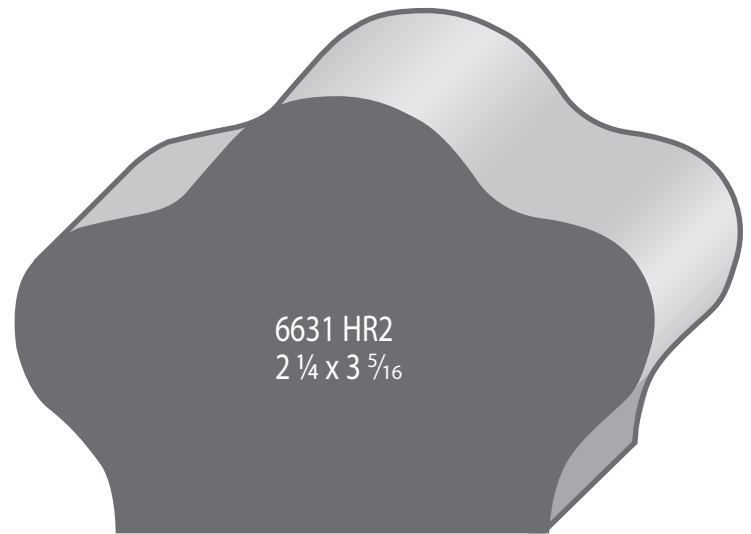
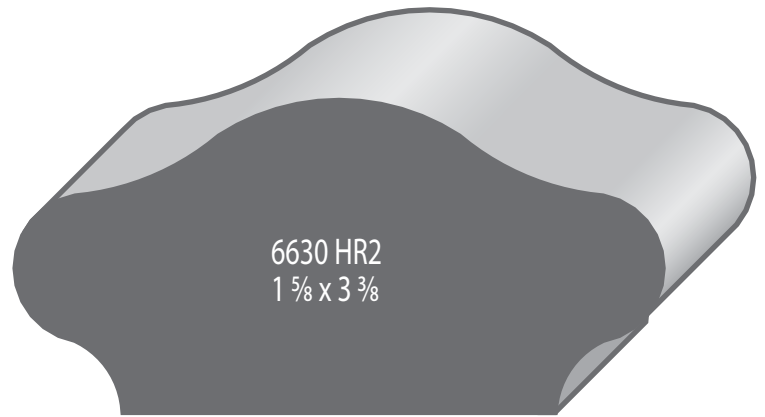
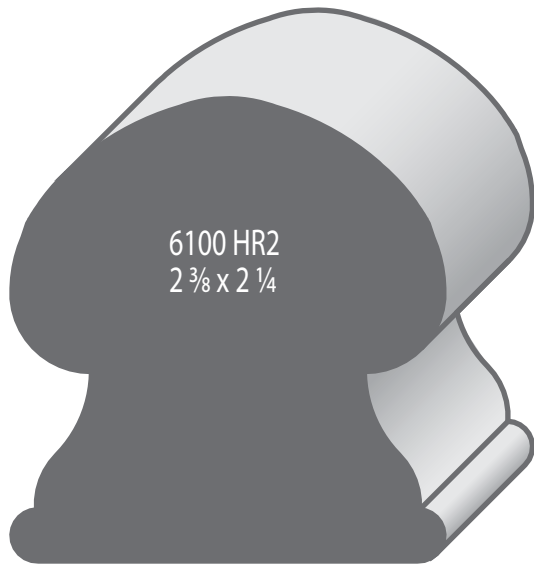
K

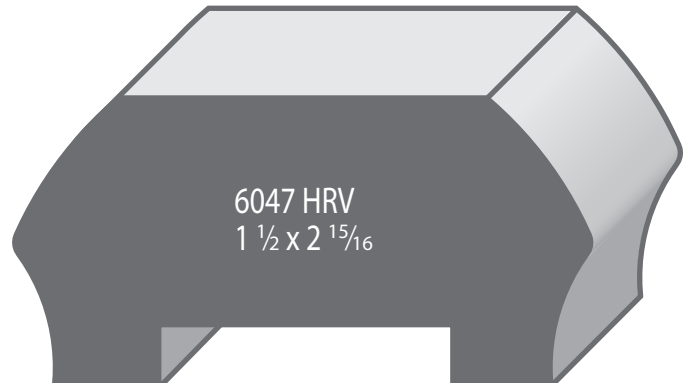
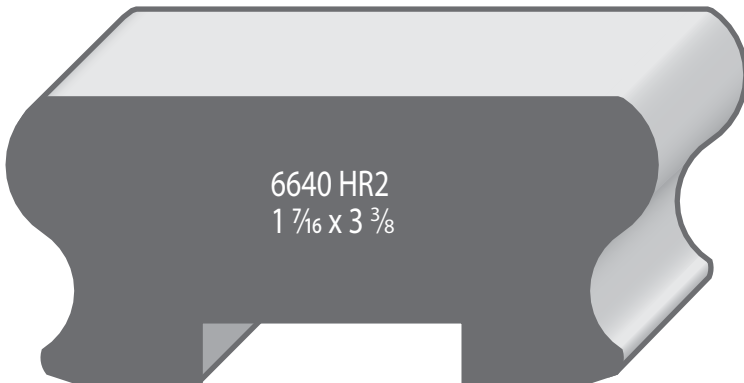
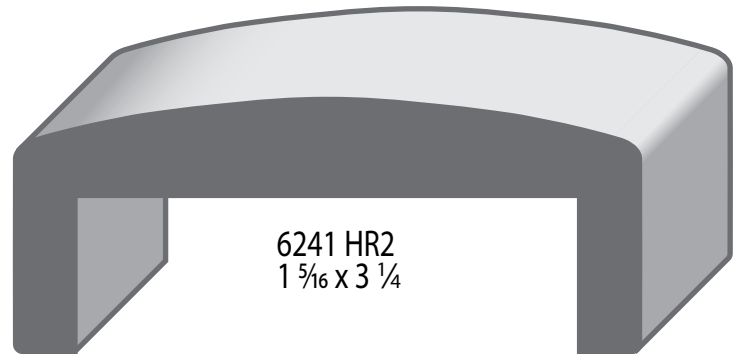
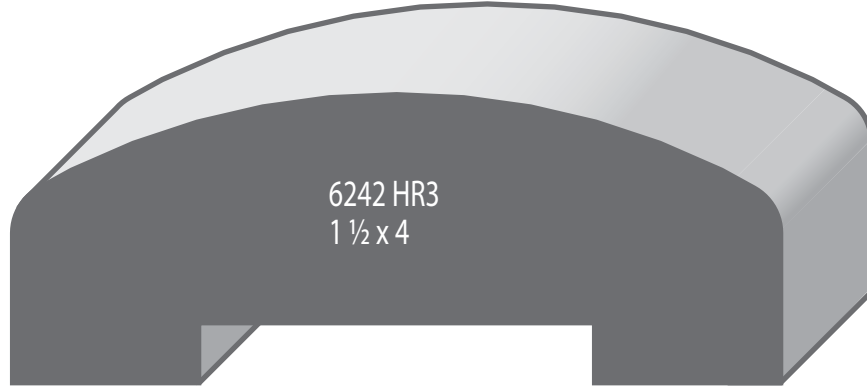
KH1 HR4 Safety Rail	165
KH2 HR4 Safety Rail	165
KH3-HR4 Safety Rail	165

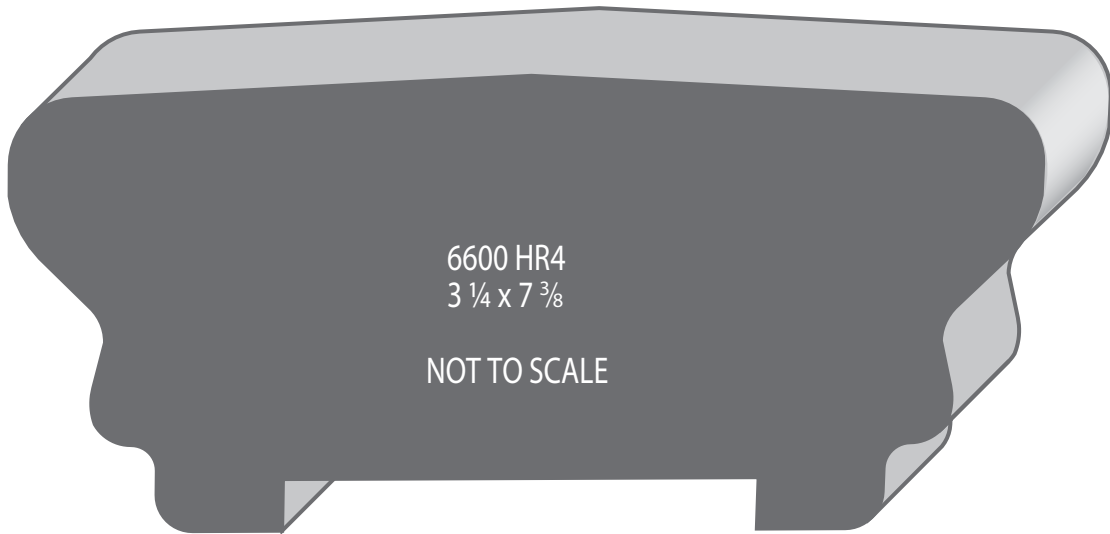












6600 HR4
3 1/4 x 7 3/8

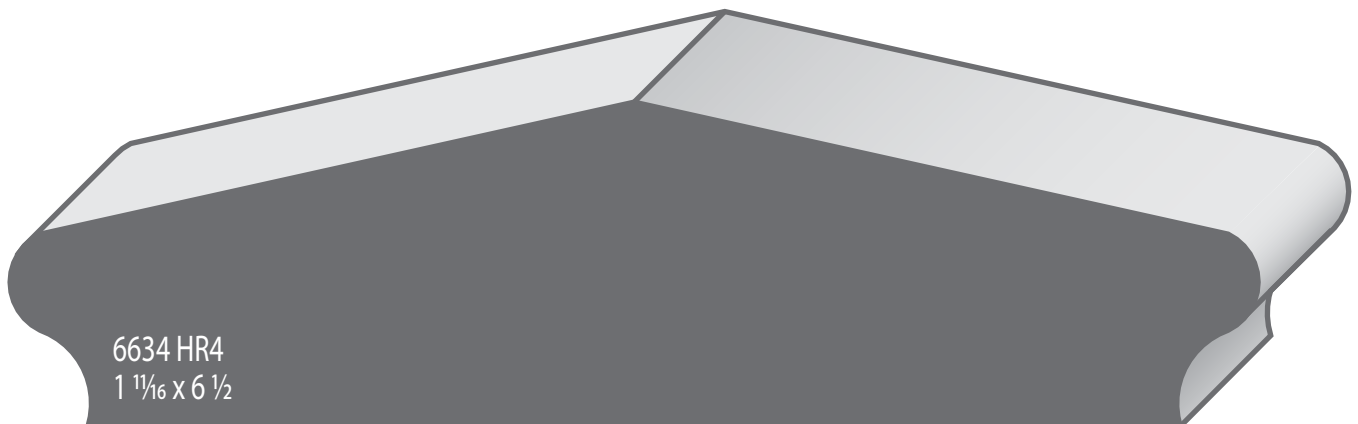
NOT TO SCALE



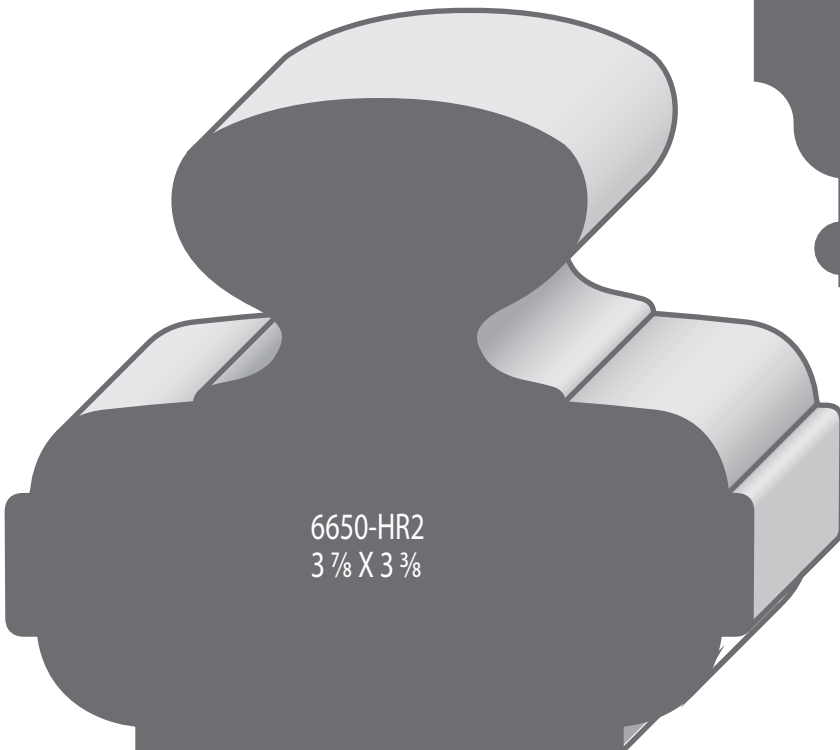
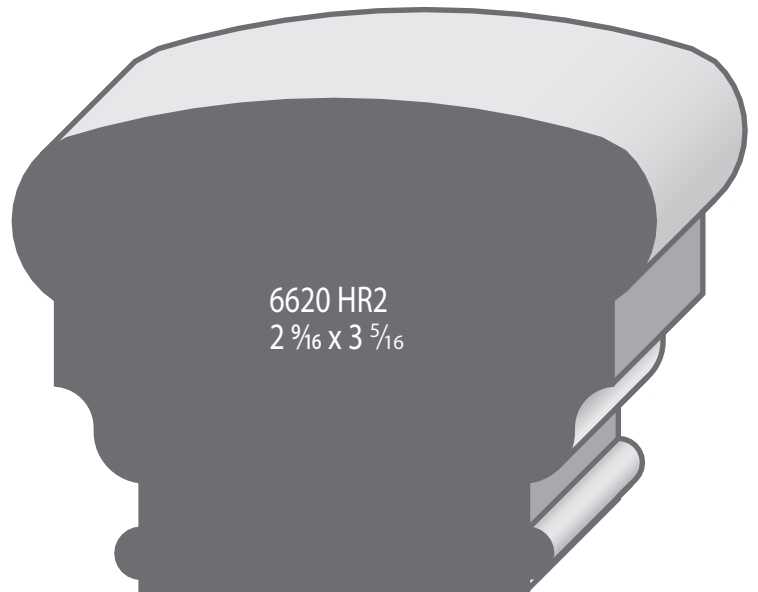
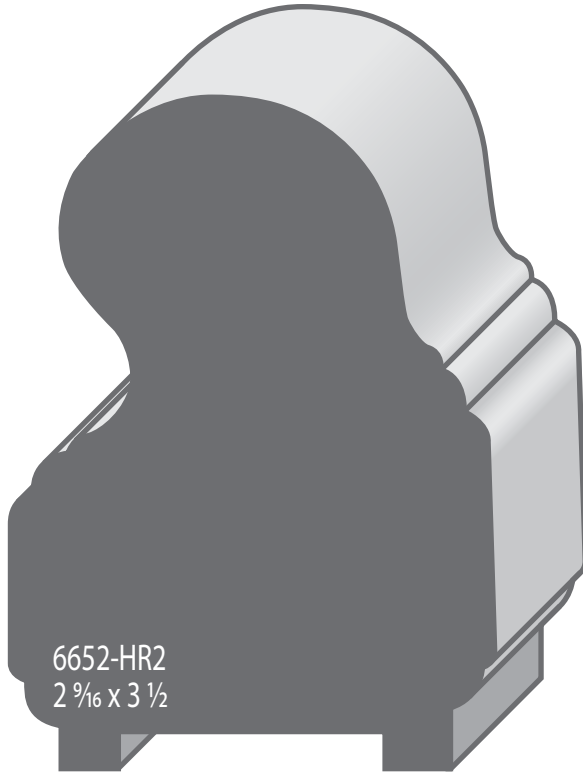
6700 HR3
1 3/4 x 4 1/2

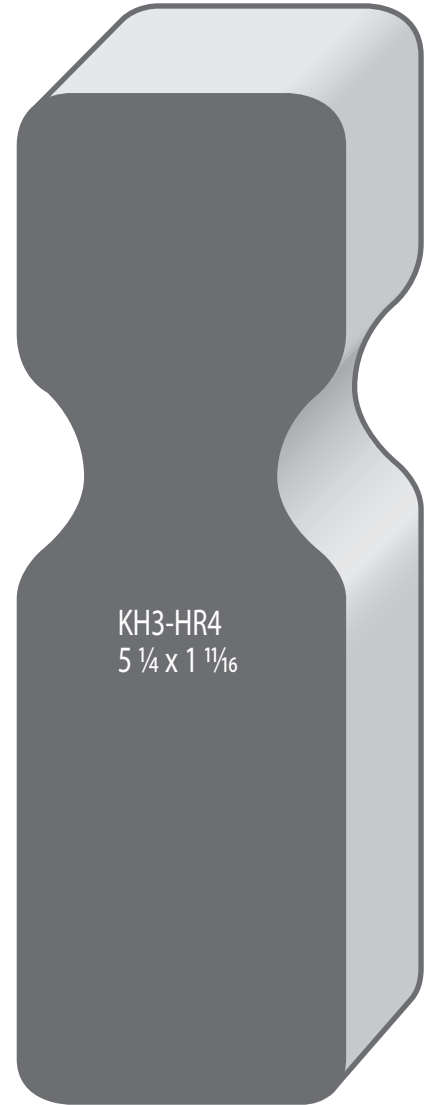
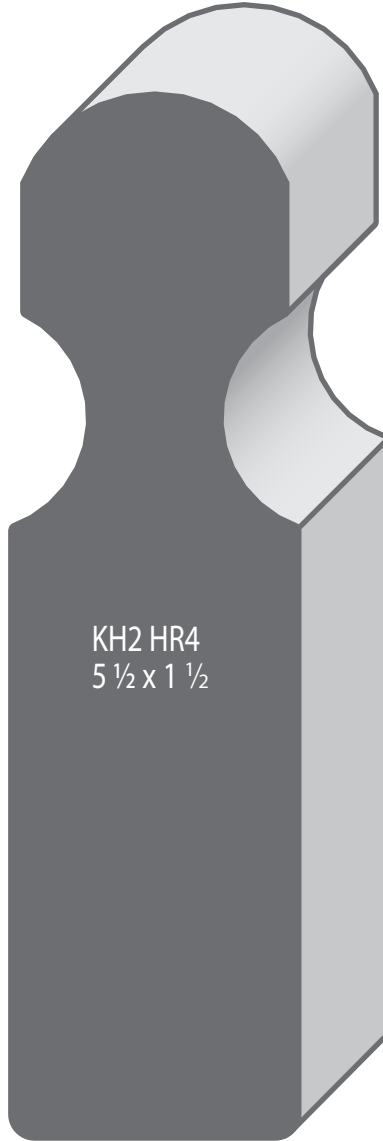


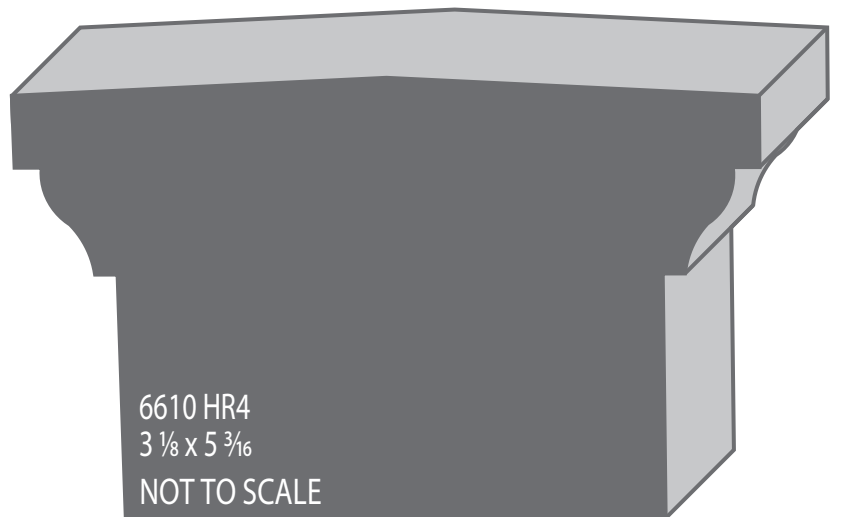
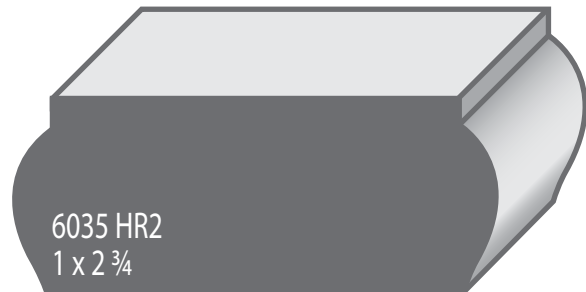
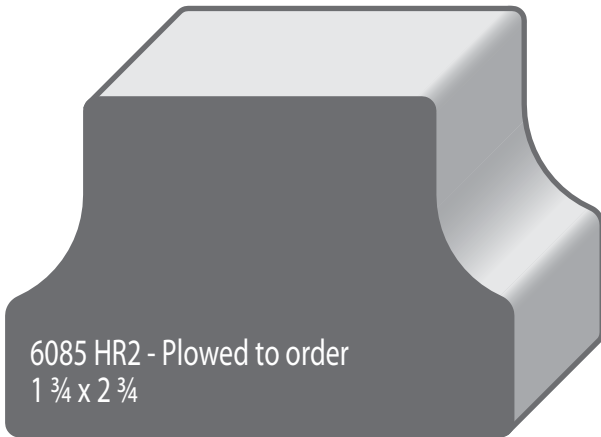
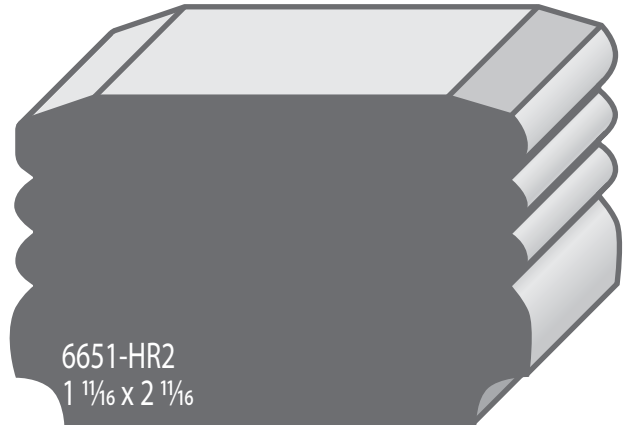
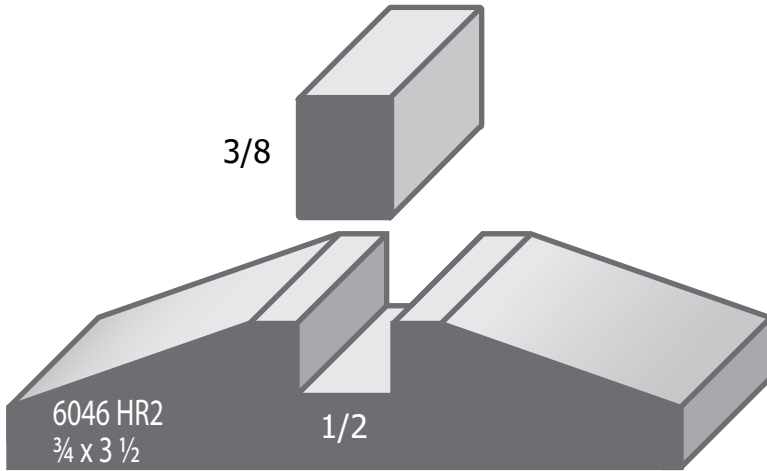
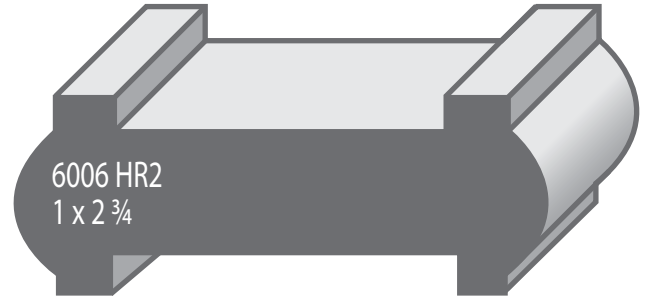
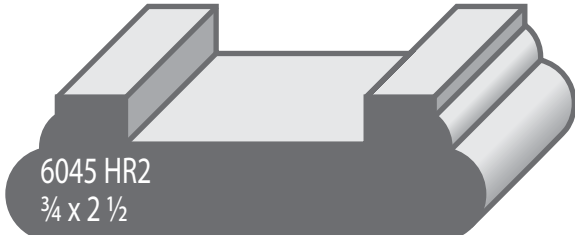
6048 HRV
1 7/16 x 5 1/8

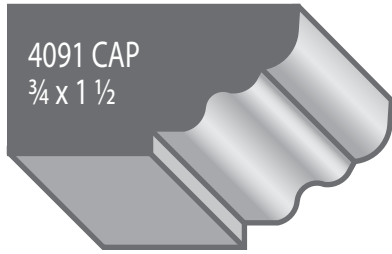


6634 HR4
1 11/16 x 6 1/2

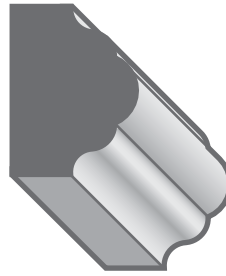




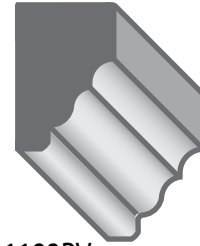




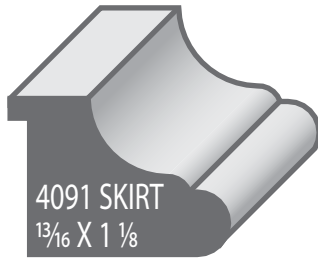
4091 CAP
 $\frac{3}{4} \times 1 \frac{1}{2}$



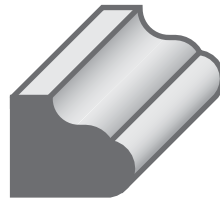
4091 NECK
 $1 \frac{1}{16} \times \frac{7}{8}$



1123PV
 $\frac{3}{4} \times 1 \frac{1}{2}$
Michael's Newel Trim



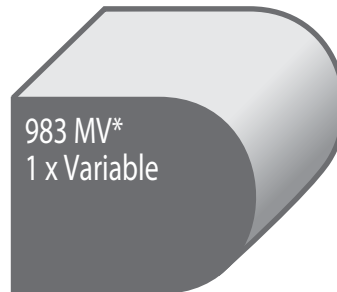
4091 SKIRT
 $1 \frac{3}{16} \times 1 \frac{1}{8}$



2091 SKIRT
 $\frac{1}{2} \times \frac{5}{8}$



4093 M1
 $1 \frac{7}{16} \times \frac{3}{4}$



983 MV*
1 x Variable